



US00D926094S

(12) **United States Design Patent** (10) **Patent No.:** **US D926,094 S**  
**Montoya Bueloni** (45) **Date of Patent:** **\*\* Jul. 27, 2021**

(54) **VEHICLE FENDER**

(71) Applicant: **VOLKSWAGEN AKTIENGESELLSCHAFT**, Wolfsburg (DE)

(72) Inventor: **Felipe Montoya Bueloni**, Wolfsburg (DE)

(73) Assignee: **VOLKSWAGEN AKTIENGESELLSCHAFT**, Wolfsburg (DE)

(\*\*) Term: **15 Years**

(21) Appl. No.: **29/733,046**

(22) Filed: **Apr. 29, 2020**

(30) **Foreign Application Priority Data**

Nov. 8, 2019 (WO) ..... WIPO89176

(51) **LOC (13) Cl.** ..... **12-16**

(52) **U.S. Cl.**  
USPC ..... **D12/184**

(58) **Field of Classification Search**

USPC ... D12/1, 14, 82, 85, 86, 88, 89, 90, 91, 92, D12/93, 96, 97, 98, 99, 164, 167, 169, D12/170, 171, 172, 173, 181, 184, 185, D12/190, 192, 196, 400; D21/533, 548, D21/552, 561

CPC ..... B62D 25/02; B62D 25/04; B62D 25/16; B62D 25/18; B62D 25/161; B62D 25/168; B62D 25/182; B60J 5/00; B60J 5/02; B60J 5/04; B60J 5/10; B60R 19/00

See application file for complete search history.

(56) **References Cited**

**U.S. PATENT DOCUMENTS**

D637,945 S \* 5/2011 Nakagawa ..... D12/169  
D700,114 S \* 2/2014 Wada ..... D12/169

(Continued)

**OTHER PUBLICATIONS**

VW ID.4, Published date Sep. 25, 2020 [online], [retrieved on May 27, 2021], Retrieved from the Internet: <https://www.motor1.com/photo/5202613/volkswagen-id4-official-pictures/> (Year: 2020).\*

*Primary Examiner* — Christian P. McLean

*Assistant Examiner* — Adam C Mager

(74) *Attorney, Agent, or Firm* — Lucas & Mercanti, LLP; Klaus P. Stoffel

(57) **CLAIM**

The ornamental design for a vehicle fender, as shown and described.

**DESCRIPTION**

FIG. 1 is a front view of a first embodiment of the vehicle fender of the present invention;

FIG. 2 is a front and left side perspective view thereof;

FIG. 3 is a front and right side perspective view thereof;

FIG. 4 is a right side view thereof;

FIG. 5 is a left side view thereof;

FIG. 6 is a rear view thereof;

FIG. 7 is a rear and left side perspective view thereof;

FIG. 8 is a rear and right side perspective view thereof;

FIG. 9 is a top view thereof;

FIG. 10 is a bottom view thereof;

FIG. 11 is a front view of a second embodiment of the vehicle fender of the present invention, which is a mirror image of the first embodiment;

FIG. 12 is a front and right side perspective view thereof;

FIG. 13 is a front and left side perspective view thereof;

FIG. 14 is a right side view thereof;

FIG. 15 is a left side view thereof;

FIG. 16 is a rear view thereof;

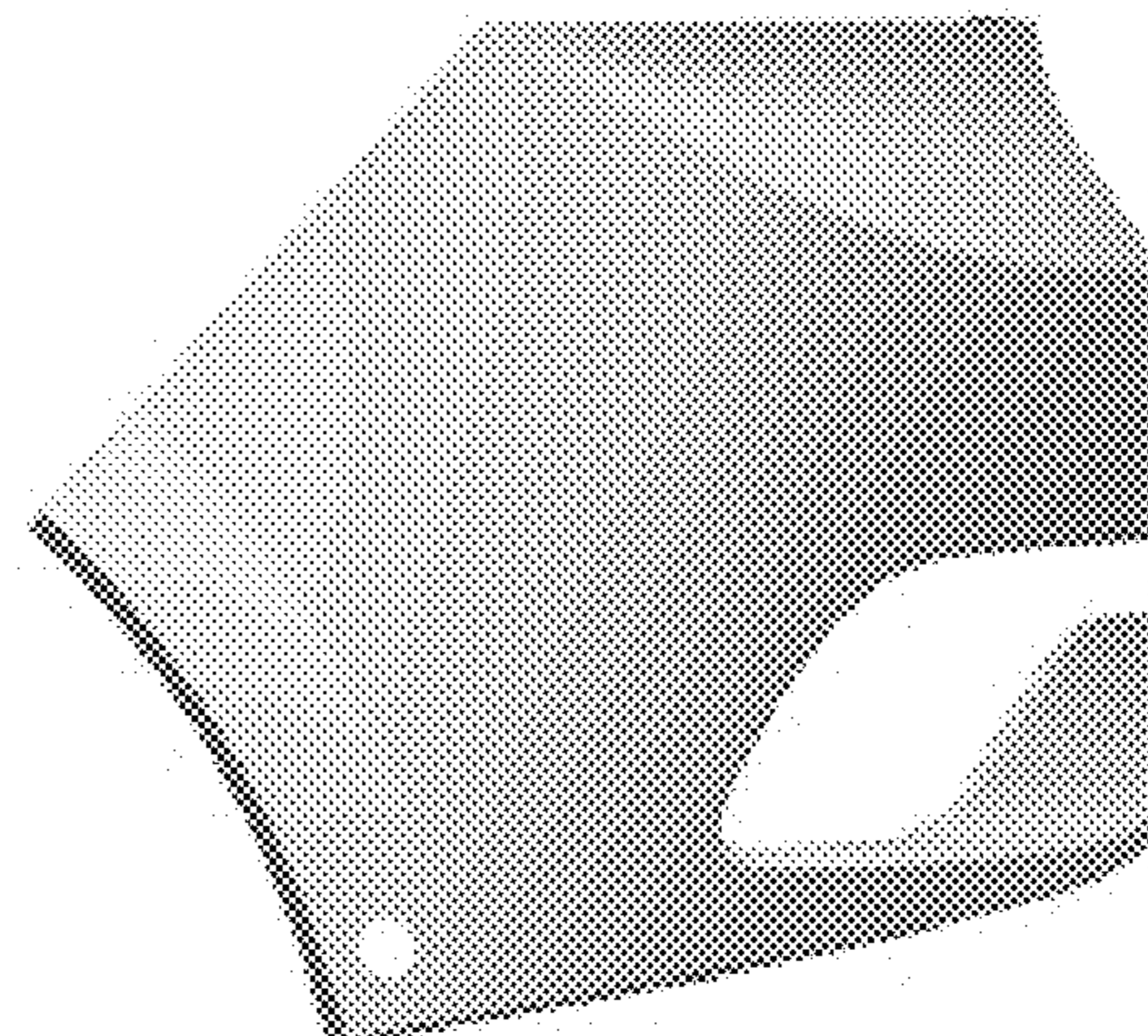
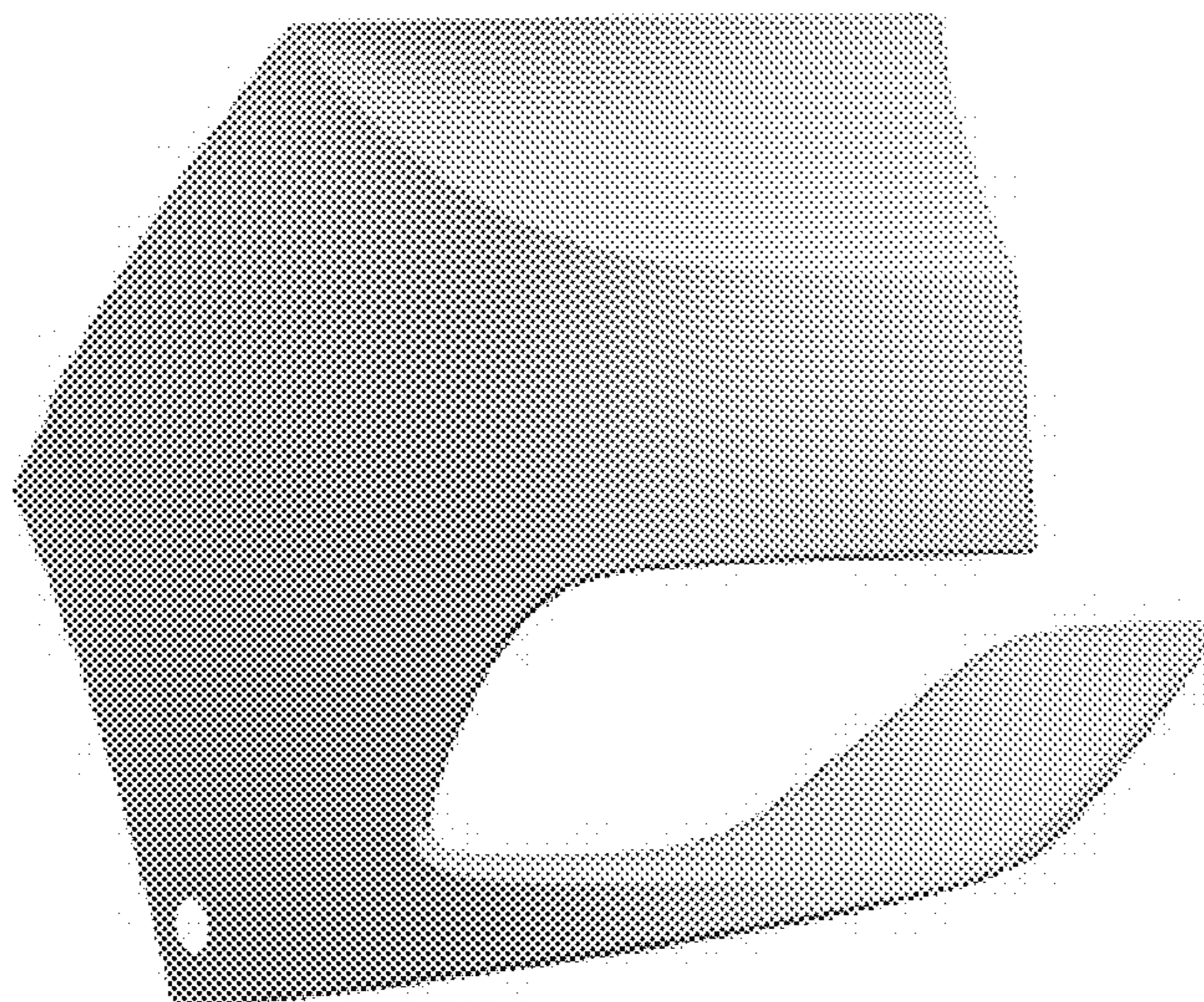
FIG. 17 is a rear and left side perspective view thereof;

FIG. 18 is a rear and right side perspective view thereof;

FIG. 19 is a top view thereof; and,

FIG. 20 is a bottom view thereof.

**1 Claim, 10 Drawing Sheets**



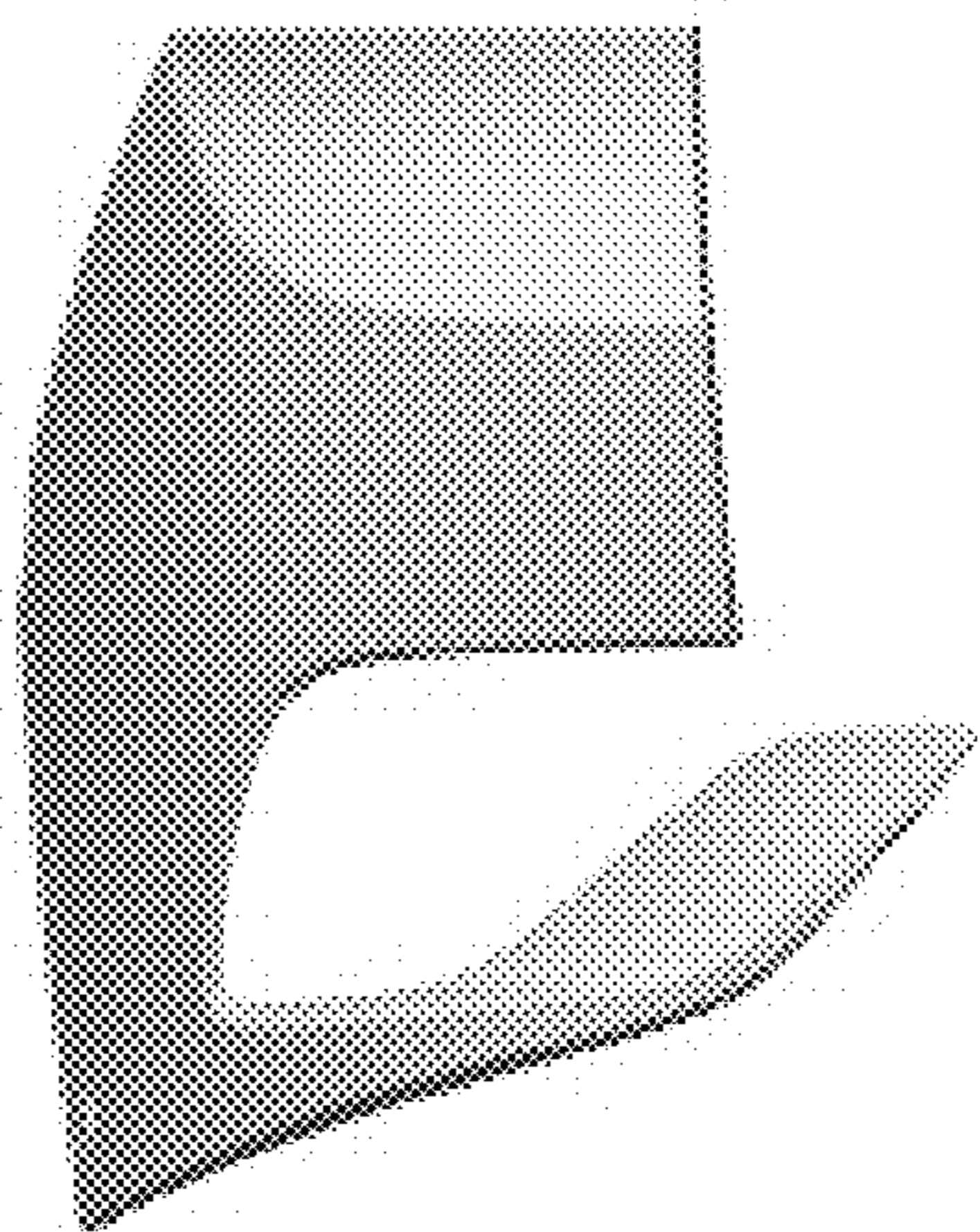
(56)

## References Cited

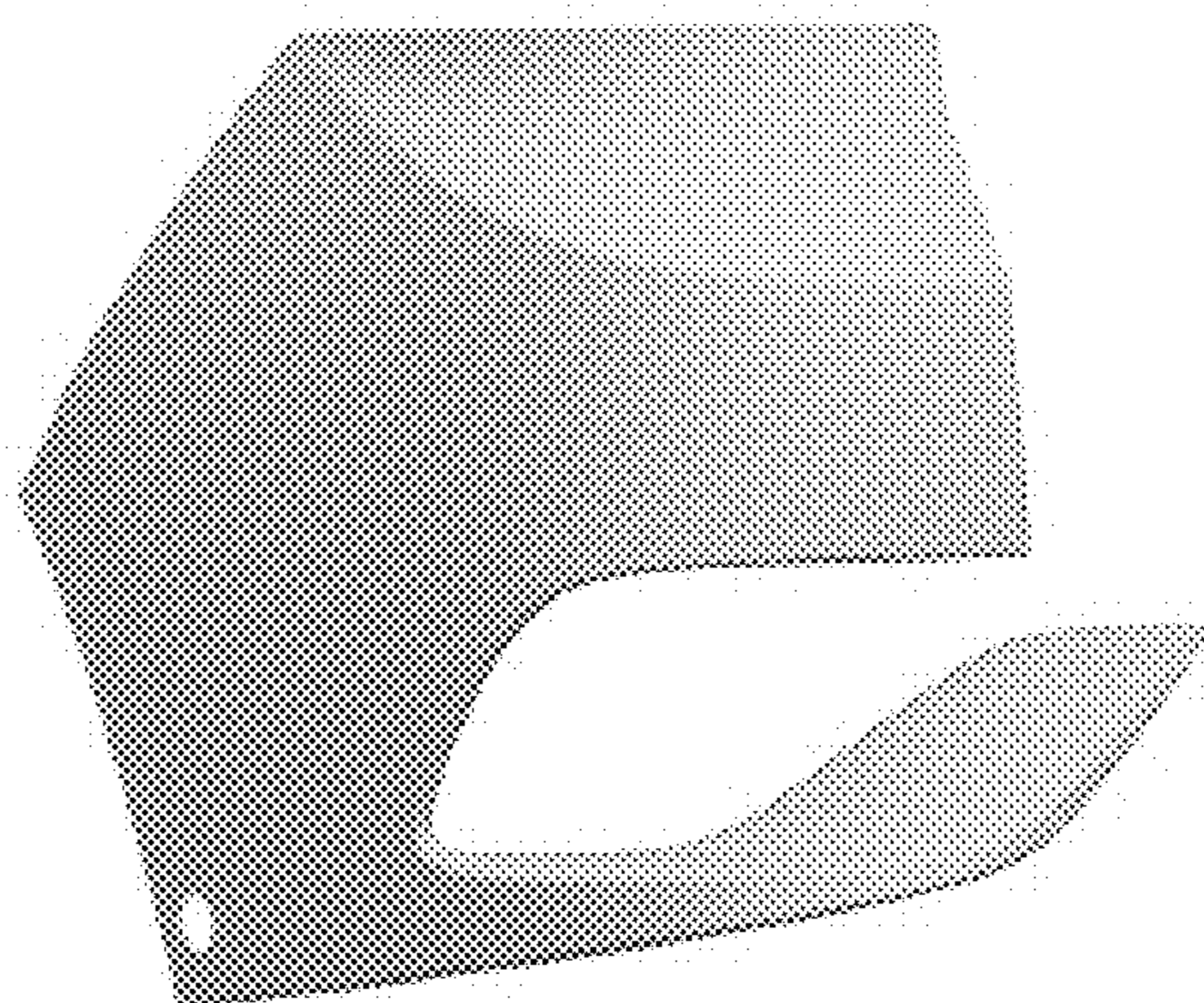
## U.S. PATENT DOCUMENTS

D708,998	S	*	7/2014	Mays	.....	D12/169
D722,925	S	*	2/2015	Kato	.....	D12/169
D733,624	S	*	7/2015	Morikawa	.....	D12/169
D744,912	S	*	12/2015	Leclercq	.....	D12/169
D750,000	S	*	2/2016	Han	.....	D12/169
D756,862	S	*	5/2016	Wada	.....	D12/169
D762,533	S	*	8/2016	Tsutamori	.....	D12/169
D763,145	S	*	8/2016	Tsutamori	.....	D12/169
D763,146	S	*	8/2016	Tsutamori	.....	D12/169
D772,117	S	*	11/2016	Davidson	.....	D12/169
D772,122	S	*	11/2016	Zurian	.....	D12/169
D773,965	S	*	12/2016	Morikawa	.....	D12/169
D783,472	S	*	4/2017	Ishii	.....	D12/169
D784,867	S	*	4/2017	Sahara	.....	D12/169
D786,148	S	*	5/2017	Kawaguchi	.....	D12/169
D814,369	S	*	4/2018	Loeb	.....	D12/169
D815,997	S	*	4/2018	Ishii	.....	D12/169
D819,519	S	*	6/2018	Whitla	.....	D12/169
D820,175	S	*	6/2018	Ishigaki	.....	D12/169
D826,114	S	*	8/2018	Smith	.....	D12/169
D835,549	S	*	12/2018	Tamura	.....	D12/169
D839,153	S	*	1/2019	Wada	.....	D12/169
D843,898	S	*	3/2019	Luk	.....	D12/169
D851,557	S	*	6/2019	Thurber	.....	D12/169
D851,562	S	*	6/2019	Andoh	.....	D12/169
D856,222	S	*	8/2019	Thogersen	.....	D12/169
D856,871	S	*	8/2019	Takeda	.....	D12/169
D868,650	S	*	12/2019	Gifford	.....	D12/169
D877,668	S	*	3/2020	Bucher	.....	D12/169
D890,646	S	*	7/2020	Owens	.....	D12/169
D902,800	S	*	11/2020	Gay	.....	D12/169

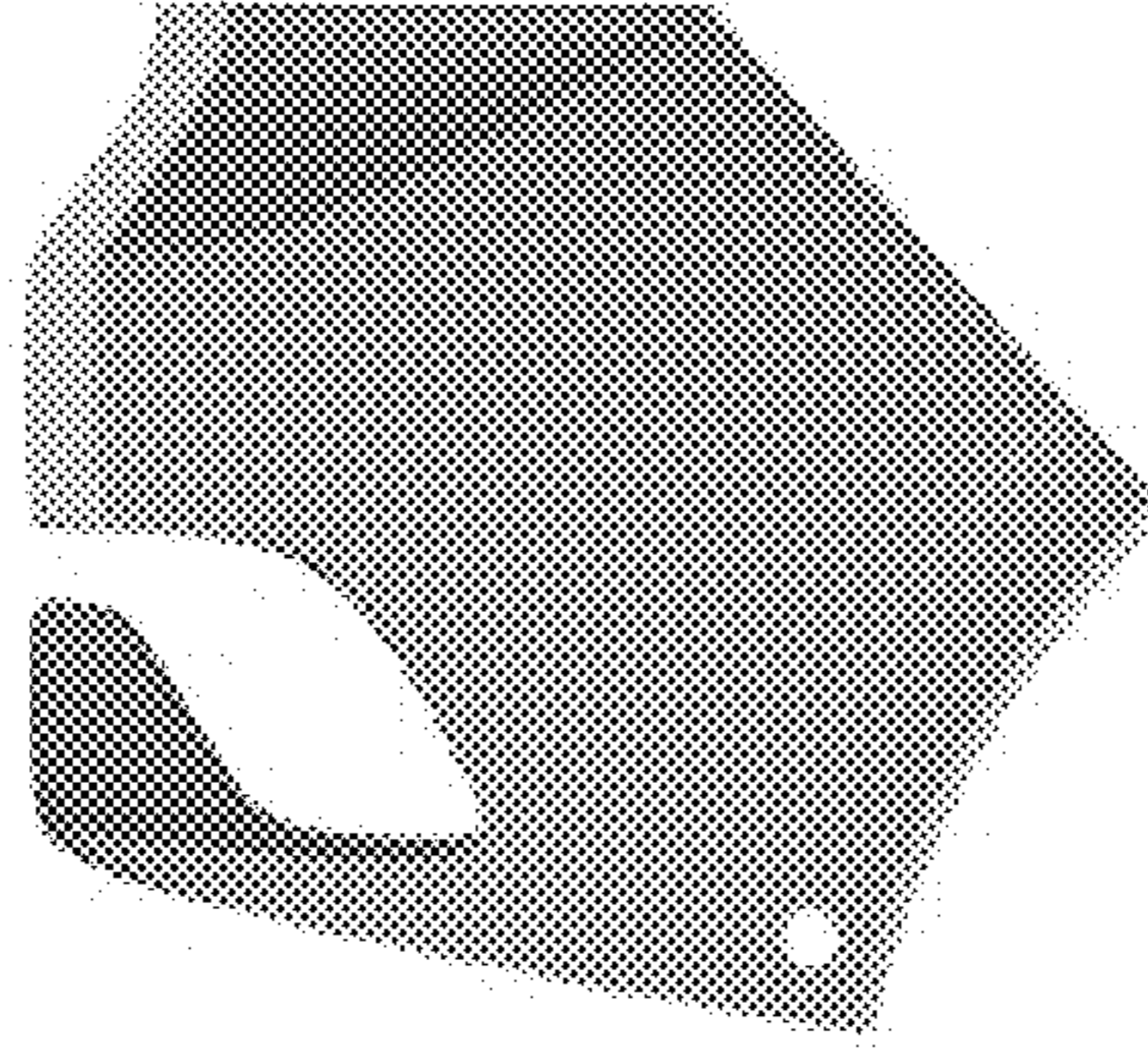
\* cited by examiner



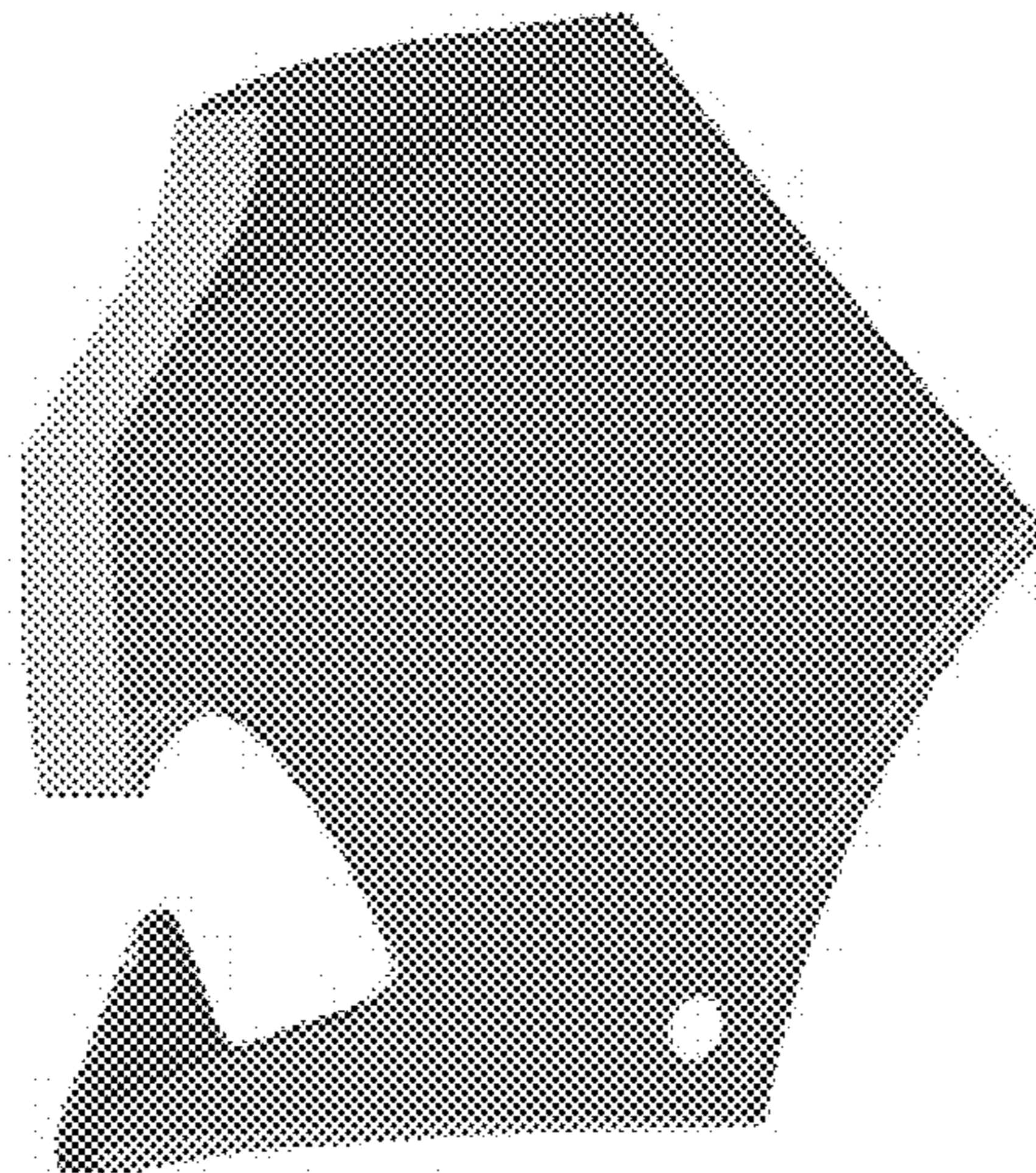
**Fig. 1**



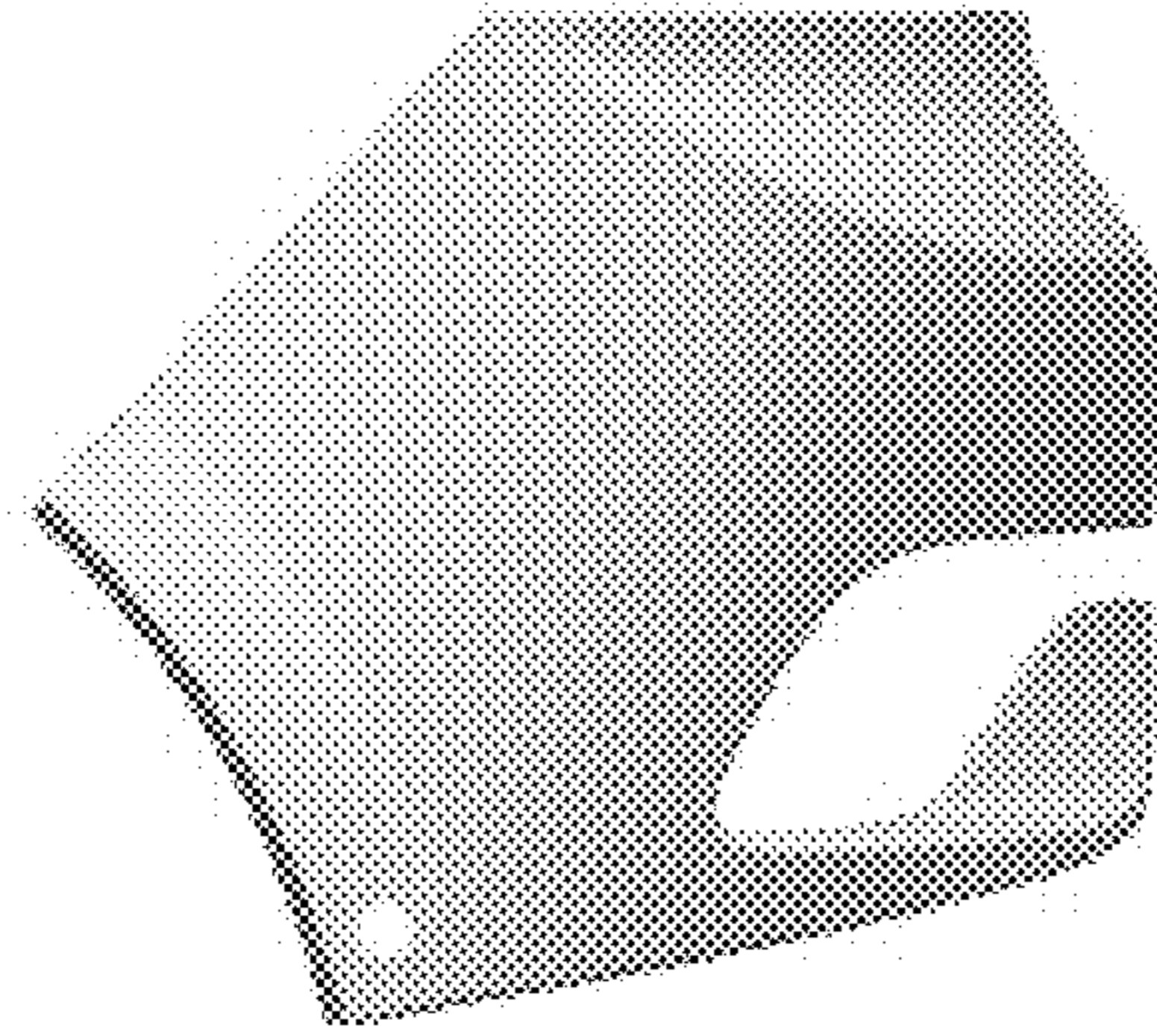
**Fig. 2**



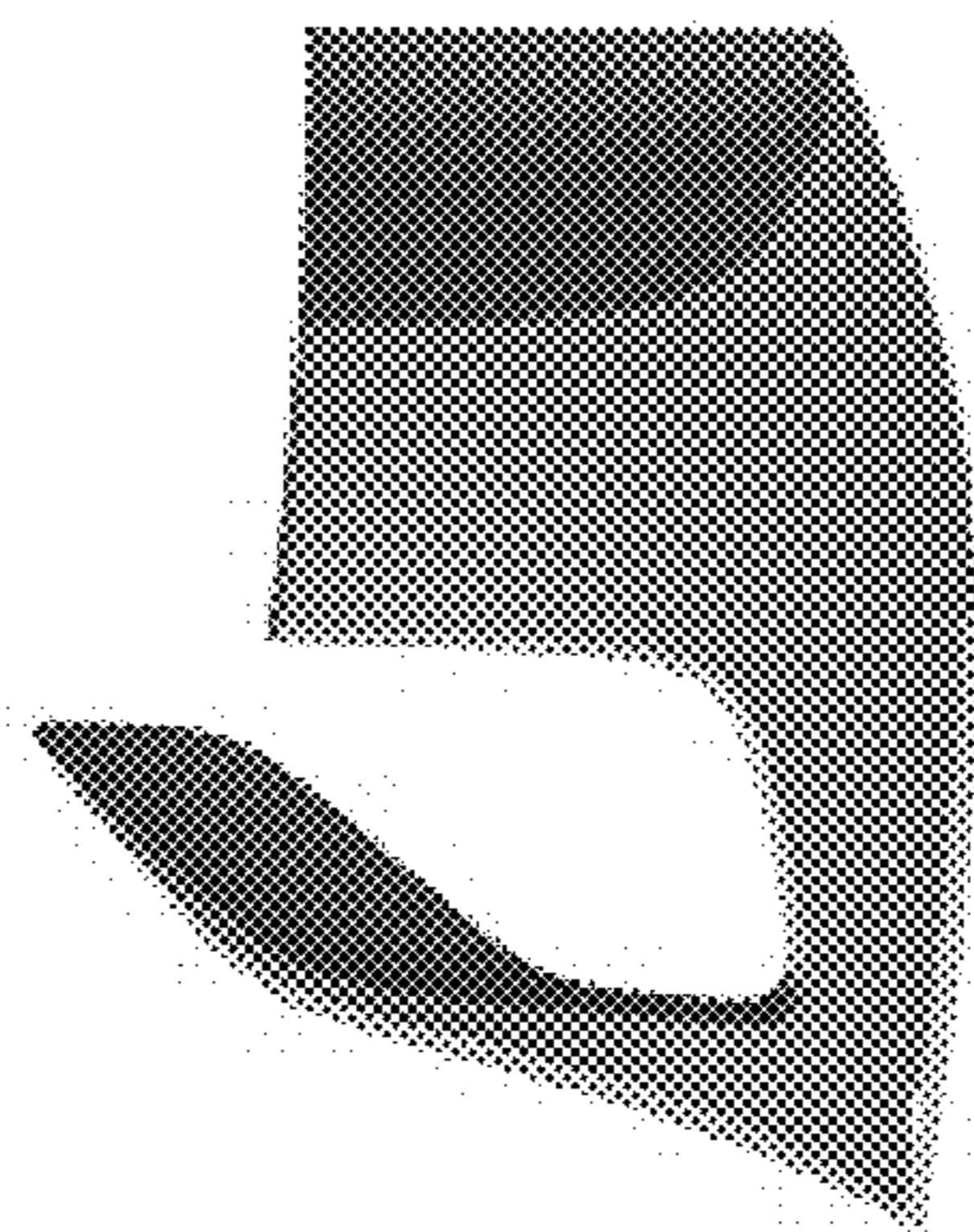
**Fig. 3**



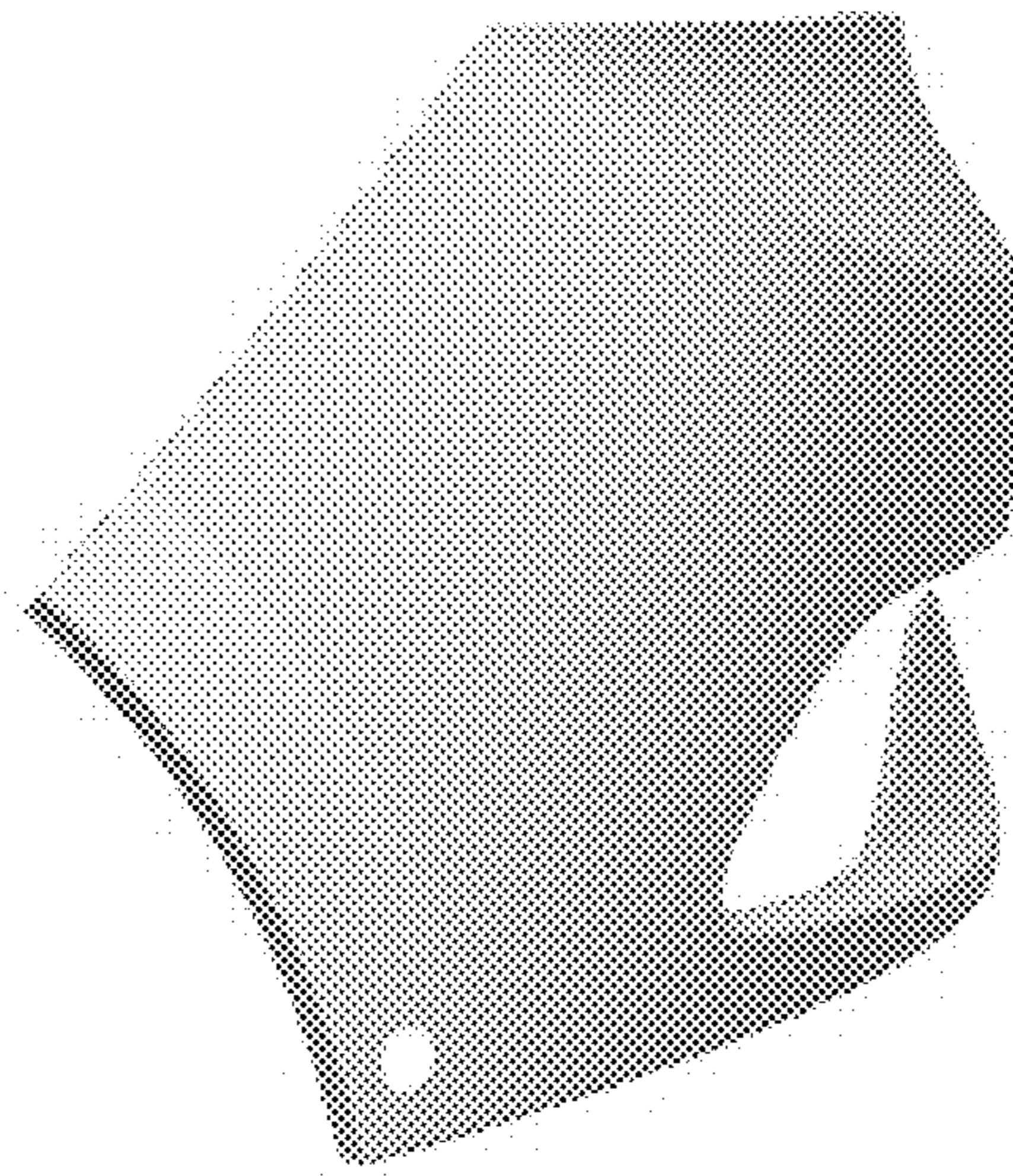
**Fig. 4**



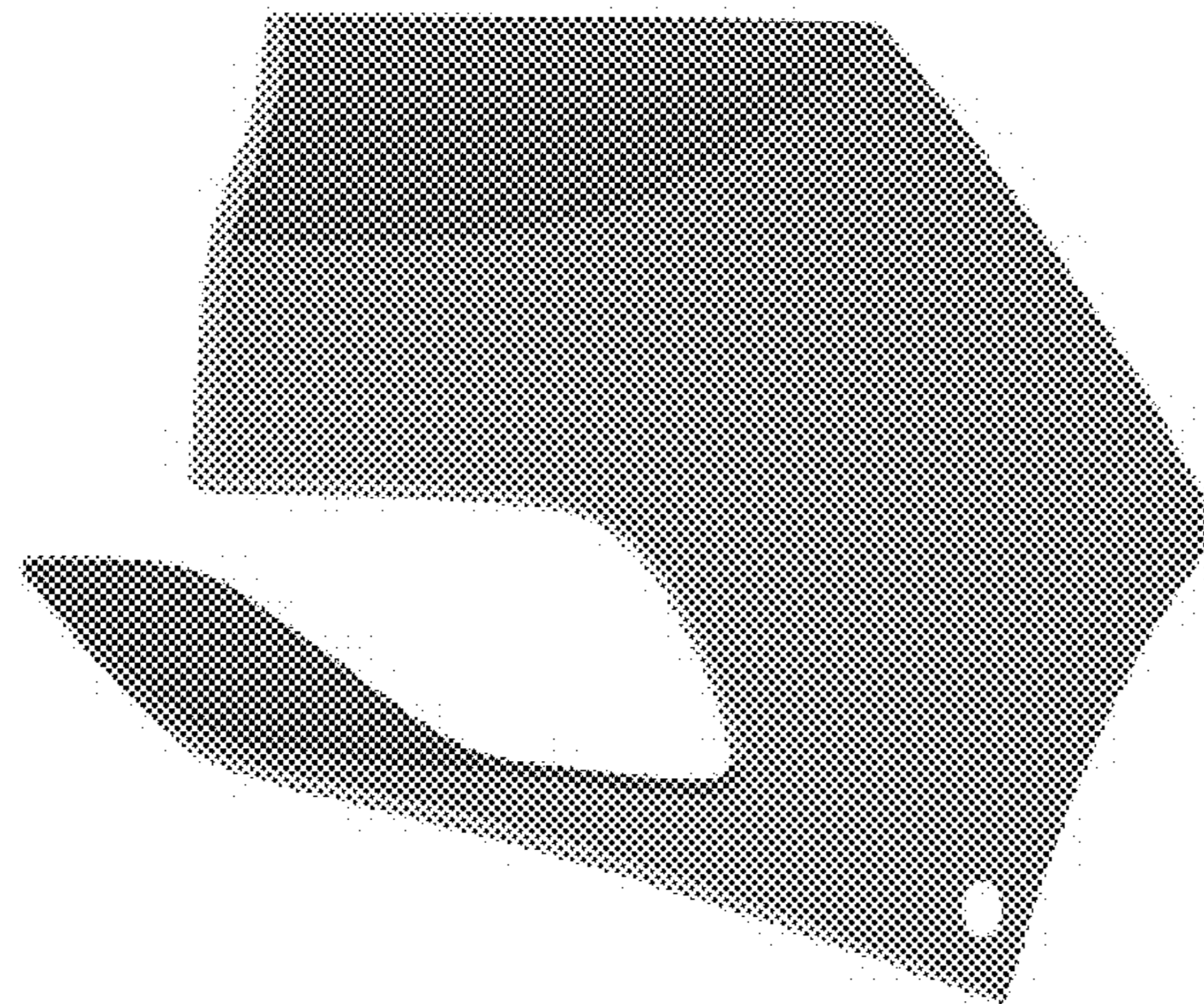
**Fig. 5**



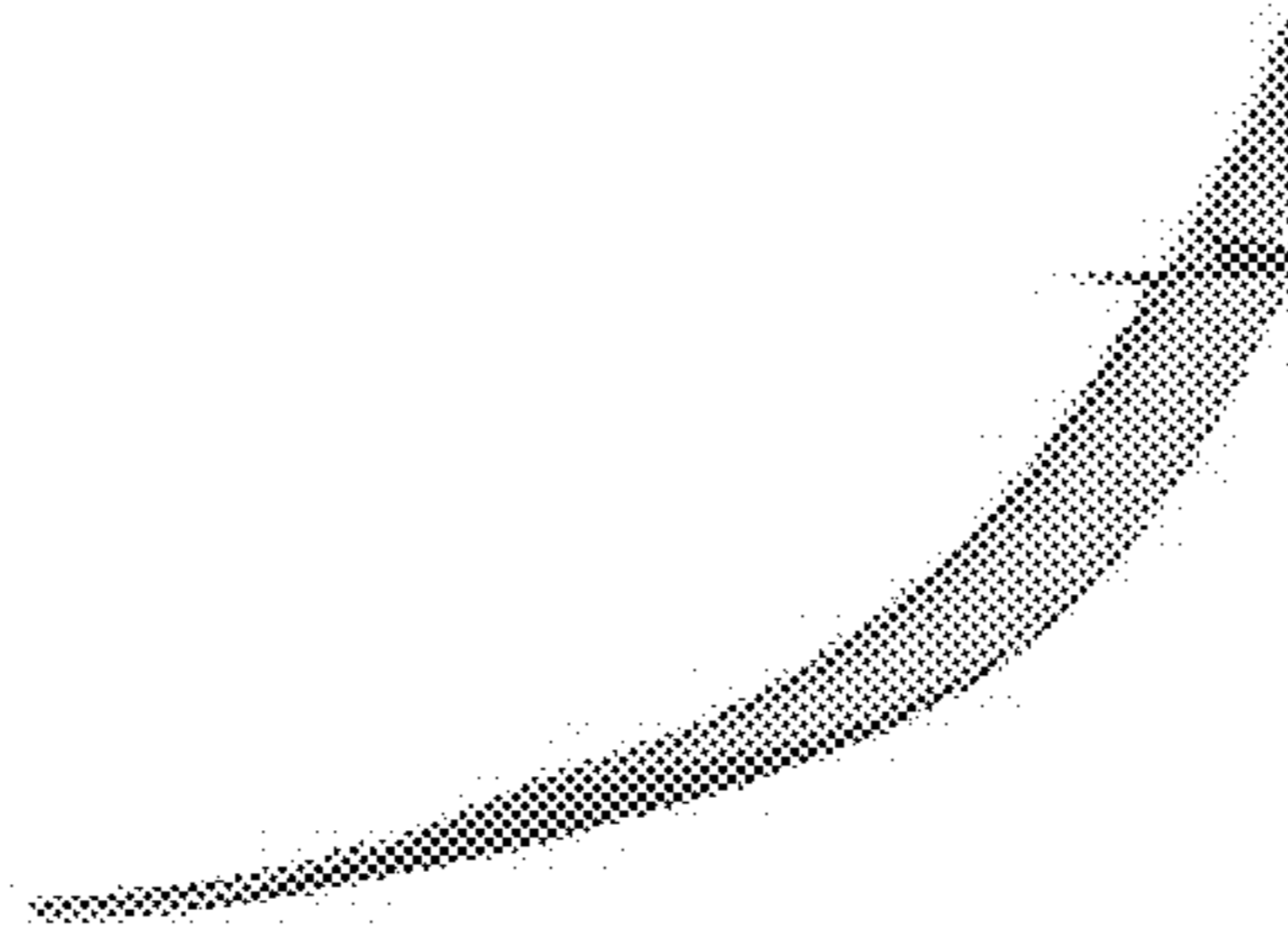
**Fig. 6**



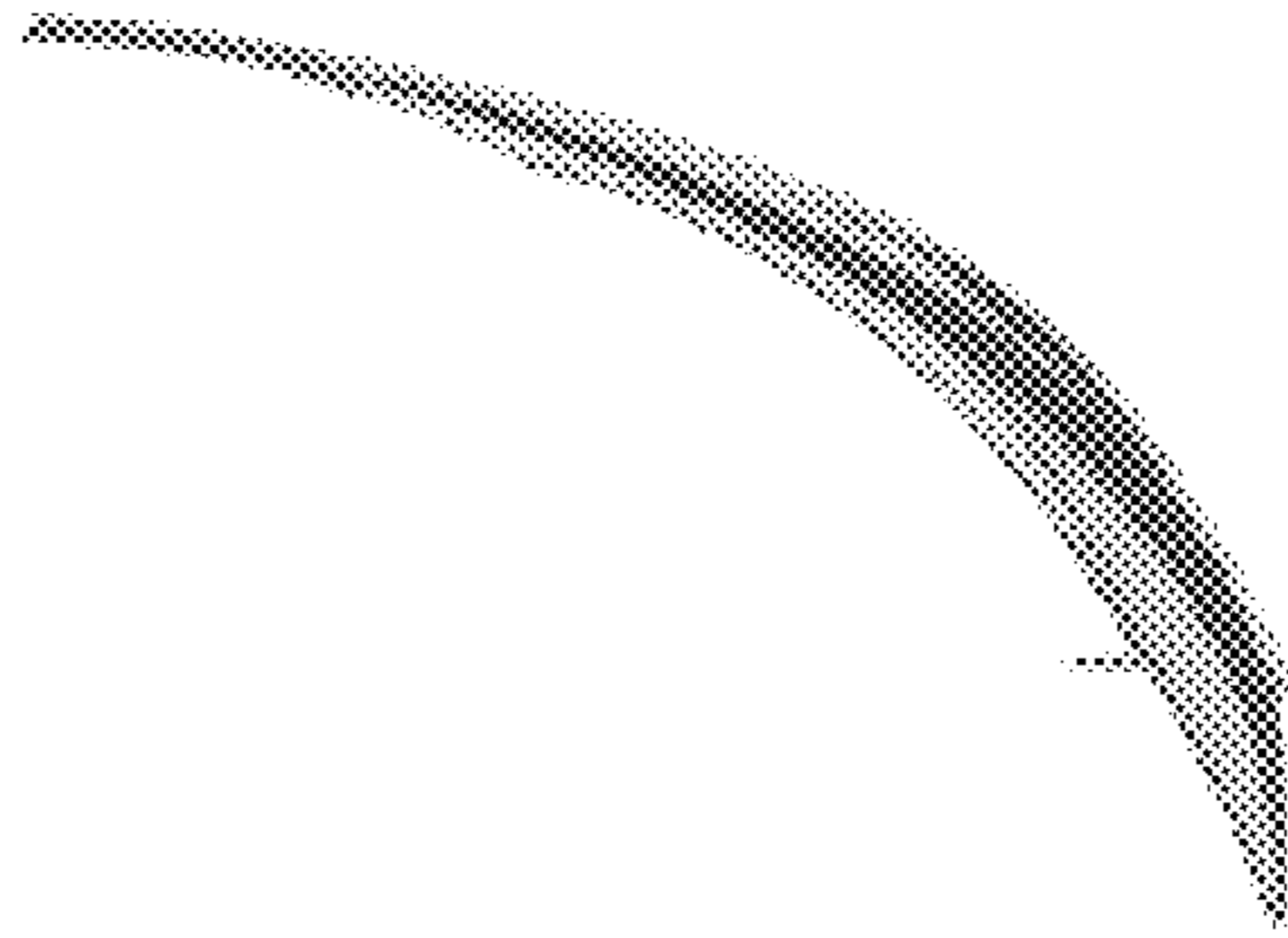
**Fig. 7**



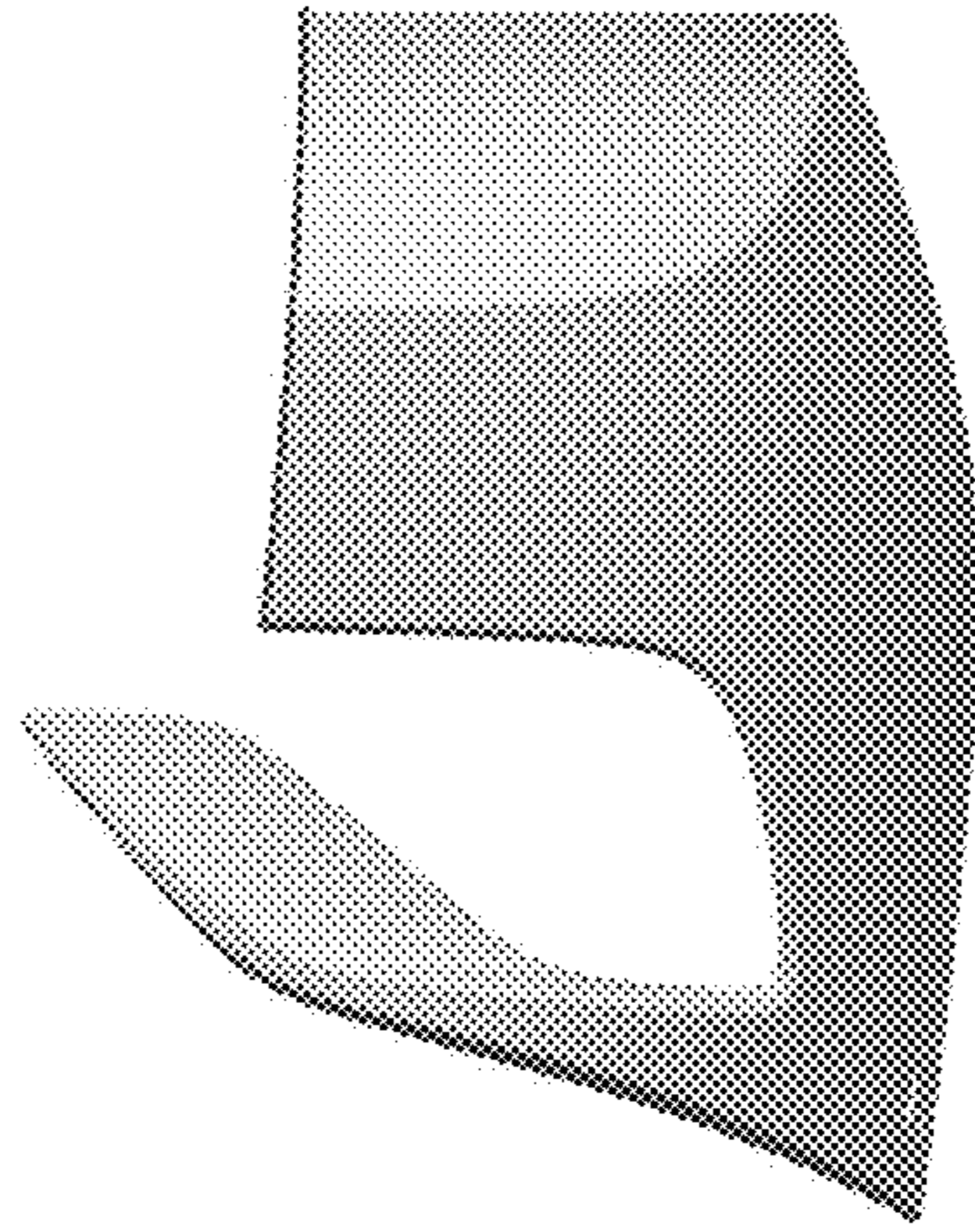
**Fig. 8**



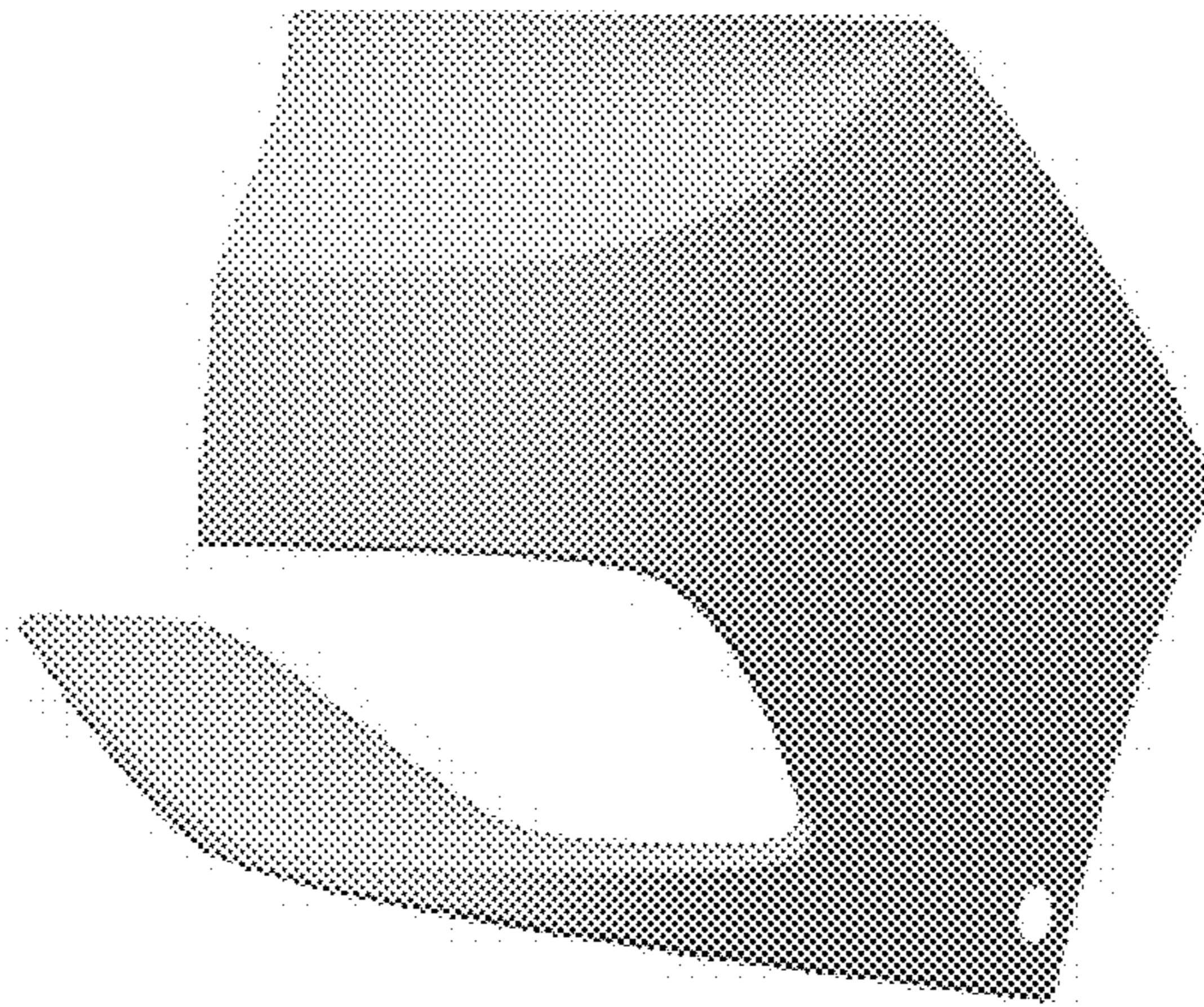
**Fig. 9**



**Fig. 10**

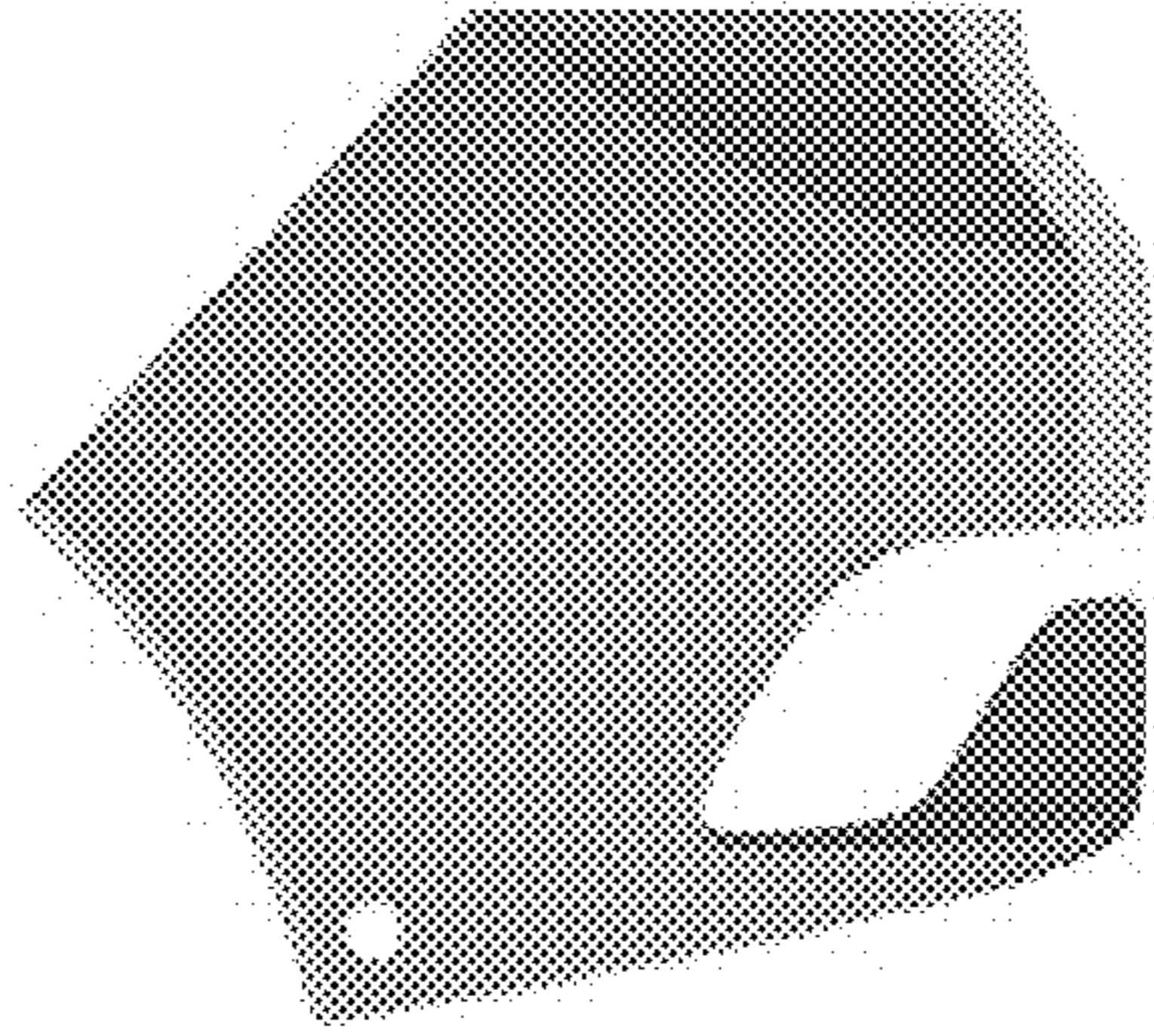


**Fig. 11**

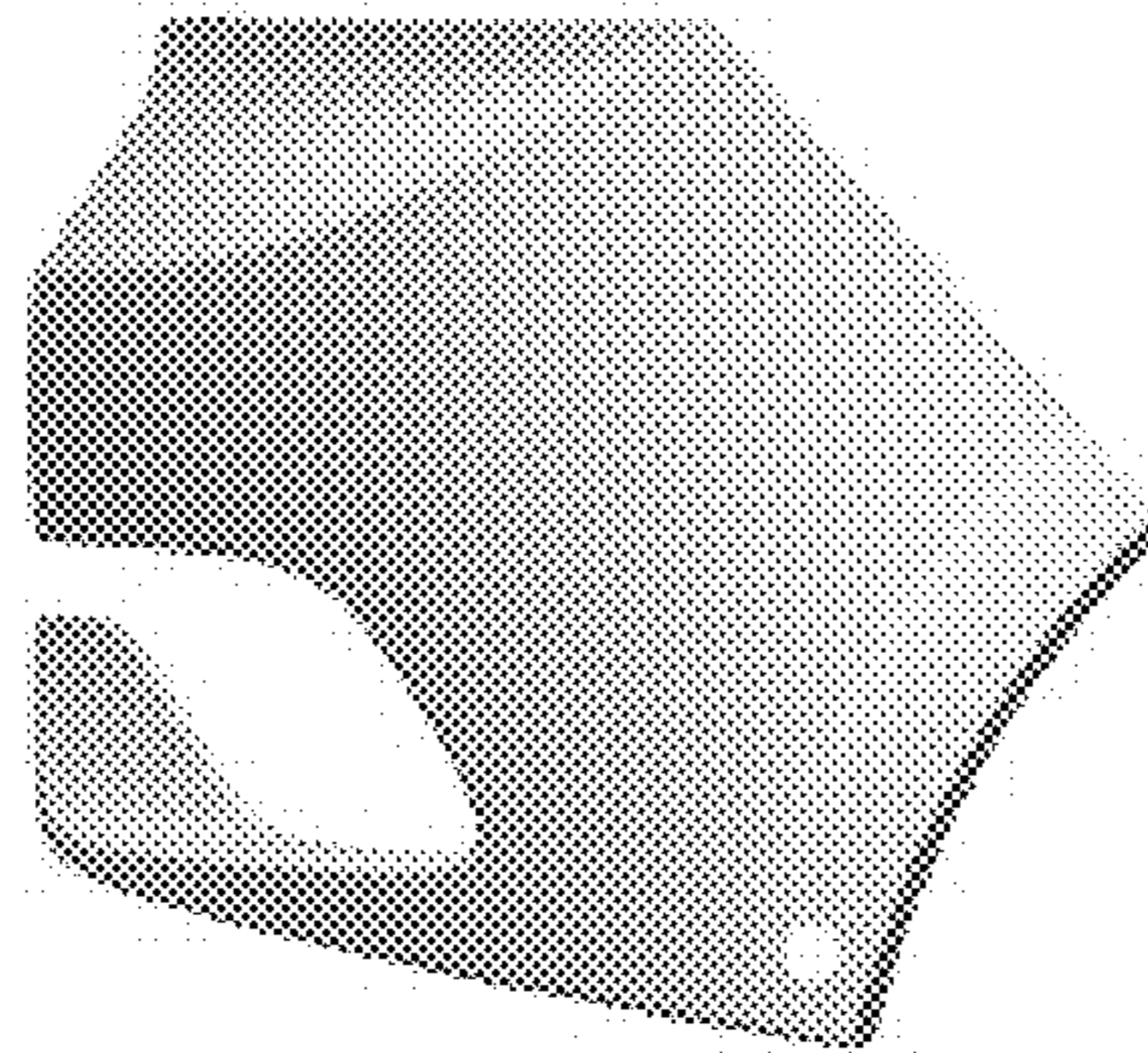


**Fig. 12**

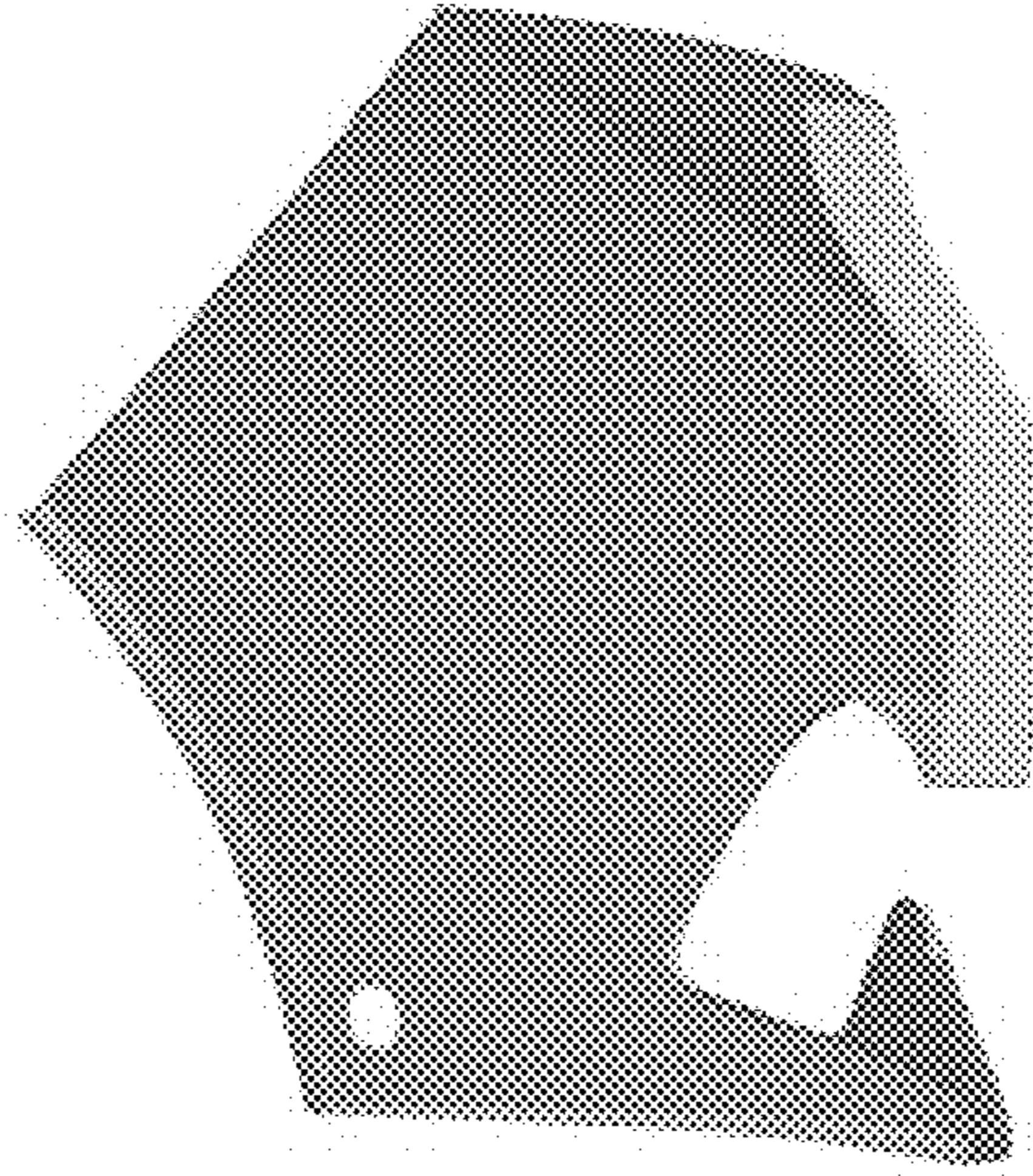




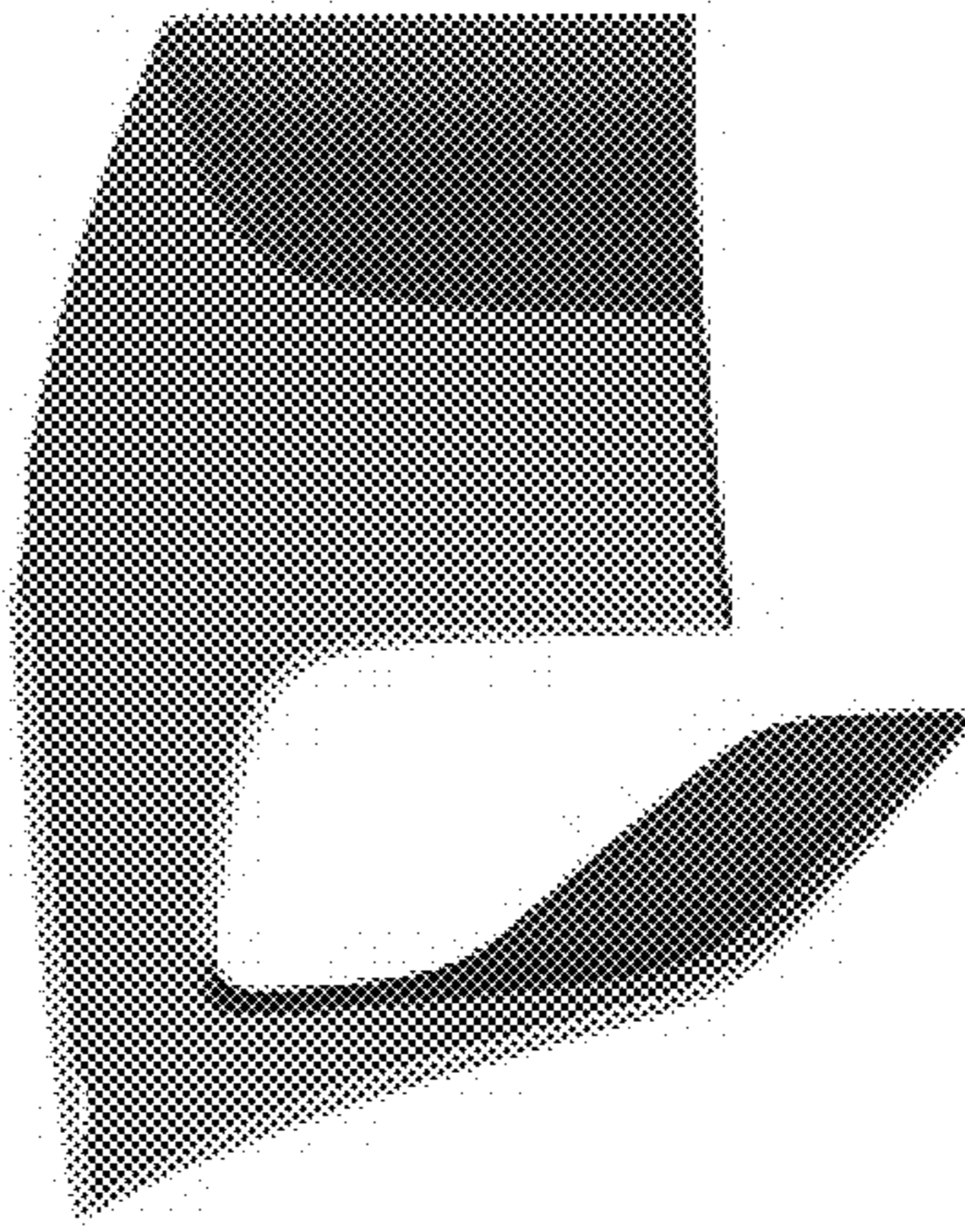
**Fig. 13**



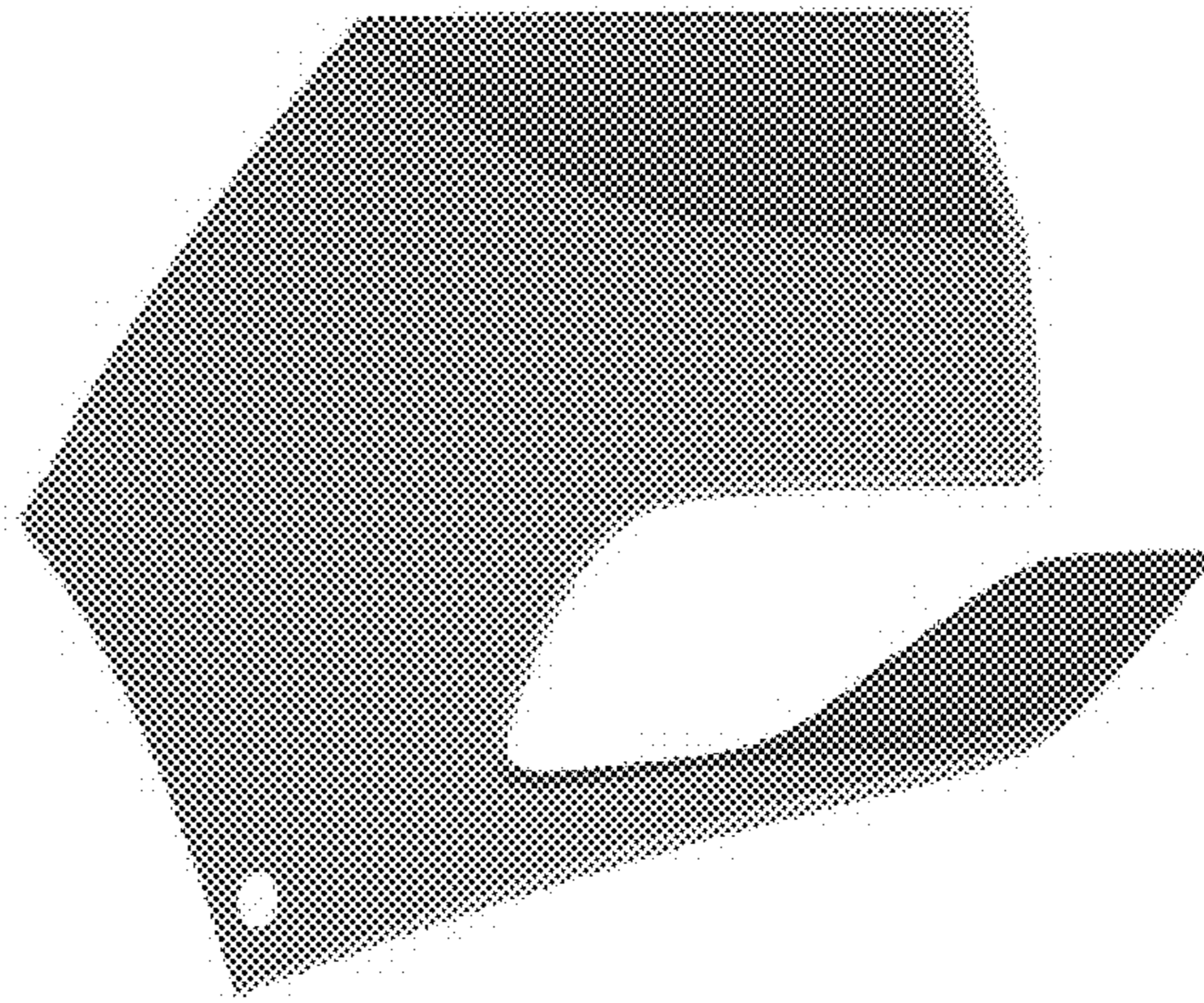
**Fig. 14**



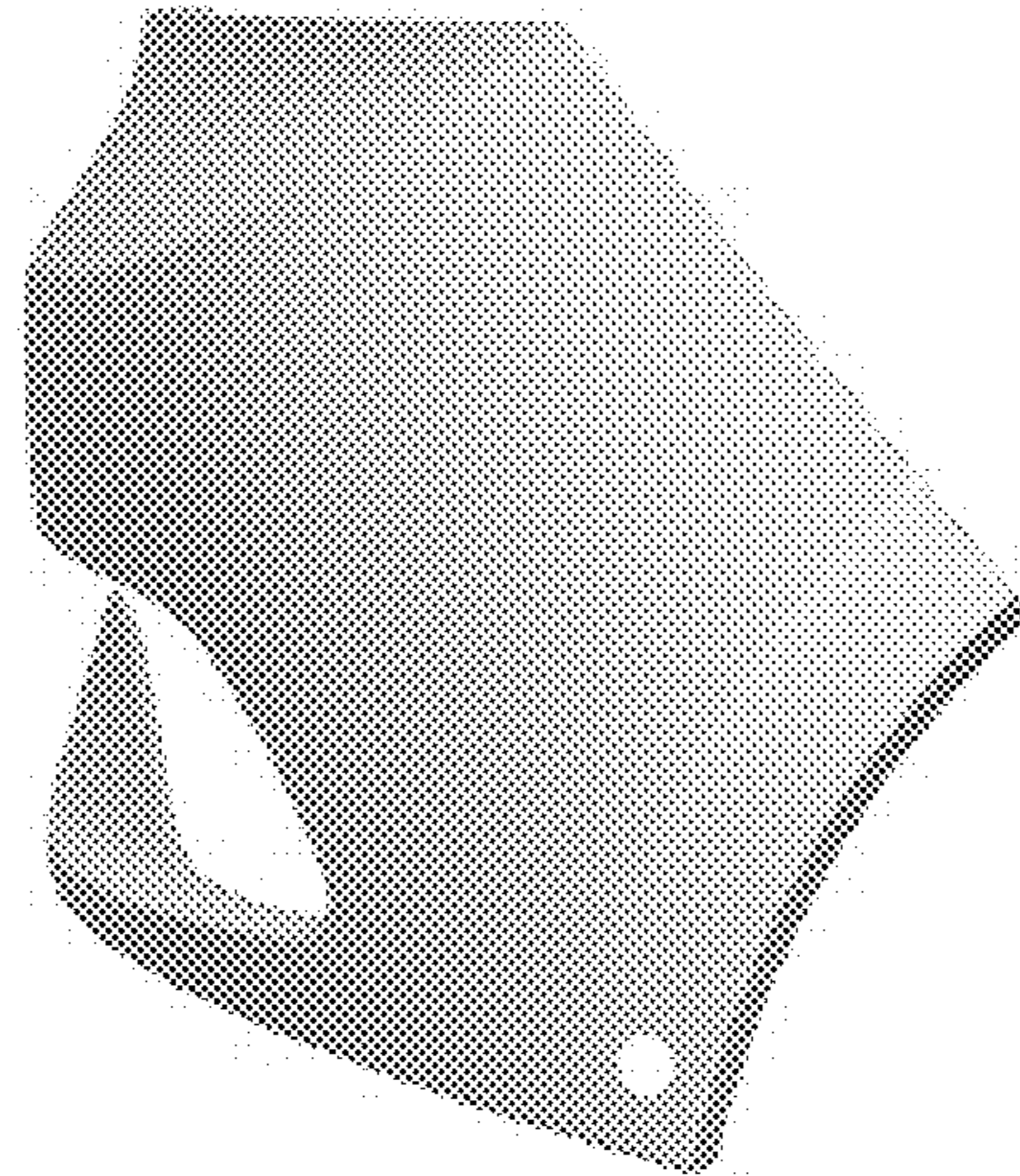
**Fig. 15**



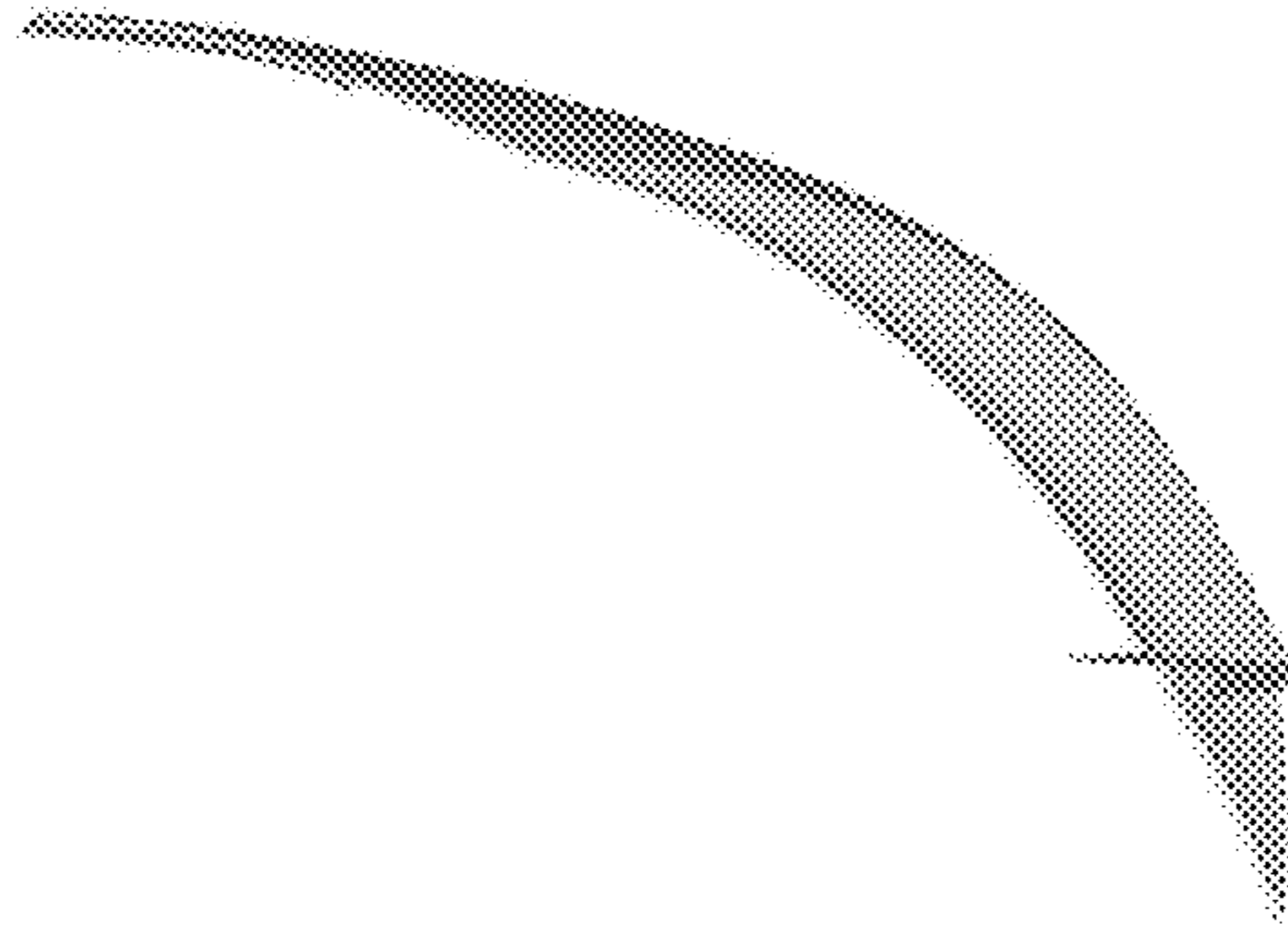
**Fig. 16**



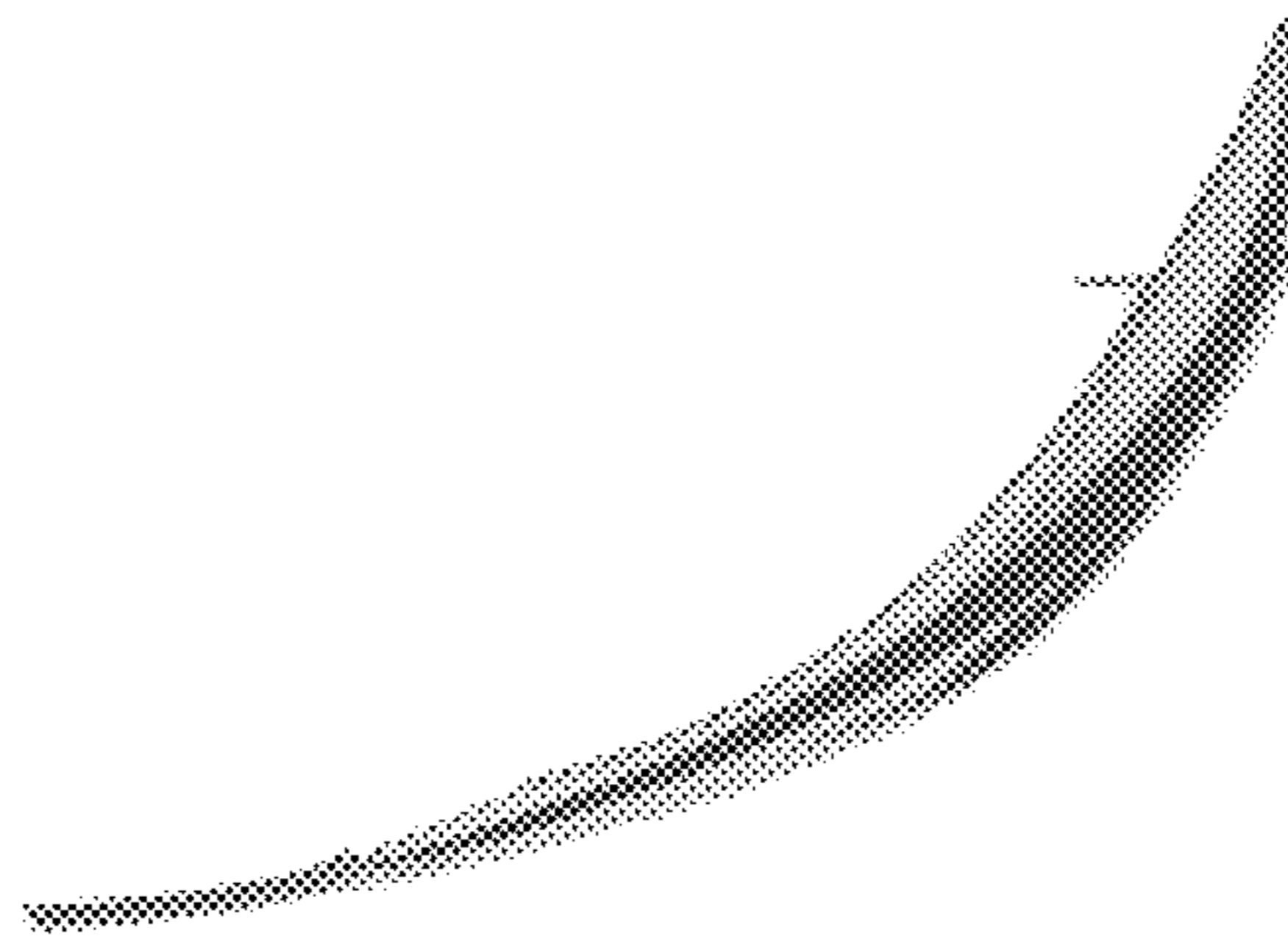
**Fig. 17**



**Fig. 18**



**Fig. 19**



**Fig. 20**