



US00D926089S

(12) **United States Design Patent** (10) **Patent No.:** **US D926,089 S**  
**Zurian** (45) **Date of Patent:** **\*\* Jul. 27, 2021**

(54) **FRONT BUMPER FOR A VEHICLE**  
(71) Applicant: **Bayerische Motoren Werke Aktiengesellschaft, Munich (DE)**  
(72) Inventor: **Khrystyne Zurian, Munich (DE)**  
(73) Assignee: **Bayerische Motoren Werke Aktiengesellschaft, Munich (DE)**

D820,172 S 6/2018 Szavits  
D840,299 S \* 2/2019 Dewitt ..... D12/169  
D847,046 S \* 4/2019 Whitla ..... D12/169  
D874,991 S \* 2/2020 Park ..... D12/169  
D876,998 S \* 3/2020 Harriton ..... D12/169  
D882,467 S \* 4/2020 Matsumoto ..... D12/169  
D882,468 S \* 4/2020 Sperling ..... D12/169

(\*\*) Term: **15 Years**

(21) Appl. No.: **29/722,599**

(22) Filed: **Jan. 31, 2020**

(30) **Foreign Application Priority Data**

Aug. 5, 2019 (DE) ..... 402019100843.8

(51) **LOC (13) Cl.** ..... **12-16**

(52) **U.S. Cl.**  
USPC ..... **D12/169**

(58) **Field of Classification Search**  
USPC ..... D12/169, 163, 196, 86, 90-92;  
296/180.1, 180.2; 293/102, 113, 115,  
293/117, 120  
CPC ..... B60R 2019/25; B62D 25/084  
See application file for complete search history.

(56) **References Cited**

**U.S. PATENT DOCUMENTS**

D807,256 S \* 1/2018 Piscitelli ..... D12/169  
D817,235 S \* 5/2018 Bucher ..... D12/169

**FOREIGN PATENT DOCUMENTS**

WO WO DM/069221 2/2008

\* cited by examiner

*Primary Examiner* — Melody N Brown

(74) *Attorney, Agent, or Firm* — Crowell & Moring LLP

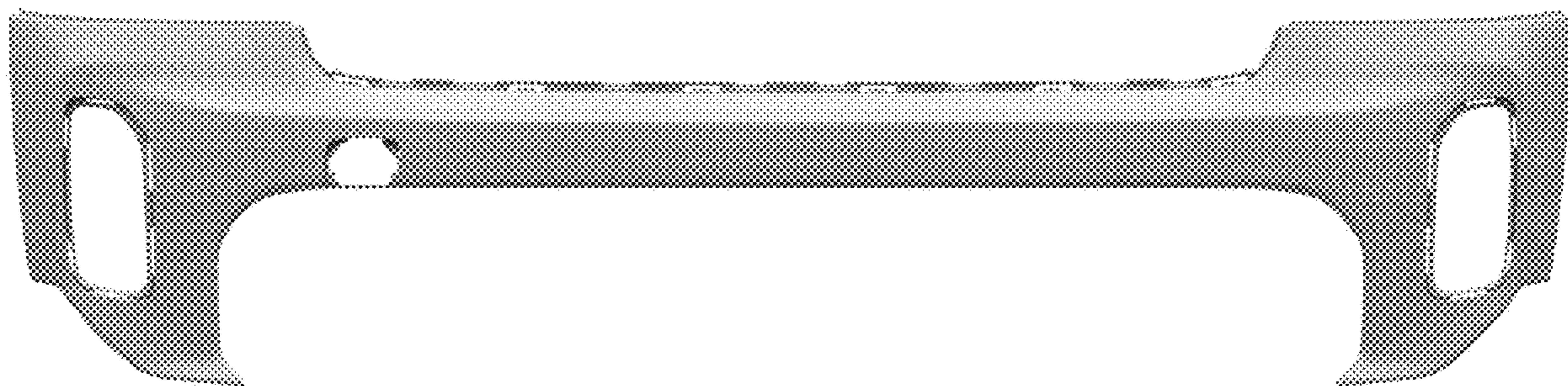
(57) **CLAIM**

The ornamental design for a front bumper for a vehicle, as shown and described.

**DESCRIPTION**

FIG. 1 is a front view of a front bumper for a vehicle according to the design;  
FIG. 2 is a right, front perspective view thereof;  
FIG. 3 is a left, bottom perspective view thereof;  
FIG. 4 is a right side view thereof;  
FIG. 5 is a left side view thereof;  
FIG. 6 is a top view thereof;  
FIG. 7 is a bottom view thereof; and,  
FIG. 8 is a rear view thereof.

**1 Claim, 8 Drawing Sheets**



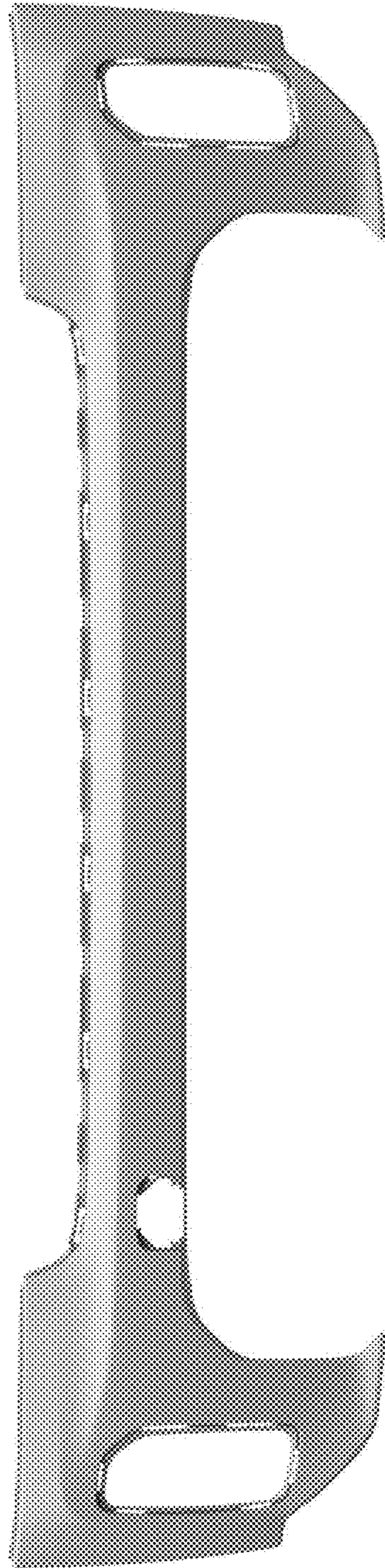


Fig. 1

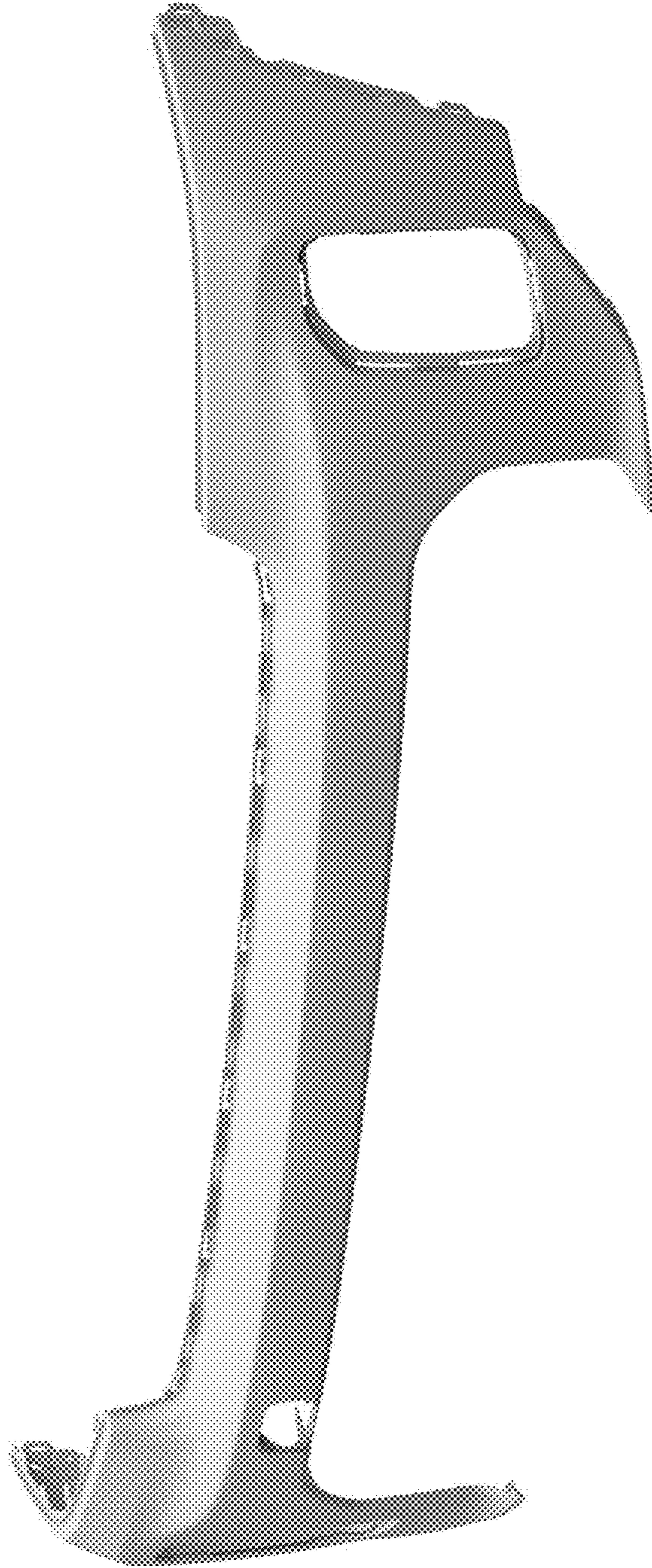


Fig. 2

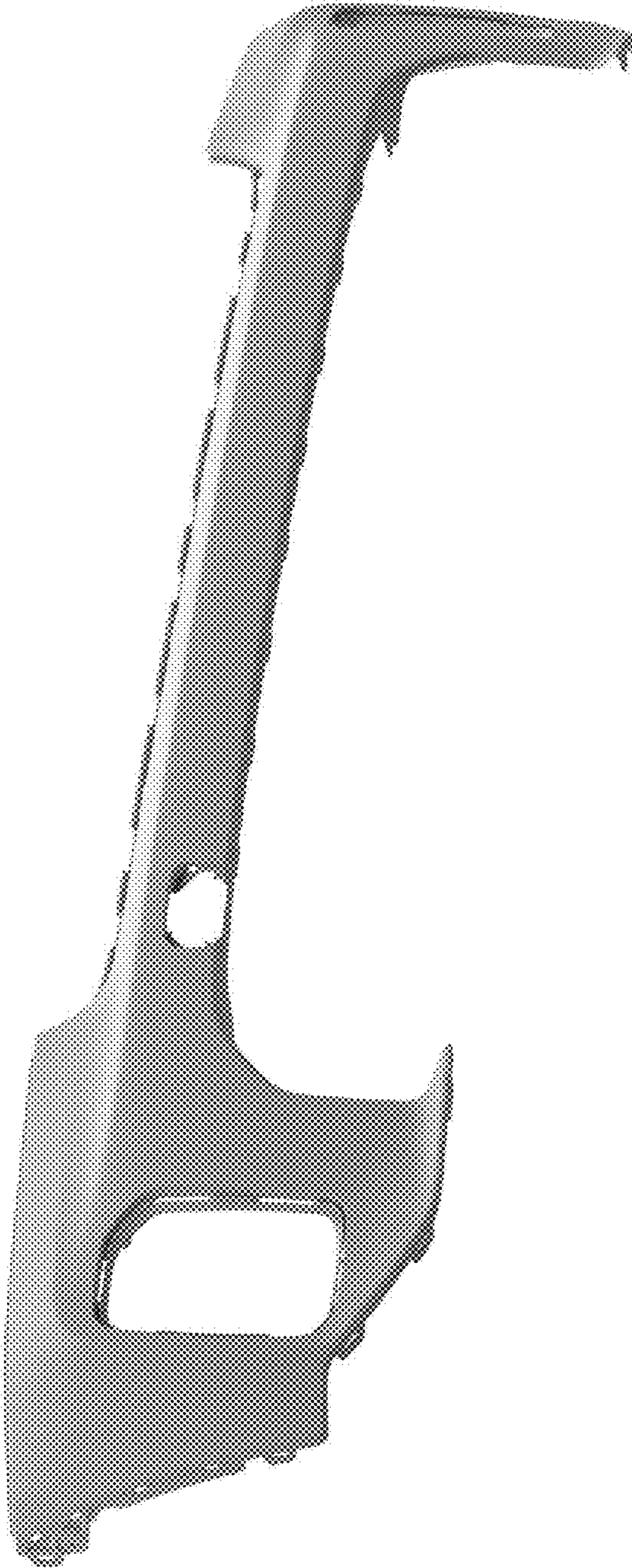


Fig. 3

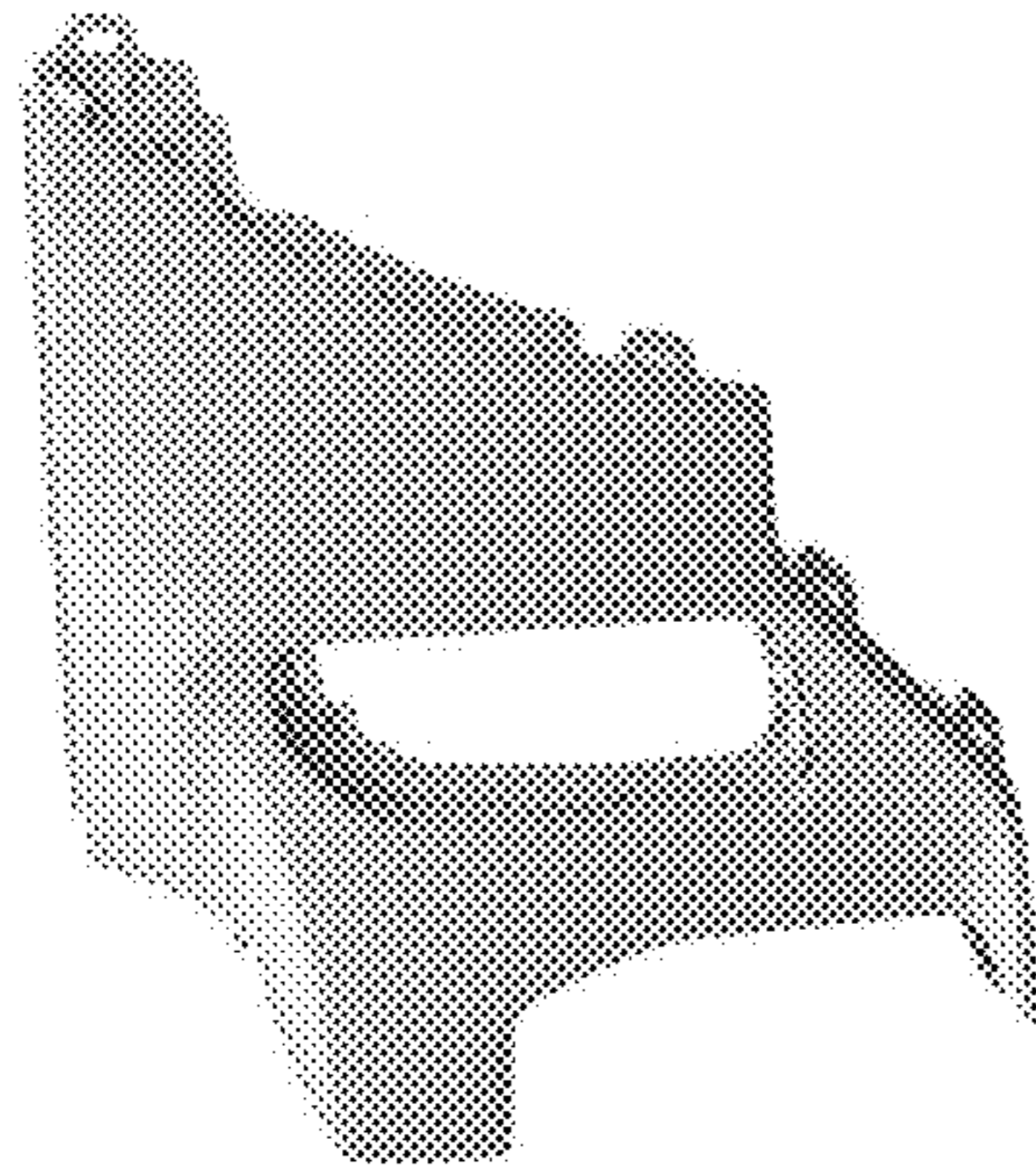


Fig. 4

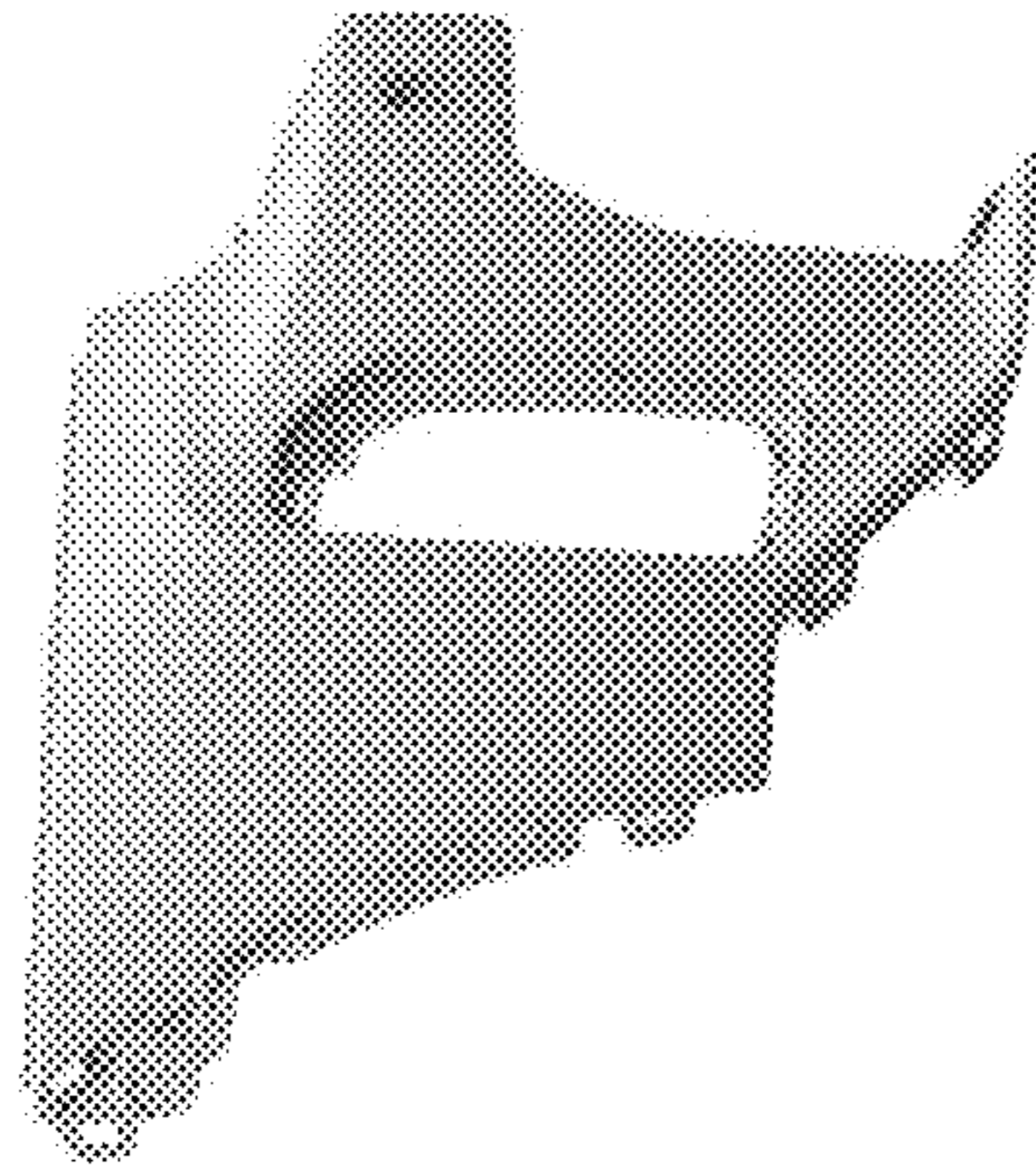


Fig. 5

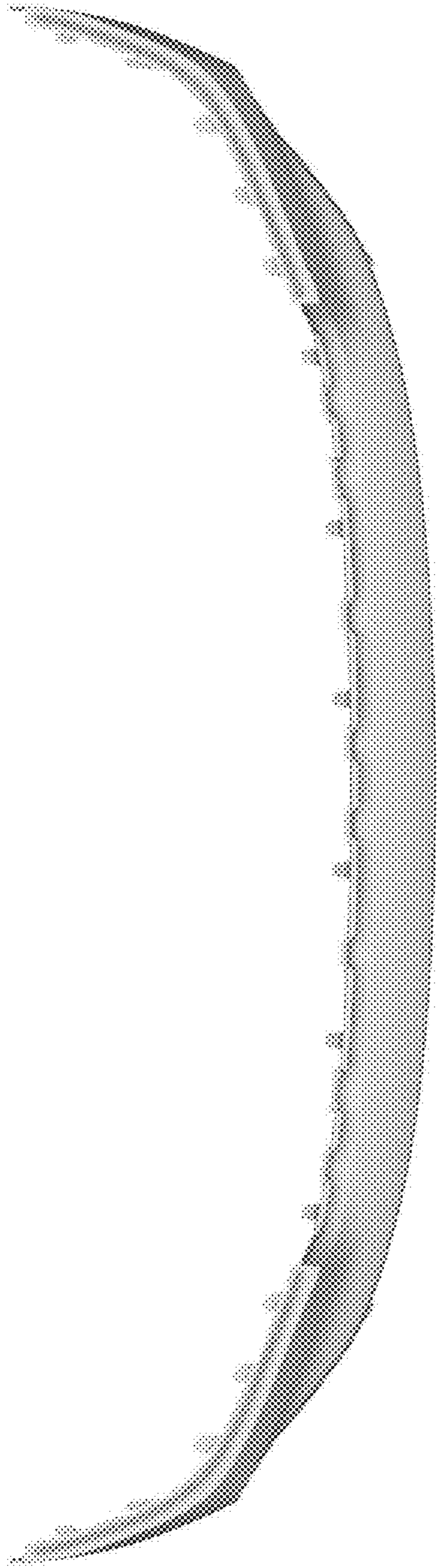


Fig. 6

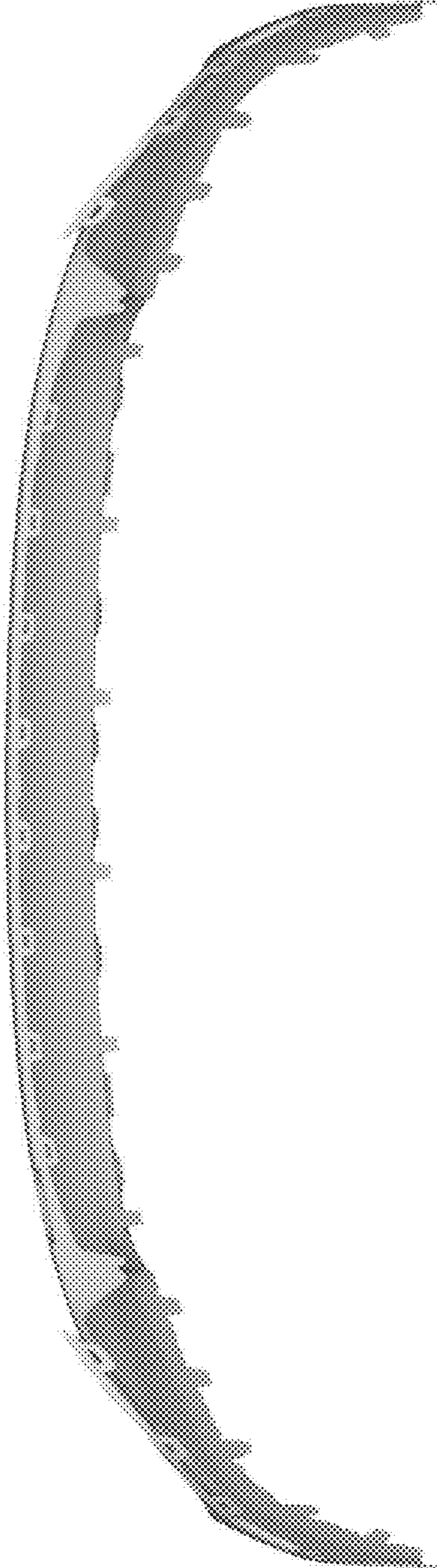


Fig. 7



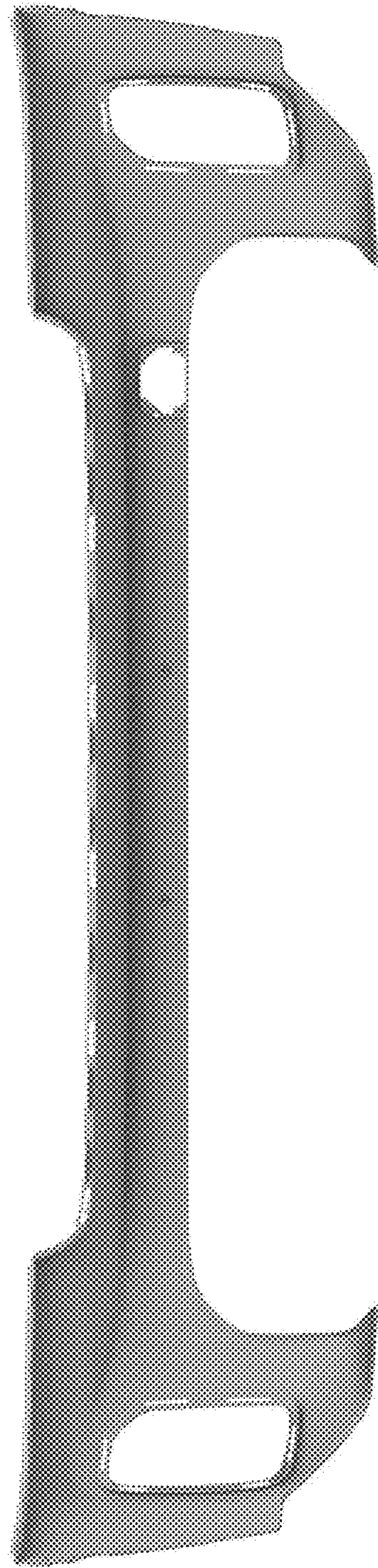


Fig. 8