



US00D926088S

(12) **United States Design Patent**
Hart

(10) **Patent No.:** **US D926,088 S**

(45) **Date of Patent:** **** Jul. 27, 2021**

(54) **HITCH RECEIVER**

(71) Applicant: **Russell Hart**, Chillicothe, MO (US)

(72) Inventor: **Russell Hart**, Chillicothe, MO (US)

(**) Term: **15 Years**

(21) Appl. No.: **29/730,096**

(22) Filed: **Apr. 1, 2020**

(51) **LOC (13) Cl.** **12-16**

(52) **U.S. Cl.**
USPC **D12/162**

(58) **Field of Classification Search**
USPC D12/159-162
CPC . B60D 1/60; B60D 1/065; B60D 1/00; B60D
1/06; B60D 1/36
See application file for complete search history.

D887,910 S *	6/2020	Noel	D12/162
D890,636 S *	7/2020	Sanborn	D12/162
D894,800 S *	9/2020	Noel	D12/162
D897,245 S *	9/2020	Borkholder	D12/162
D897,246 S *	9/2020	Giddens	D12/162
D898,628 S *	10/2020	Sagen	D12/162
D907,537 S *	1/2021	Goodner	D12/162
D909,922 S *	2/2021	Siegel	D12/162

* cited by examiner

Primary Examiner — Katrina A Betton

(74) *Attorney, Agent, or Firm* — Cramer Patent & Design, PLLC; Aaron R. Cramer

(57) **CLAIM**

The ornamental design for a hitch receiver, as shown and described.

(56) **References Cited**

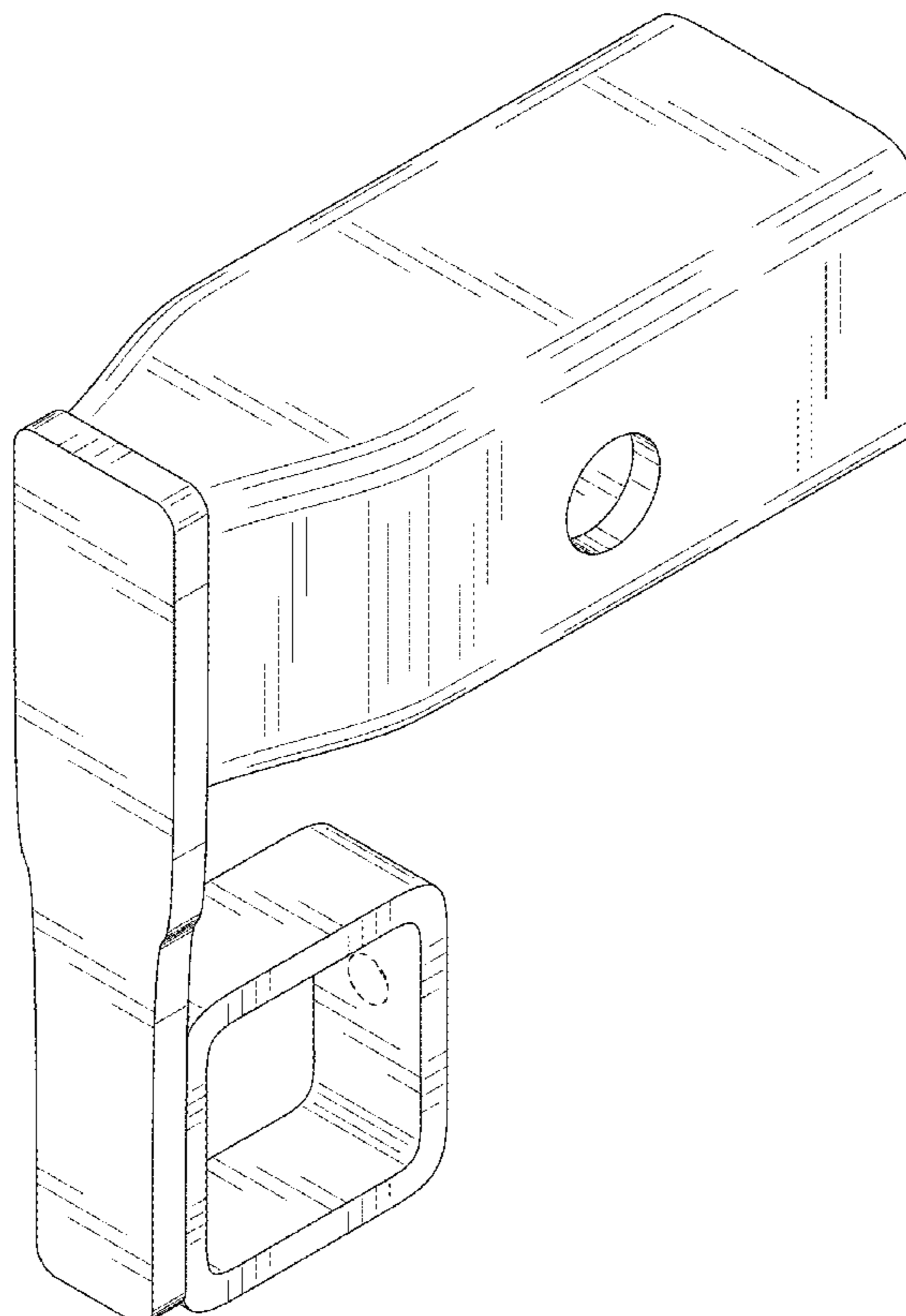
U.S. PATENT DOCUMENTS

2,544,185 A	3/1951	Sargent	
5,048,854 A	9/1991	Clark	
6,149,181 A	11/2000	Biederman	
6,712,381 B1	3/2004	Moss	
7,819,416 B2	10/2010	Moss	
8,408,577 B2	4/2013	Works	
8,490,999 B2	7/2013	Scott	
10,406,871 B1	9/2019	Casidy	
D867,228 S *	11/2019	DePietro D12/162
D873,724 S *	1/2020	Borkholder D12/162
D879,670 S *	3/2020	Borkholder D12/162

DESCRIPTION

FIG. 1 is a perspective top front right view of a hitch receiver, showing my new design;
FIG. 2 is a perspective top rear left view thereof;
FIG. 3 is a front elevation view thereof;
FIG. 4 is a rear elevation view thereof;
FIG. 5 is a right elevation view thereof;
FIG. 6 is a left elevation view thereof;
FIG. 7 is a top plan view thereof; and,
FIG. 8 is a bottom plan view thereof.

1 Claim, 8 Drawing Sheets



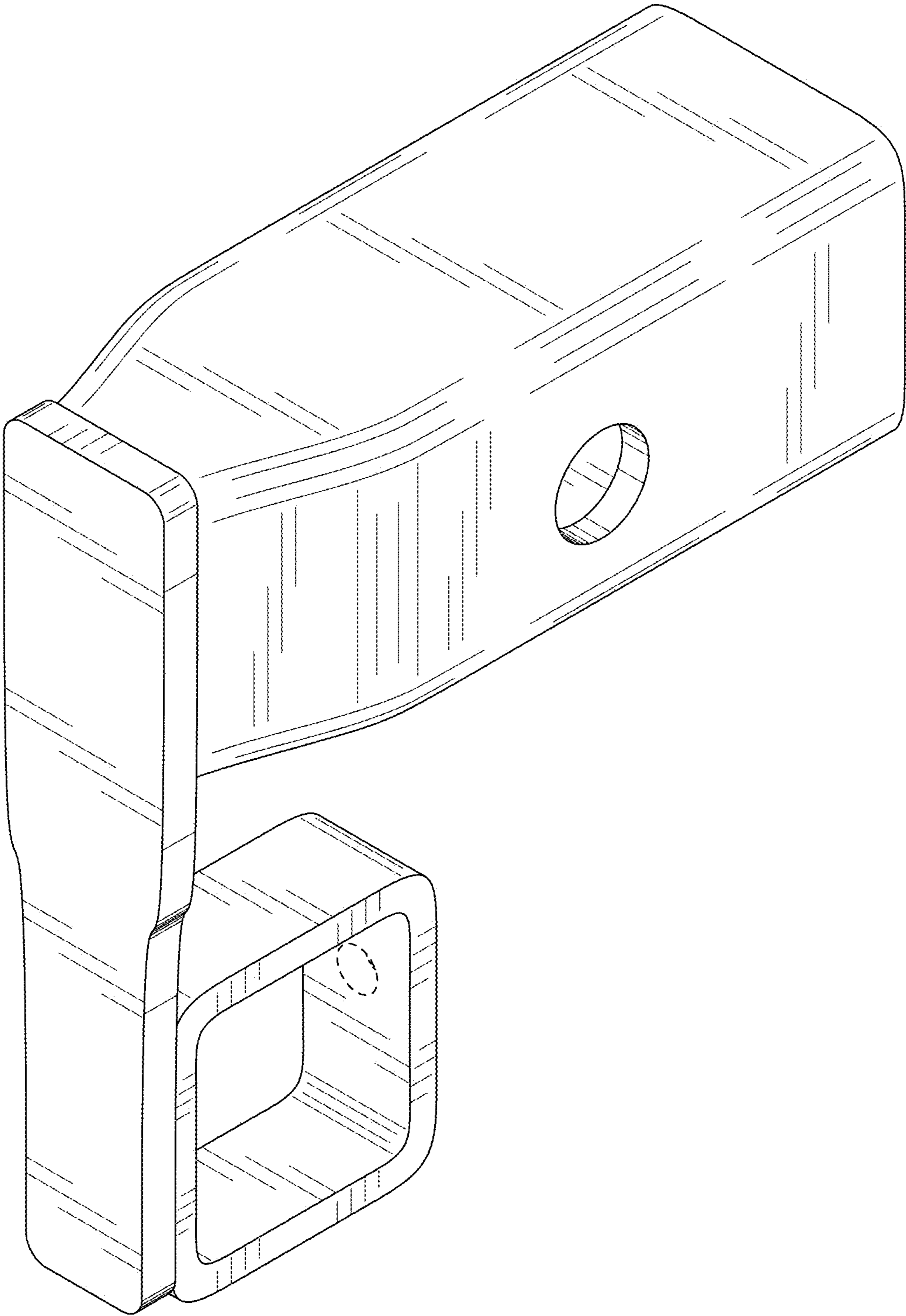


FIG. 1

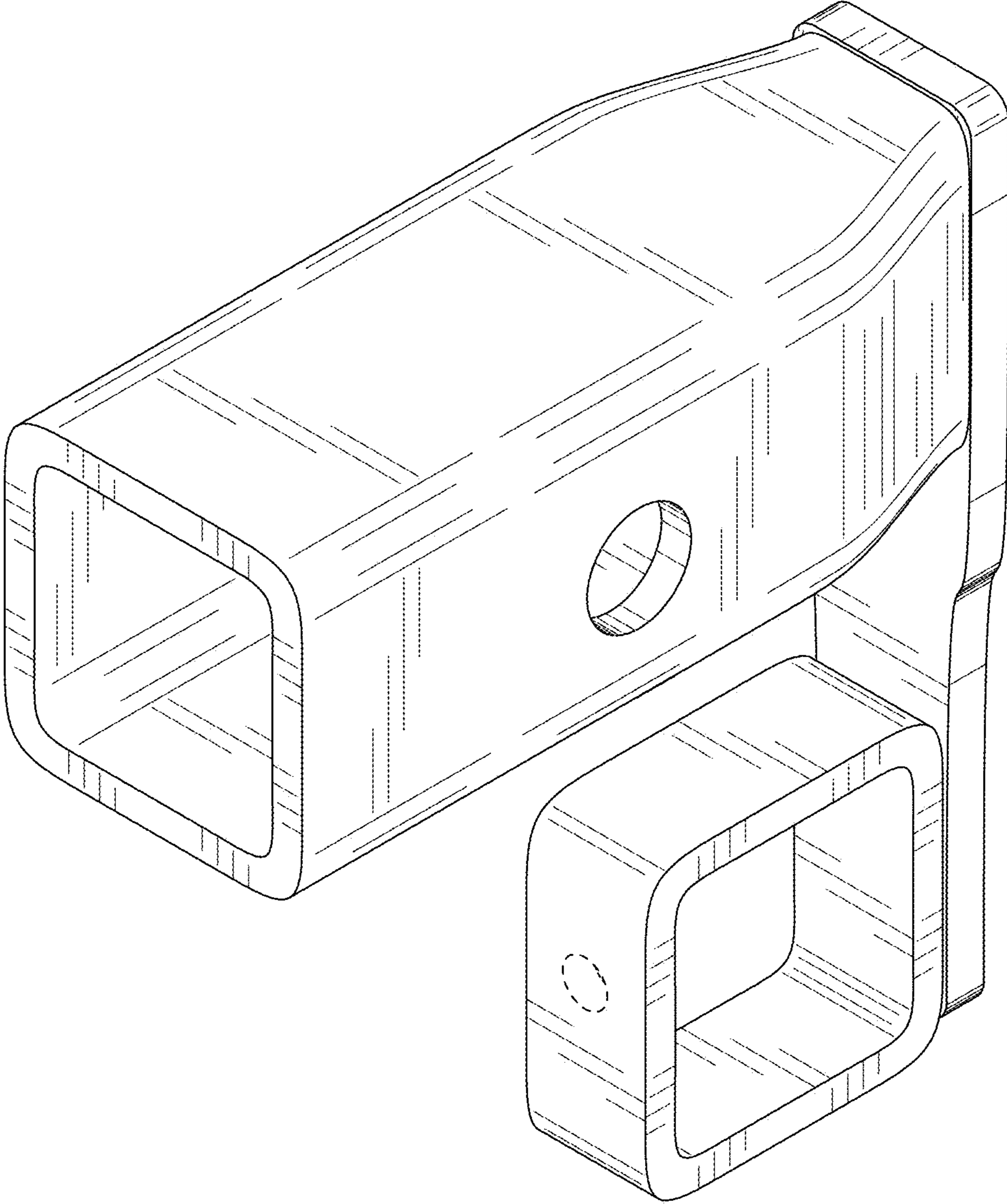


FIG. 2

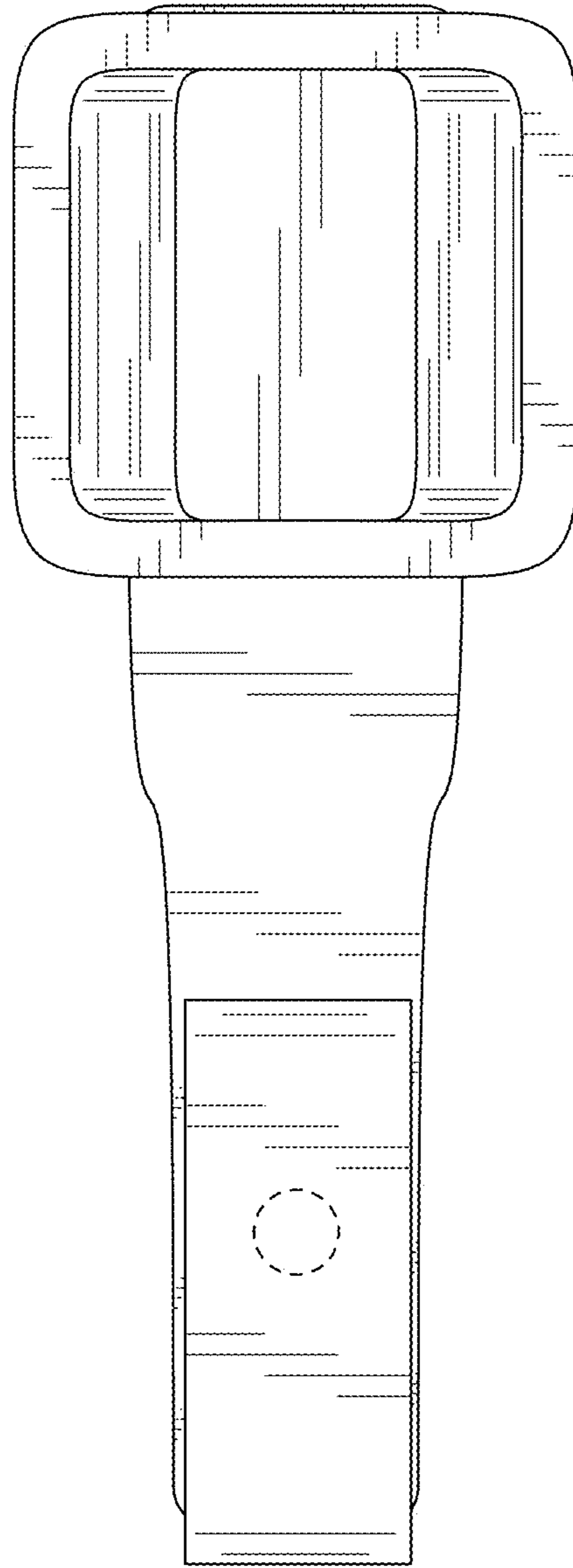


FIG. 3

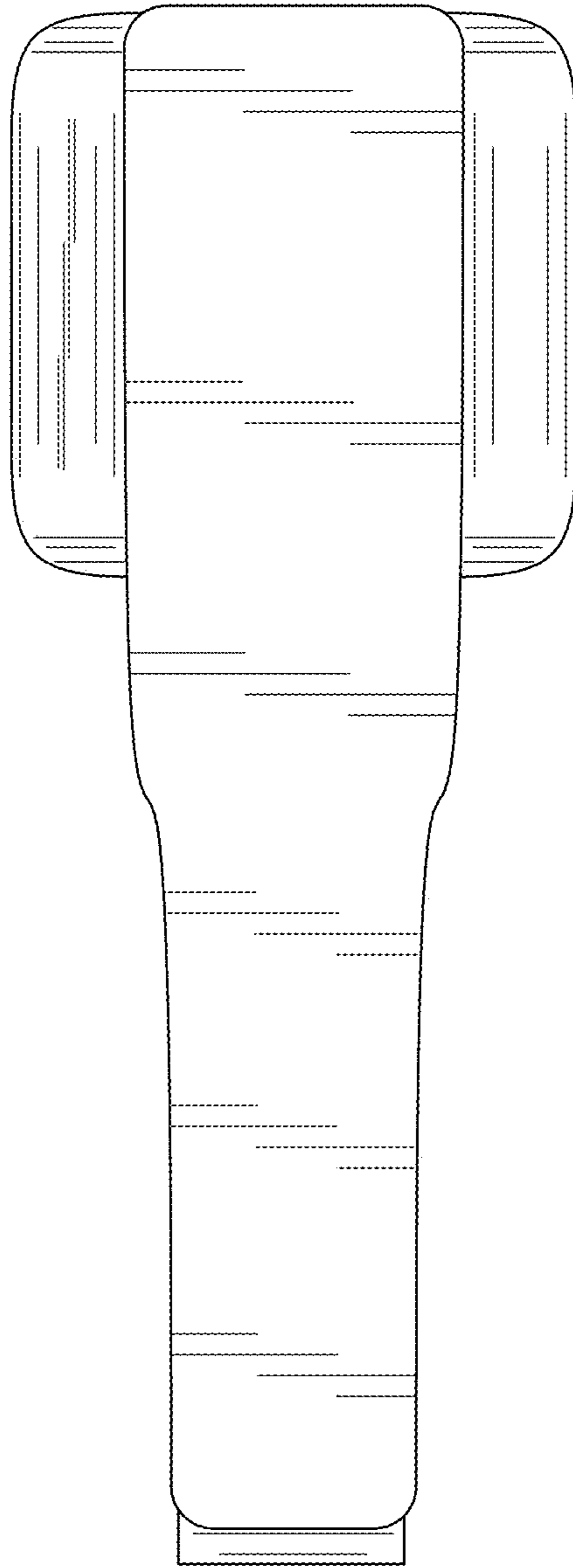


FIG. 4

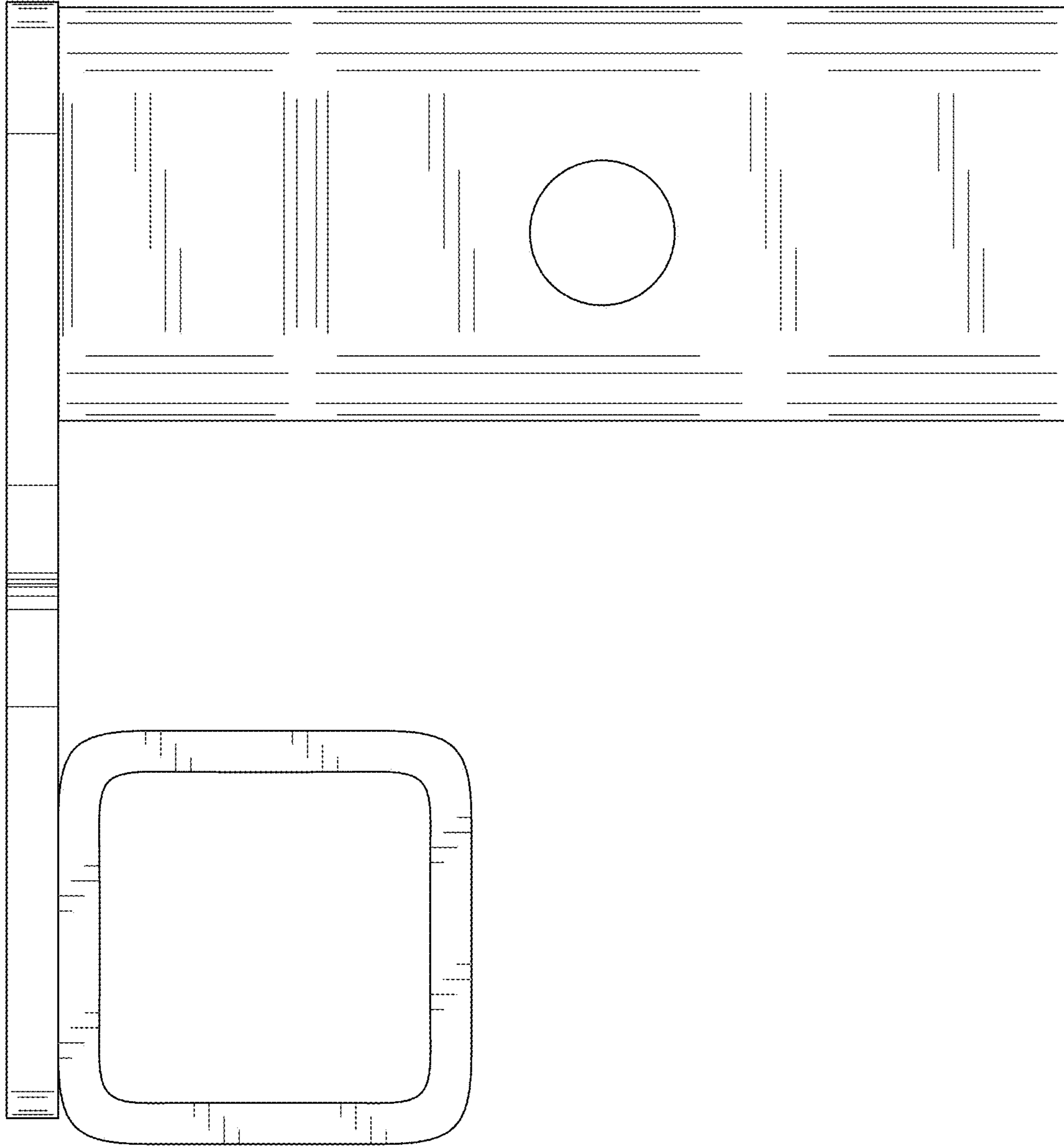


FIG. 5

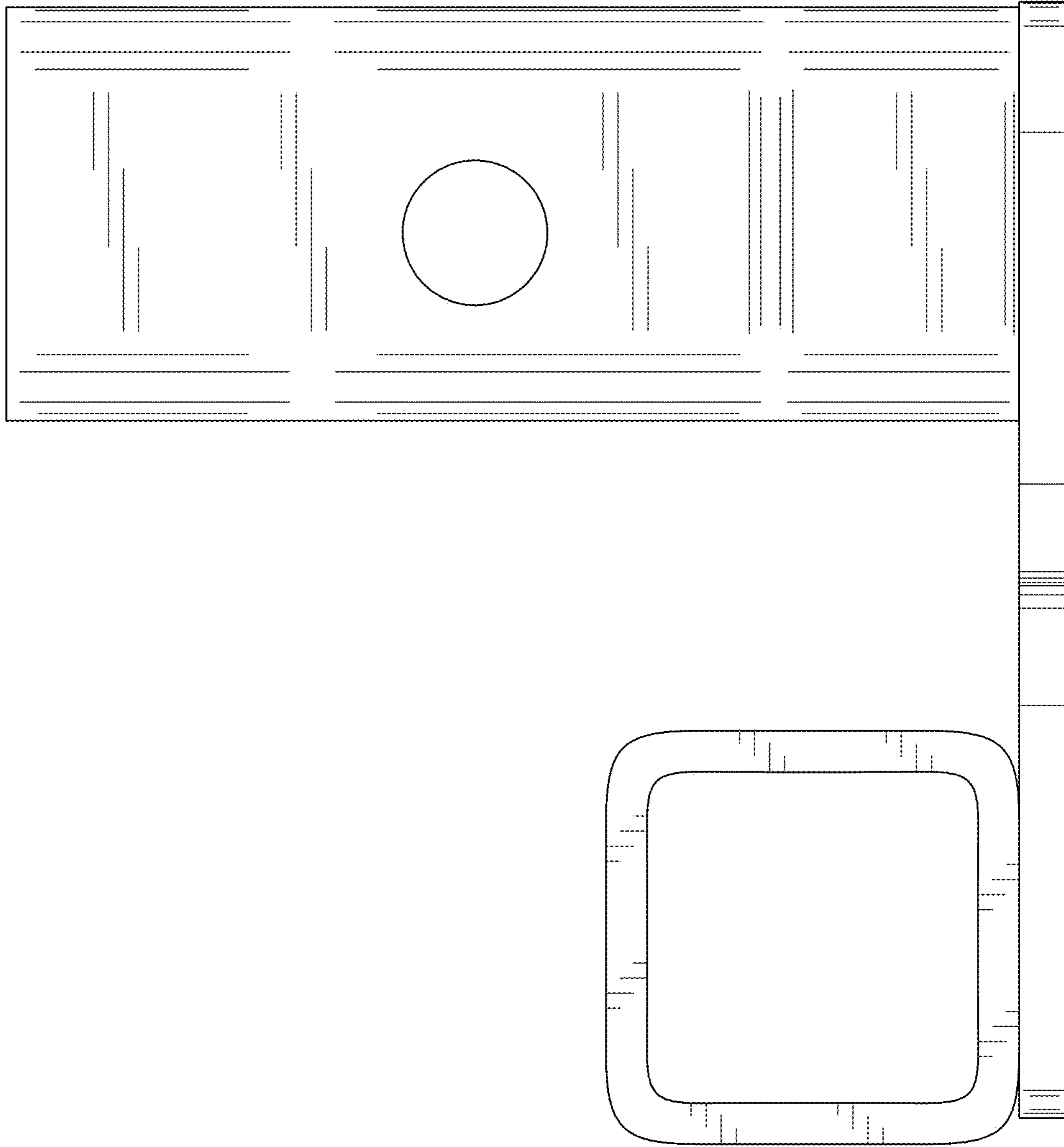


FIG. 6

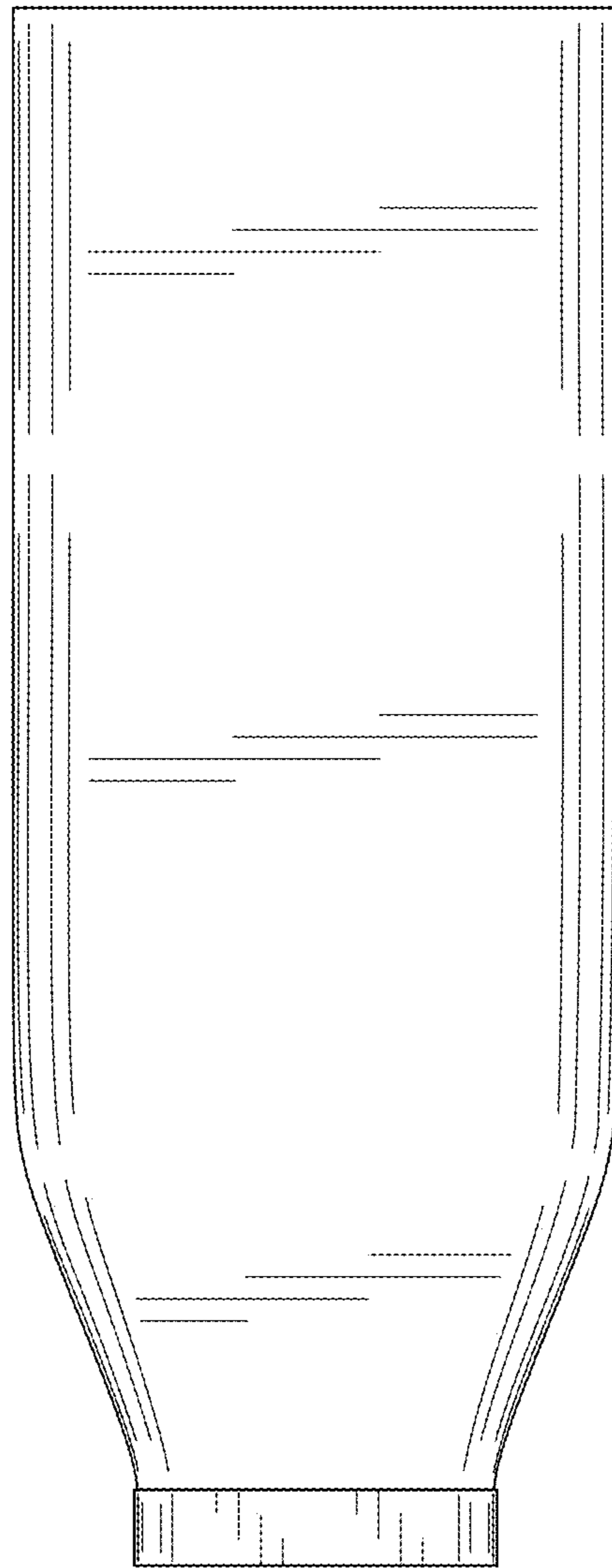


FIG. 7

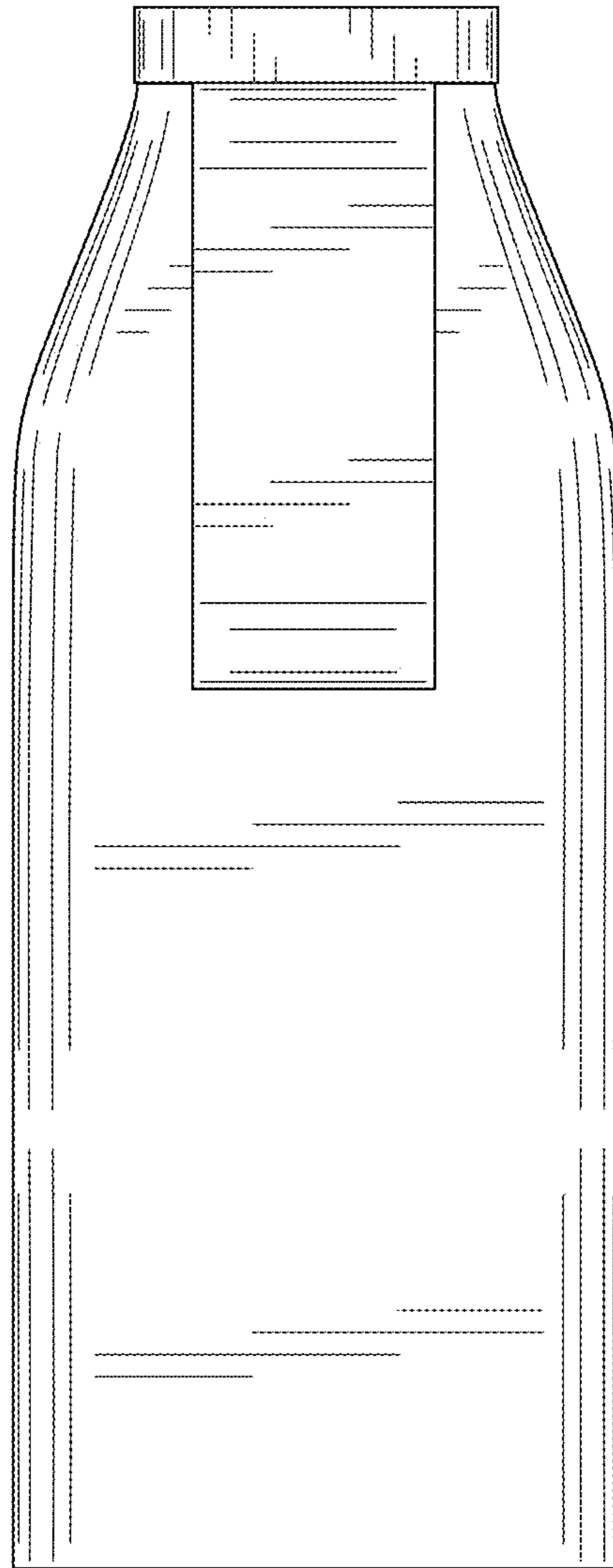


FIG. 8