



US00D926087S

(12) **United States Design Patent** (10) **Patent No.:** **US D926,087 S**
Tsukamoto et al. (45) **Date of Patent:** **** Jul. 27, 2021**

(54) **ELECTRIC WHEELCHAIR**

FOREIGN PATENT DOCUMENTS

(71) Applicant: **WHILL, Inc.**, Kanagawa (JP)

CN 304504338 S 2/2018
EP 002554741-0001 12/2014

(72) Inventors: **Hiroyuki Tsukamoto**, Yokohama (JP);
Masahiro Toriyama, Yokohama (JP);
Satoshi Sugie, Yokohama (JP)

(Continued)

(73) Assignee: **WHILL, Inc.**, Tokyo (JP)

(**) Term: **15 Years**

(21) Appl. No.: **35/508,884**

(22) Filed: **Sep. 26, 2019**

(80) **Hague Agreement Data**

Int. Filing Date: **Sep. 26, 2019**
Int. Reg. No.: **DM/205468**
Int. Reg. Date: **Sep. 26, 2019**
Int. Reg. Pub. Date: **Mar. 27, 2020**

(51) **LOC (13) Cl.** **12-12**

(52) **U.S. Cl.**
USPC **D12/131**

(58) **Field of Classification Search**
USPC D12/128-133; D21/686-691
CPC A61G 5/04; A61G 5/10
See application file for complete search history.

(56) **References Cited**

U.S. PATENT DOCUMENTS

4,770,432 A 9/1988 Wagner
5,028,065 A 7/1991 Danecker
5,335,741 A 8/1994 Rabinovitz et al.
5,669,619 A 9/1997 Kim
5,697,628 A 12/1997 Spear
D404,693 S 1/1999 Schaffner
6,220,382 B1* 4/2001 Kramer, Jr. A61G 5/043
180/65.51
6,786,496 B2 9/2004 Ward et al.

(Continued)

OTHER PUBLICATIONS

“WHILL Model C Features Long ver—Personal Mobility-
(YouTube video),” Whill, Inc., retrieved from the Internet, URL:
<https://www.youtube.com/watch?v=Kp-nLM7Shuw>. Published Aug.
12, 2017 (machine-generated English translation by Google pro-
vided).

(Continued)

Primary Examiner — George D. Kirschbaum
Assistant Examiner — Joseph J Kukella
(74) *Attorney, Agent, or Firm* — Maier & Maier, PLLC

(57) **CLAIM**

The ornamental design for an electric wheelchair, as shown
and described.

DESCRIPTION

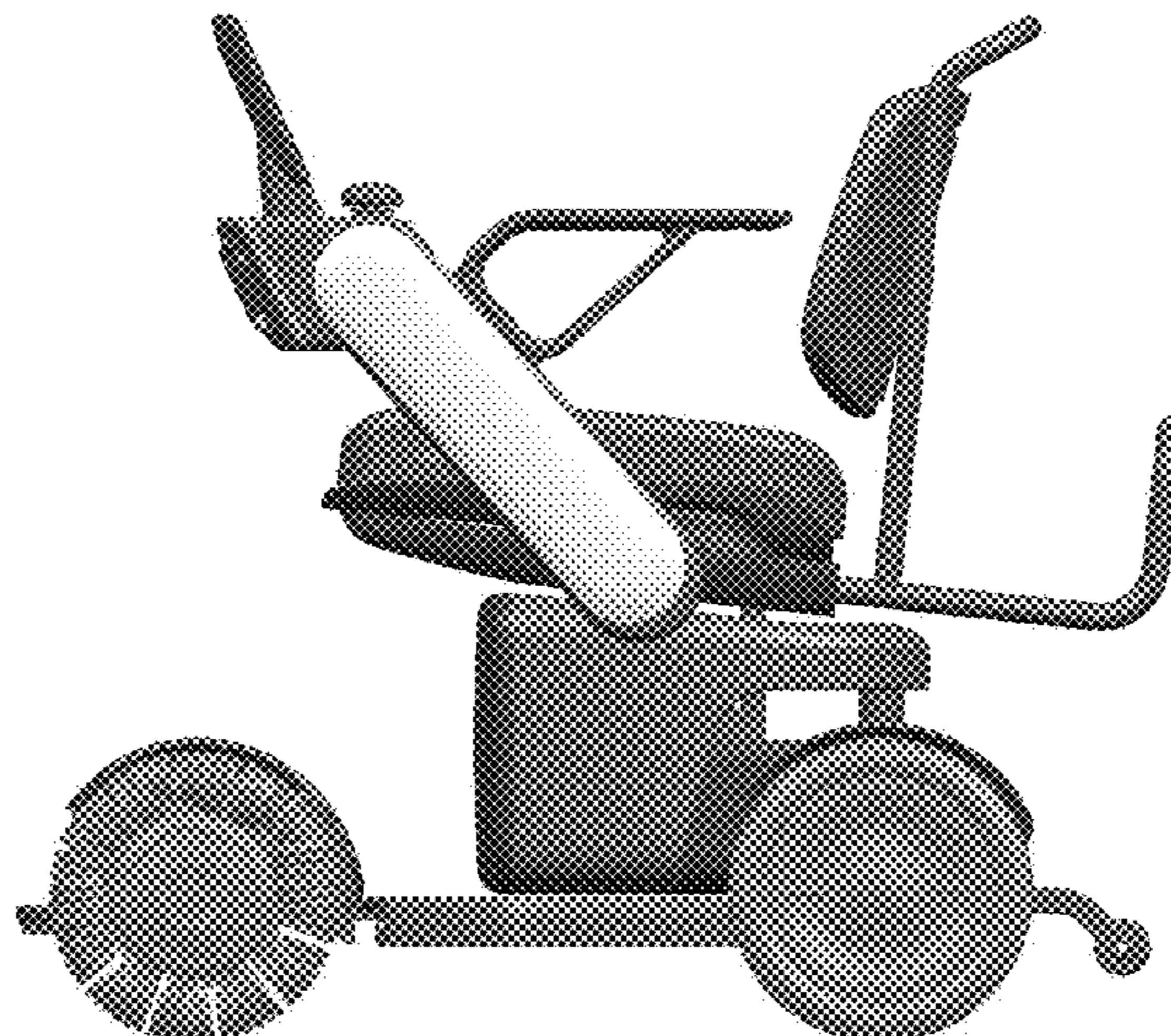
The patent or application file contains at least one drawing
executed in color. Copies of this patent or patent application
publication with color drawing(s) will be provided by the
Office upon request and payment of the necessary fee.

1. Electric wheelchair

- 1.1 : Front
- 1.2 : Back
- 1.3 : Right
- 1.4 : Left
- 1.5 : Top
- 1.6 : Bottom
- 1.7 : Perspective

The blue-colored parts in the reproductions are not part of
the claimed design; the shading in the reproductions repre-
sents the three-dimensional shapes of the surfaces; and the
shading does not illustrate surface ornamentation or deco-
ration.

1 Claim, 7 Drawing Sheets
(7 of 7 Drawing Sheet(s) Filed in Color)



(56)

References Cited

U.S. PATENT DOCUMENTS

D604,208	S	11/2009	Perk et al.	
D673,083	S	12/2012	Daff	
D674,372	S	1/2013	Kelly et al.	
D680,516	S	4/2013	Lee	
8,973,935	B2	3/2015	Salvan	
D730,250	S	5/2015	Lodato et al.	
D745,441	S	12/2015	Ohruh	
D745,443	S	12/2015	Van Olst et al.	
9,242,508	B2 *	1/2016	Bando	B60B 19/12
9,365,076	B2 *	6/2016	Bando	B60B 19/12
9,436,207	B2 *	9/2016	Fukuoka	A61G 5/1051
D769,775	S	10/2016	Sugie	
9,669,868	B2 *	6/2017	Fukuoka	B60L 3/0015
D793,289	S *	8/2017	Jahkel	B60L 3/0015 D12/131
D801,234	S	10/2017	Elon et al.	
D811,279	S	2/2018	McCullough et al.	
D834,458	S *	11/2018	Paterson	A61G 5/1051 D12/130
D848,317	S	5/2019	Sugie et al.	
D890,635	S *	7/2020	Sugie	B60B 19/12 D12/131
10,849,802	B2 *	12/2020	Hirata	H01R 13/631
2007/0018418	A1 *	1/2007	Huang	A61G 5/043 280/124.111

FOREIGN PATENT DOCUMENTS

JP	1446007	S	7/2012
JP	1471293	S	6/2013
JP	1471294	S	6/2013
JP	1502024	S	7/2014
JP	1502025	S	7/2014
JP	1523614	S	5/2015
JP	1527449	S	6/2015
JP	1578314	S	6/2017
JP	1578315	S	6/2017
JP	1578316	S	6/2017
JP	1578317	S	6/2017
TW	D189657	S	4/2018
TW	D189658	S	4/2018
TW	D189659	S	4/2018
WO	DM097600		12/2017
WO	DM205468		3/2020
WO	DM208211		6/2020
WO	DM208967		7/2020

OTHER PUBLICATIONS

Still images captured from “WHILL Model C Features Long ver—Personal Mobility-(YouTube video),” Whill, Inc., retrieved from the Internet, URL: <https://www.youtube.com/watch?v=Kp-nLM7Shuw>. Published Aug. 12, 2017.

WHILL Co., Ltd. “WHILL announces a new model WHILL Model C,” PR Times Inc., Apr. 13, 2017, Japan. Retrieved from the Internet, URL: <https://prtimes.jp/main/html/rd/p/000000019.000011151.html> (19 pp. including machine-generated English translation by Google).

Web page introducing “WHILL Model C”, WHILL, Inc., Retrieved from the Internet, Url: <https://whill.inc/jp/model-c> (machine-generated English translation by Google provided).

Web page introducing “WHILL Model Ci”, WHILL, Inc., Retrieved from the Internet, URL: <https://whill.indus/model-ci/>.

“Brochure on Whill Model Ci”, Whill Inc. Retrieved from the Internet, URL: https://whill.inc/us/wp-content/uploads/2018/01/WHILL_ModelCi_Brochure_2018.pdf. Published Dec. 2017.

“Whill Ci Power Wheel Chair Review (YouTube video),” Retrieved from the Internet, URL: <https://www.youtube.com/watch?v=QM1ItHN49s>. Published Nov. 30, 2018.

Still images captured from “Whill Ci Power Wheel Chair Review (YouTube video),” Retrieved from the Internet, URL: <https://www.youtube.com/watch?v=QM1ItHN49s>. Published Nov. 30, 2018.

“Whill Electric Wheelchair—Model Ci—Top Mobility Specialists Vlog Edition (YouTube video),” Retrieved from the Internet, URL: <https://www.youtuba.com/watch?v=eTYjOLgowAE>. Published Apr. 3, 2018.

Still images captured from “Whill Electric Wheelchair—Model Ci—Top Mobility Specialists Vlog Edition (YouTube video),” Retrieved from the Internet, URL: <https://www.youtube.com/watch?v=eTYjOLgowAE>. Published Apr. 30, 2018.

WHILL Inc., “WHILL Model Ci Earns Spot on TIME’s Best Inventions of 2018 List,” Nov. 16, 2018, Japan. Retrieved from the Internet, URL: <https://whill.inc/us/whill-model-ci-earns-spot-on-times-best-inventions-of-2018-list/> (1 page).

WHILL Inc. “Instruction manual of WHILL Model C/Ck”, pp. 26-28 and 73. Retrieved from the Internet, URL: https://serio888.net/images/lineup/manual/whill_model_c_ck.pdf. The illustrations and photos of chassis and shopping basket are indicated on pp. 26-28 and 73 of the manual.

Contract, vol. 54, No. 1., p. 59, VNU Business Publications Ltd., U.S., retrieved from URL: https://www.nxtbook.com/nxtbooks/nielsen/contract_20130102/index.php#/60 (2 pgs.).

WHILL Model a Catalog, WHILL, Inc., retrieved from URL: https://whilljp/wp-content/themes/whill-jp/pdf/whill_model_a_catalog.pdf, 8 pgs.

U.S. Office Action dated Jun. 20, 2013, in connection with corresponding U.S. Appl. No. 29/424,943 (7 pp.).

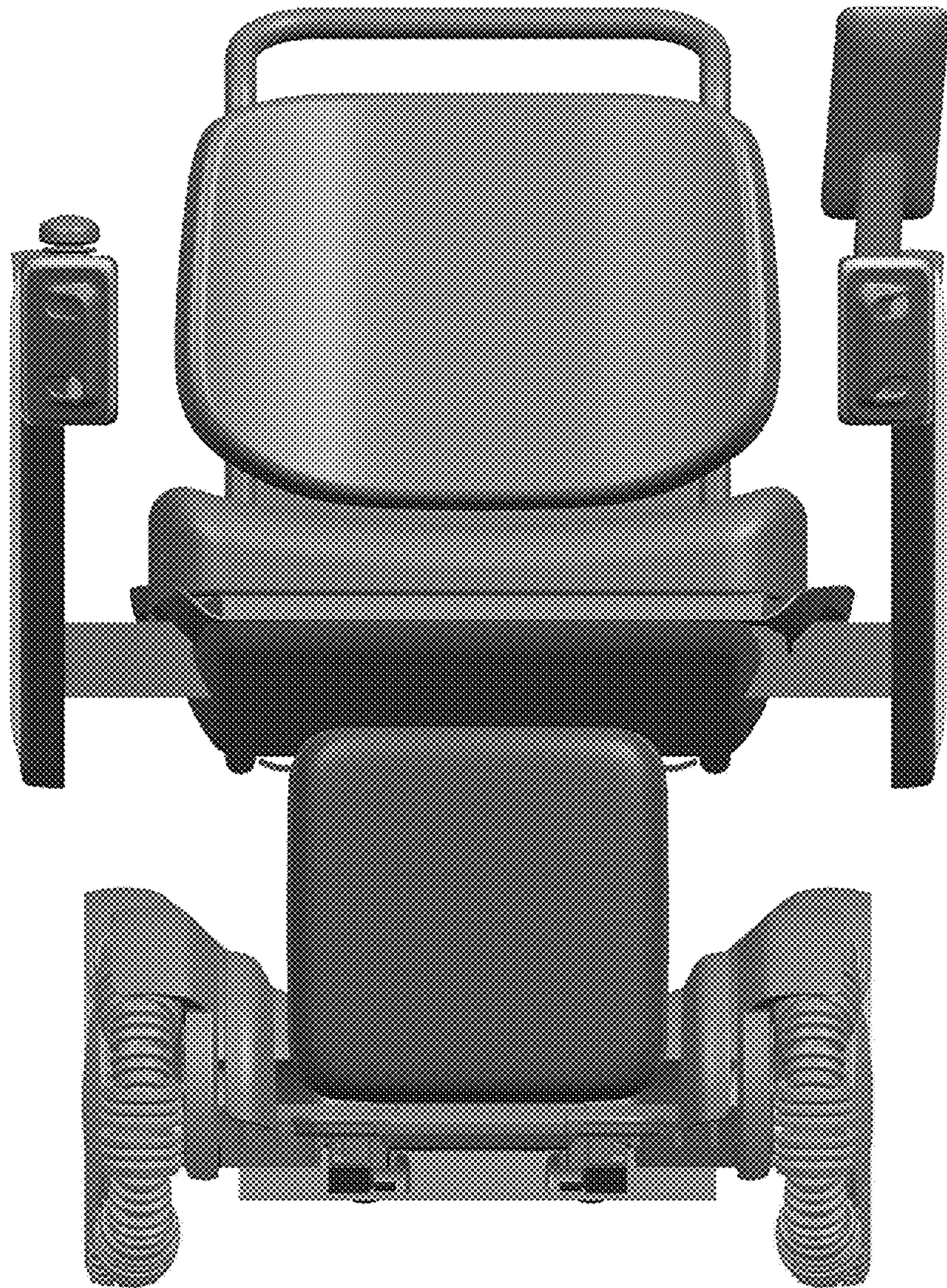
U.S. Office Action dated Sep. 24, 2015, in connection with corresponding U.S. Appl. No. 29/504,756 (8 pp.).

U.S. Office Action dated Sep. 5, 2018, in connection with corresponding U.S. Appl. No. 35/504,152 (6 pp.).

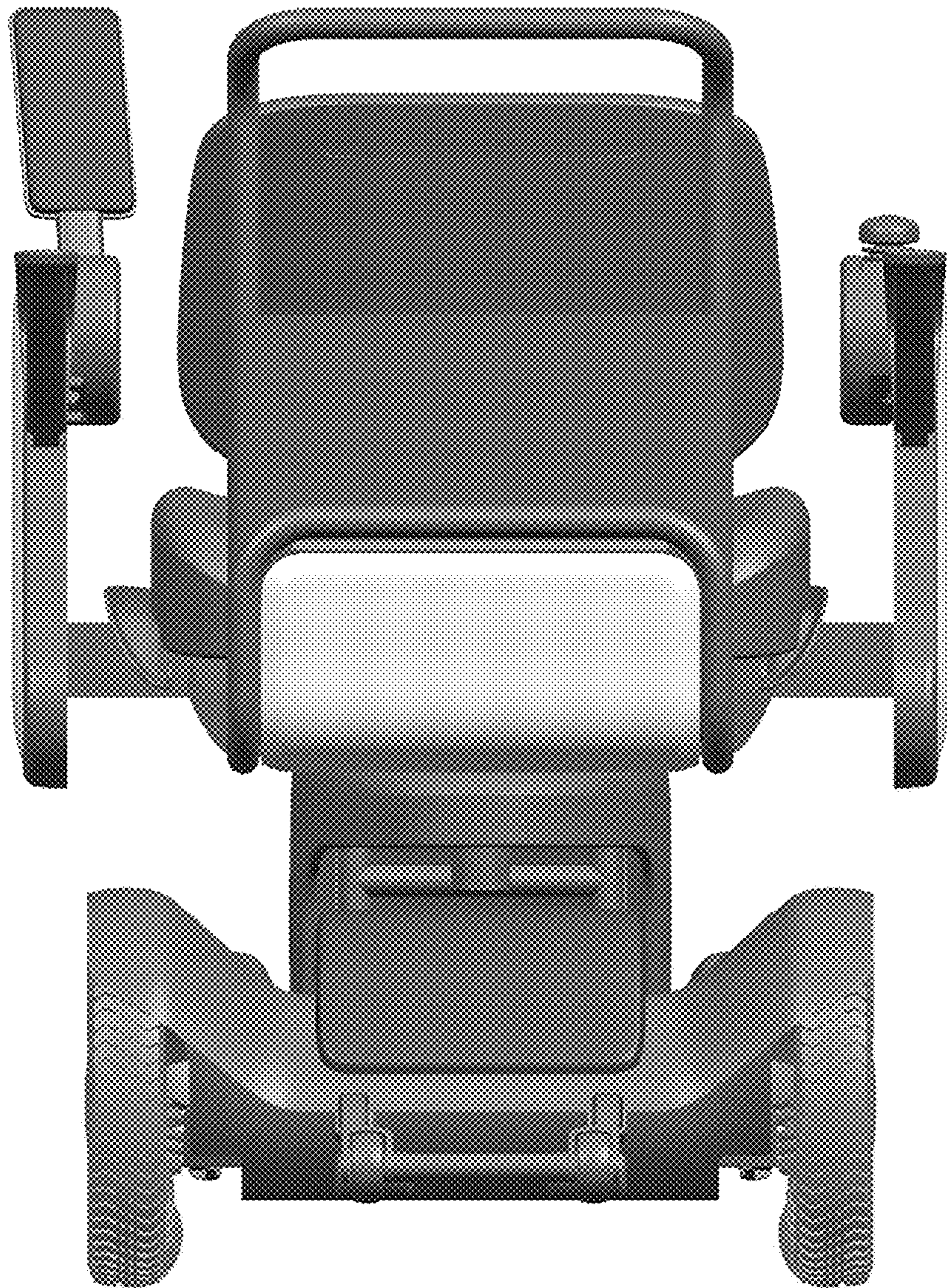
U.S. Appl. No. 29/683,787, filed Mar. 15, 2019, corresponding to the above-identified application, (91 pp.) provided, downloaded on Jun. 30, 2020.

* cited by examiner

1.1



1.2



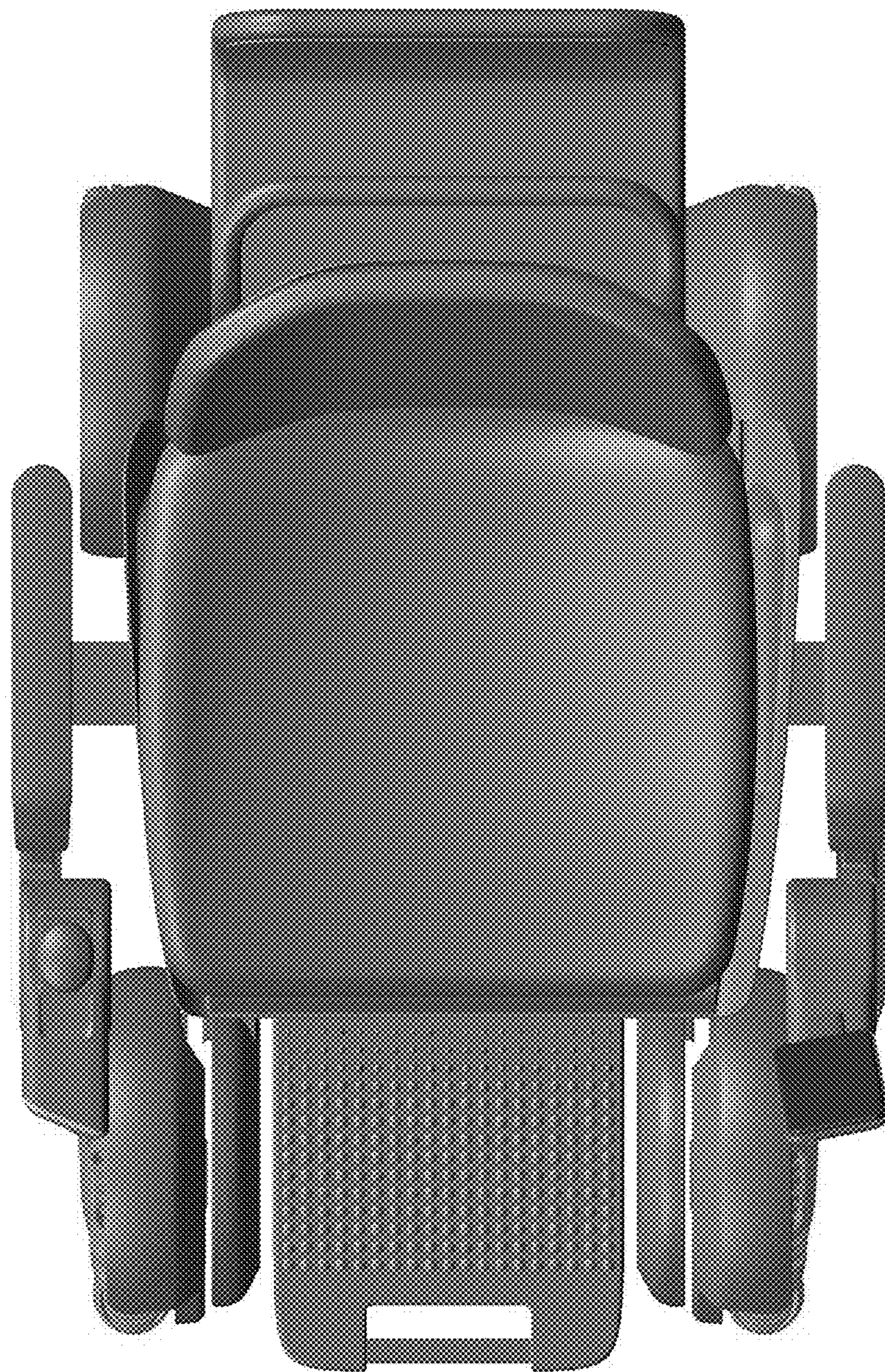
1.3



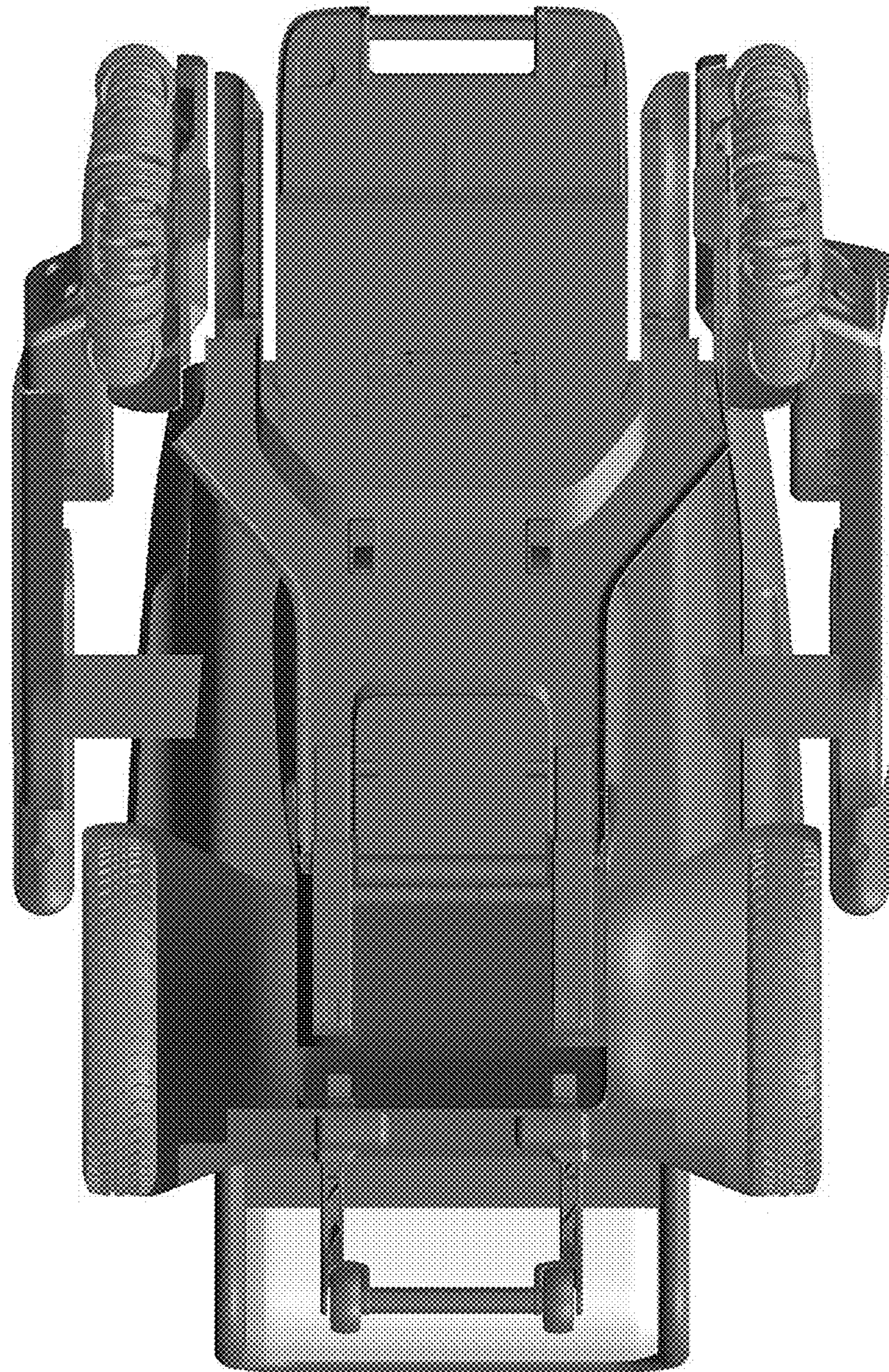
1.4



1.5



1.6



1.7

