



US00D926068S

(12) **United States Design Patent**
Spillane

(10) **Patent No.:** **US D926,068 S**

(45) **Date of Patent:** **** Jul. 27, 2021**

(54) **MULTI-ELEMENT JEWELRY**

(71) Applicant: **Annette Lasala Spillane**, New York, NY (US)

(72) Inventor: **Annette Lasala Spillane**, New York, NY (US)

(**) Term: **15 Years**

(21) Appl. No.: **29/652,655**

(22) Filed: **Oct. 19, 2020**

Related U.S. Application Data

(63) Continuation of application No. 29/641,503, filed on Mar. 22, 2018, now Pat. No. Des. 900,663.

(51) **LOC (13) Cl.** **11-01**

(52) **U.S. Cl.**
USPC **D11/1; D11/34**

(58) **Field of Classification Search**
USPC D11/1-4, 16, 17, 18, 20-31, 33, 34, 35, D11/37, 38, 41, 43-45, 63, 70, 86, 184
CPC A44C 9/00; A44C 9/02; A44C 9/0007; A44C 9/0015; A44C 9/0023; A44C 13/00
See application file for complete search history.

(56) **References Cited**

U.S. PATENT DOCUMENTS

D215,613 S	*	10/1969	Wilkinson	D11/34
D456,940 S	*	5/2002	Yando	D11/70
D517,937 S	*	3/2006	Bulgari	D11/79
D814,333 S	*	4/2018	Penna	D11/79
D826,078 S	*	8/2018	Stern	D11/26
D865,561 S	*	11/2019	Sivriere	D11/42
D895,469 S	*	9/2020	Gurung	D11/1
D900,663 S	*	11/2020	Spillane	D11/26
D906,862 S	*	1/2021	Sivriere	D11/41
D909,234 S	*	2/2021	Sivriere	D11/79
D914,534 S	*	3/2021	Sivriere	D11/43

OTHER PUBLICATIONS

TARA_Fine_Jewelry_s_Cool_Convertibles (available online Aug. 1, 2018) Retrieved from the internet May 18, 2021.*

* cited by examiner

Primary Examiner — Kevin K Rudzinski

Assistant Examiner — Richard Kearney

(74) *Attorney, Agent, or Firm* — Dunlap Bennett & Ludwig, PLLC; Brendan E. Squire

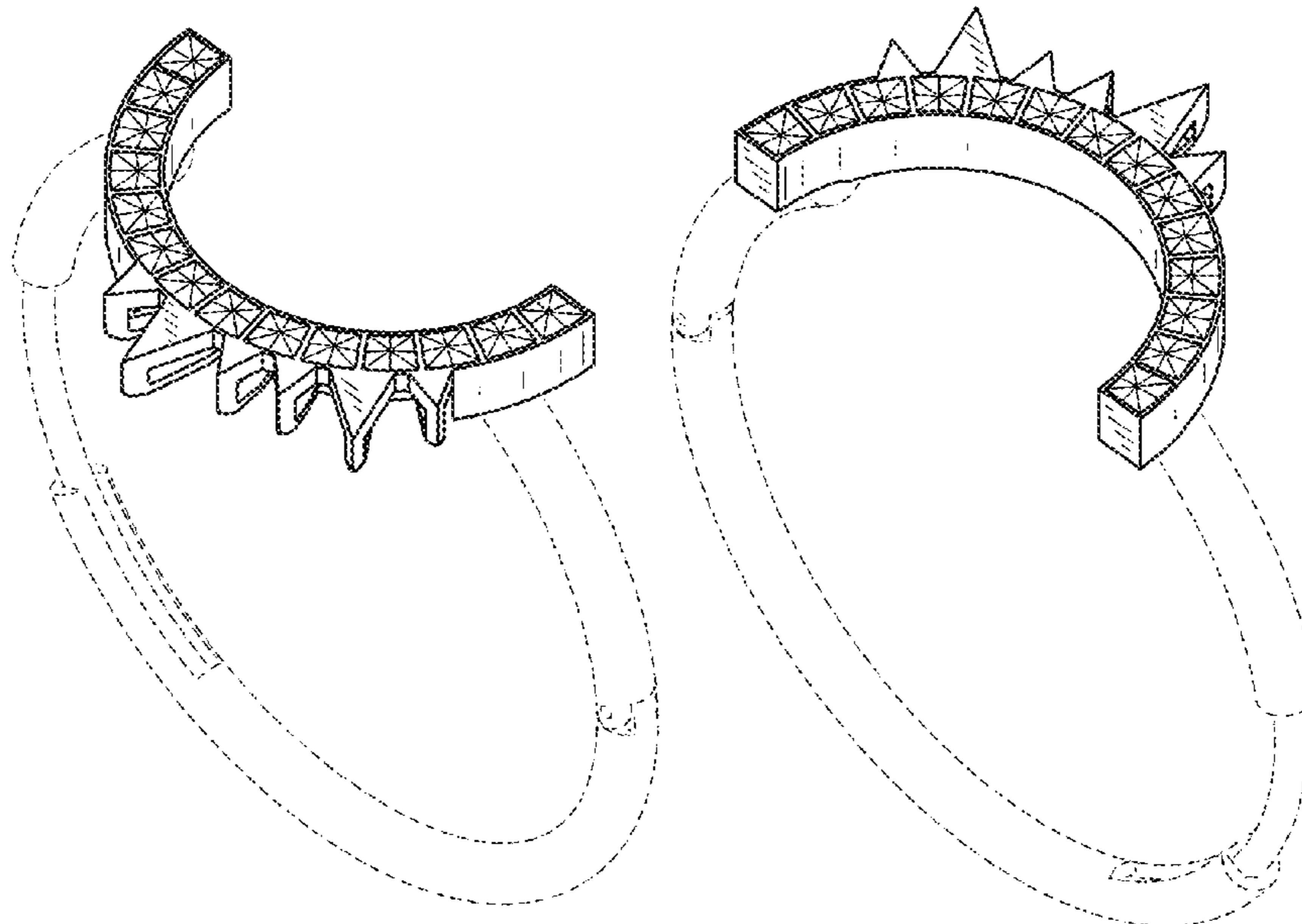
(57) **CLAIM**

The ornamental design for a multi-element jewelry, as shown and described.

DESCRIPTION

FIG. 1 is a front perspective view of the first jewelry element showing my new design;
FIG. 2 is a front elevation view thereof;
FIG. 3 is rear elevation view thereof;
FIG. 4 is a left side elevation view thereof;
FIG. 5 is a right side elevation view thereof;
FIG. 6 is a top plan view thereof;
FIG. 7 is a bottom plan view thereof;
FIG. 8 is a front perspective view of the second jewelry element showing my new design;
FIG. 9 is a front elevation view thereof;
FIG. 10 is rear elevation view thereof;
FIG. 11 is a left side elevation view thereof;
FIG. 12 is right side elevation view thereof;
FIG. 13 is a top plan view thereof; and,
FIG. 14 is a bottom plan view thereof.
The broken lines shown in the drawings illustrate portions of the multi-element jewelry that form no part of the claimed design.

1 Claim, 6 Drawing Sheets



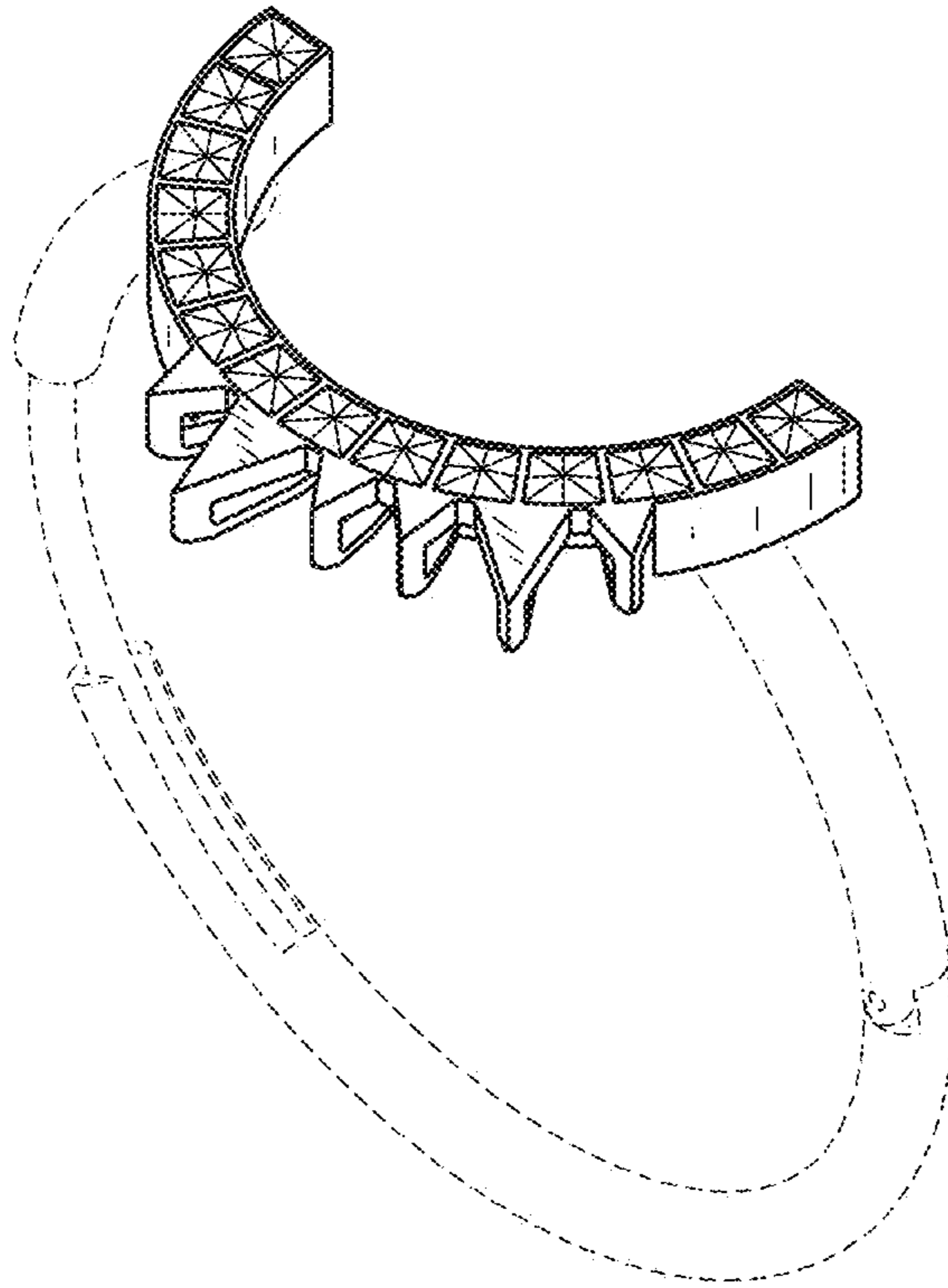


FIG. 1

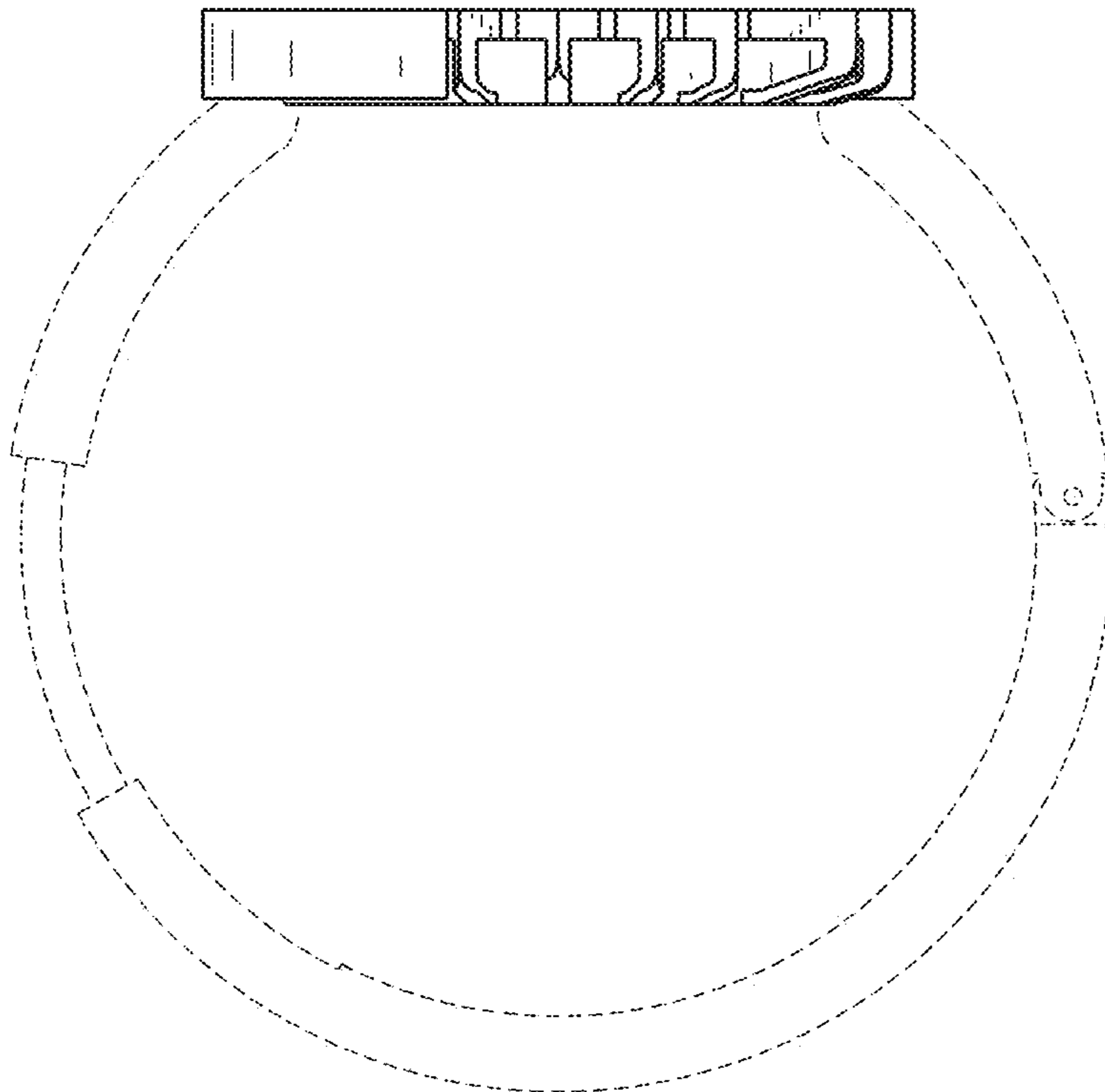


FIG. 2

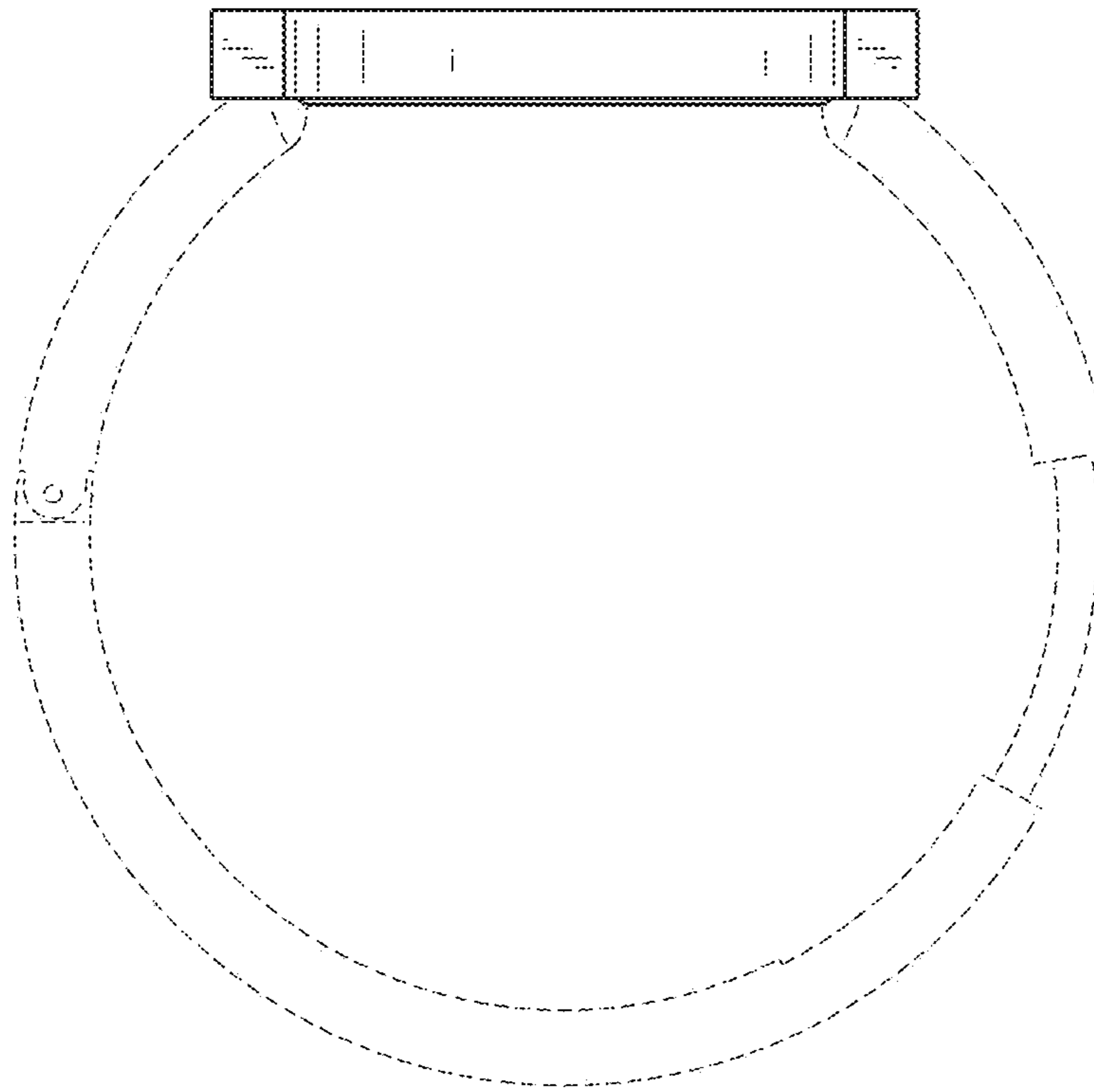


FIG. 3

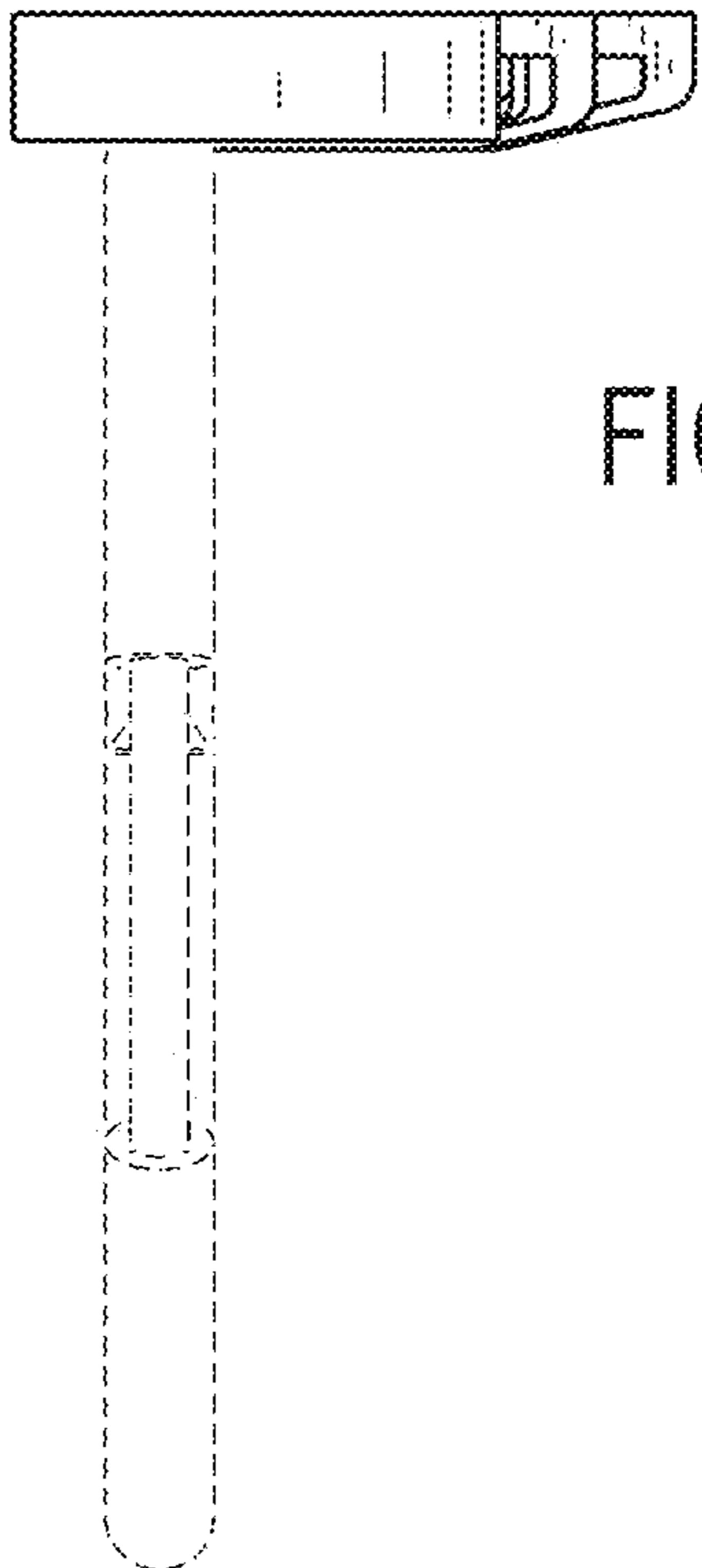


FIG. 4

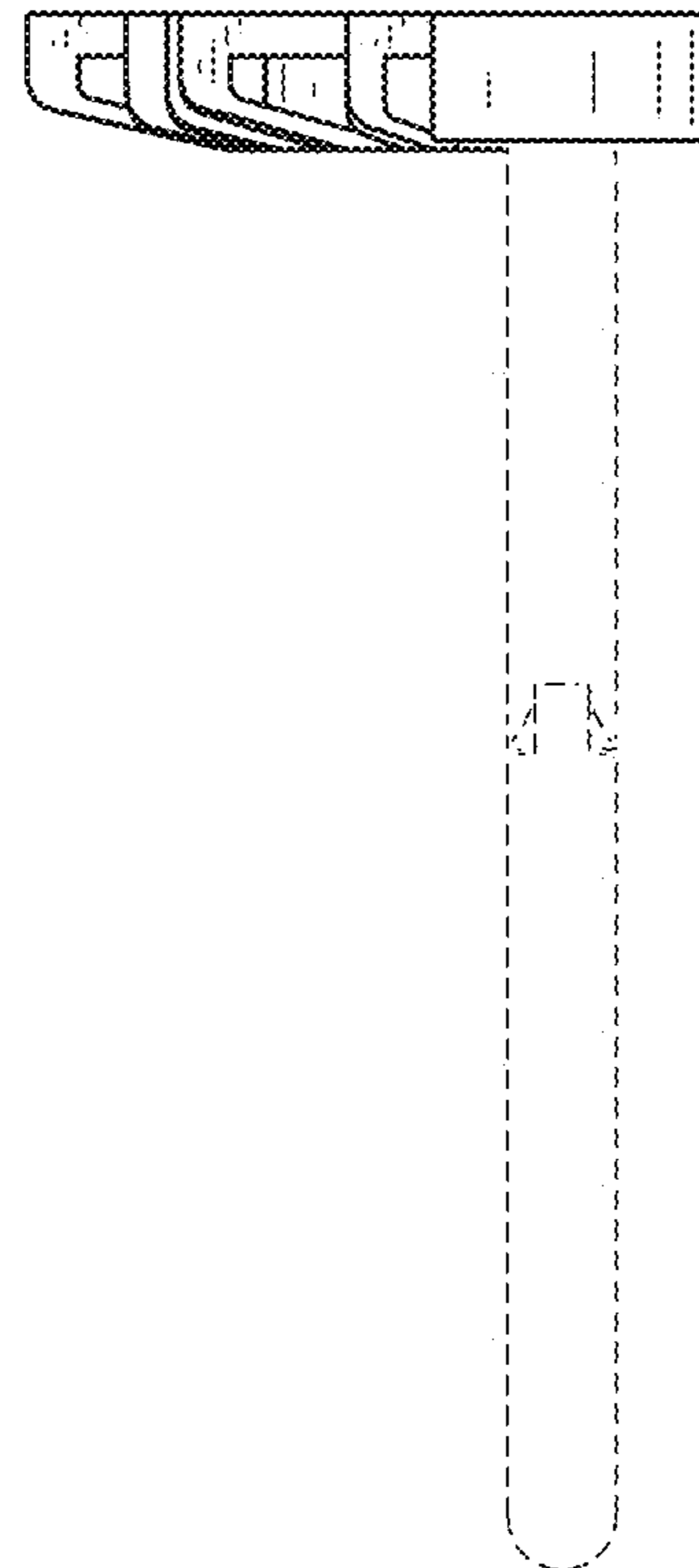


FIG. 5

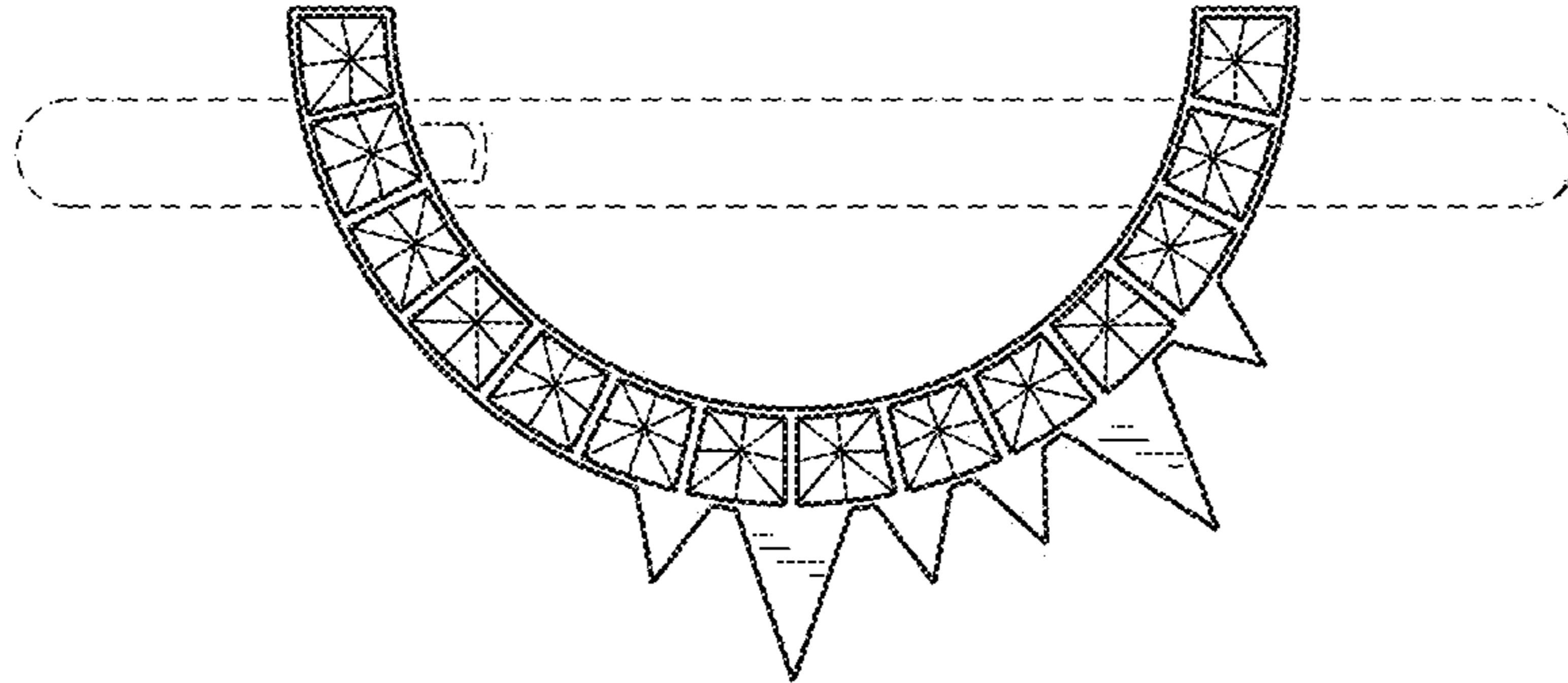


FIG. 6

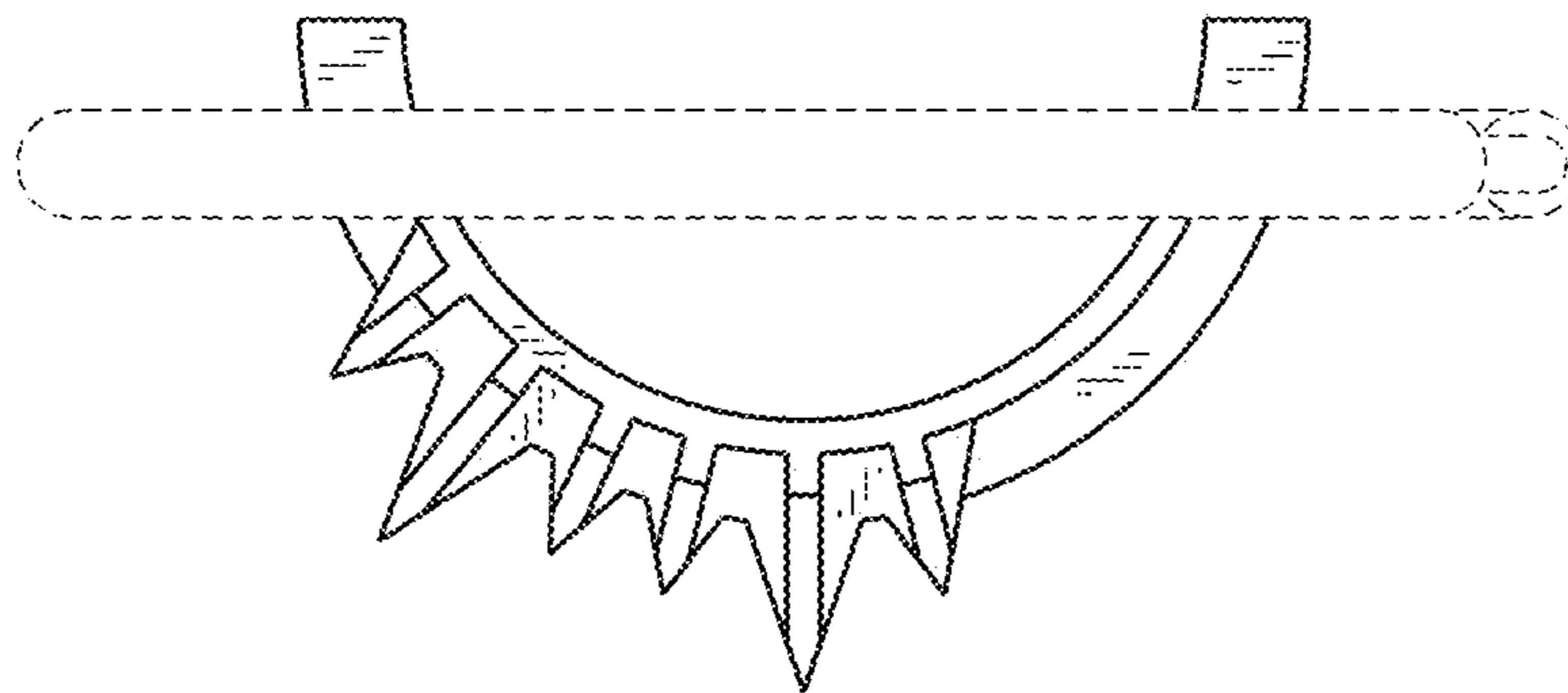


FIG. 7

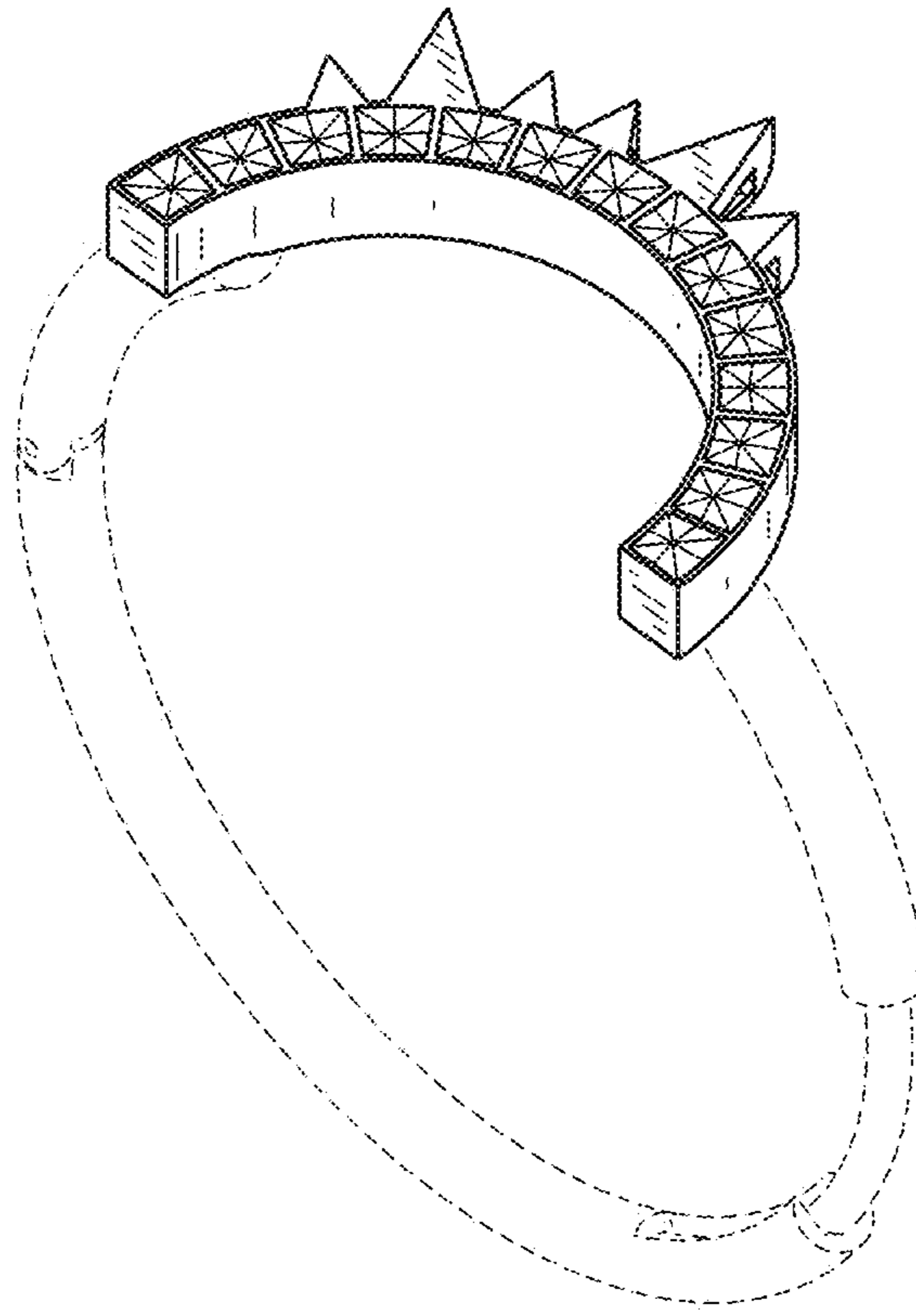


FIG. 8

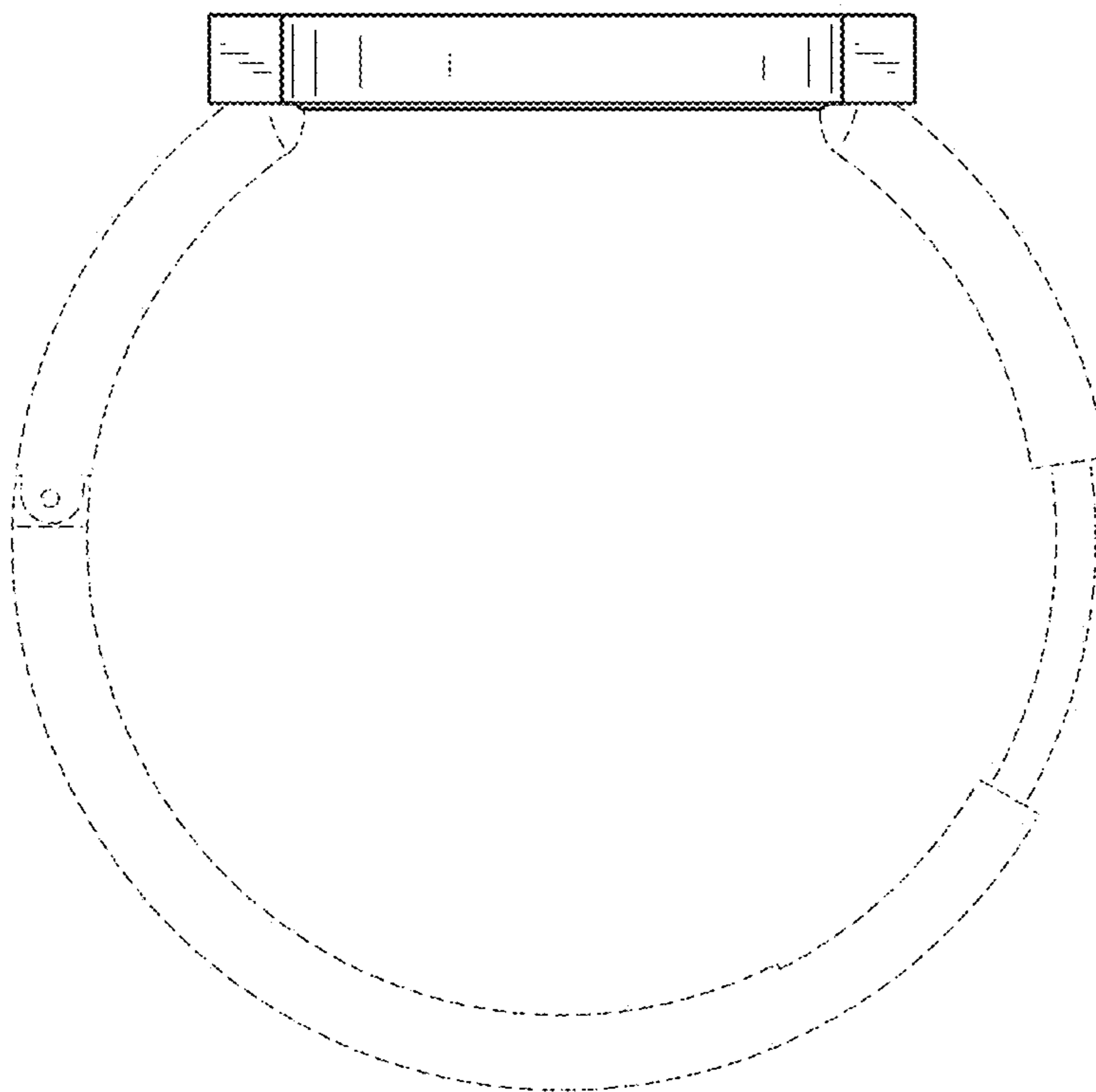


FIG. 9

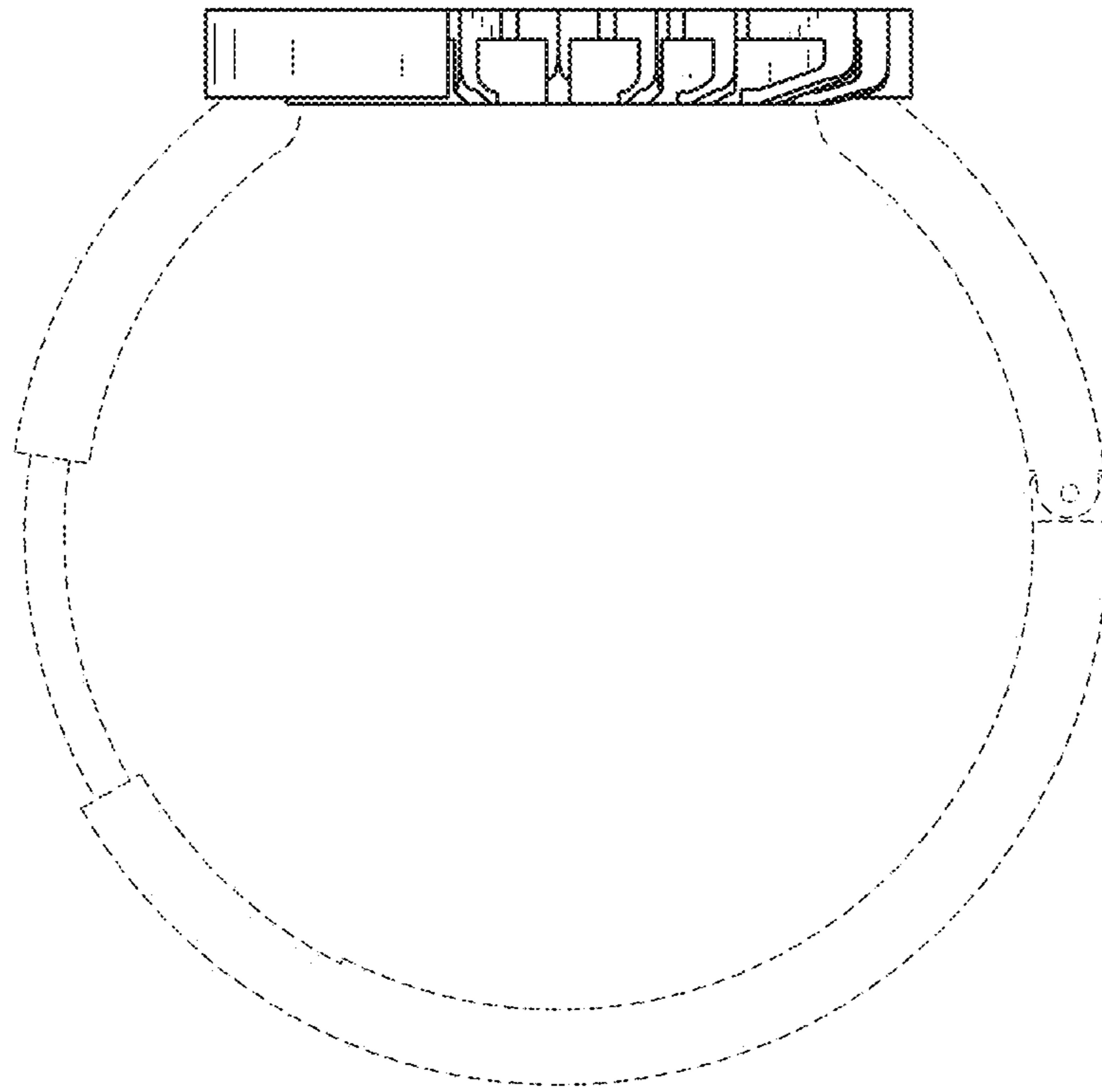


FIG. 10

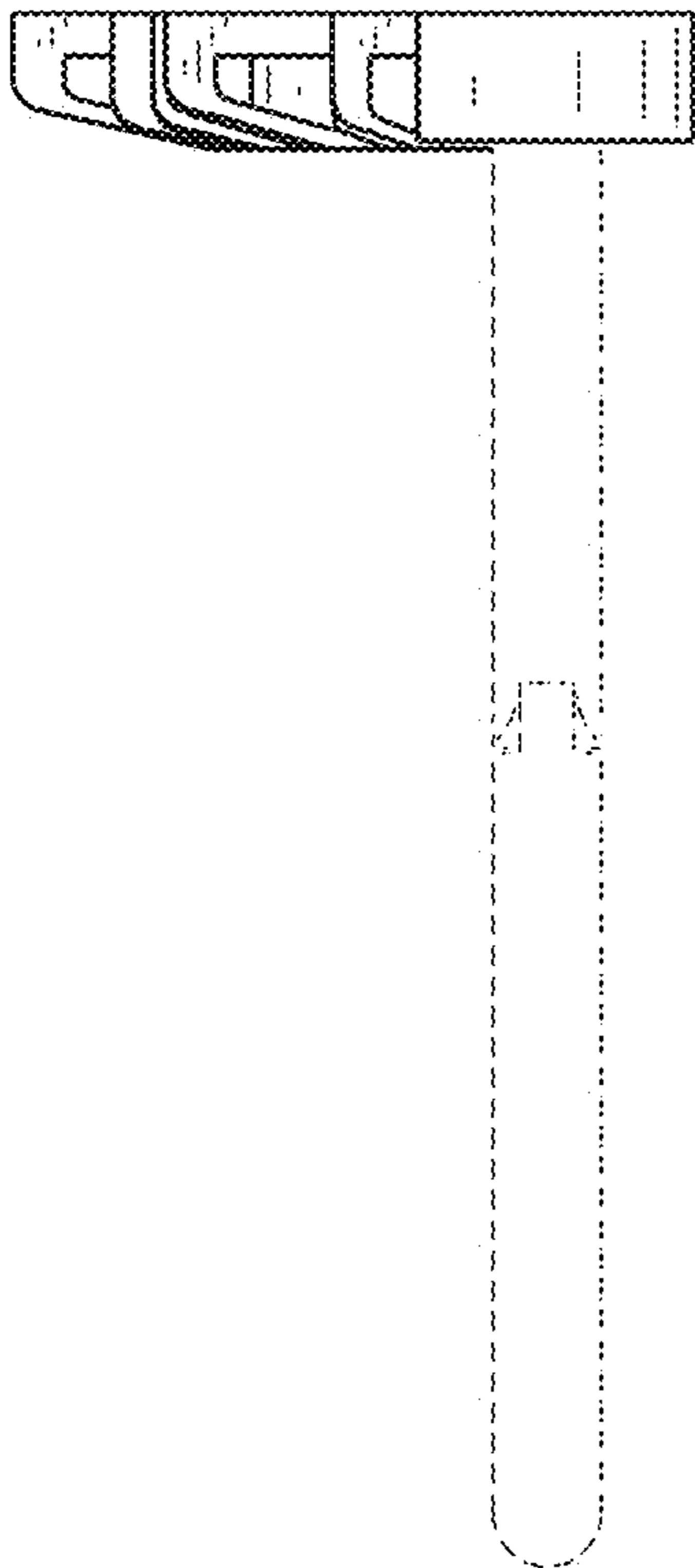


FIG. 11

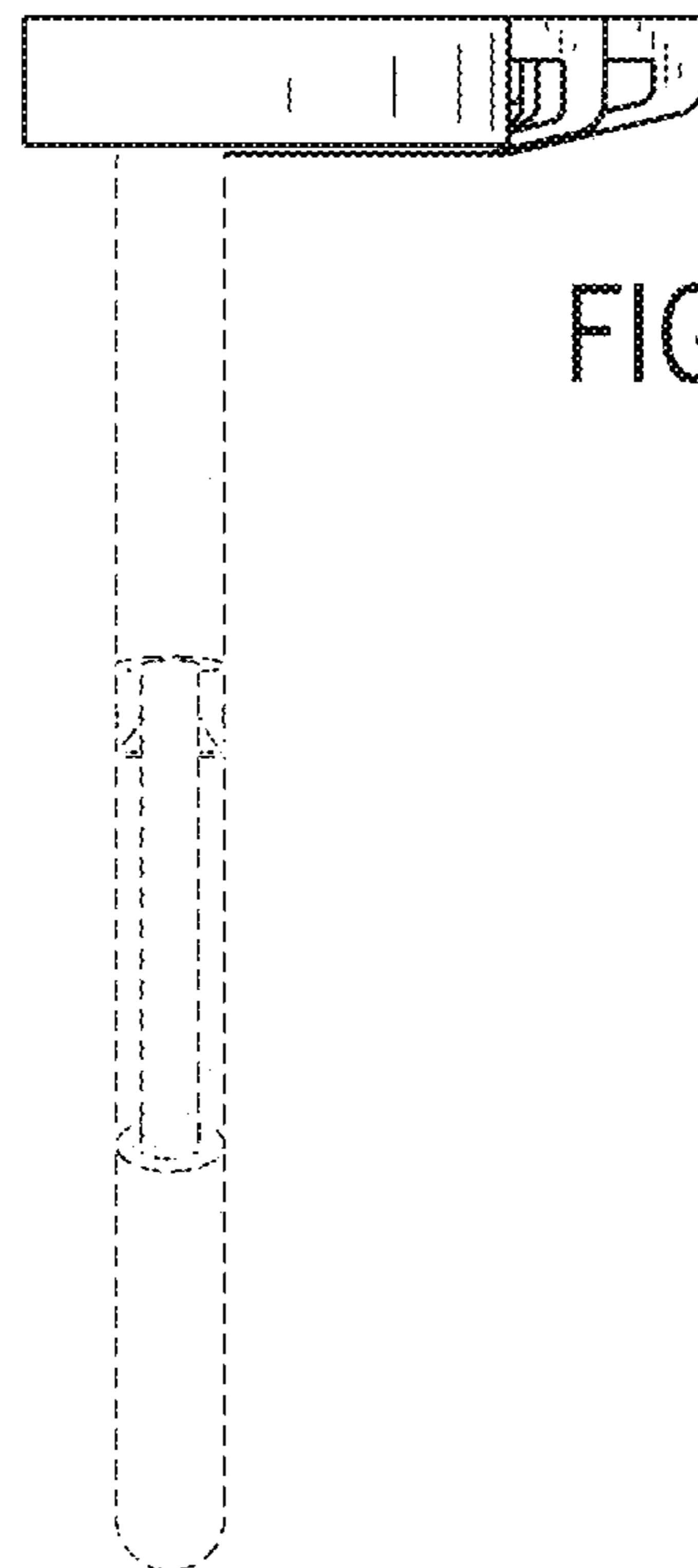


FIG. 12

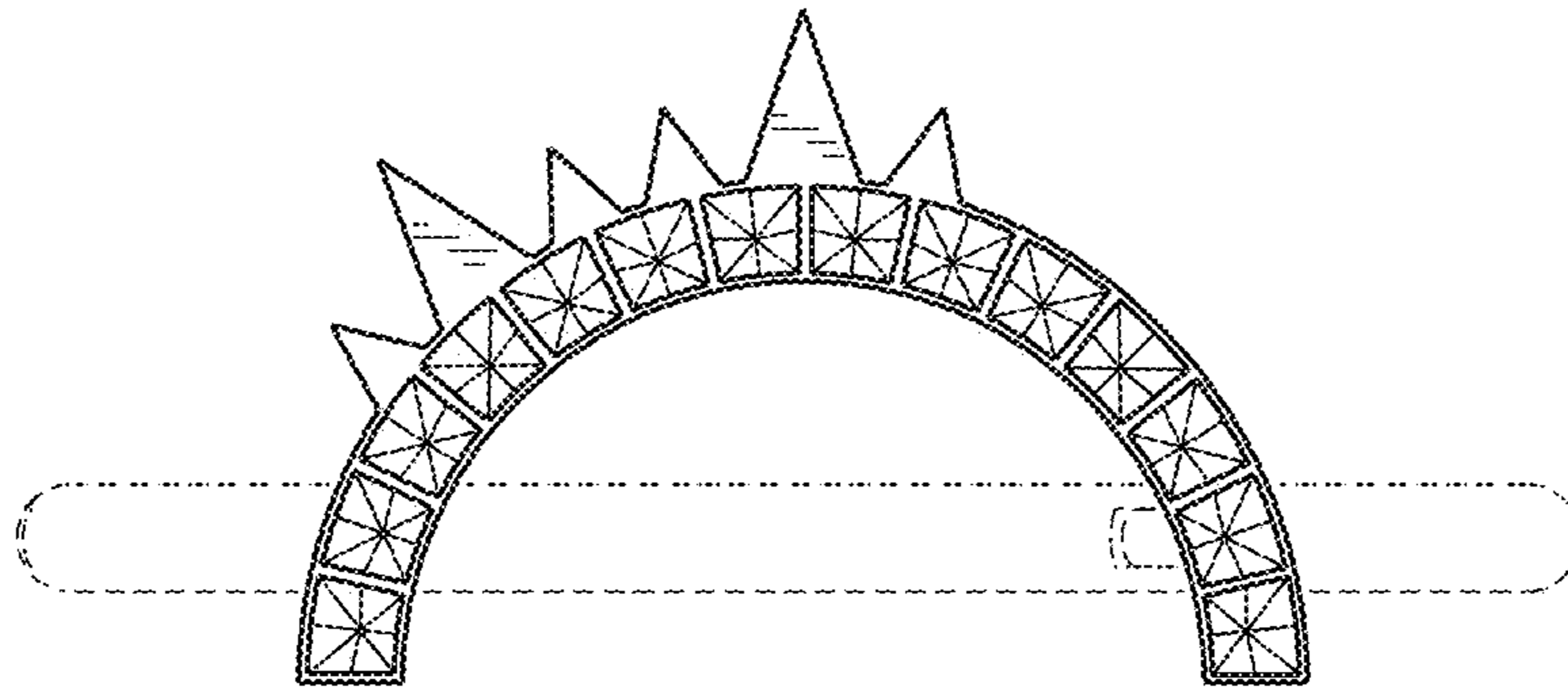


FIG. 13

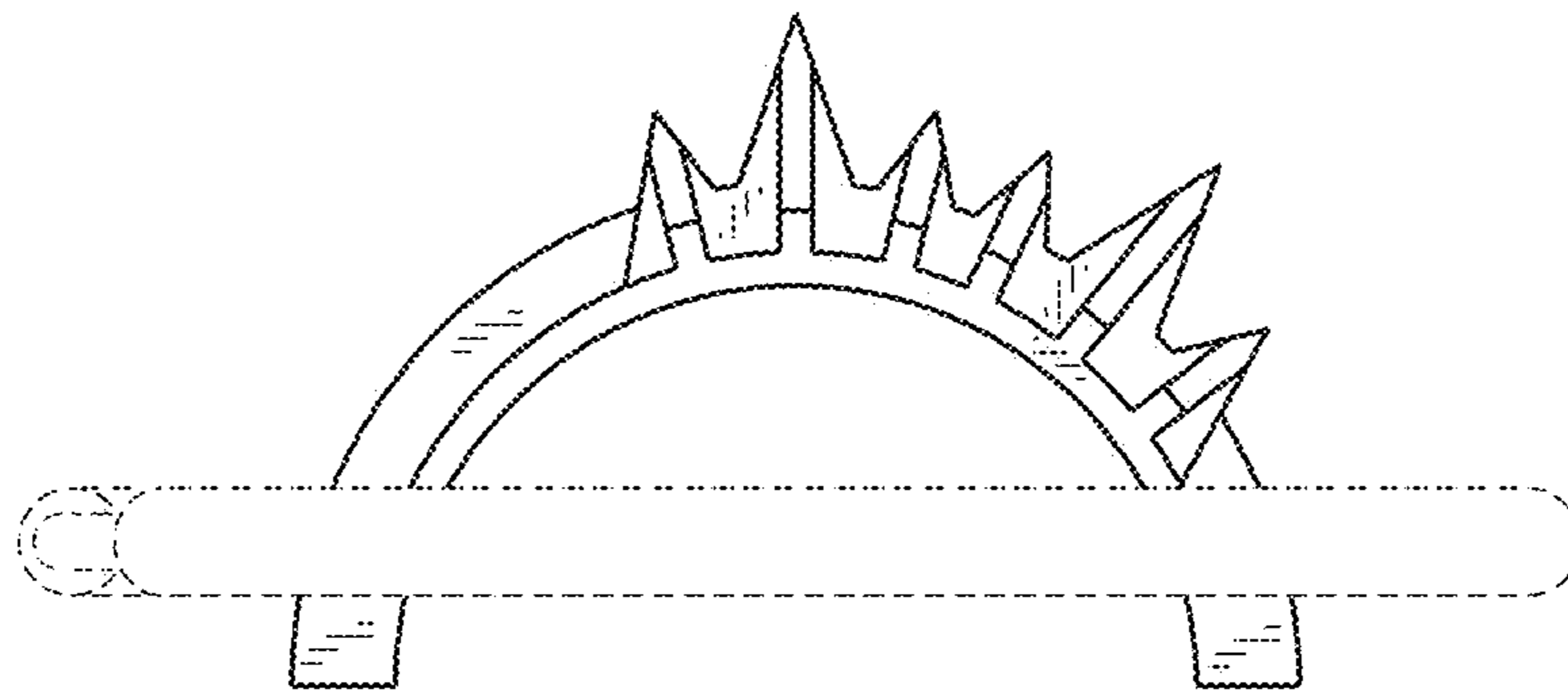


FIG. 14