

US00D926060S

(12) **United States Design Patent**
Chavara et al.

(10) **Patent No.:** **US D926,060 S**

(45) **Date of Patent:** **** Jul. 27, 2021**

(54) **MEASURING SCALE**

7,256,357 B1 * 8/2007 Kesselman G01G 19/005
177/25.15

(71) Applicants: **Tom Chavara**, Providence, RI (US);
Jeremy O'Halloran, Brentwood, PA
(US)

D587,609 S * 3/2009 Marmier D10/91
D596,517 S * 7/2009 Kesselman D10/91
D655,213 S * 3/2012 Pan D10/91
D679,208 S * 4/2013 Depauw D10/91

(72) Inventors: **Tom Chavara**, Providence, RI (US);
Jeremy O'Halloran, Brentwood, PA
(US)

OTHER PUBLICATIONS

(73) Assignee: **Helen of Troy Limited**, St. Michael
(BB)

<https://www.oxo.com/51b-food-scale-w-pull-out-display-black.html>, publicly available prior to Jul. 22, 2019.

(**) Term: **15 Years**

* cited by examiner

(21) Appl. No.: **29/698,902**

Primary Examiner — Antoine Duval Davis

(22) Filed: **Jul. 22, 2019**

(74) *Attorney, Agent, or Firm* — Rankin, Hill & Clark
LLP

(51) **LOC (13) Cl.** **10-04**

(57) **CLAIM**

(52) **U.S. Cl.**
USPC **D10/91**

The ornamental design for a measuring scale, as shown, and described.

(58) **Field of Classification Search**
USPC D10/91
CPC G01G 19/40; G01G 19/41; G01G 19/413;
G01G 19/414; G01G 19/4144; G01G
19/42; G01G 23/3728; G01G 23/3735;
G01G 21/28; G01G 21/283; G01G
21/286; G01G 21/30; G06Q 20/208
See application file for complete search history.

DESCRIPTION

(56) **References Cited**

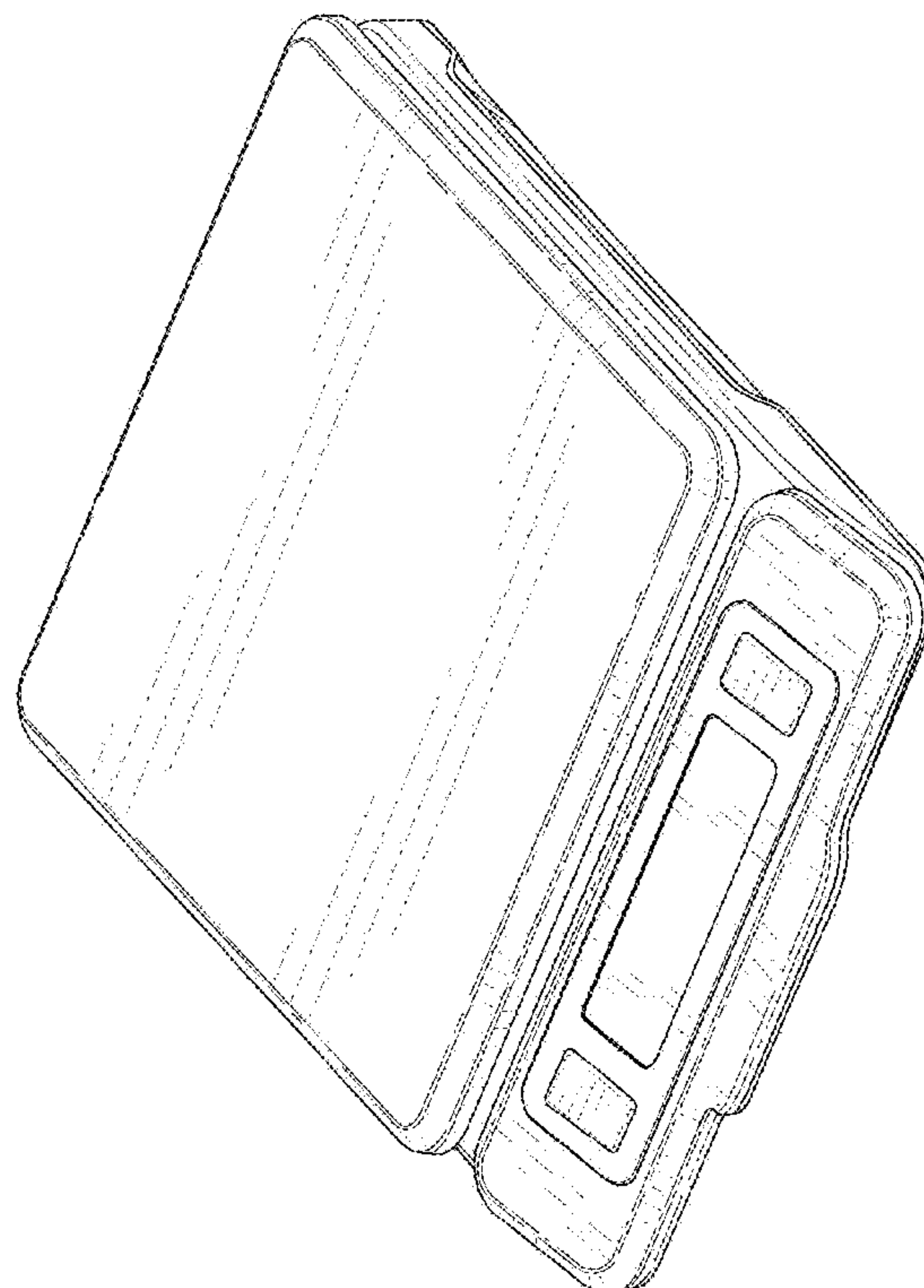
FIG. 1 is a perspective view of a measuring scale;
FIG. 2 is a top plan view thereof;
FIG. 3 is a bottom plan view thereof;
FIG. 4 is a right elevation view thereof, the left elevation
view being a mirror image thereof;
FIG. 5 is a front view thereof; and,
FIG. 6 is a rear view thereof.

U.S. PATENT DOCUMENTS

The broken lines represent unclaimed matter and form no part of the claimed design.

D285,541 S * 9/1986 Elkerbout D10/91
D367,015 S * 2/1996 Brooks, Jr. D10/91

1 Claim, 6 Drawing Sheets



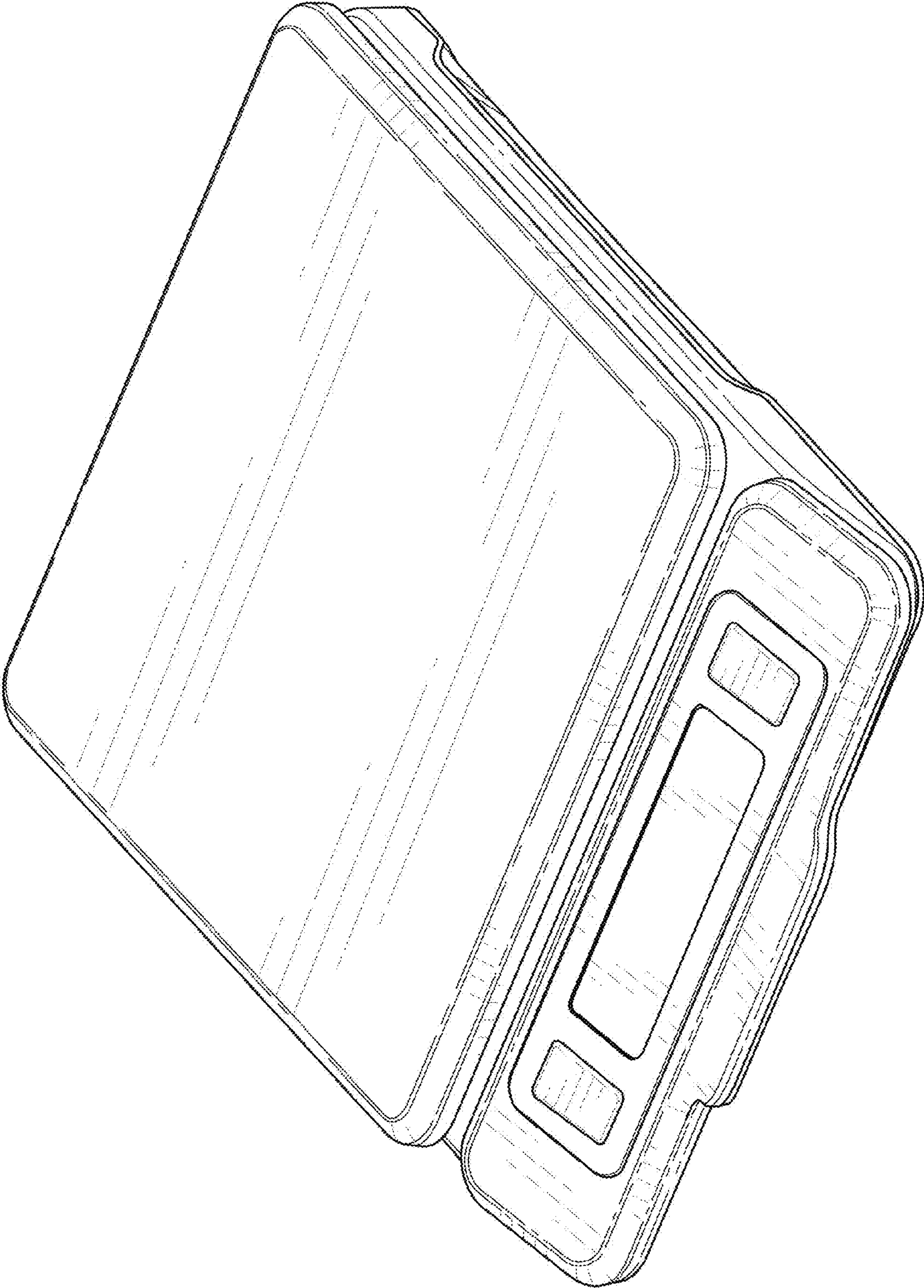


FIG. 1

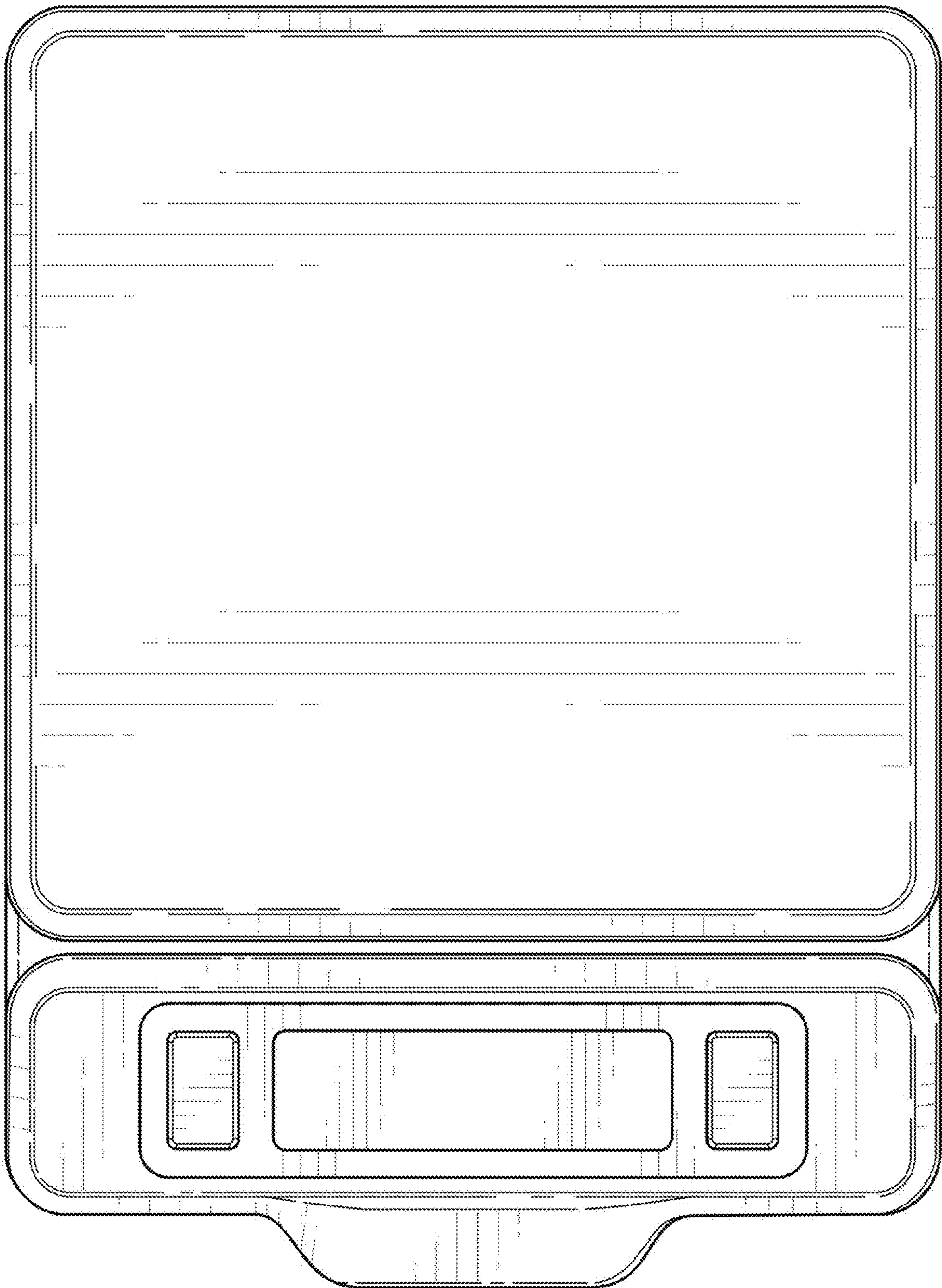


FIG. 2

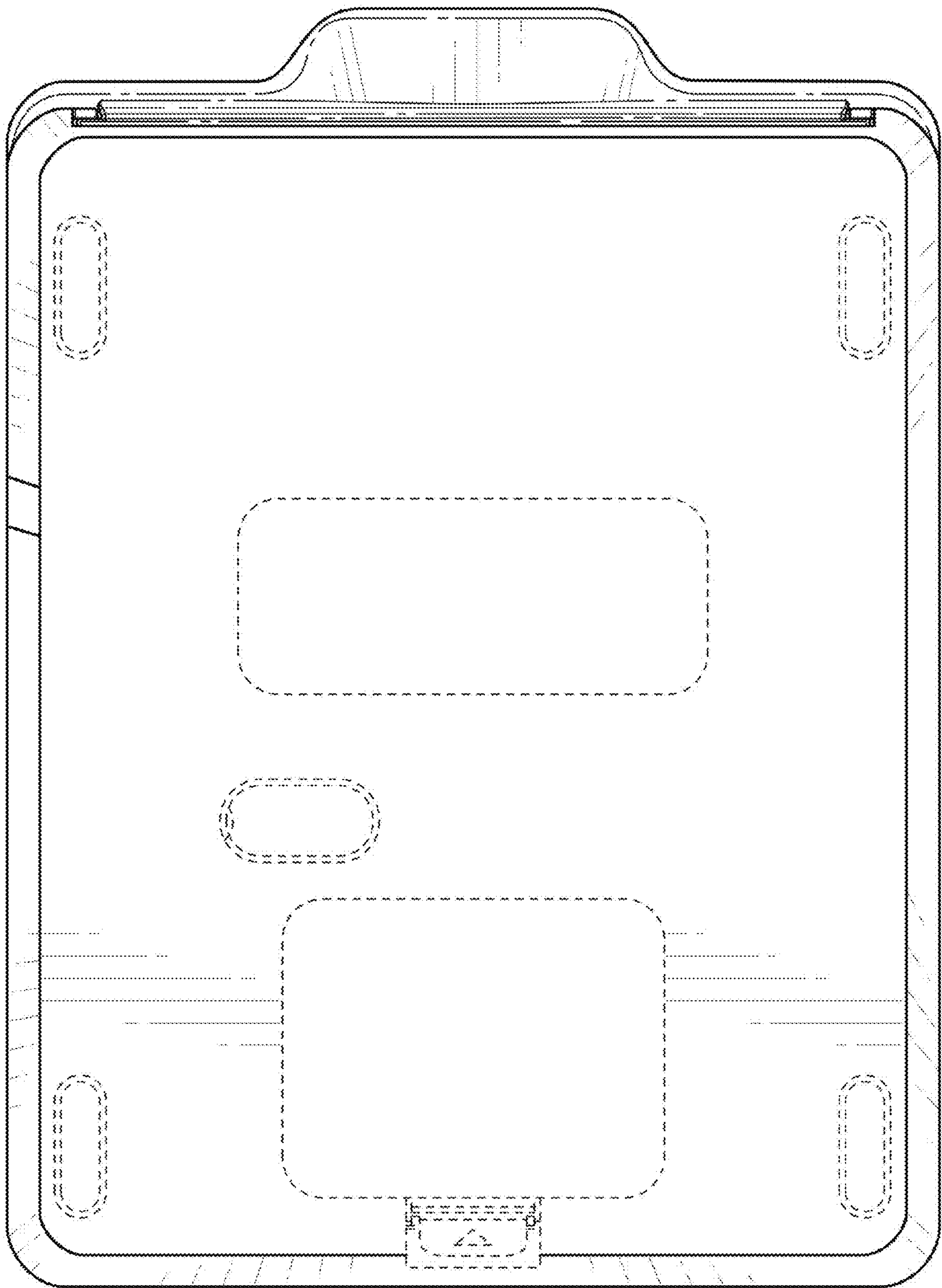


FIG. 3

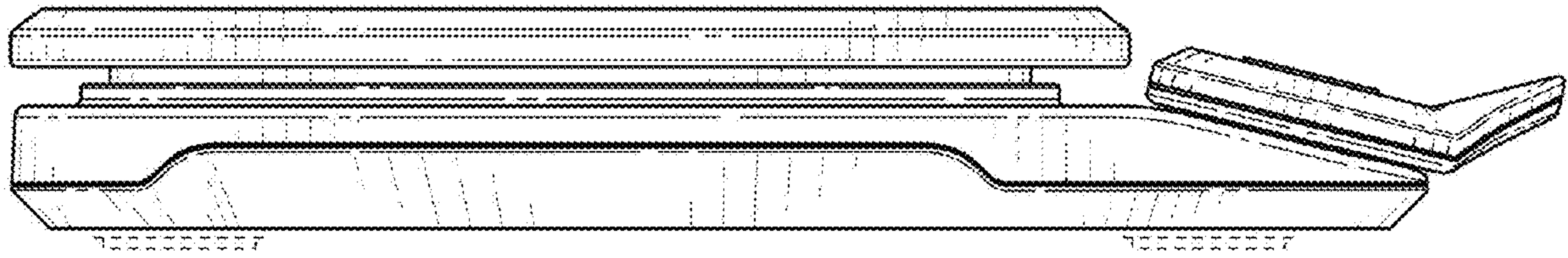


FIG. 4



FIG. 5

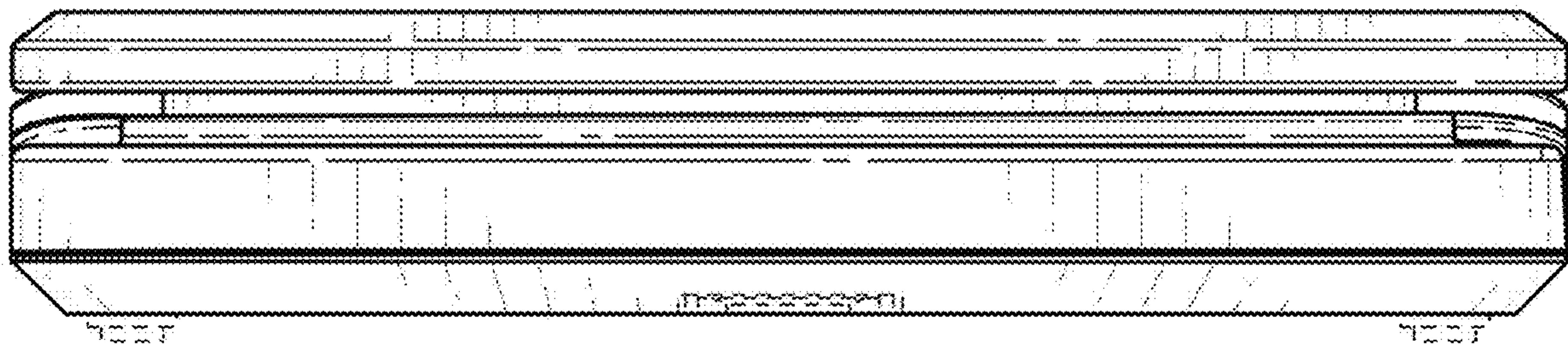


FIG. 6