



US00D926059S

(12) **United States Design Patent** (10) **Patent No.:** **US D926,059 S**
Li (45) **Date of Patent:** **** Jul. 27, 2021**

(54) **ALCOHOLOMETER**

(56) **References Cited**

(71) Applicants: **U De Toptech Electronic technology Co., Ltd**, Hunan (CN); **U De Toptech technology (HK) Co., Ltd**, Hunan (CN)

U.S. PATENT DOCUMENTS

D376,753	S	*	12/1996	Nakamura	D8/374
D429,273	S	*	8/2000	Maree	D10/78
D445,702	S	*	7/2001	Hughes	D10/78
D756,820	S	*	5/2016	Rekow	D10/81
2015/0247837	A1	*	9/2015	Kawabata	G01N 33/483 702/19
2016/0022172	A1	*	1/2016	Frandsen	A61B 5/082 205/782

(72) Inventor: **Liang Li**, Hunan (CN)

* cited by examiner

(73) Assignees: **U DE TOPTECH ELECTRONIC TECHNOLOGY CO., LTD**, Changsha (CN); **U DE TOPTECH TECHNOLOGY (HK) CO., LTD**, Changsha (CN)

Primary Examiner — Antoine Duval Davis

(**) Term: **15 Years**

(57) **CLAIM**

(21) Appl. No.: **29/697,287**

The ornamental design for an alcoholometer, as shown and described.

(22) Filed: **Jul. 7, 2019**

DESCRIPTION

(51) **LOC (13) Cl.** **10-04**

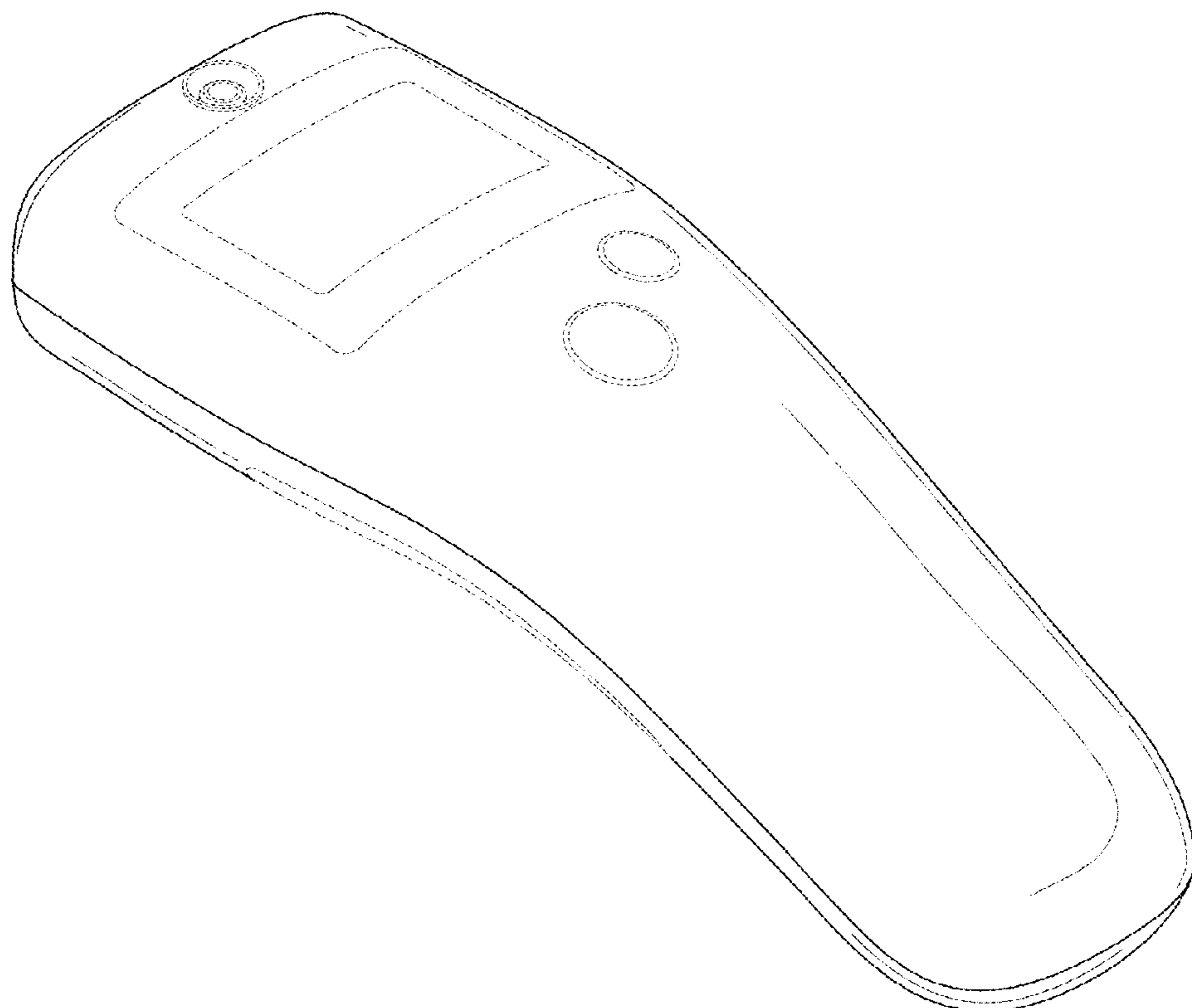
(52) **U.S. Cl.**
USPC **D10/81**

(58) **Field of Classification Search**
USPC D10/78, 81
CPC A61B 5/083; A61B 5/087; A61B 5/0833; A61B 5/091; A61B 5/222; A61B 5/0002; A61B 5/02438; A61B 5/08; A61B 5/0836; A61B 5/097; A61B 5/682; G01N 33/497; G01N 33/4972; G01N 33/483; G01N 33/98; G10L 17/00; Y10S 436/90; A61M 16/00

FIG. 1 is a perspective view of an alcoholometer showing my new design;
FIG. 2 is a front view thereof;
FIG. 3 is a rear view thereof;
FIG. 4 is a left side view thereof;
FIG. 5 is a right side view thereof;
FIG. 6 is a top view thereof; and,
FIG. 7 is a bottom view thereof.
The broken lines in the drawings represent portions of the alcoholometer that form no part of the claimed design.

See application file for complete search history.

1 Claim, 6 Drawing Sheets



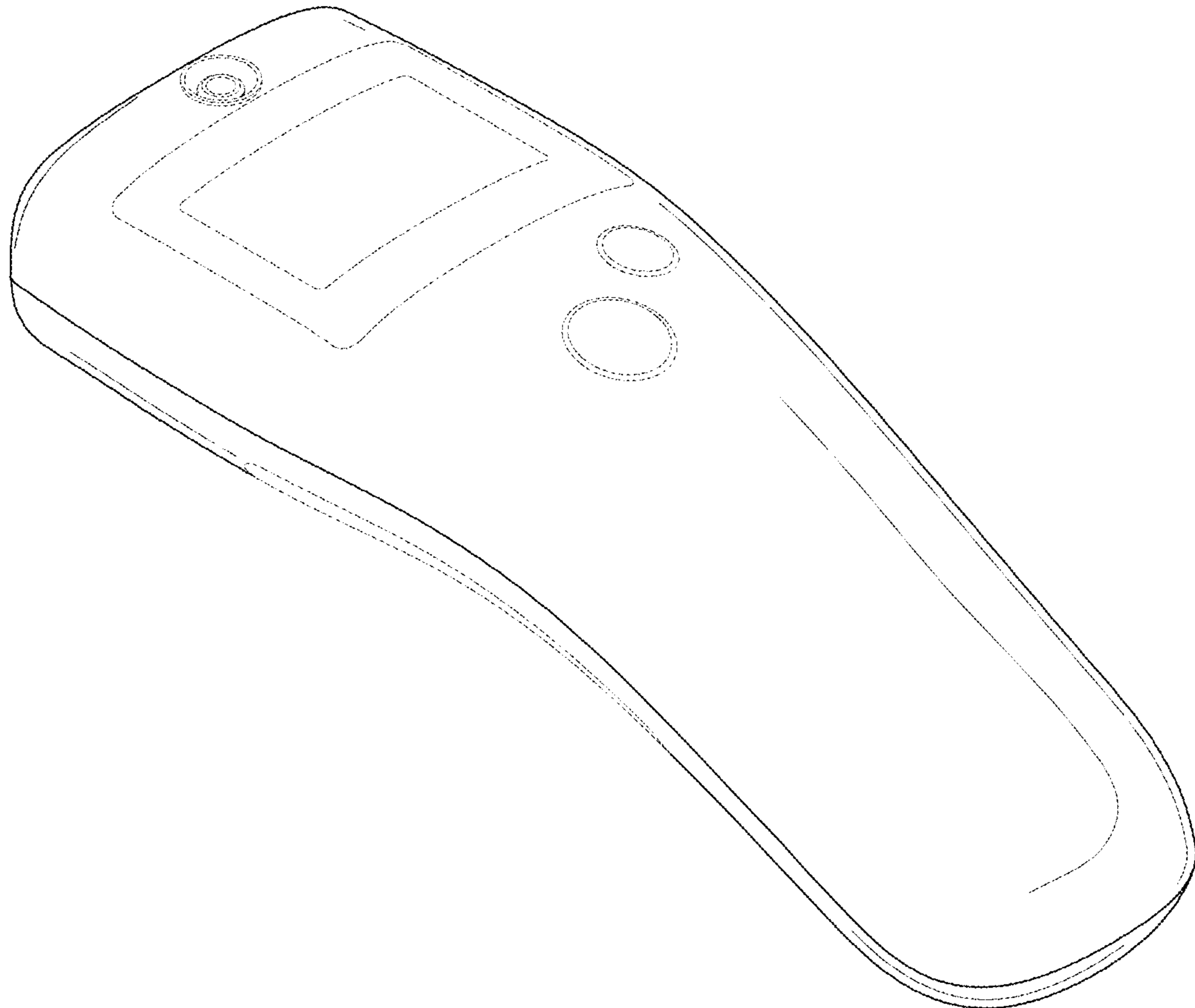


FIG. 1

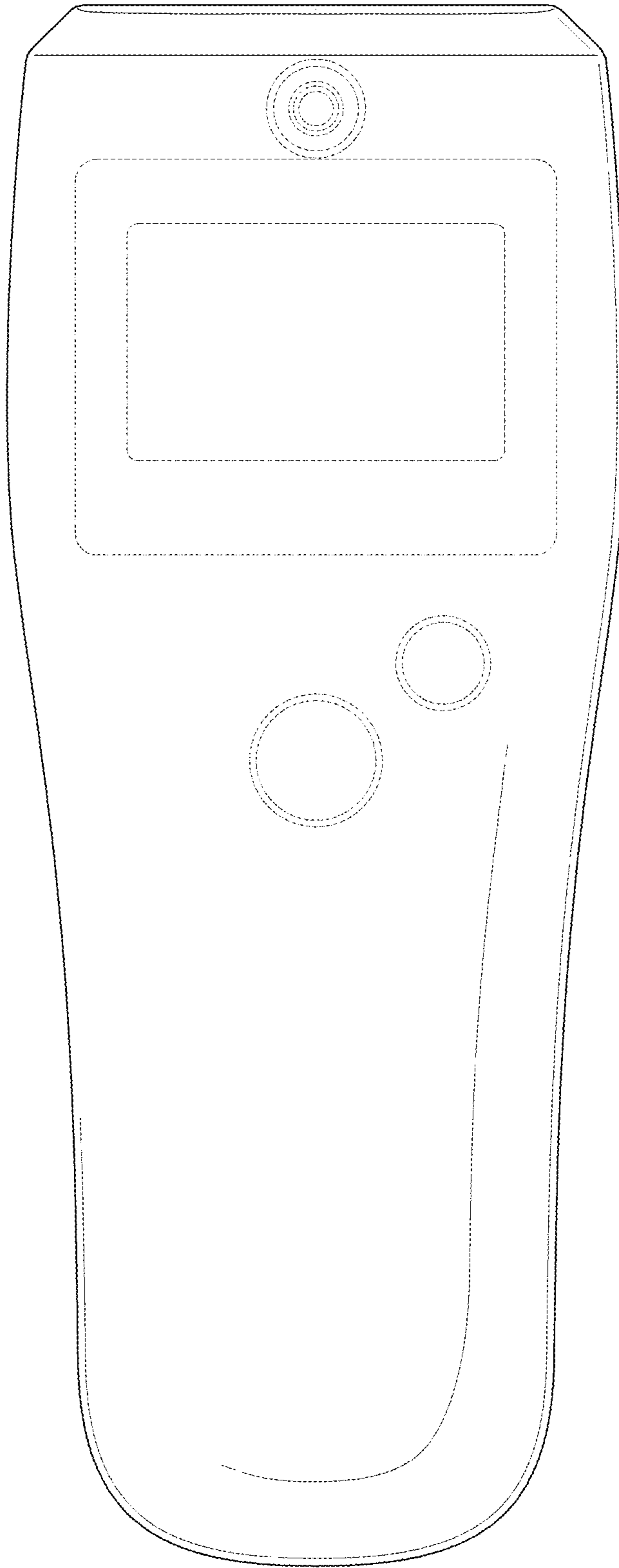


FIG. 2

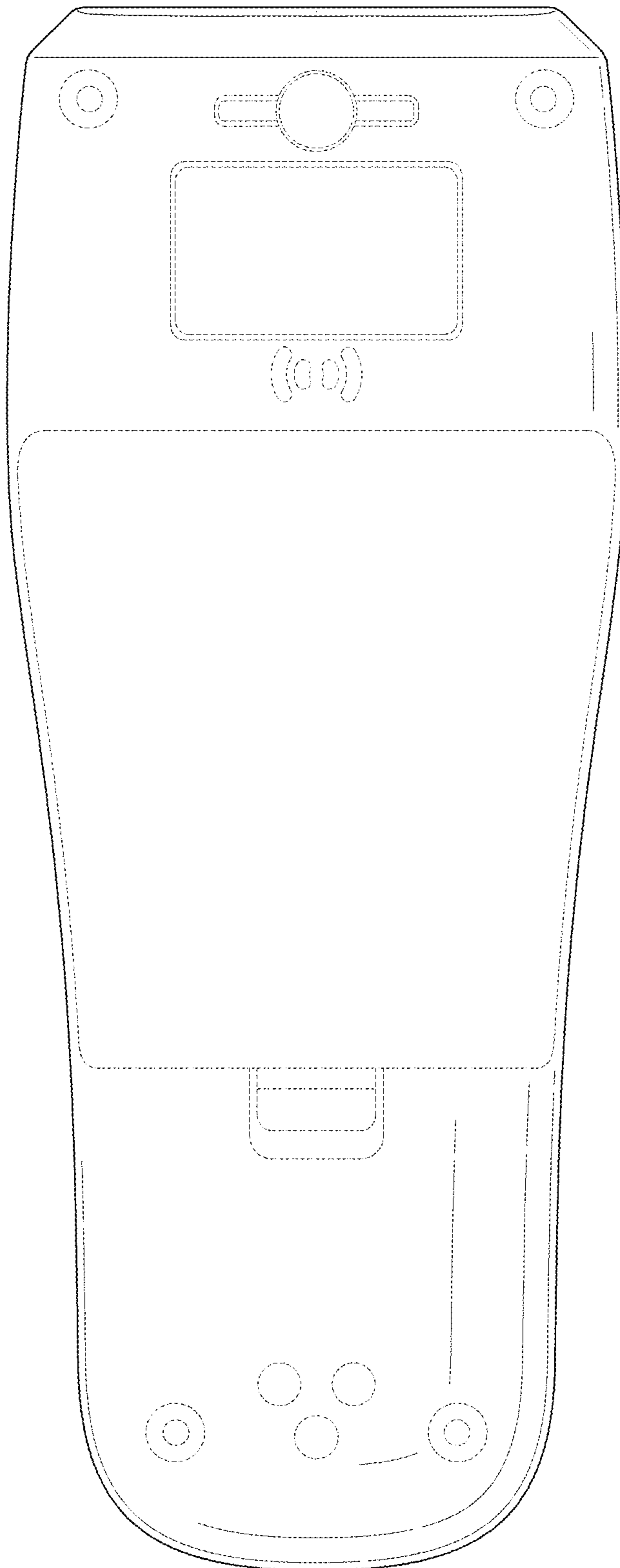


FIG. 3

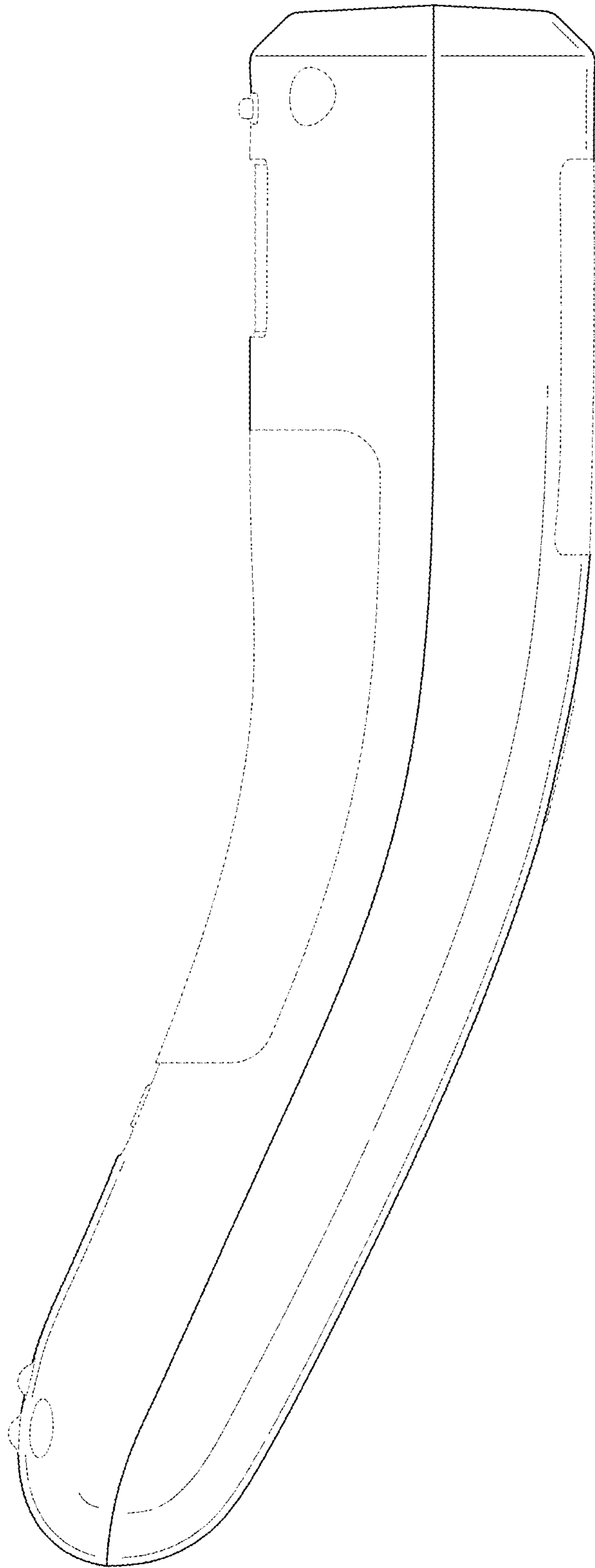


FIG. 4

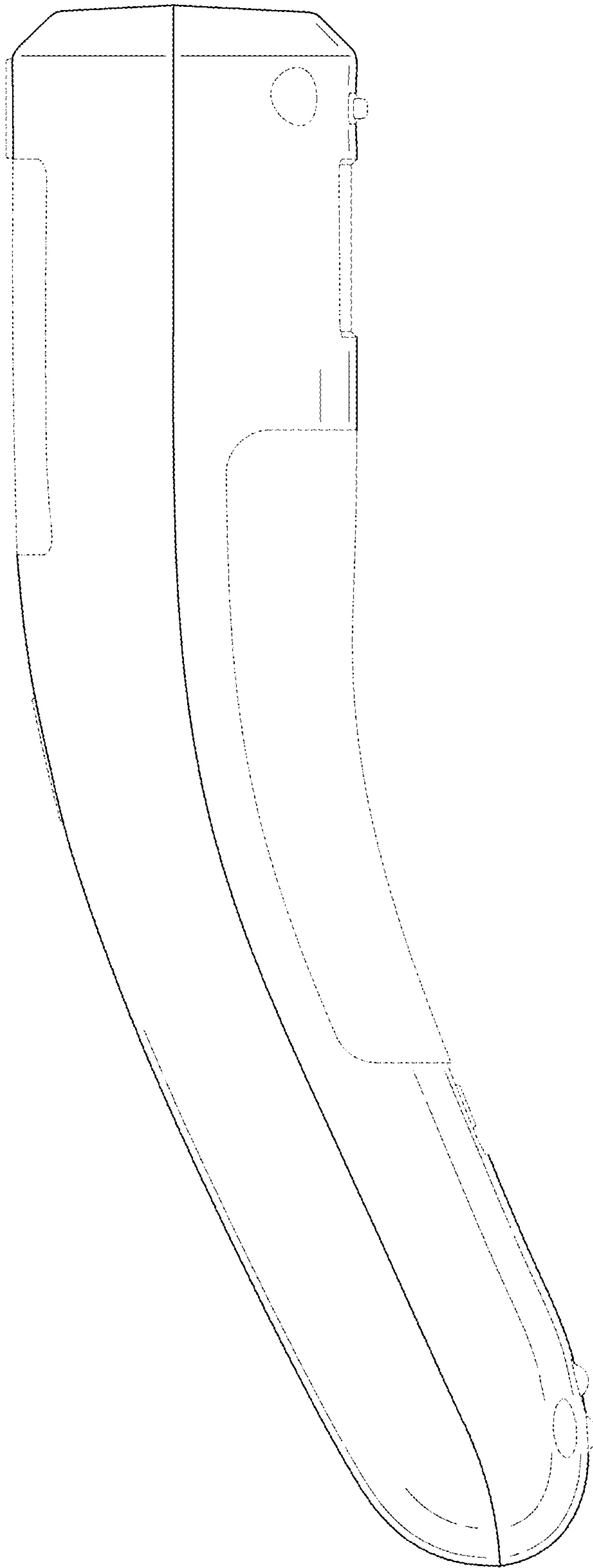


FIG. 5

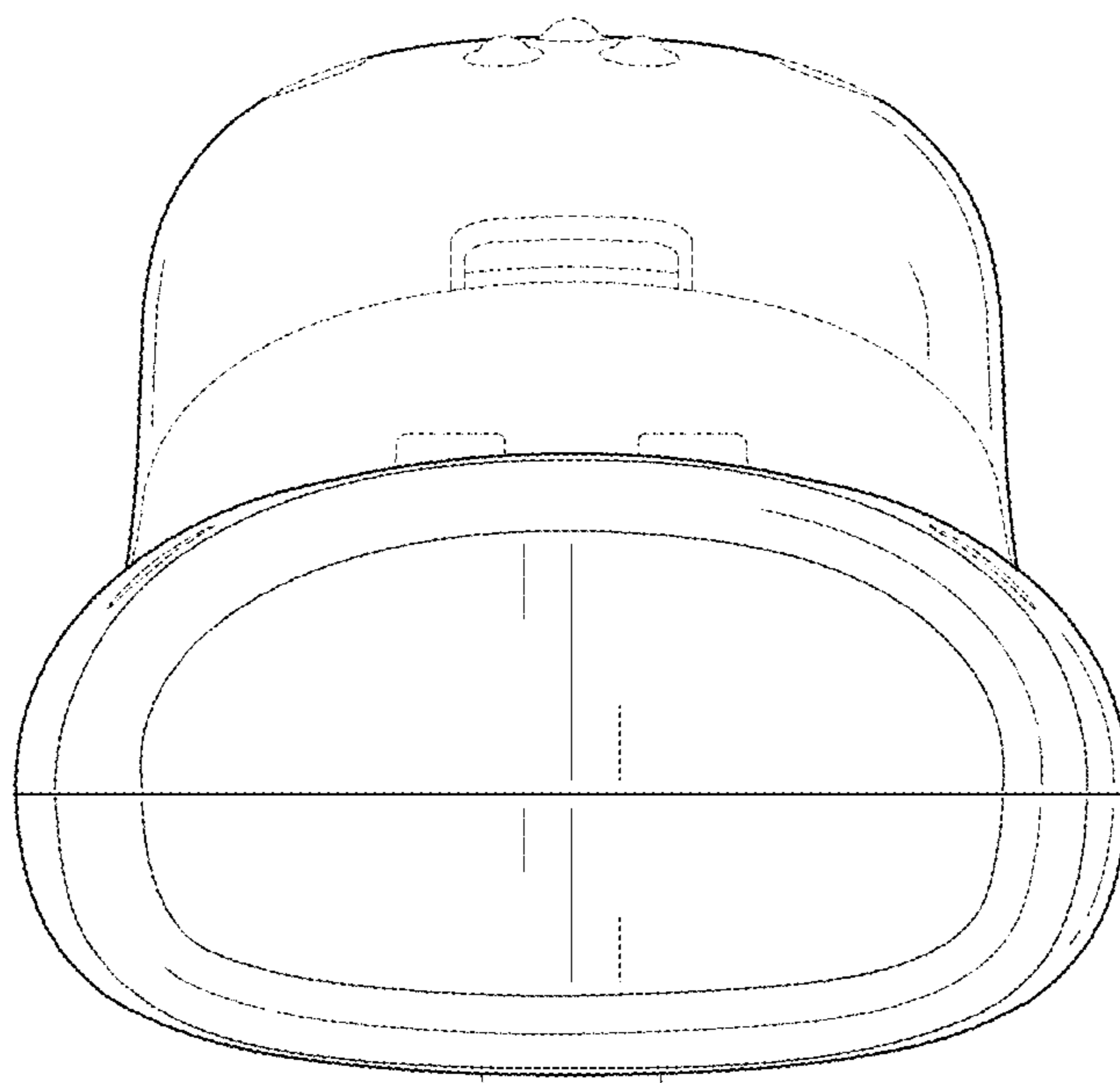


FIG. 6

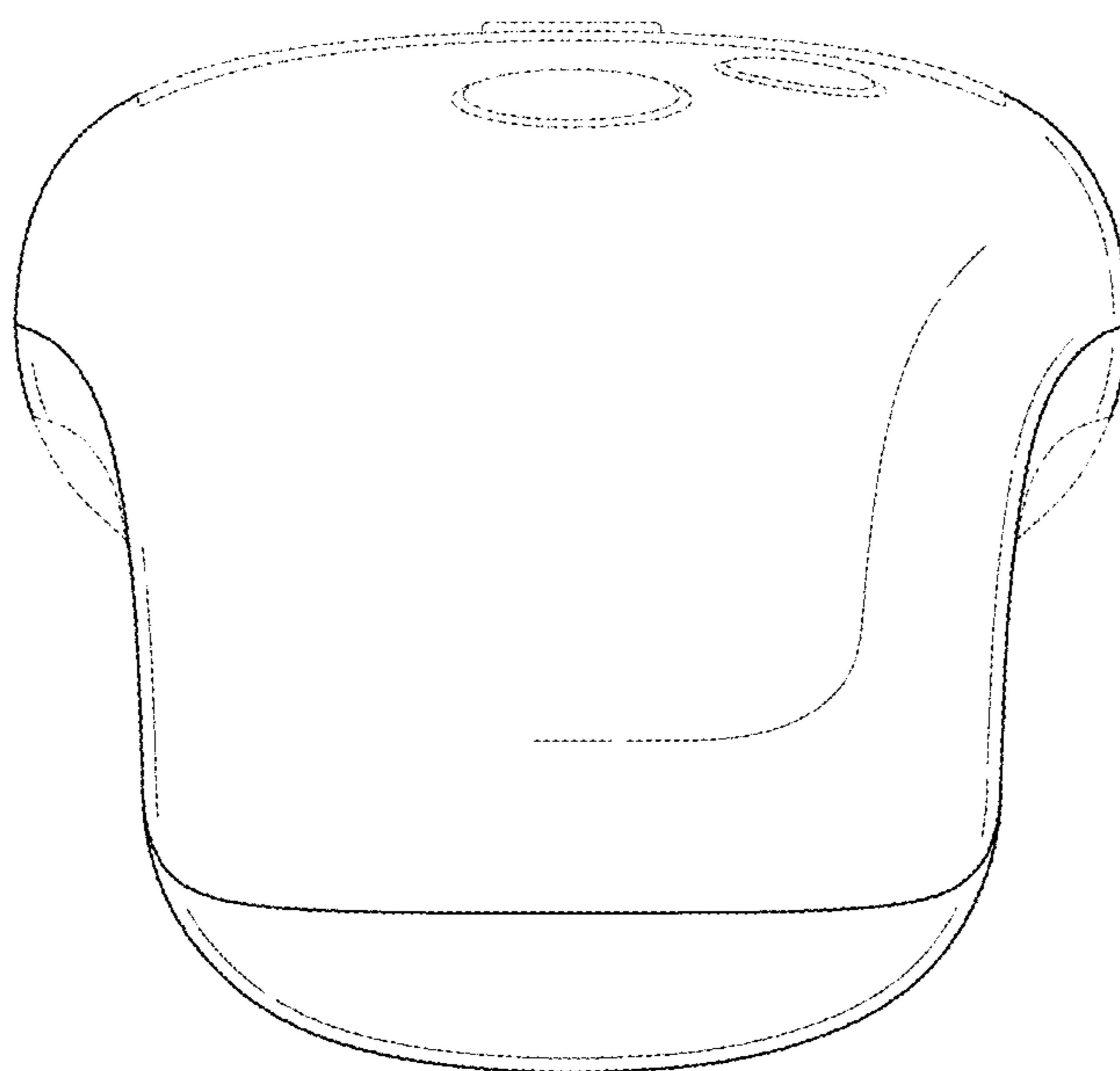


FIG. 7