



US00D926057S

(12) **United States Design Patent** (10) **Patent No.:** **US D926,057 S**  
**Moses** (45) **Date of Patent:** **\*\* Jul. 27, 2021**

(54) **ROOFTOP SENSOR**

(71) Applicant: **SAGE ELECTROCHROMICS, INC.**,  
Faribault, MN (US)

(72) Inventor: **Erik Moses**, Carol Stream, IL (US)

(73) Assignee: **SAGE ELECTROCHROMICS, INC.**,  
Faribault, MN (US)

(\*\*) Term: **15 Years**

(21) Appl. No.: **29/692,271**

(22) Filed: **May 23, 2019**

(51) **LOC (13) Cl.** ..... **10-04**

(52) **U.S. Cl.**  
USPC ..... **D10/70**

(58) **Field of Classification Search**  
USPC ..... D10/46, 65, 70, 74, 97, 98, 103  
CPC ..... G01S 7/4808; G01S 7/481; G01S 7/4813;  
G01S 17/93; G01S 17/936; G01S 17/931;  
G01S 2007/027; G01S 13/931; G01S  
2013/93273; G01S 7/4817; G01S 17/42;  
G01S 7/4818; G01S 7/4865; G01S  
7/4873; G01S 17/10; G01S 2007/4975;  
G01S 7/4814; G01S 7/4816; G01S  
7/4802; G08G 1/16; B60R 11/04; B60R  
16/023; B60R 2011/004; B60R 2300/108;  
B60R 2300/301; B60R 11/00; B60Q  
1/503; B60Q 1/0023; E05F 15/443; E05Y  
2900/55; B60J 10/00; G01D 21/02; G05D  
1/0088; G06F 17/12; G06N 99/005;  
G02B 19/0028; G02B 19/0085; G02B  
26/106; G02B 26/108; G01C 3/08

See application file for complete search history.

(56) **References Cited**

U.S. PATENT DOCUMENTS

D826,746 S \* 8/2018 Qiu ..... D10/70  
D882,430 S \* 4/2020 Haban ..... D10/70  
D896,667 S \* 9/2020 Chapman ..... D10/65  
D915,913 S \* 4/2021 Ahn ..... D10/70

\* cited by examiner

*Primary Examiner* — Antoine Duval Davis

(74) *Attorney, Agent, or Firm* — Abel Schillinger, LLP;  
Robert N. Young

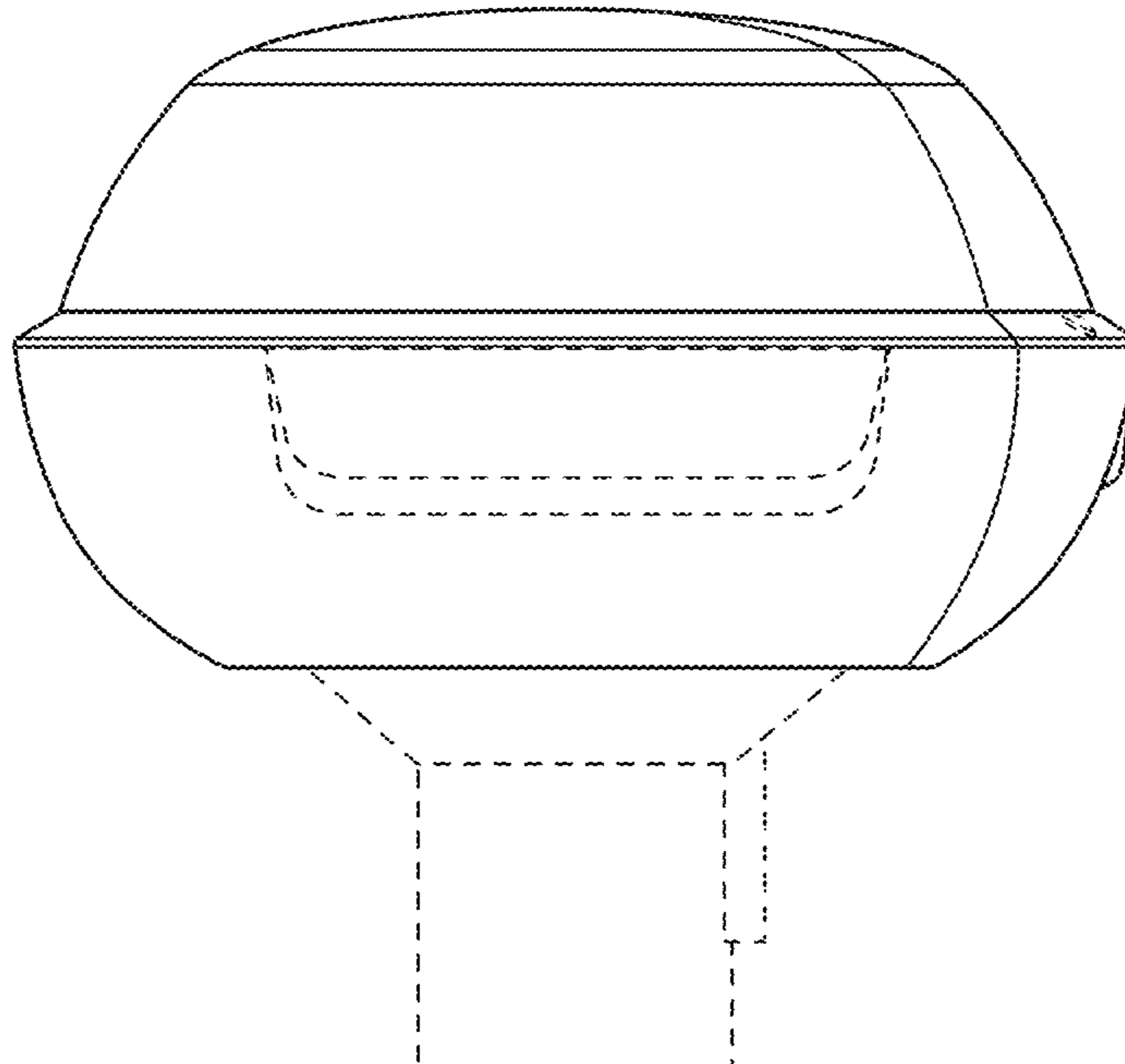
(57) **CLAIM**

The ornamental design of a rooftop sensor, as shown and described.

**DESCRIPTION**

FIG. 1 includes a perspective side view of a rooftop sensor assembly used on buildings to detect environmental conditions;  
FIG. 2 includes another perspective side view of the rooftop sensor;  
FIG. 3 includes a top elevation view of the rooftop sensor of FIG. 1;  
FIG. 4 includes a bottom perspective of the rooftop sensor of FIG. 1;  
FIG. 5 includes a plan view of a protrusion area;  
FIG. 6 includes a perspective side view of the protrusion area;  
FIG. 7 includes a bottom view of the bottom housing piece of the rooftop sensor of FIG. 1;  
FIG. 8 includes a top elevation view of the bottom housing piece of the rooftop sensor of FIG. 1; and,  
FIG. 9 includes a top view of the rooftop sensor of FIG. 1. The broken lines showing support portions are for illustrative purposes only and form no part of the claimed design.

**1 Claim, 5 Drawing Sheets**



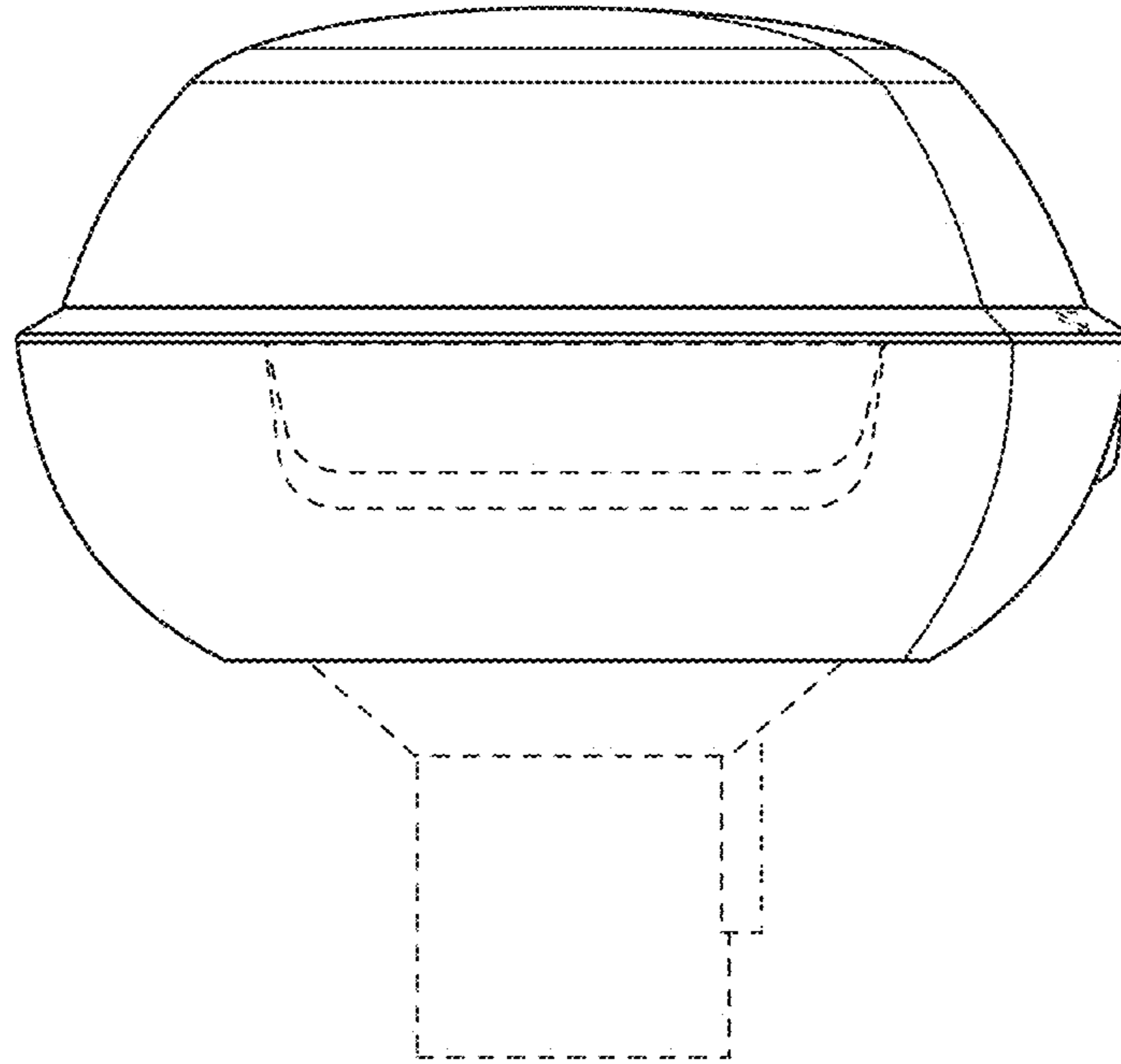


FIG. 1

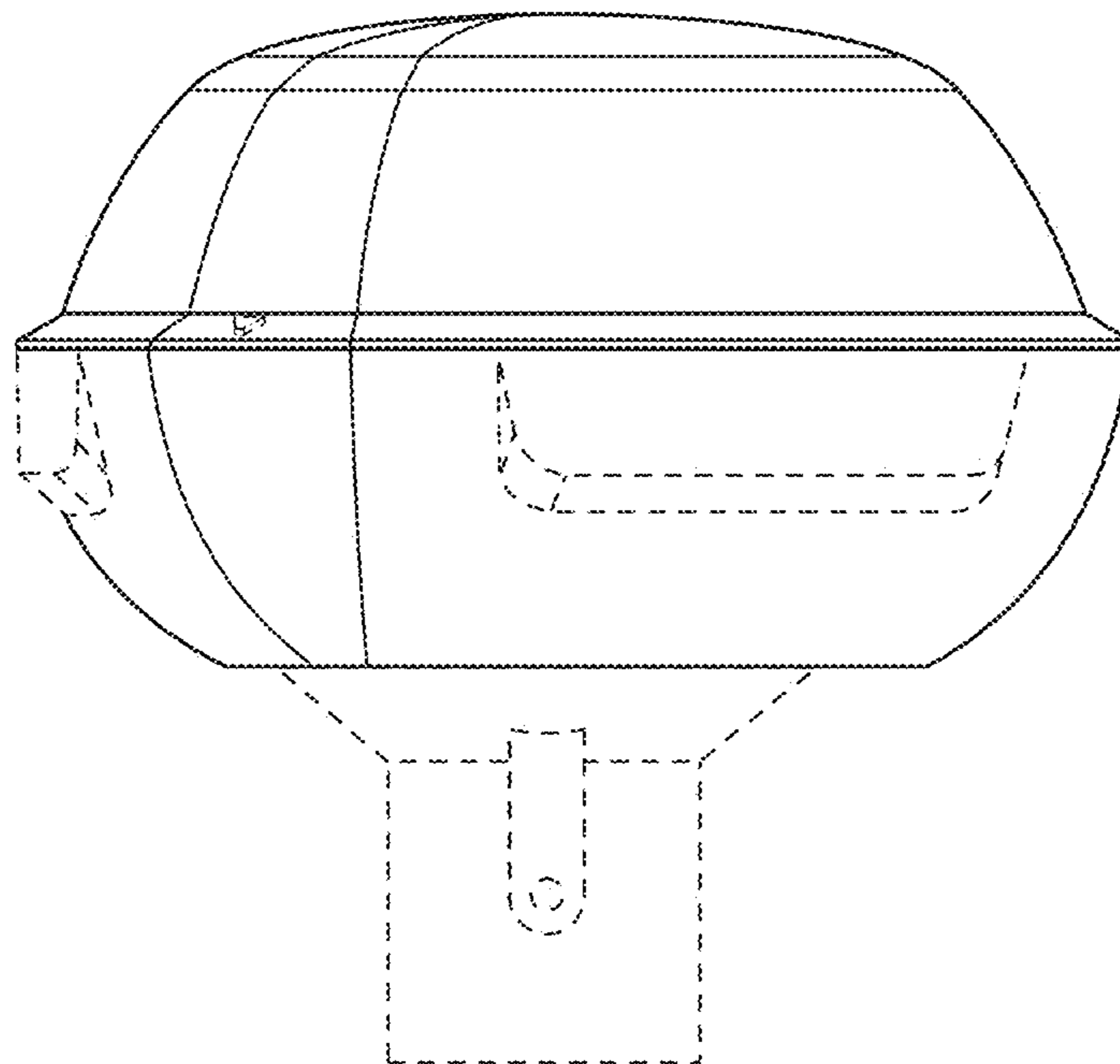


FIG. 2

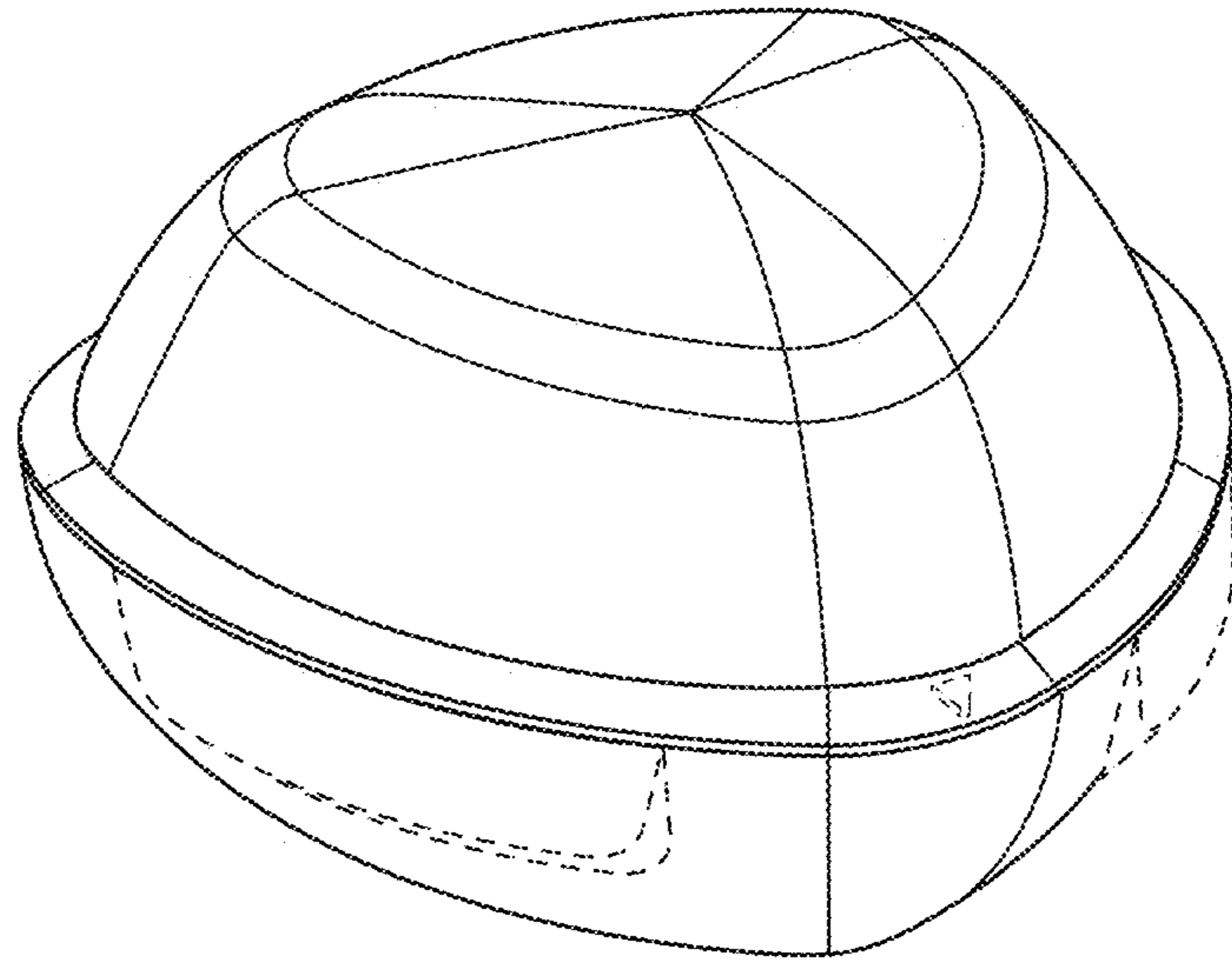


FIG. 3

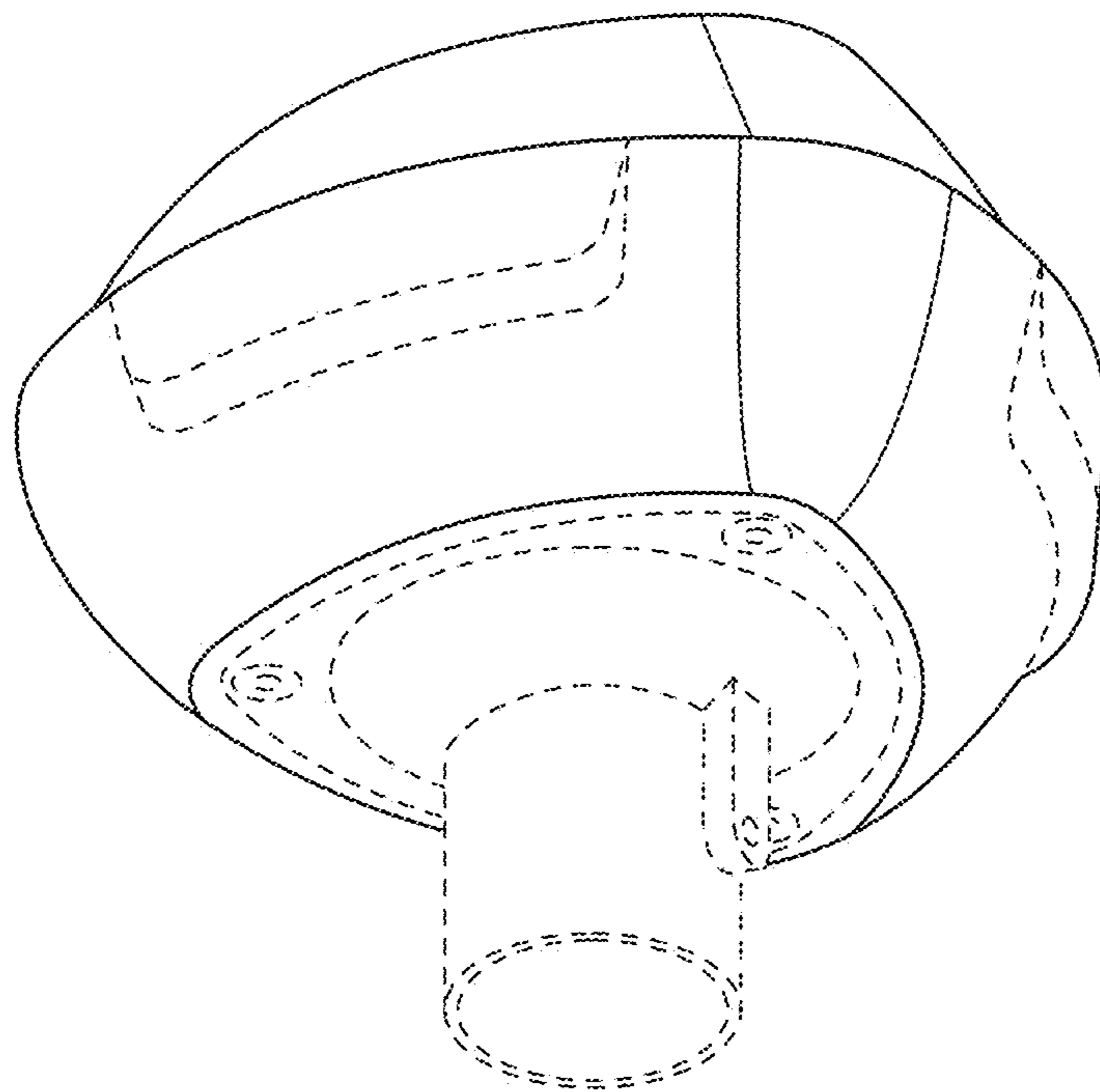


FIG. 4

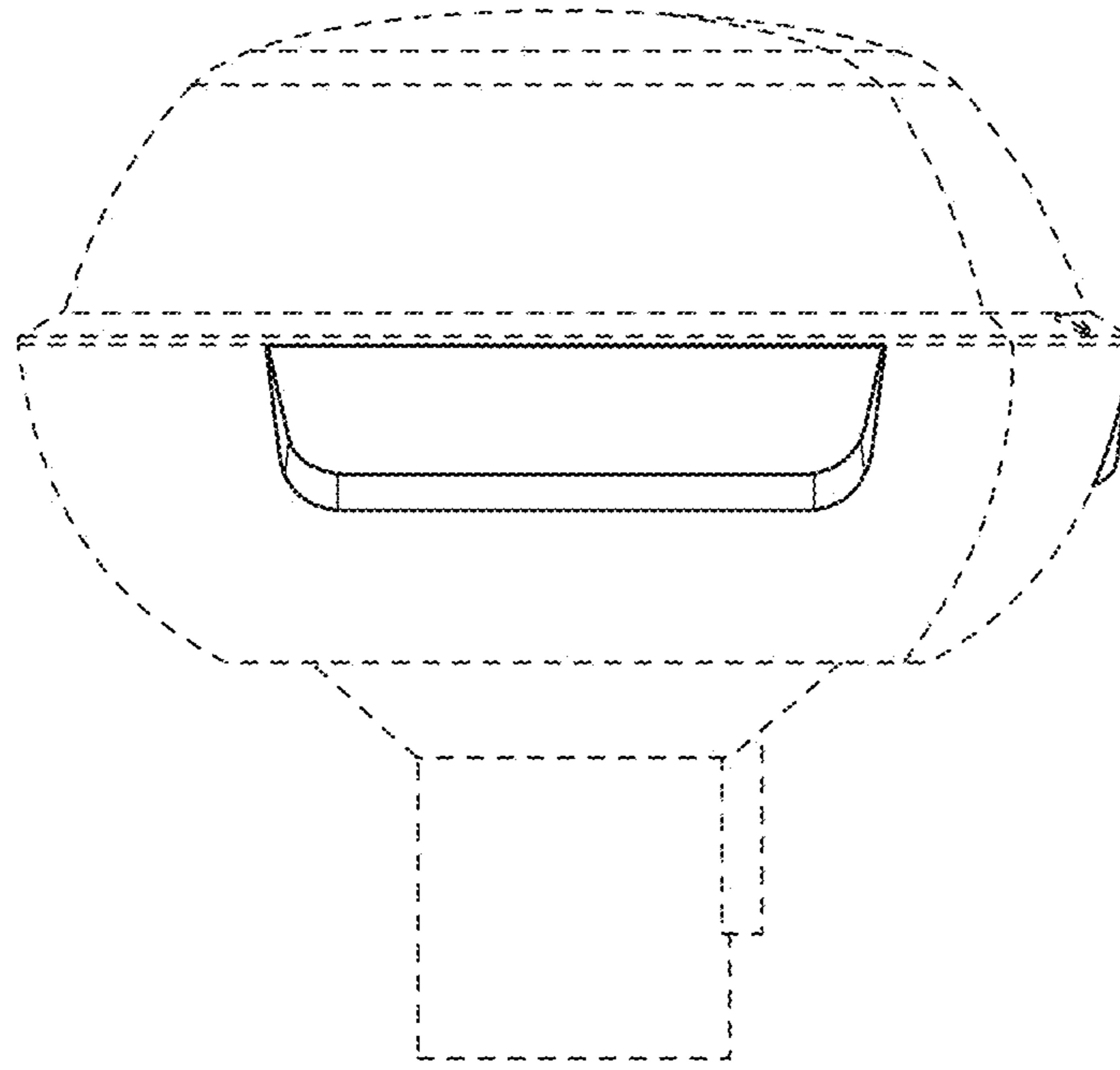


FIG. 5

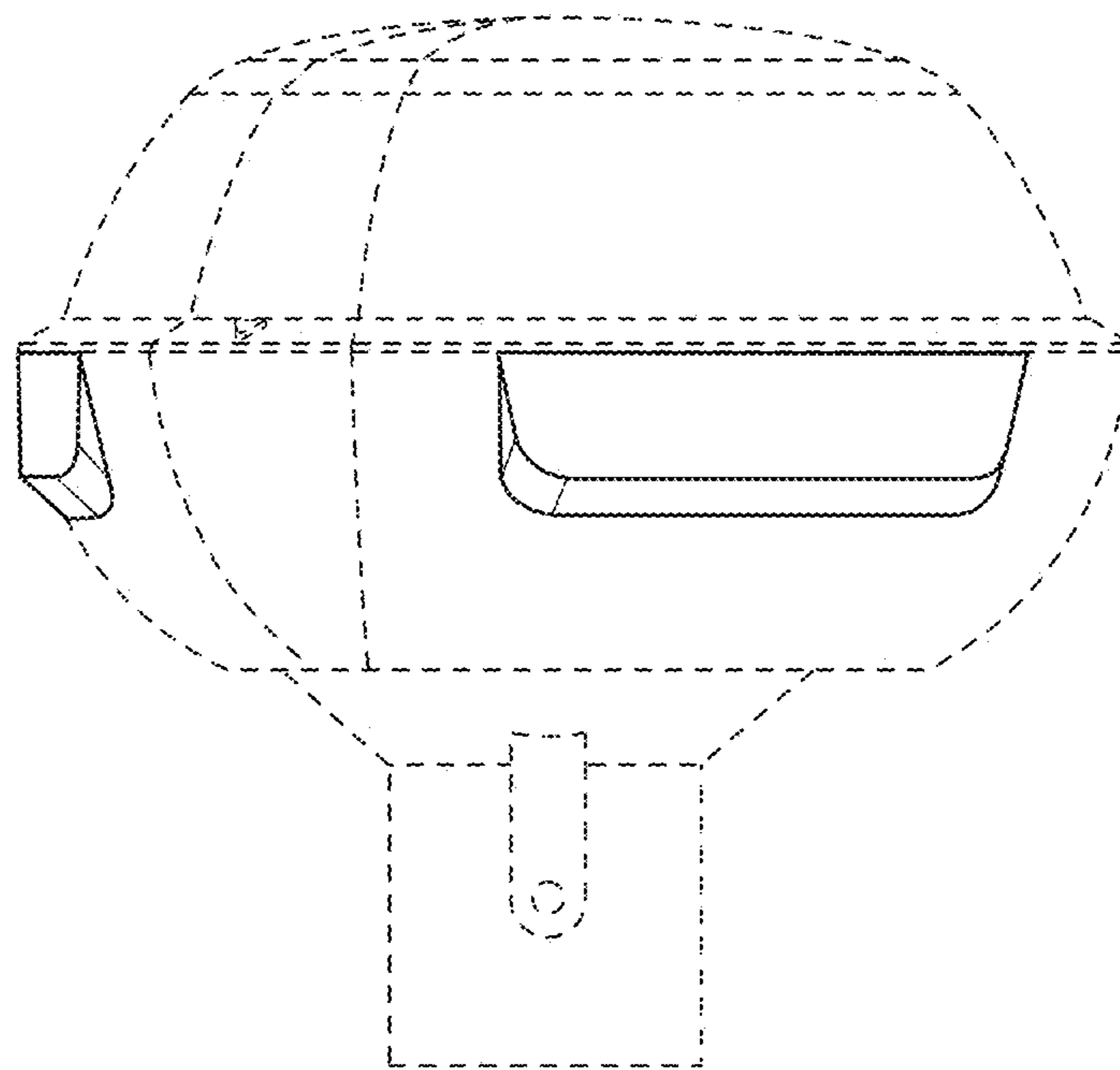


FIG. 6

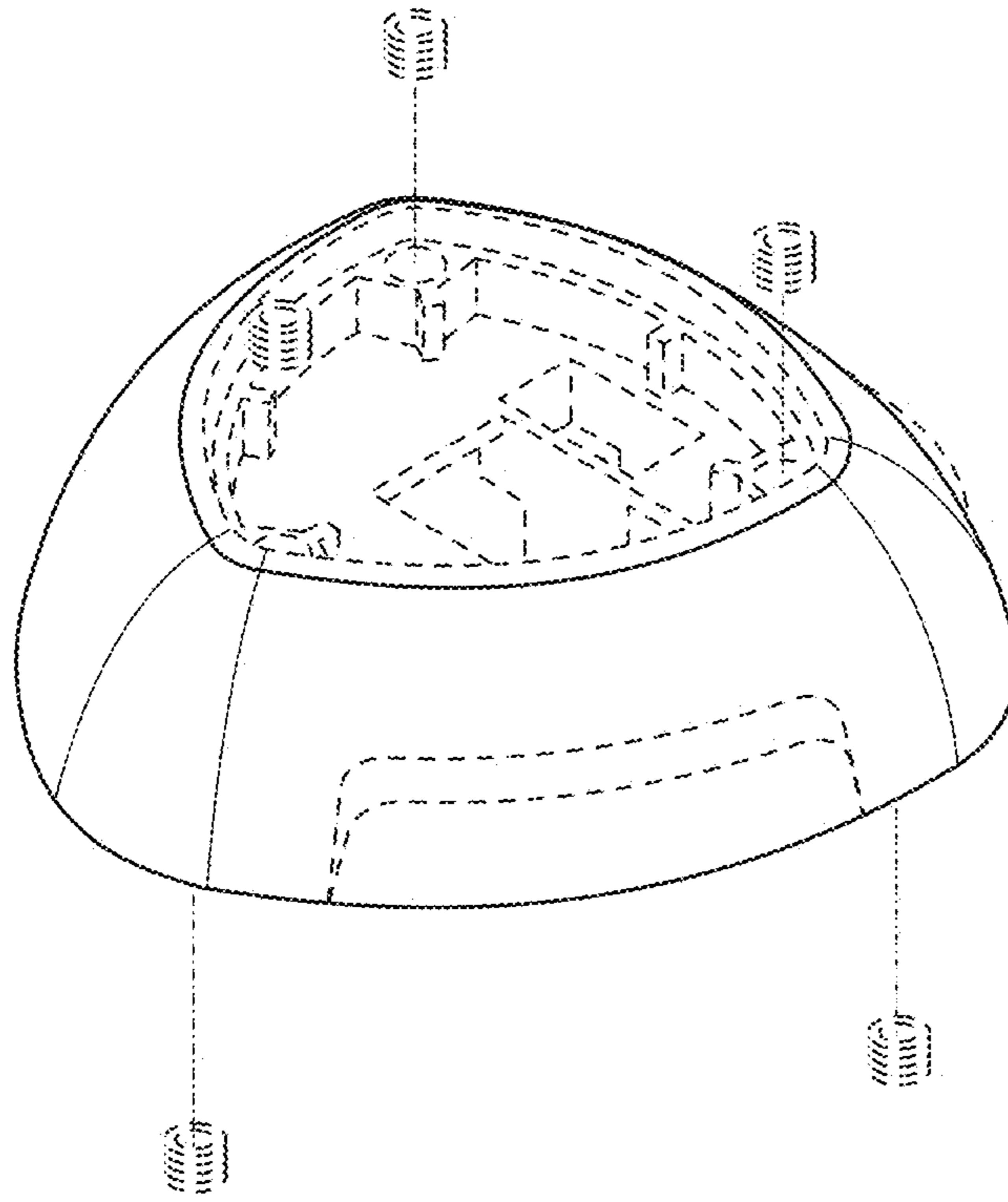


FIG. 7

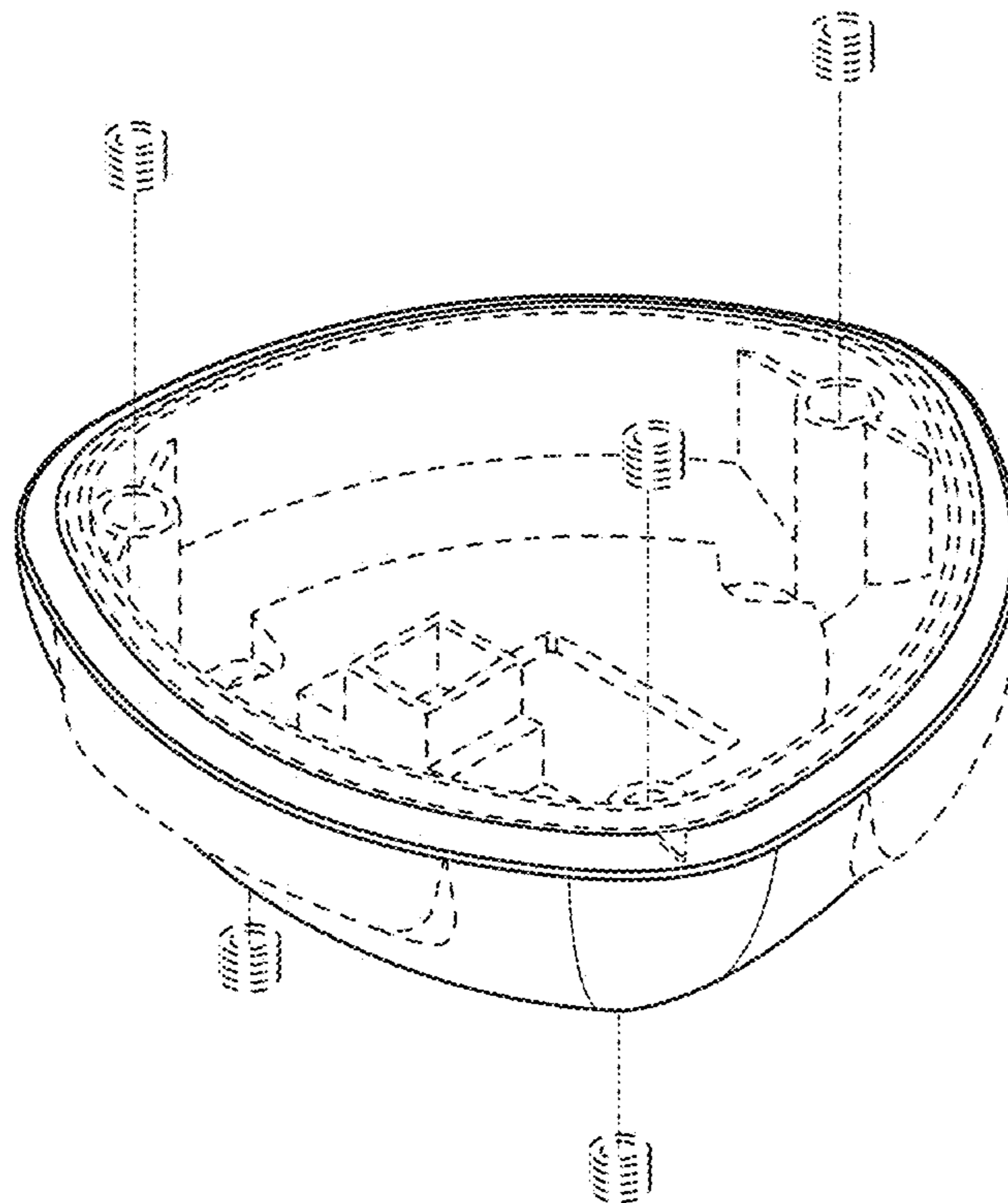
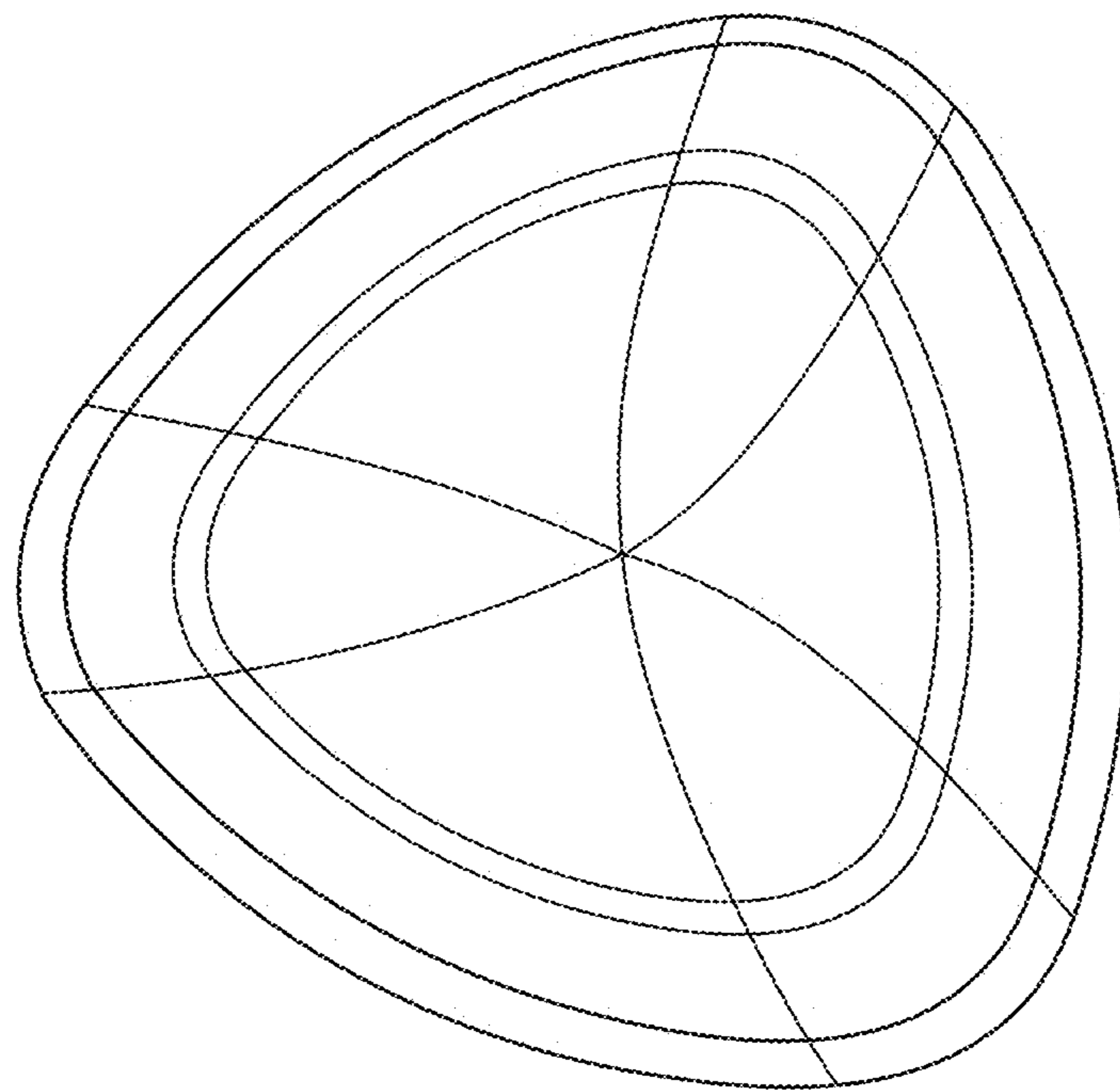


FIG. 8



*FIG. 9*