



US00D926055S

(12) **United States Design Patent** (10) **Patent No.:** **US D926,055 S**
Inoue (45) **Date of Patent:** **** Jul. 27, 2021**

(54) **WATCHCASE**

(71) Applicant: **Citizen Watch Co., Ltd.**, Nishitokyo (JP)

(72) Inventor: **Hideki Inoue**, Musashino (JP)

(73) Assignee: **Citizen Watch Co., Ltd.**

(**) Term: **15 Years**

(21) Appl. No.: **29/729,898**

(22) Filed: **Mar. 31, 2020**

(51) **LOC (13) Cl.** **10-02**

(52) **U.S. Cl.**
USPC **D10/38**

(58) **Field of Classification Search**
USPC D10/30-39, 121-132; D14/344
CPC G04B 19/00; G04B 19/046; G04B 19/065;
G04B 19/10; G04B 19/12; G04B 19/18;
G04B 19/22; G04B 19/223; G04B
19/243; G04B 19/24306; G04B 19/28;
G04B 19/283; G04B 19/286; G04B
37/00; G04B 37/0008; G04B 37/0058;
G04B 37/005; G04B 37/12; G04B 39/00;
G04B 45/00; G04B 45/0069; G04B
45/0076; G04B 47/06; G04B 47/061;
G04B 47/063; G04B 47/065; G04B
47/066; G04B 47/068; G04B 47/042;
G04G 19/06

See application file for complete search history.

(56) **References Cited**

U.S. PATENT DOCUMENTS

D451,820 S * 12/2001 Sugisawa D10/30
D479,135 S * 9/2003 Emmenegger D10/30
D568,176 S * 5/2008 Monachon D10/32
D591,180 S * 4/2009 Monachon D10/39
D598,303 S * 8/2009 Jorst D10/38
D611,843 S * 3/2010 Jorst D10/39
D640,576 S * 6/2011 Nashimoto D10/38

D671,014 S * 11/2012 Monachon D10/32
D705,084 S * 5/2014 Emmenegger D10/32
D726,554 S * 4/2015 Takahashi D10/38
D746,815 S * 1/2016 Lim D14/344
D754,550 S * 4/2016 Izuka D10/38
D793,883 S * 8/2017 Kouda D10/39

(Continued)

FOREIGN PATENT DOCUMENTS

JP D1351012 S 2/2012
JP D1681116 * 3/2020

OTHER PUBLICATIONS

Hands-on The Citizen Satellite Wave GPS F950 | hodinkee.com; posted Aug. 2020 [online], © 2009-2021, Hodinkee Inc. [retrieved Mar. 24, 2021] from Internet: <https://www.hodinkee.com/articles/citizen-satellite-wave-gps-f950-titanium-50th-anniversary-limited-edition-hands-on> (Year: 2020).*

(Continued)

Primary Examiner — Katherine Glennon
(74) *Attorney, Agent, or Firm* — RatnerPrestia

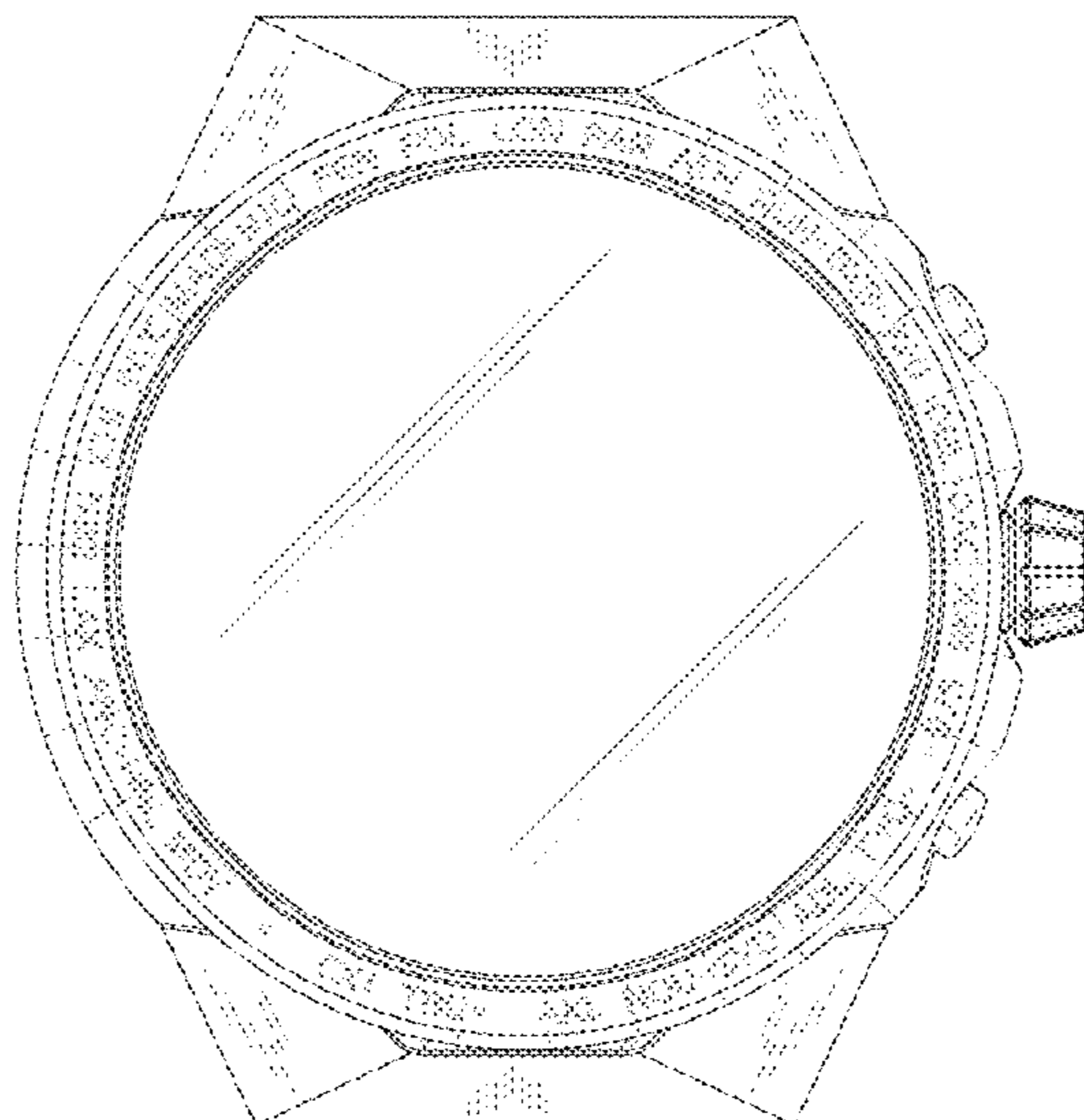
(57) **CLAIM**

The ornamental design for a watchcase, as shown and described.

DESCRIPTION

FIG. 1 is a front perspective view of a watchcase showing my new design;
FIG. 2 is a front elevational view thereof;
FIG. 3 is a left side elevational view thereof;
FIG. 4 is a right side elevational view thereof;
FIG. 5 is a rear elevational view thereof;
FIG. 6 is a top plan view thereof;
FIG. 7 is a bottom plan view thereof; and,
FIG. 8 is a rear perspective view thereof.
The broken lines depict portions of a watchcase that form no part of the claimed design.

1 Claim, 6 Drawing Sheets



(56)

References Cited

U.S. PATENT DOCUMENTS

D893,318 S * 8/2020 Orlinski D10/39

OTHER PUBLICATIONS

The design of the watch “Bulova Men’s Automatic 98A179” was published on the website: <https://www.amazon.com/Bulova-Automatic-Stainless-Steel-Casual/dp/B01M91D1C>, Jul. 8, 2019, one page.

The design of the watch “Seiko 5 Silver Watch SNKL61K1” was published on the website: <https://www.amazon.com/Seiko-5-Silver-Watch-SNKL61K1/dp/B009Z5YKBG/ref=c>, Oct. 23, 2019, one page.

The design of the watch “Grand Seiko Sport Collection SBGA403” was published on the website: <https://www.grand-seiki.com/jp-ja/collections/sbga403>, Jun. 7, 2019, one page.

* cited by examiner

FIG. 1

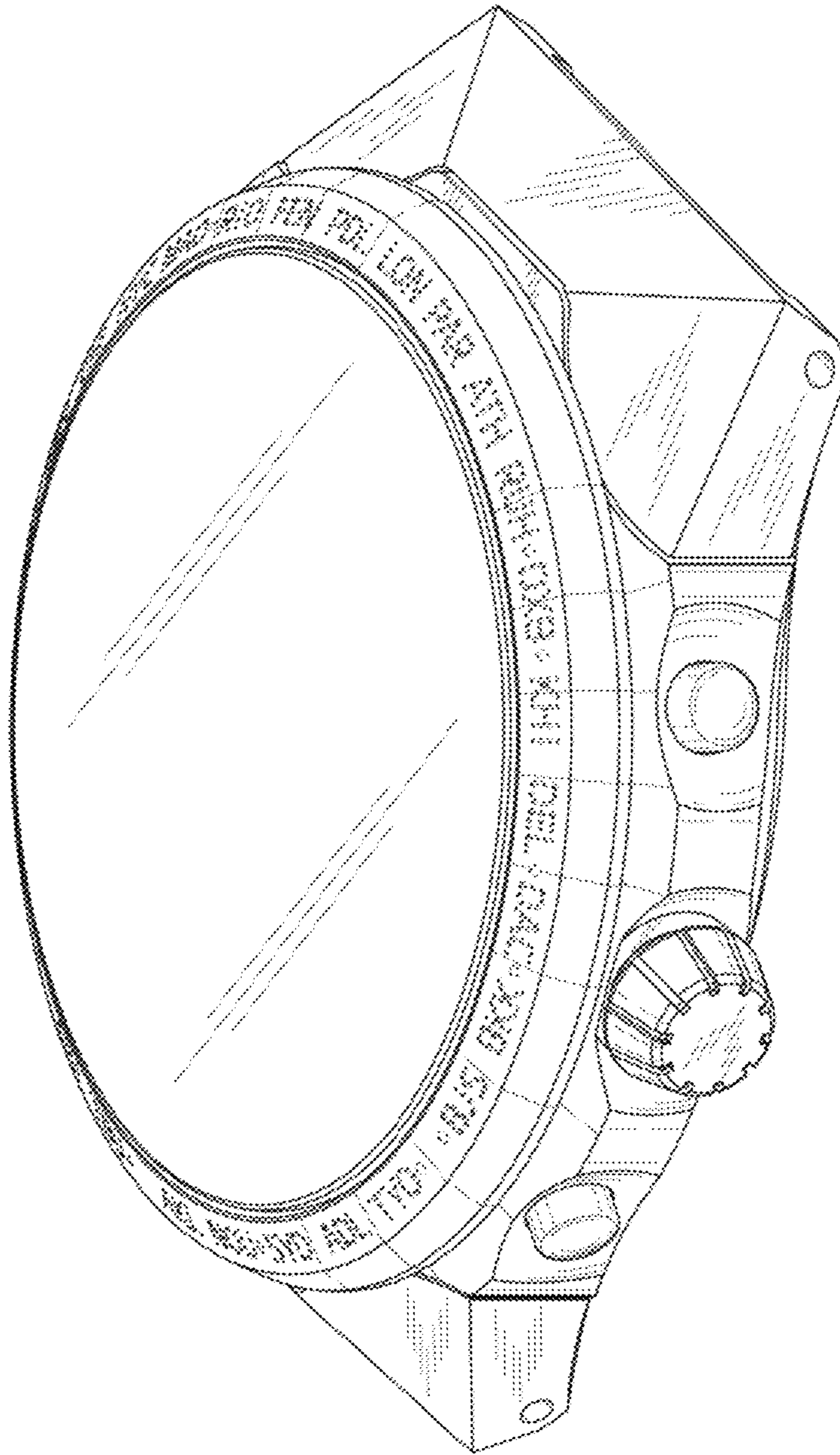


FIG. 2

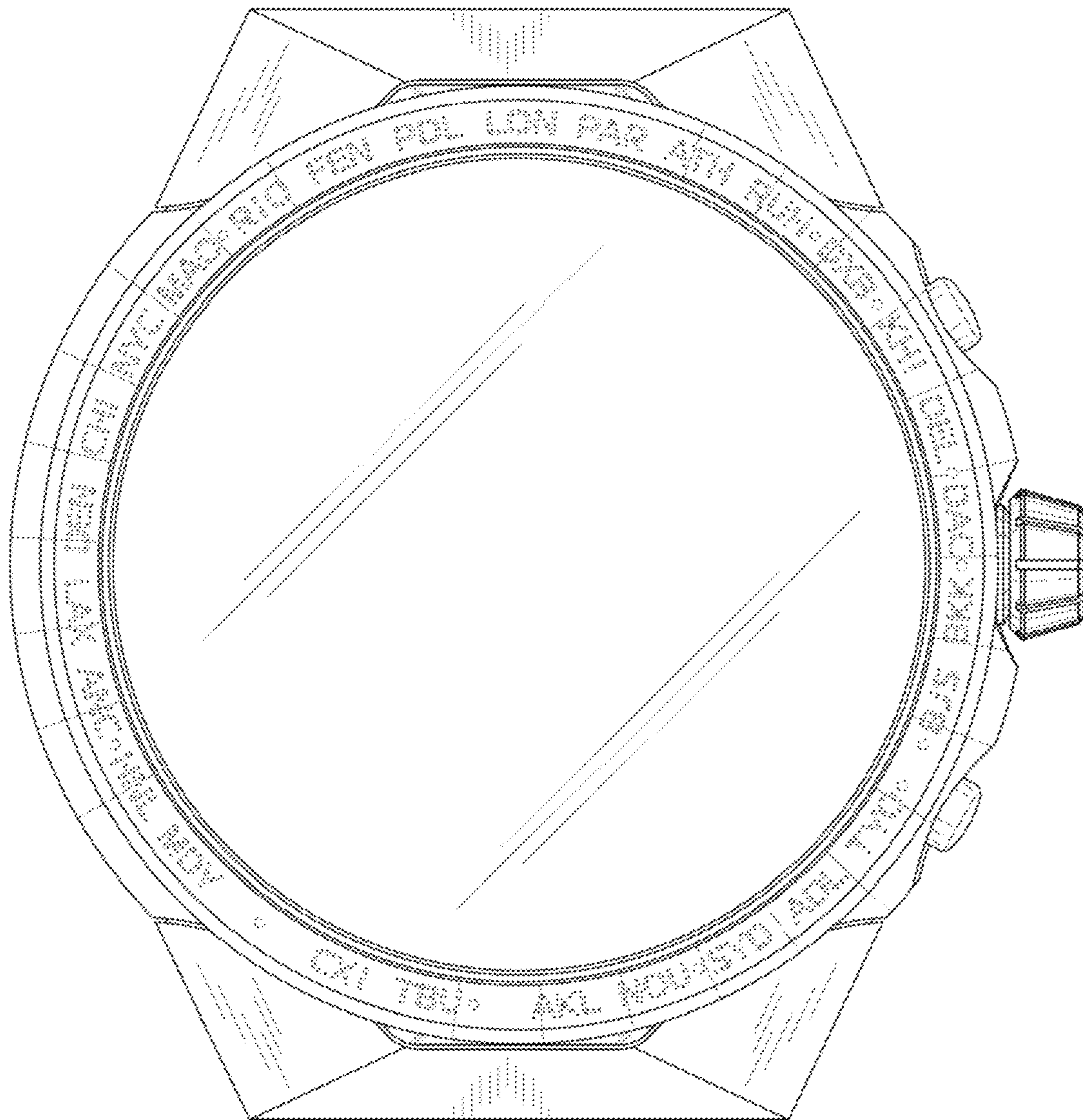


FIG. 3

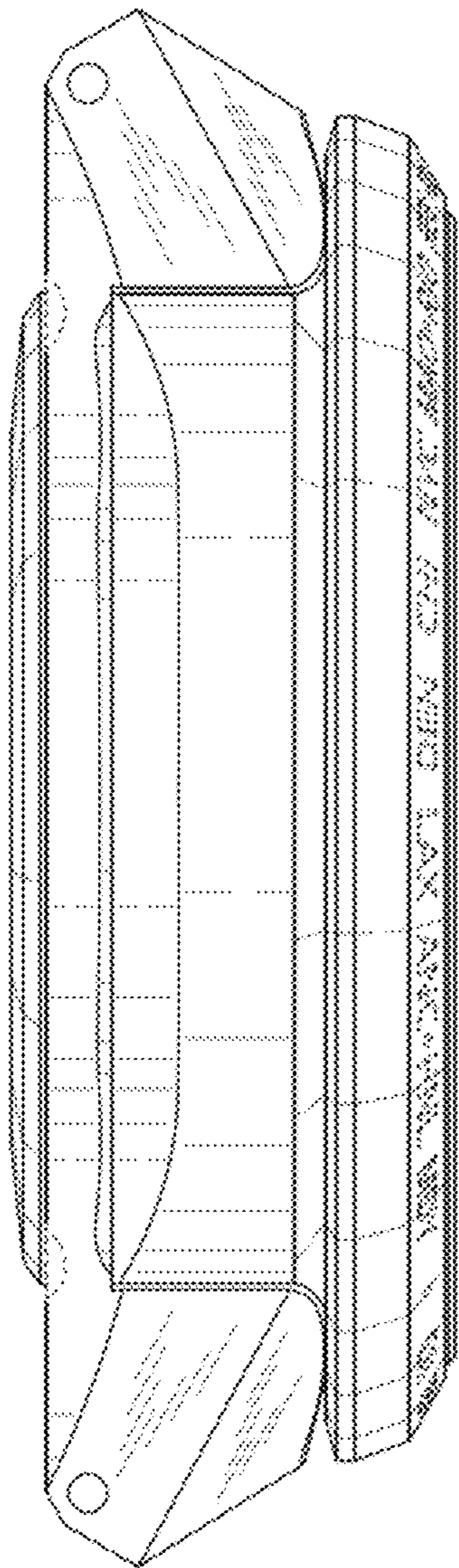


FIG. 4

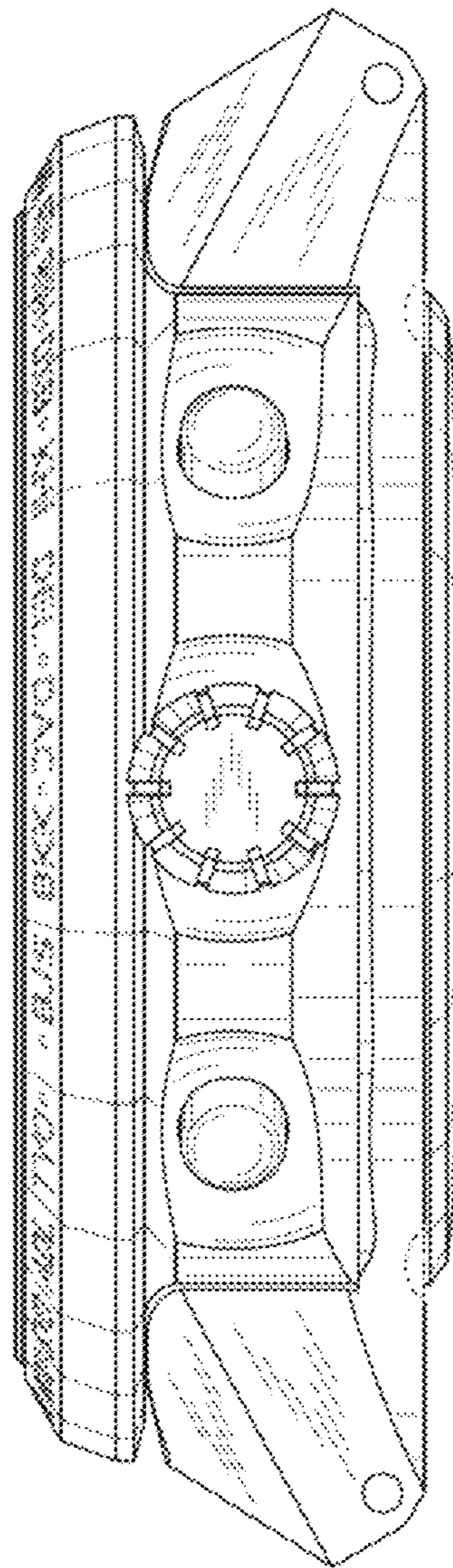


FIG. 5

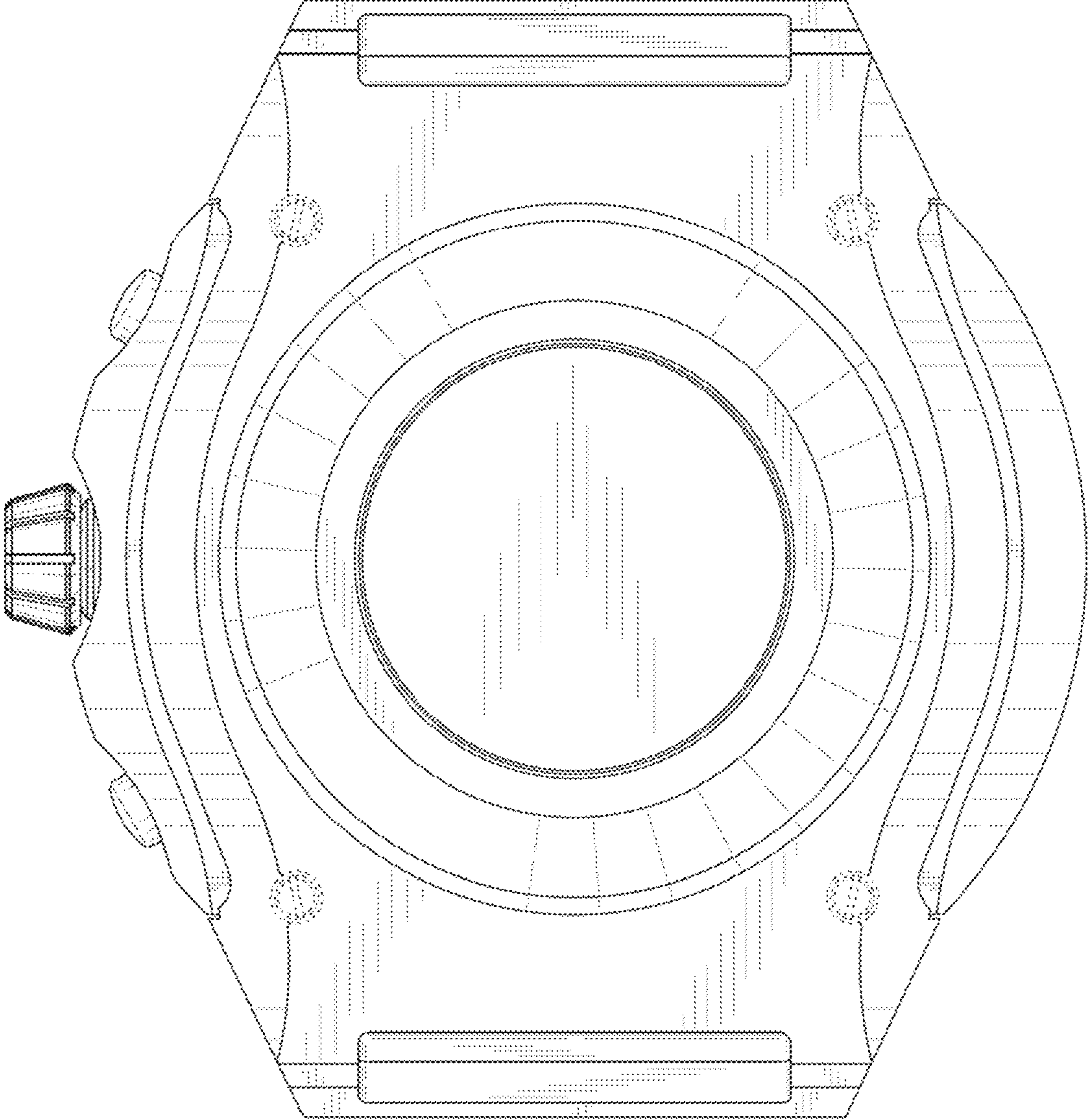


FIG. 6

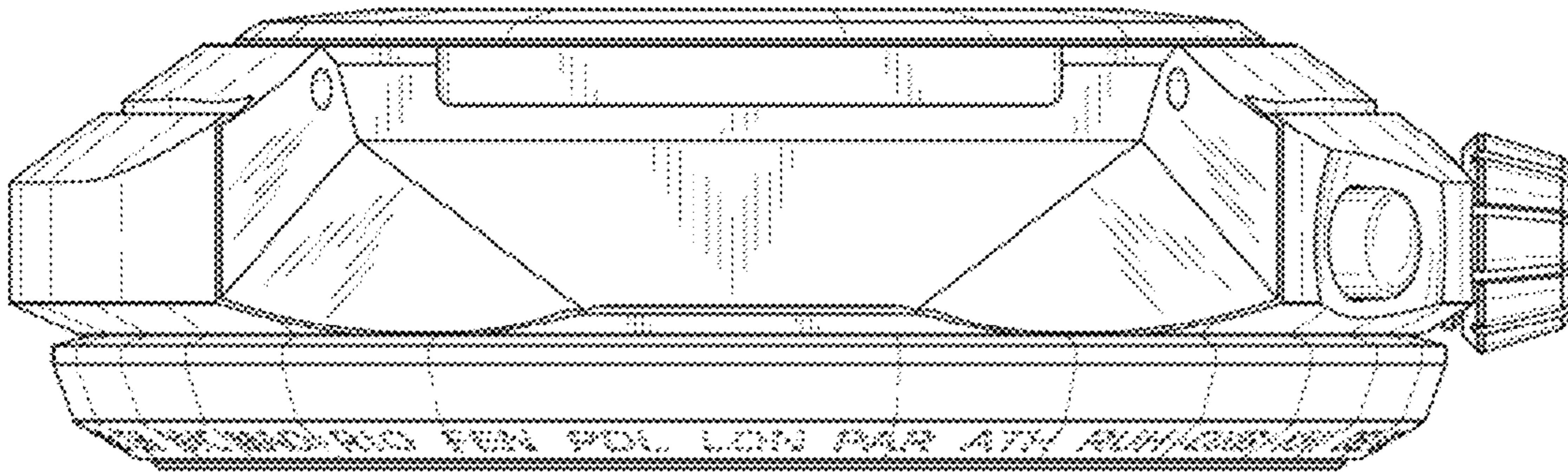


FIG. 7

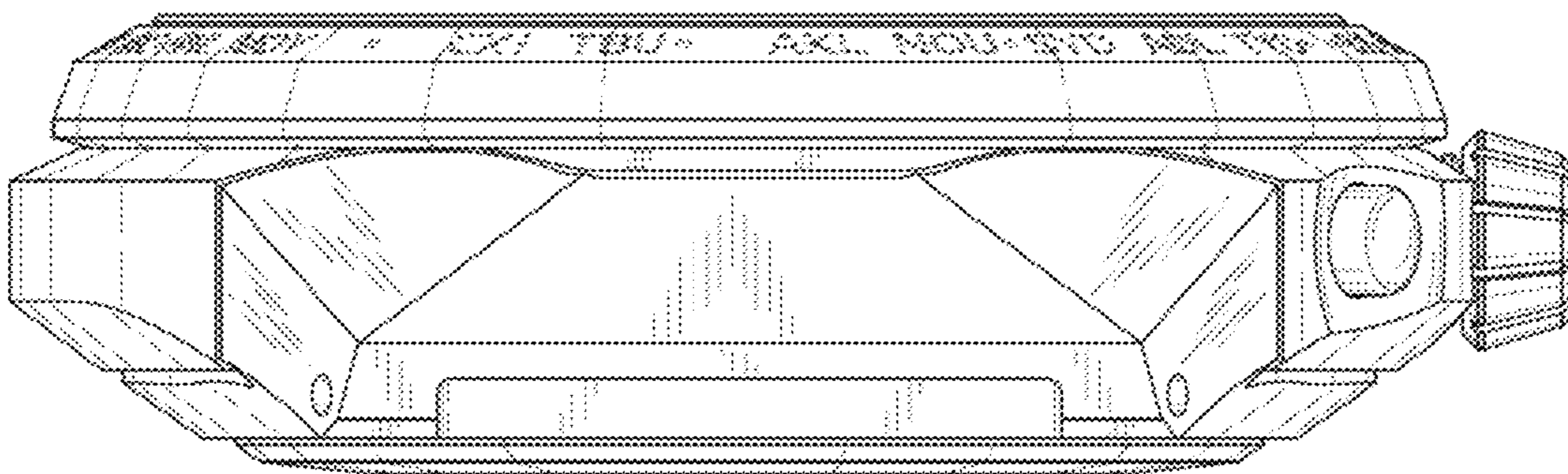


FIG. 8

