



US00D926041S

(12) **United States Design Patent**  
**Huls et al.**

(10) **Patent No.:** **US D926,041 S**

(45) **Date of Patent:** **\*\* Jul. 27, 2021**

(54) **BOTTLE**

(71) Applicant: **PepsiCo, Inc.**, Purchase, NY (US)

(72) Inventors: **Sean Joseph Huls**, Chicago, IL (US);  
**Michael Andrew Lohmeier**, Chicago, IL (US); **Toby Richard David Wingfield**, Crystal Lake, IL (US); **Lori Evans Bartman**, Sylvania, OH (US); **Robert Jon Groll**, Oregon, OH (US); **John Lester Ostby**, Seattle, WA (US); **Matthew Schmunk**, Portland, OR (US)

(73) Assignee: **PepsiCo, Inc.**, Purchase, NY (US)

(\*\*) Term: **15 Years**

(21) Appl. No.: **29/725,273**

(22) Filed: **Feb. 24, 2020**

**Related U.S. Application Data**

(63) Continuation of application No. 29/671,621, filed on Nov. 28, 2018, now Pat. No. Des. 877,620, which is a continuation of application No. 29/607,711, filed on Jun. 15, 2017, now Pat. No. Des. 835,994, which is a  
(Continued)

(51) **LOC (13) Cl.** ..... **09-01**

(52) **U.S. Cl.**  
USPC ..... **D9/556**

(58) **Field of Classification Search**  
USPC ..... D4/116; D6/515-516, 542-545; D7/300-322, 391-396.2, 509-511, 523, D7/589, 598, 612, 615, 619.1; D9/435, D9/436, 439, 440, 443, 447, 454, 500, D9/503-505, 516-575, 738-747,  
(Continued)

(56) **References Cited**

U.S. PATENT DOCUMENTS

D240,593 S 7/1976 Koenigsberg  
D295,381 S 4/1988 Papa  
4,818,575 A 4/1989 Hirata  
(Continued)

FOREIGN PATENT DOCUMENTS

EM 002043356-0002 5/2012  
JP D1285255 11/2006  
(Continued)

OTHER PUBLICATIONS

“Poweracle Ice Blast 500ml 12’1i.” toptanservis.com. Reportedly accessed by the USPTO Apr. 25, 2017. Available online at URL: <<http://toptanservis.com/powerade-ice-blast>>.  
(Continued)

*Primary Examiner* — Christian P. McLean  
(74) *Attorney, Agent, or Firm* — Sterne, Kessler, Goldstein & Fox P.L.L.C.

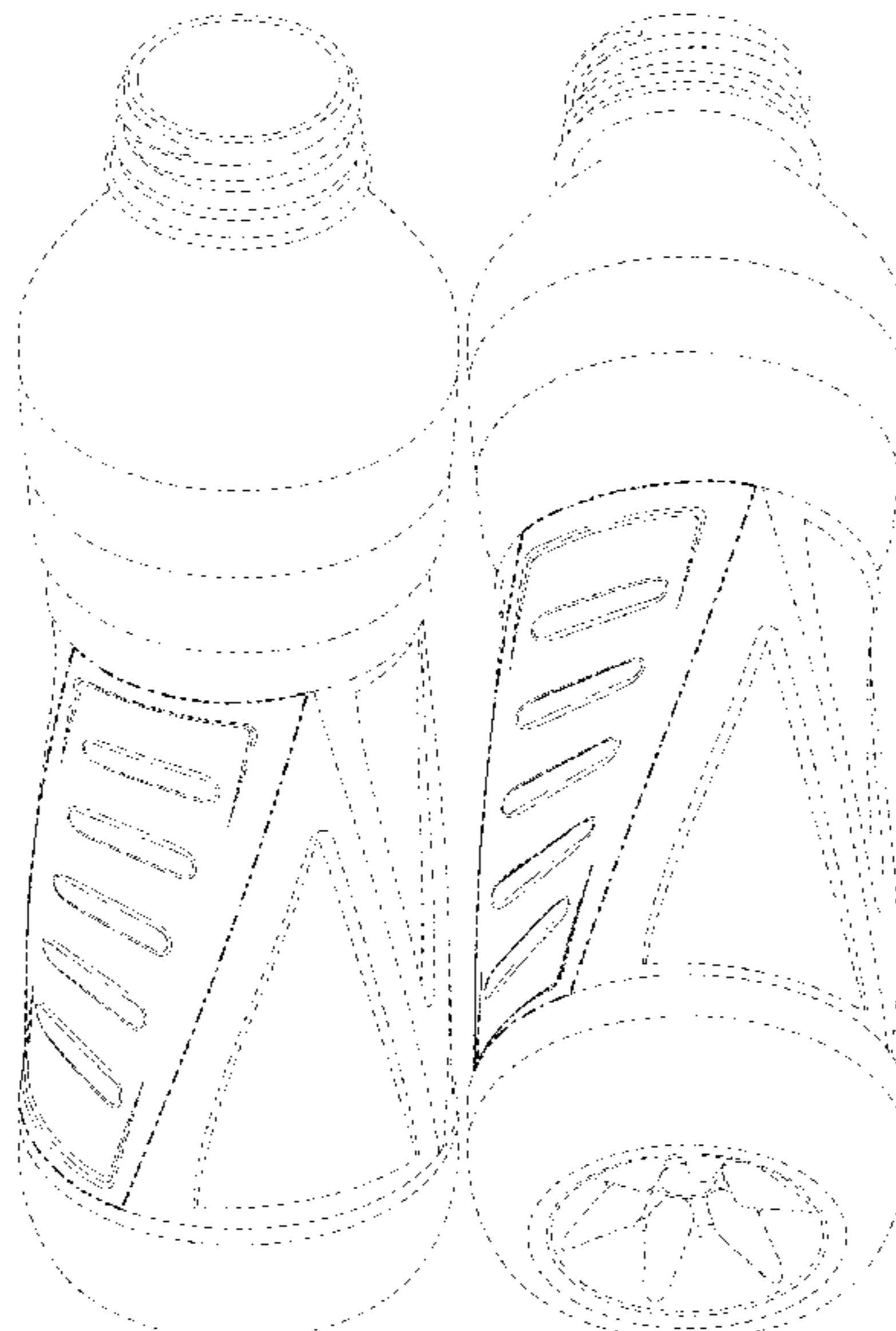
(57) **CLAIM**

The ornamental design for a bottle, as shown and described.

**DESCRIPTION**

FIG. 1 is a top front perspective view of a bottle showing the claimed design;  
FIG. 2 is a bottom rear perspective view thereof;  
FIG. 3 is a front view thereof;  
FIG. 4 is a rear view thereof;  
FIG. 5 is a left side view thereof;  
FIG. 6 is a right side view thereof;  
FIG. 7 is a top view thereof; and,  
FIG. 8 is a bottom view thereof.  
The dashed broken lines in the figures show portions of the bottle that form no part of the claimed design.  
The dot-dash broken lines in the figures show boundaries that form no part of the claimed design.

**1 Claim, 4 Drawing Sheets**



**Related U.S. Application Data**

continuation of application No. 29/549,534, filed on Dec. 22, 2015, now Pat. No. Des. 792,777.

(58) **Field of Classification Search**

USPC ..... D9/763-783; D24/197; D28/7, 57, 73, D28/76-91.1

CPC ..... B65D 1/00; B65D 1/02; B65D 1/0223; B65D 1/023; B65D 1/0276

See application file for complete search history.

(56) **References Cited**

U.S. PATENT DOCUMENTS

4,877,141	A	10/1989	Hayashi et al.	
D308,482	S	6/1990	Wild	
5,310,068	A	5/1994	Saghri	
D426,460	S	6/2000	Krishnakumar et al.	
D439,167	S	3/2001	Lichtman et al.	
D441,658	S	5/2001	Lichtman et al.	
D447,956	S	9/2001	Bretz et al.	
D448,673	S	10/2001	Bretz et al.	
D454,790	S	3/2002	Crawford	
D488,722	S	4/2004	Evans et al.	
D488,723	S	4/2004	Evans et al.	
D492,902	S *	7/2004	Lane	D9/434
D506,679	S	6/2005	Bretz et al.	
D507,490	S	7/2005	Mero et al.	
D522,870	S	6/2006	Venkataraman	
7,178,684	B1	2/2007	Budden et al.	
D546,691	S	7/2007	Lepoitevin	
D570,223	S	6/2008	White	
D572,599	S	7/2008	Melrose	
D584,630	S	1/2009	Darr et al.	
D589,817	S	4/2009	Shmagin	
D600,126	S	9/2009	Lepoitevin	
D602,788	S	10/2009	Priore et al.	
D611,349	S *	3/2010	Shah	D9/516
D611,828	S	3/2010	Lepoitevin	
D614,653	S	4/2010	Amell	
D620,371	S *	7/2010	Bronstein	D9/667
D626,848	S *	11/2010	Chewning	D9/538
D630,105	S	1/2011	Bourne	
D644,111	S	8/2011	Williams et al.	
D651,091	S	12/2011	Boukobza	

D698,659	S	2/2014	Bronstein	
D705,071	S	5/2014	Abend et al.	
8,813,996	B2	8/2014	Steih et al.	
8,881,922	B2	11/2014	Schlies et al.	
D758,199	S	6/2016	Mody	
D770,288	S	11/2016	Verdura et al.	
D782,910	S *	4/2017	Maquita Nakano	D9/538
D787,939	S	5/2017	Lam	
D792,777	S	7/2017	Huls et al.	
D793,237	S	8/2017	Vitale Rotta	
9,862,518	B2	1/2018	Gill et al.	
D835,994	S	12/2018	Huls et al.	
10,315,826	B2	6/2019	Caboni et al.	
10,336,524	B2	7/2019	Lohmeier et al.	
D858,294	S	9/2019	Boiros et al.	
10,427,853	B2	10/2019	Nakano et al.	
D877,620	S *	3/2020	Huls	D9/553
10,899,493	B2 *	1/2021	Yourist	B65D 1/0276
2003/0015491	A1	1/2003	Melrose et al.	
2006/0186082	A1	8/2006	Gatewood et al.	
2006/0289378	A1	12/2006	Zhang	
2007/0075032	A1	4/2007	Kelley et al.	
2009/0184127	A1	7/2009	Mooney	
2010/0032405	A1	2/2010	Ozawa et al.	
2013/0153531	A1 *	6/2013	Schlies	B65D 1/0223 215/381
2014/0346135	A1	11/2014	Melrose	
2016/0221739	A1	8/2016	Caboni et al.	
2017/0073137	A1	3/2017	Maquita Nakano et al.	
2017/0225863	A1	8/2017	Lohmeier et al.	
2020/0095011	A1 *	3/2020	Klok	B65D 81/2015

FOREIGN PATENT DOCUMENTS

JP	D1285601	11/2006
KR	30-0400822	11/2005

OTHER PUBLICATIONS

Livesey, Cindy. "Awesome New \$1/2 Powerade 32 oz Bottle Couple+ Deal!" livingrichwithcoupons.com. May 2, 2012. Accessed Jul. 18, 2018. Available online at URL: <<https://www.livingrichwithcoupons.com/2012/05/awesome-new-12-powerade-32-oz-bottle-coupon-deal.html>>.

\* cited by examiner

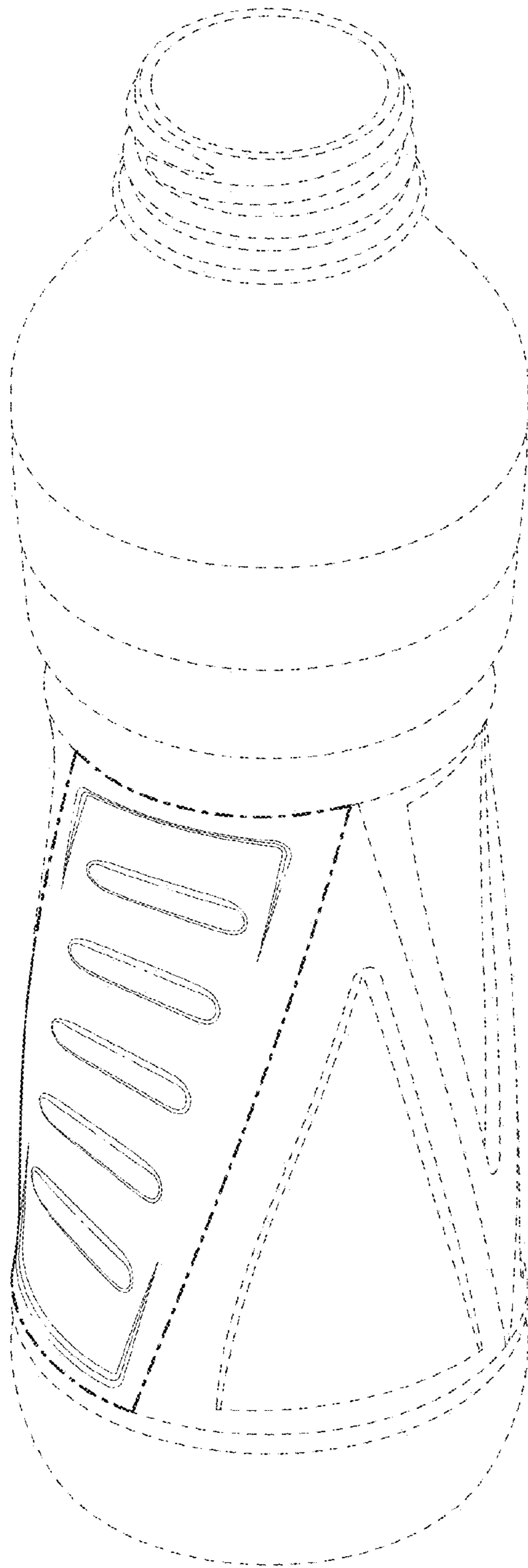


FIG. 1

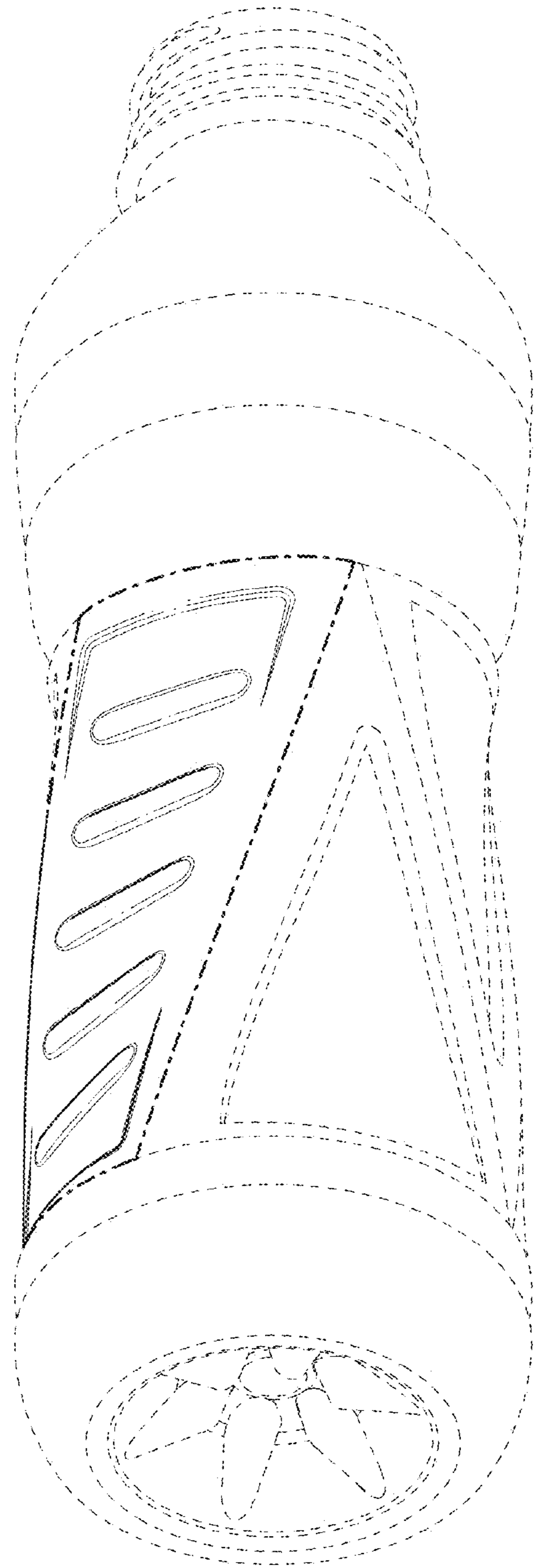


FIG. 2

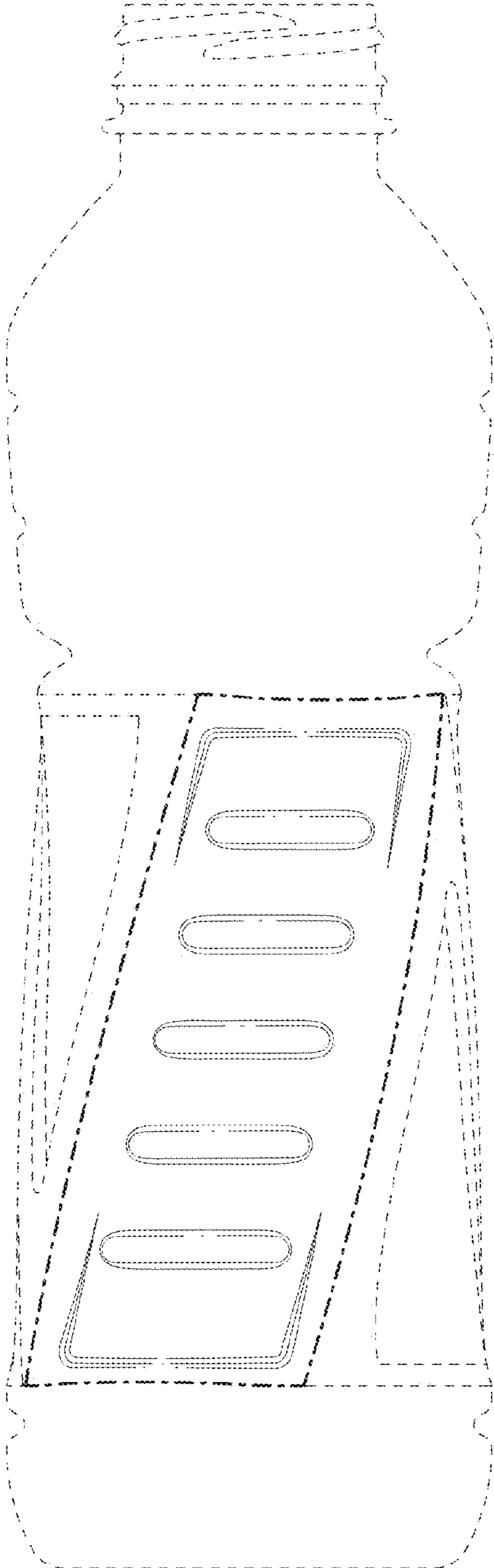


FIG. 3

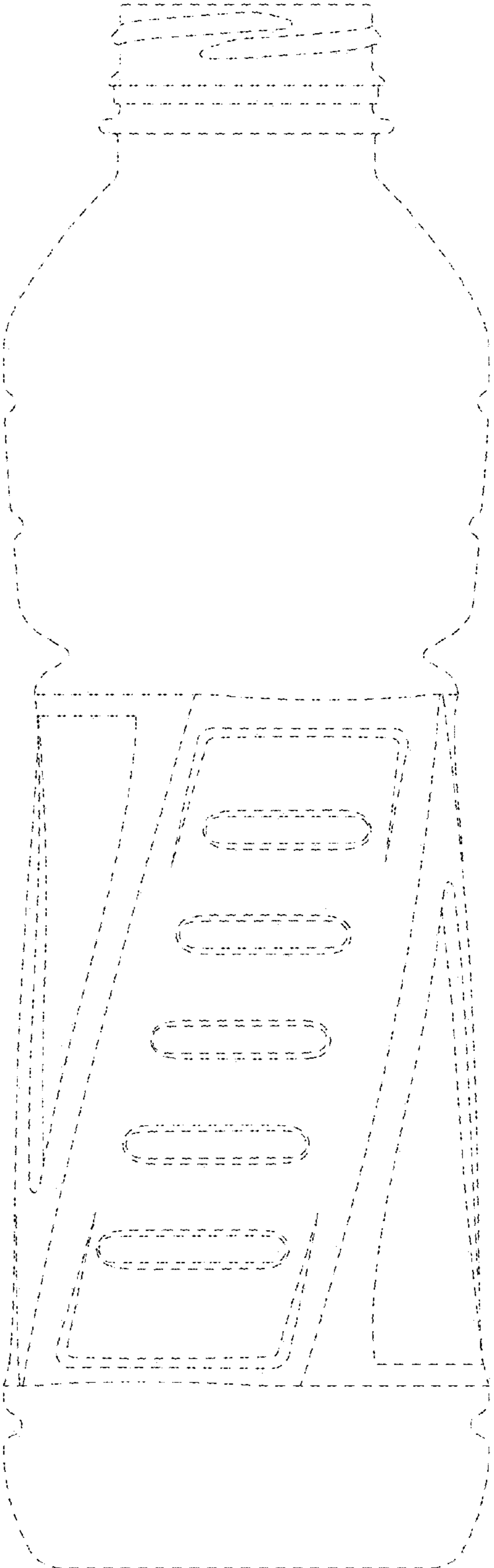


FIG. 4

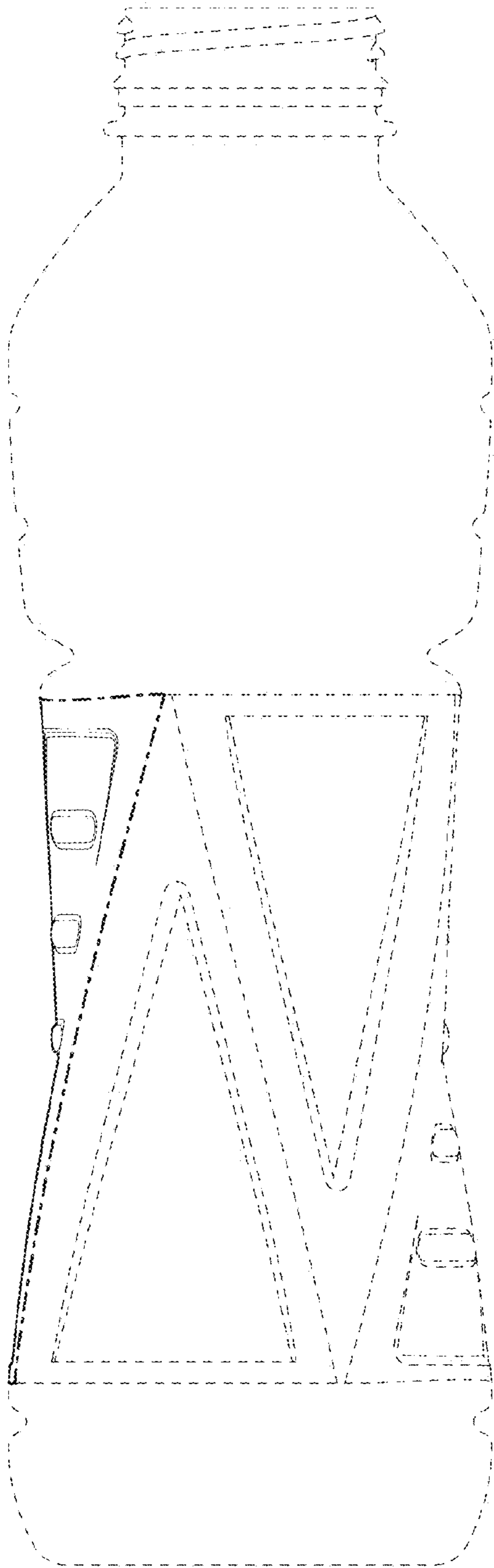


FIG. 5

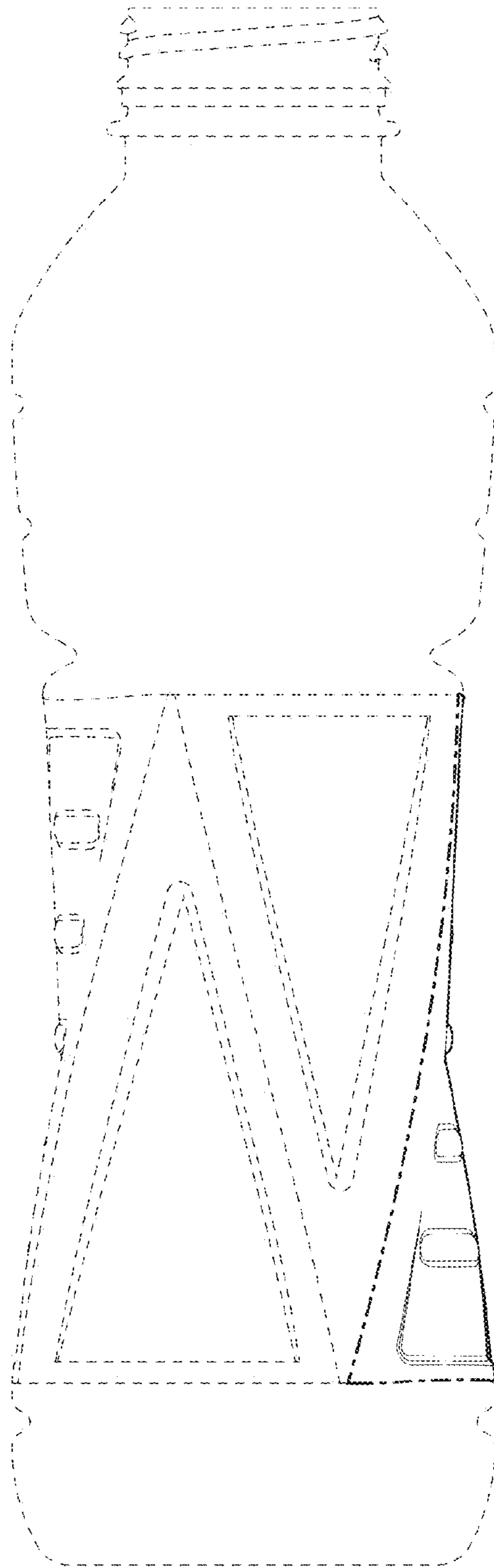
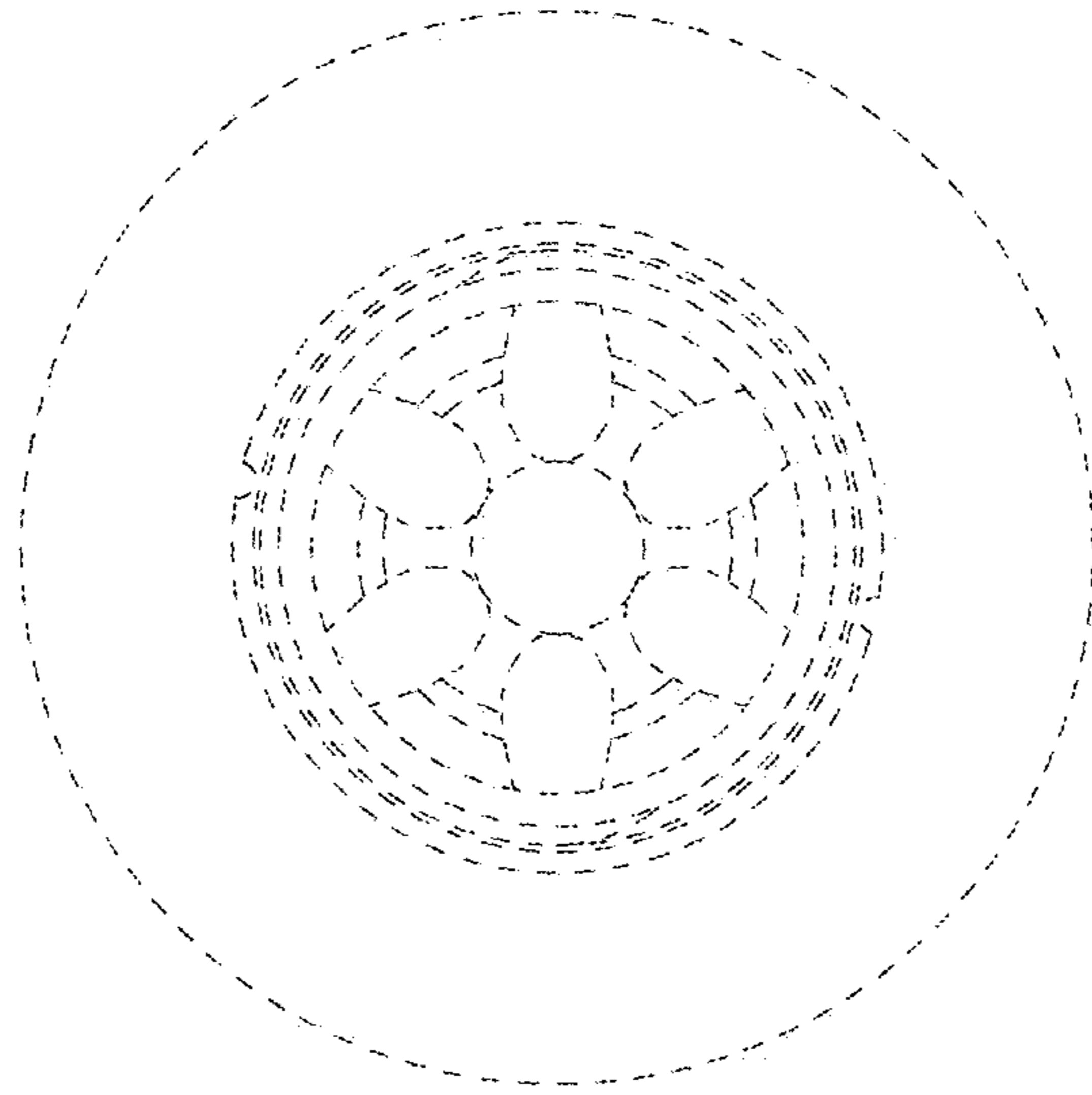
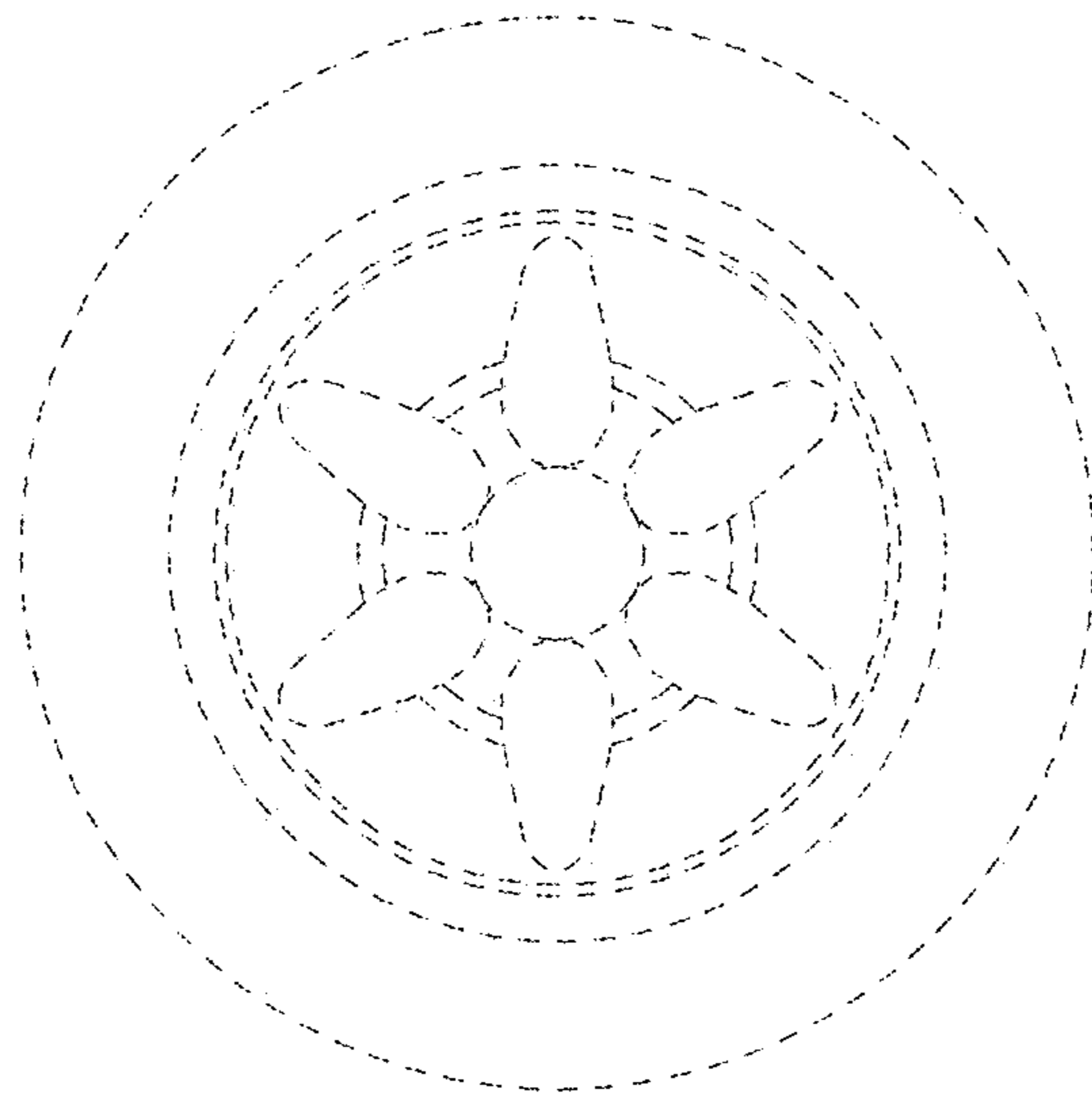


FIG. 6



**FIG. 7**



**FIG. 8**