



US00D926037S

(12) **United States Design Patent** (10) **Patent No.:** **US D926,037 S**
Appan et al. (45) **Date of Patent:** **** Jul. 27, 2021**

(54) **LIVE HERB GROCERY DISPLAY PACKAGE**

(71) Applicants: **Subramaniam G. Appan**, League City, TX (US); **Mangalam Lone**, League City, TX (US)

(72) Inventors: **Subramaniam G. Appan**, League City, TX (US); **Mangalam Lone**, League City, TX (US)

(**) Term: **15 Years**

(21) Appl. No.: **29/692,269**

(22) Filed: **May 23, 2019**

Related U.S. Application Data

(63) Continuation-in-part of application No. 15/393,923, filed on Dec. 29, 2016, now abandoned.

(51) **LOC (13) Cl.** **09-03**

(52) **U.S. Cl.**
USPC **D9/503**; D9/418

(58) **Field of Classification Search**
USPC D9/414, 418, 425, 504, 529, 531, 534, D9/535, 540, 715, 716, 503
CPC B65D 2543/00351; B65D 43/02; B65D 47/10; B65D 2543/00972; B65D 51/16; B65D 51/1611; B65D 3/04; B65D 2205/00; B65D 2525/285; B65D 2543/00055; B65D 2543/00435; B65D 2543/0024; B65D 43/021; B65D 21/0233; B65D 21/02

See application file for complete search history.

(56) **References Cited**

U.S. PATENT DOCUMENTS

2,632,286 A 3/1953 Newhall
3,314,194 A 4/1967 Halleck
3,552,059 A 1/1971 Moore
3,973,355 A 8/1976 McKenzie

4,075,786 A 2/1978 Van Zyl
4,118,889 A 10/1978 Lamlee
4,189,868 A 2/1980 Tymchuck et al.
4,508,235 A * 4/1985 Steele B65D 43/0212
215/307
4,936,046 A 6/1990 Miller
4,941,572 A 7/1990 Harris
6,138,828 A 10/2000 Bendix
6,440,900 B1 8/2002 Koermer
6,672,002 B1 1/2004 Gumpfer
6,968,948 B2 11/2005 Scott
D641,631 S * 7/2011 Kawahara D9/503
D643,285 S * 8/2011 Zomorodi D9/429

(Continued)

OTHER PUBLICATIONS

Ahmad, Iftikhar et al.; "Homemade Floral Preservatives Affect Postharvest Performance of Selected Specialty Cut Flowers"; HortTechnology; Jun. 2014; vol. 24, No. 3, pp. 384-393 <http://horttech.ashspublications.org/content/24/3/384.full.pdf+html> (Year: 2014).

(Continued)

Primary Examiner — Lauren R Calve

(74) *Attorney, Agent, or Firm* — Hulsey P.C.

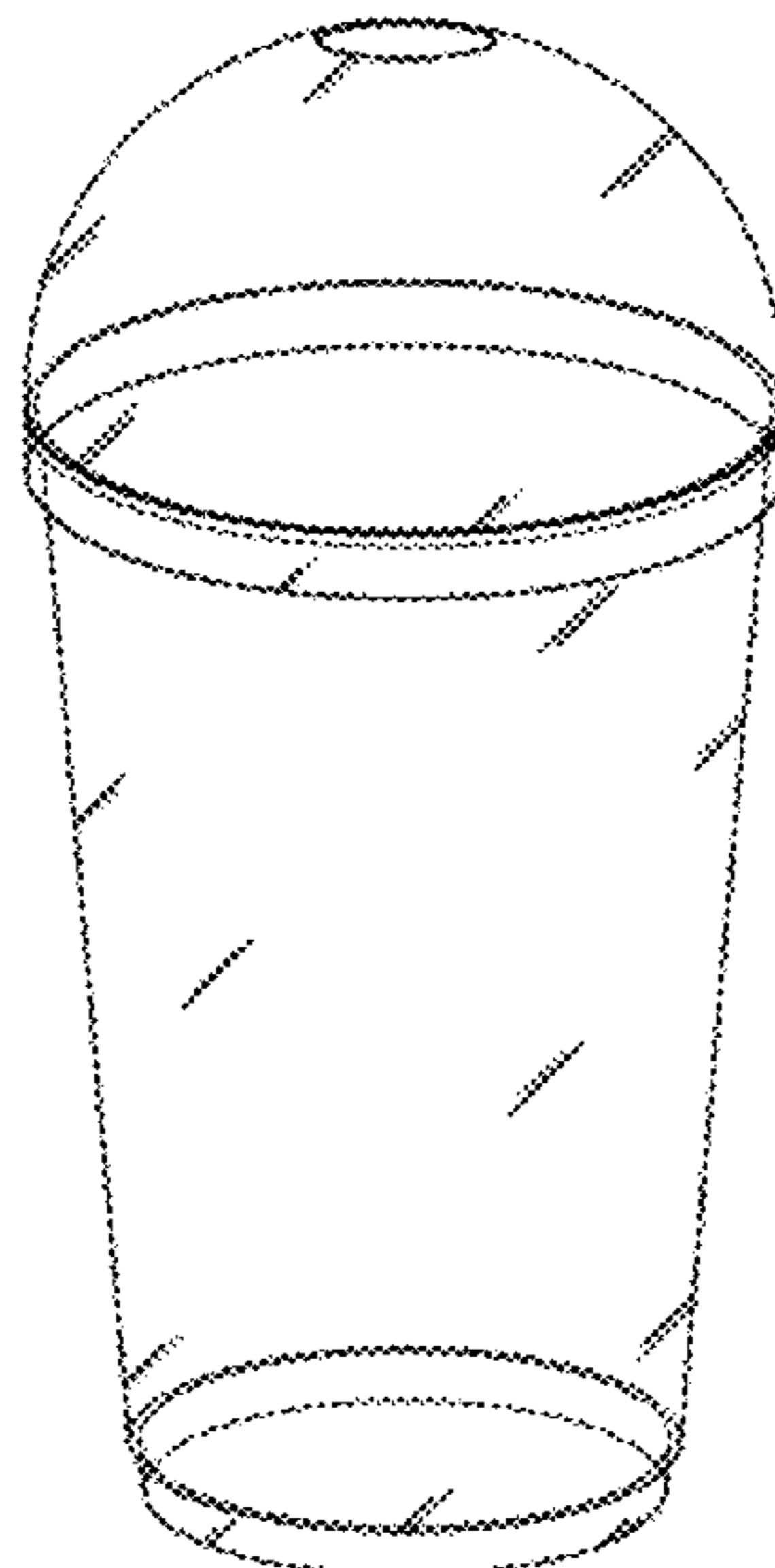
(57) **CLAIM**

The ornamental design for a live herb grocery display package, as shown and described.

DESCRIPTION

FIG. 1 is a front perspective view of a live herb grocery display package showing our new design.
FIG. 2 is a top perspective view thereof.
FIG. 3 is a front view thereof.
FIG. 4 is a top view thereof; and,
FIG. 5 is a bottom view thereof.
In FIGS. 1-5 the broken lines having equal length segments represent stitching and form no part of the claimed design.

1 Claim, 2 Drawing Sheets



(56)

References Cited

U.S. PATENT DOCUMENTS

8,070,011 B2 * 12/2011 Fukano B65D 51/1605
 220/780
 D697,814 S * 1/2014 Hopman D9/715
 D703,043 S * 4/2014 Kovitz D9/435
 D833,271 S * 11/2018 Werth D9/418
 10,232,972 B1 * 3/2019 Grill B44D 3/12
 D884,478 S * 5/2020 Swenson D9/503
 D893,953 S * 8/2020 Tobias D7/510
 2001/0043972 A1 * 11/2001 Tomlinson B65D 43/0231
 426/115
 2003/0127350 A1 7/2003 Wright
 2005/0118309 A1 6/2005 Beckman
 2005/0208186 A1 9/2005 Kirkland
 2007/0234638 A1 10/2007 Harshman
 2008/0160142 A1 * 7/2008 Khulusi B65D 51/28
 426/115
 2009/0227454 A1 9/2009 Jaiswal
 2010/0003379 A1 1/2010 Zoss
 2013/0068772 A1 * 3/2013 Durdon B65D 51/28
 220/521
 2013/0305515 A1 * 11/2013 Miller A47G 19/2272
 29/428
 2014/0030390 A1 * 1/2014 Coyle B65D 43/0212
 426/108
 2015/0021335 A1 * 1/2015 Kovitz B65D 51/28
 220/521
 2015/0094204 A1 4/2015 Patemoster
 2018/0141723 A1 * 5/2018 Chen B65D 21/0233

OTHER PUBLICATIONS

“CDC—Disinfection with Chloramine” Jan. 20, 2015 <https://www.cdc.gov/healthywater/drinking/public/chloramine-disinfection.html> (Year:2015).

“DIY: Upcycled Frappuccino Cup Mini Plant3ers” 2013 <http://www.honeyandlime.co/diy-upcycled-frappuccino-cup-mini-planters.html> (Year: 2013).
 “Flickr” 2007 <https://www.flickr.com/photos/joeyplanting/503881409> (Year: 2007).
 Gazeley, Helen; “How to Successfully Take Cuttings of Herbs”; Mar. 12, 2012 <https://www.growveg.com/guides/how-to-successfully-take-cuttings-of-herbs/1/> (Year: 2012).
 Han, Gregory; “Succulent Terrarium”; Oct. 31, 2007 https://www.apartmenttherapy.com/succulent-terra-35415?utm_source=Pinterest&utm_medium=mobile&utm_campaign=PostTop (Year:2007).
 Lopez, J. Kenji; “The Best Way to Store Fresh Herbs”; Apr. 20, 2015 <http://web.archive.org/web/20150502013511/https://www.seriousseats.com/2015/04/the-best-way-to-store-fresh-herbs-parsley-cilantro-dill-basil.html> (Year: 2015).
 Mattia, John P.; “Cutting, Storing, and Transporting Roses for Exhibition”; Jan. 10, 2015 <http://web.archive.org/web/20150110210451/http://www.rose.org/rose-care-articles/cutting-storing-and-transporting-roses-for-exhibition/> (Year: 2015).
 “Poptie” Dec. 16, 2014 <http://poptie.jp/matome/216014999234344> (Year: 2014).
 Setzer,Kenneth; “It’s fall—let’s grow some herbs”; Oct. 13, 2015 <http://www.miamiherald.com/living/home-garden/article38943708.html> (Year: 2015).
 Urban Water Research Association of Australia “Chloramination of Water Supplies Research Report No. 15”; Jul. 1990.
 Water Quality Report 2015 of City of League City, Texas.
 “Ways to use Hydrogen Peroxide in the Garden”; Feb. 6, 2015 <http://web.archive.org/web/20150206001701/https://www.using-hydrogen-peroxide.com/peroxide-garden.html> (Year: 2015).
 Weems, Lauren; “Berry Basket Thank You Gift DIY”; Jul. 28, 2014 <http://www.campmakery.com/content/berry-basket-thank-you-gift-diy> (Year: 2014).
 “WHO—Chlorine in Drinking Water” 2003 http://www.who.int/water_sanitation_health/dwq/chlorine.pdf (Year: 2003).

* cited by examiner

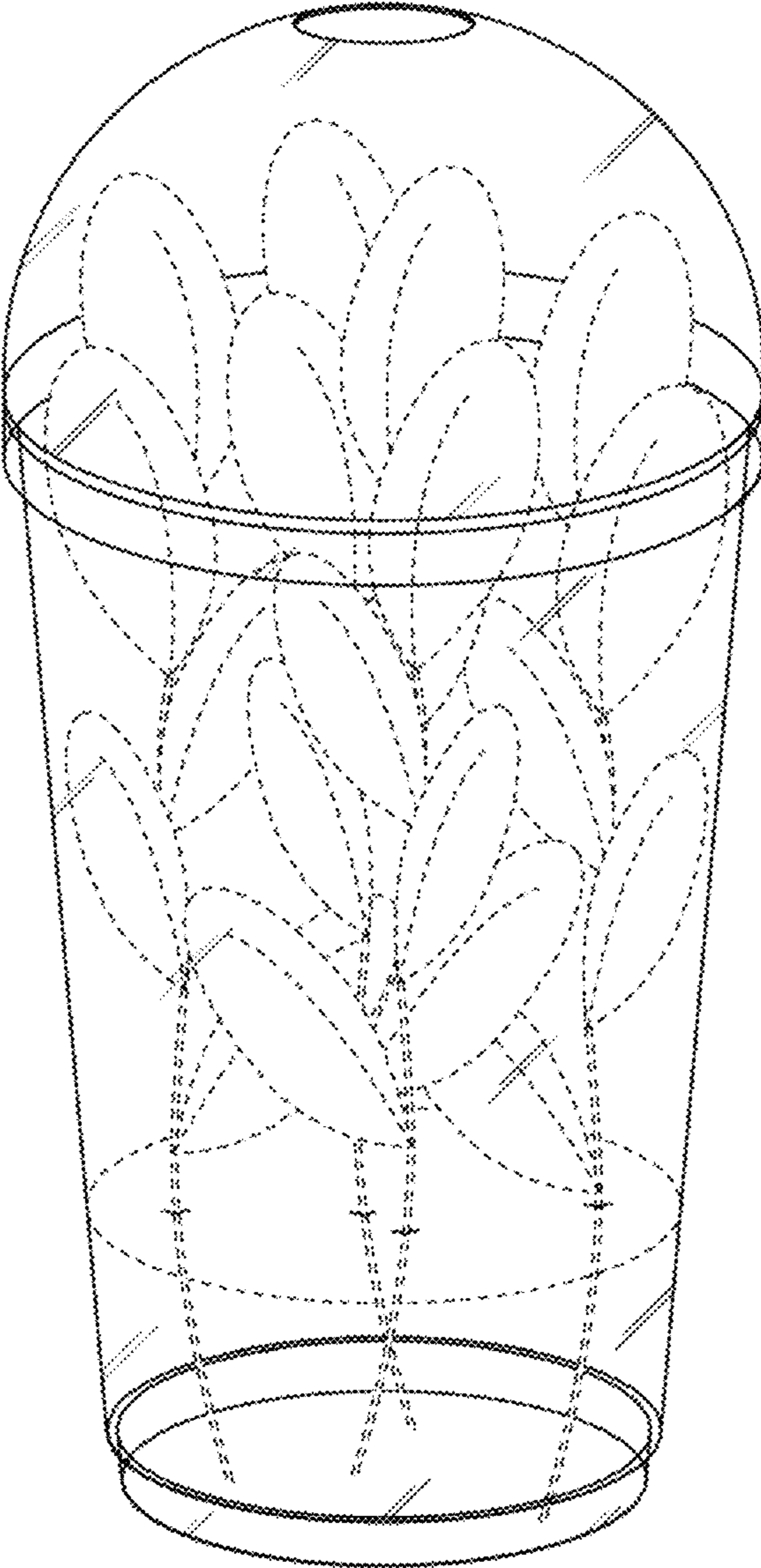


FIG. 1

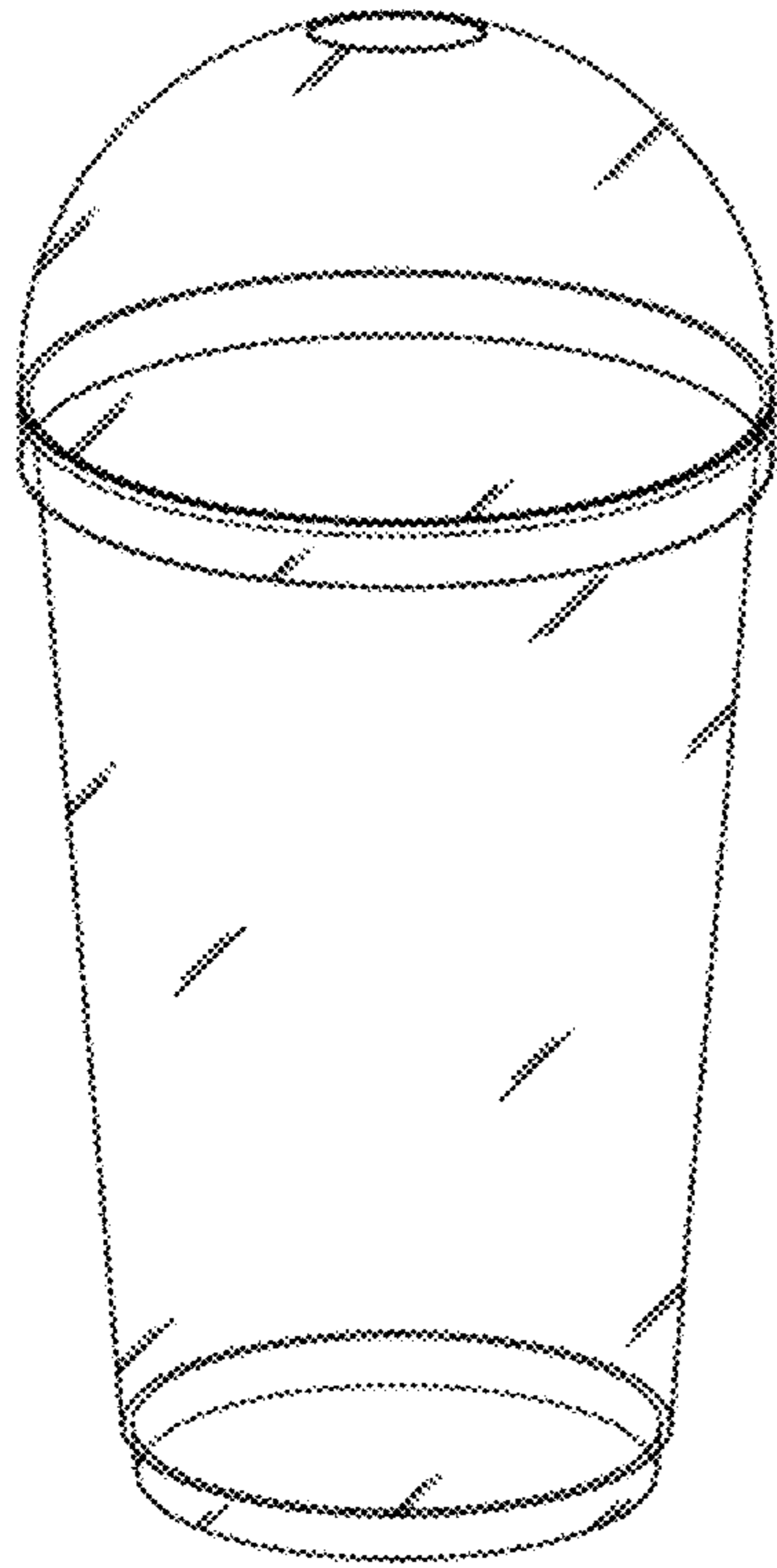


FIG. 2

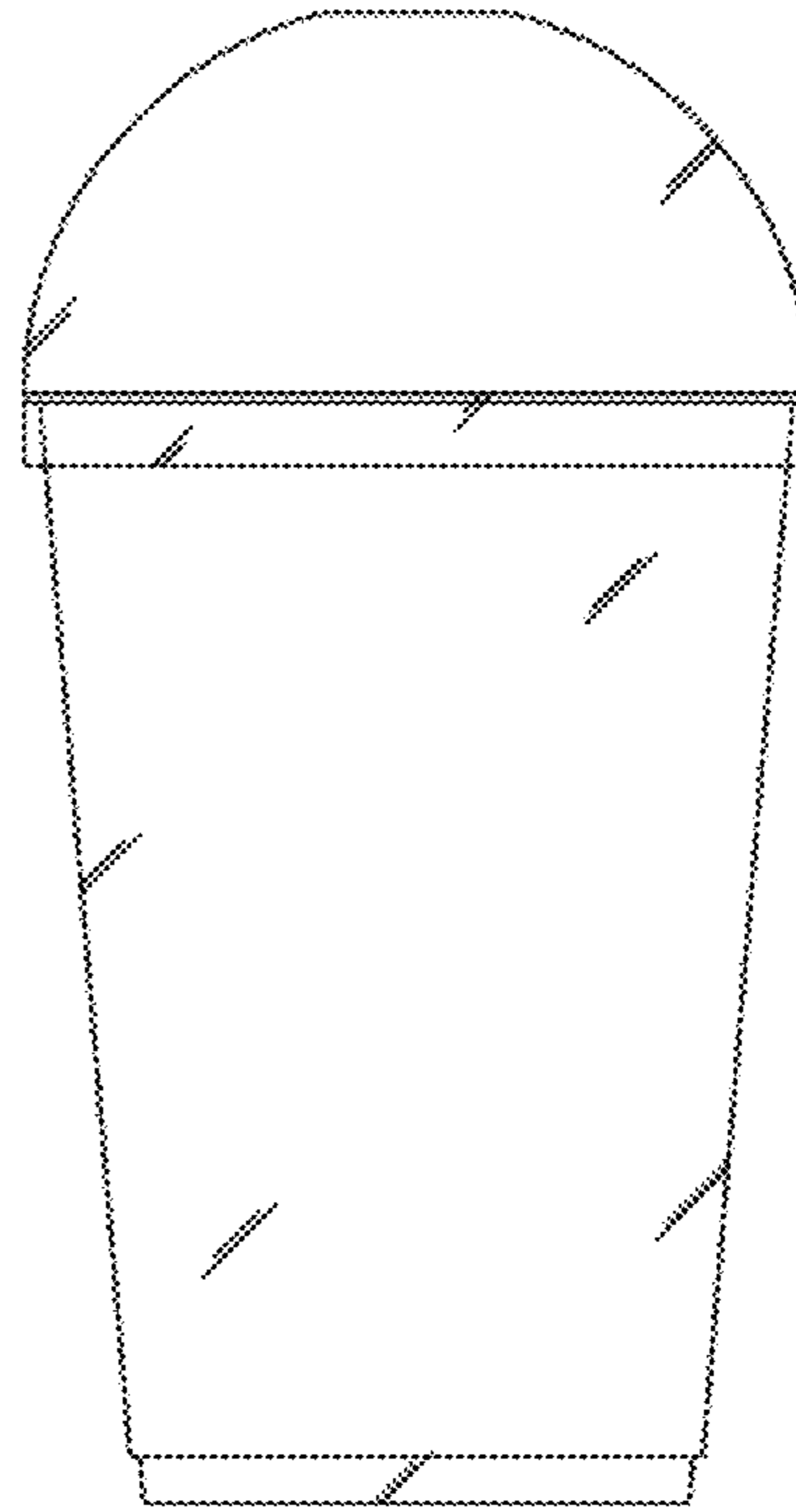


FIG. 3

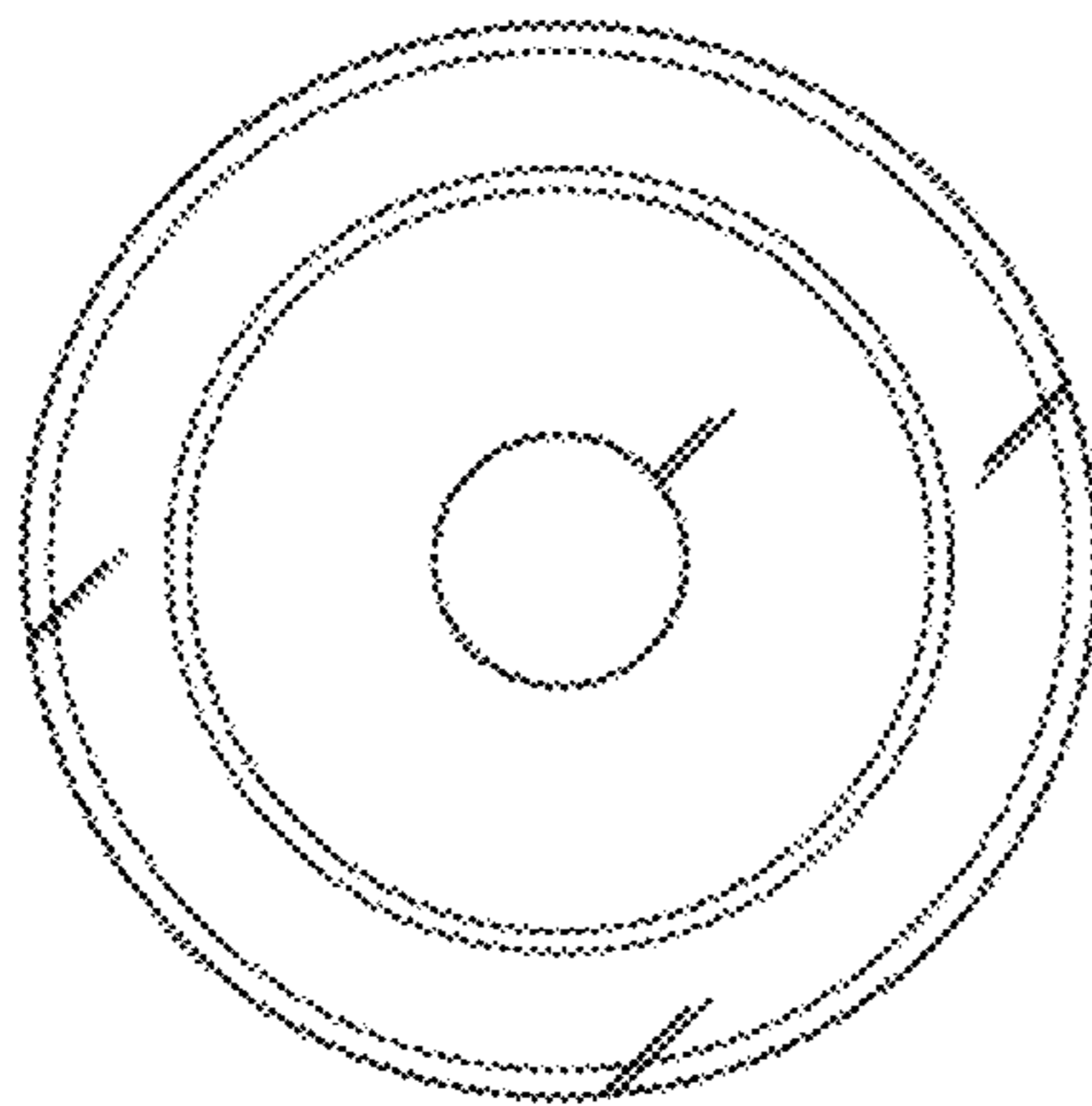


FIG. 4

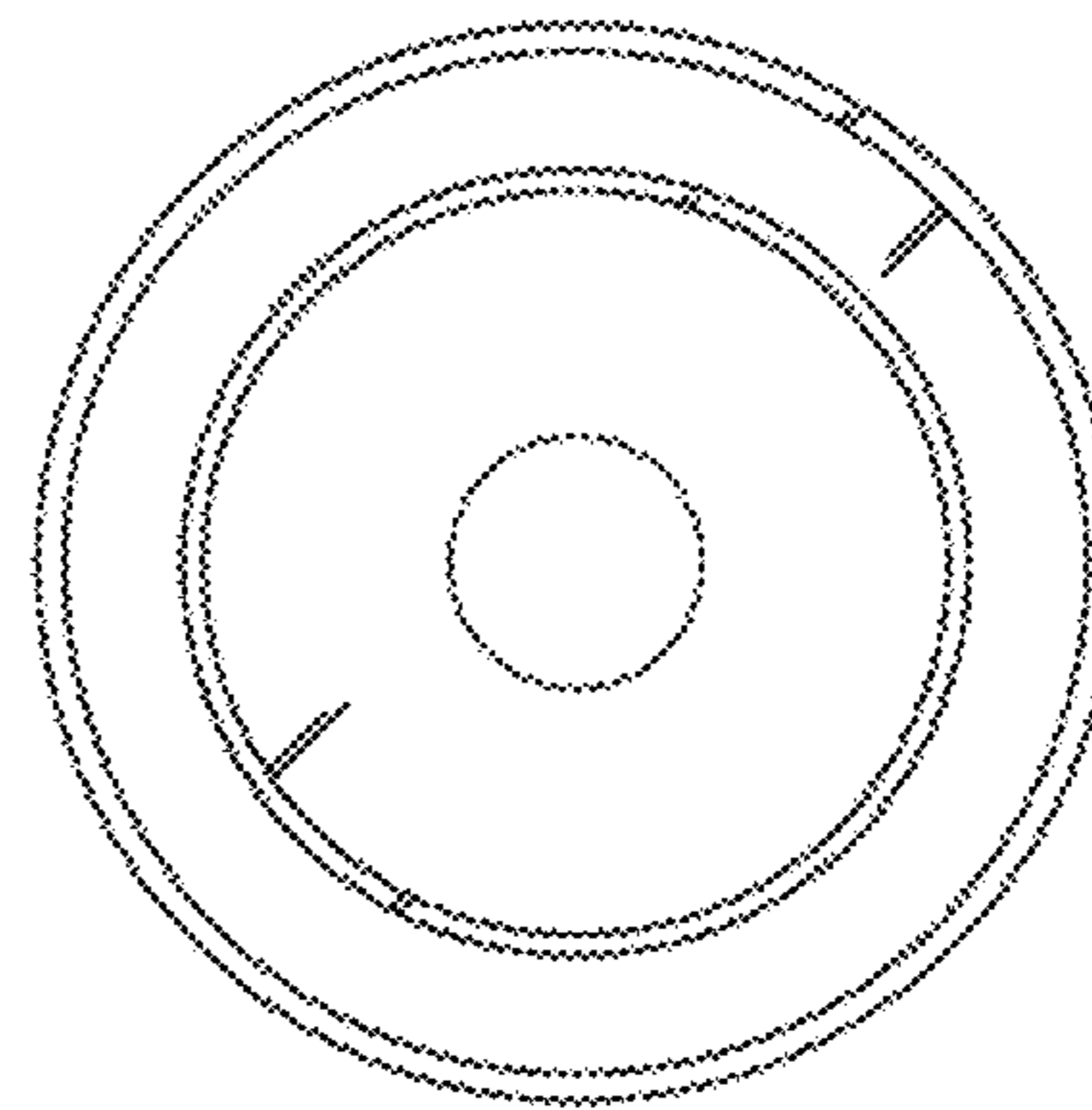


FIG. 5