



US00D926034S

(12) **United States Design Patent** (10) **Patent No.:** **US D926,034 S**  
**Bravman et al.** (45) **Date of Patent:** **\*\* Jul. 27, 2021**

(54) **BOTTLE CAP**

(71) Applicant: **Billie, Inc.**, New York, NY (US)

(72) Inventors: **Jason Bravman**, New York, NY (US);  
**Georgina Gooley**, Brooklyn, NY (US);  
**Julia Nimocks**, Brooklyn, NY (US);  
**Noemie Le Coz**, Brooklyn, NY (US);  
**Dylan Johnson**, Brooklyn, NY (US);  
**Dilan Walpola**, Plano, TX (US); **Daniel Nelson**, Plano, TX (US)

(73) Assignee: **Billie, Inc.**, New York, NY (US)

(\*\*) Term: **15 Years**

(21) Appl. No.: **29/719,077**

(22) Filed: **Dec. 31, 2019**

(51) **LOC (13) Cl.** ..... **09-07**

(52) **U.S. Cl.**  
USPC ..... **D9/452**

(58) **Field of Classification Search**  
USPC ..... D7/509, 510, 511, 624.1, 387, 391, 392,  
D7/392.1, 393, 396.1, 396.2, 400, 561,  
D7/396.4, 401.1; D9/434, 435, 439, 445,  
D9/447, 451, 452, 454; D23/259, 260,  
D23/261, 209, 210; D24/162, 127;  
D28/76, 85, 91.1; D8/300, 303, 321,  
D8/322; D26/118, 119, 125, 122, 130;  
D11/157; D12/1, 12, 101, 209  
CPC ... B65D 1/00; B65D 1/02; B65D 1/10; B65D  
1/46; B65D 2585/56; B65D 2585/545;  
B65D 41/00; B65D 41/38; B65D 41/56;  
B65D 41/62; B65D 47/00; B65D 47/06;  
B65D 47/08; B65D 23/00; B65D  
51/1694; B65D 43/0212; B65D 43/0208;  
B65D 2543/00046; B65D 2543/00092;  
B65D 1/24; B65D 25/04; B65D 43/09;  
B65D 43/16; A61J 1/00; A61J 1/1412;  
A61J 1/02

See application file for complete search history.

(56) **References Cited**

U.S. PATENT DOCUMENTS

D105,858 S *	8/1937	Fleisch .....	D9/453
D138,313 S *	7/1944	Derham .....	D9/453
D144,101 S *	3/1946	Botelho .....	D28/85
D152,625 S *	2/1949	Kronman .....	D9/453
D156,193 S *	11/1949	Baron .....	D9/453
D184,083 S *	12/1958	Crabbe .....	D9/453
D296,672 S *	7/1988	Bouthillier .....	D9/436
D453,109 S *	1/2002	Piquet .....	D9/451
D478,393 S *	8/2003	Alduby .....	D26/118
D693,683 S *	11/2013	Ramsey .....	D9/453
D739,083 S *	9/2015	Ho .....	D28/85
D782,312 S *	3/2017	Soriano Tato .....	D9/453
D793,172 S *	8/2017	Medina .....	D7/624.2
D869,275 S *	12/2019	Taunk .....	D9/453
D884,474 S *	5/2020	Pinard .....	D9/452

(Continued)

FOREIGN PATENT DOCUMENTS

CN	305215440	*	6/2019
JP	D1662041	*	6/2020

*Primary Examiner* — Catherine S Posthauer

(74) *Attorney, Agent, or Firm* — Lowenstein Sandler LLP

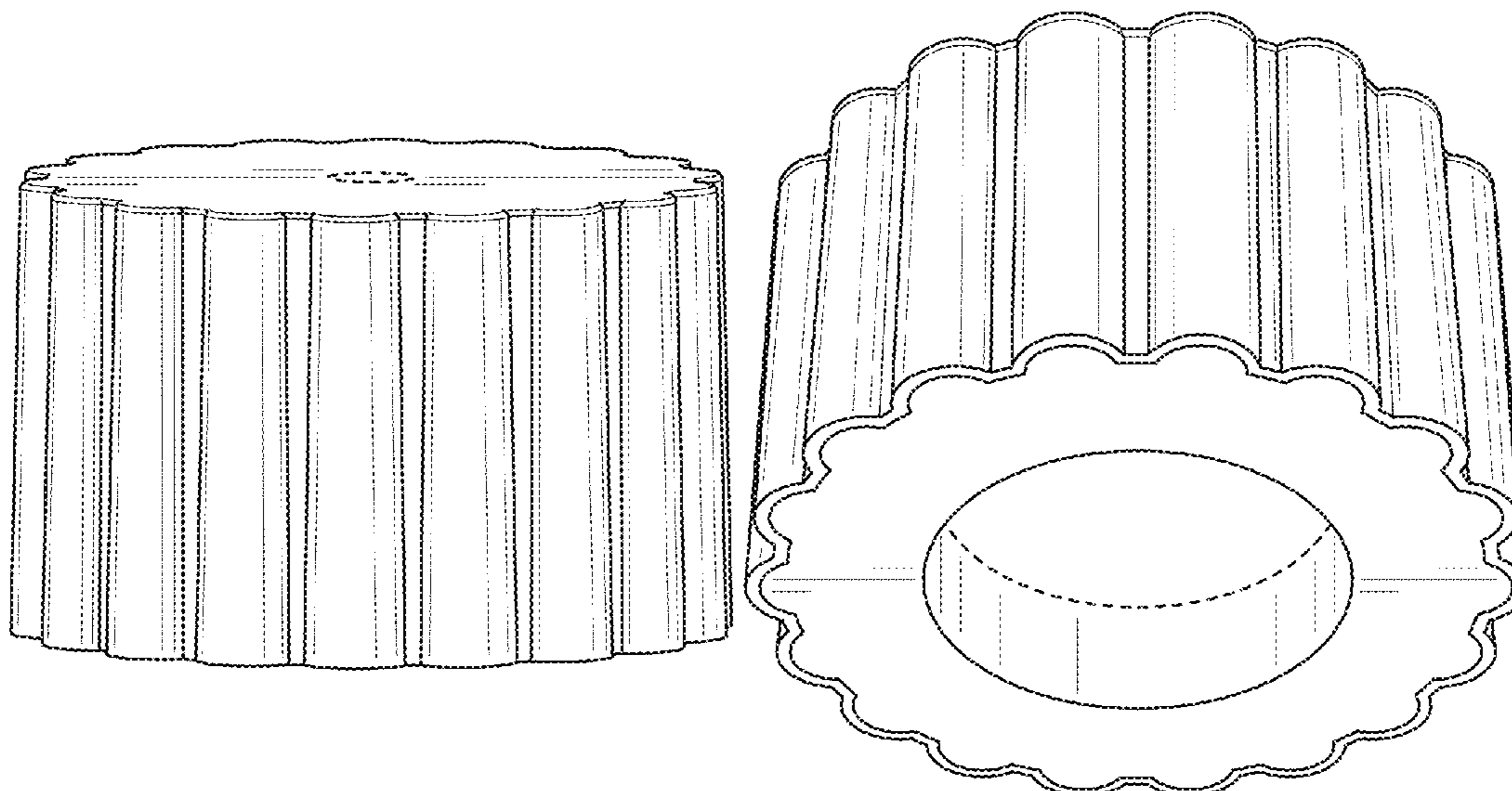
(57) **CLAIM**

The ornamental design for a bottle cap, as shown and described.

**DESCRIPTION**

FIG. 1 is a perspective view of a bottle cap in accordance with the present invention;  
FIG. 2 is another perspective view thereof;  
FIG. 3 is an elevation view thereof;  
FIG. 4 is a top plan view thereof; and,  
FIG. 5 is a bottom plan view thereof.  
The portions of the bottle cap shown in broken lines form no part of the claimed design.

**1 Claim, 4 Drawing Sheets**



(56)

**References Cited**

U.S. PATENT DOCUMENTS

D889,263 S \* 7/2020 Scharf ..... D9/452  
D903,493 S \* 12/2020 Tian ..... D9/453

\* cited by examiner

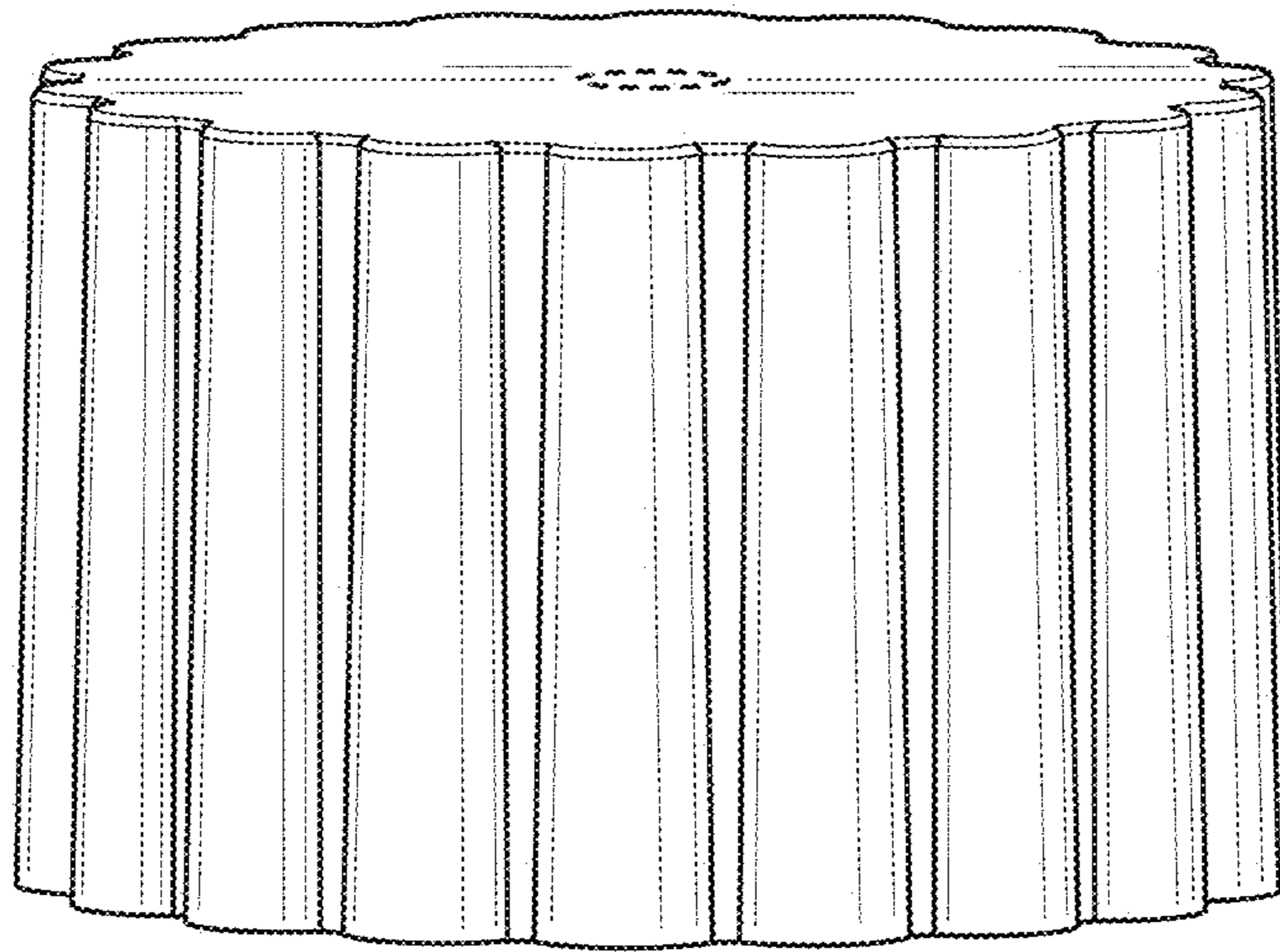


FIG. 1

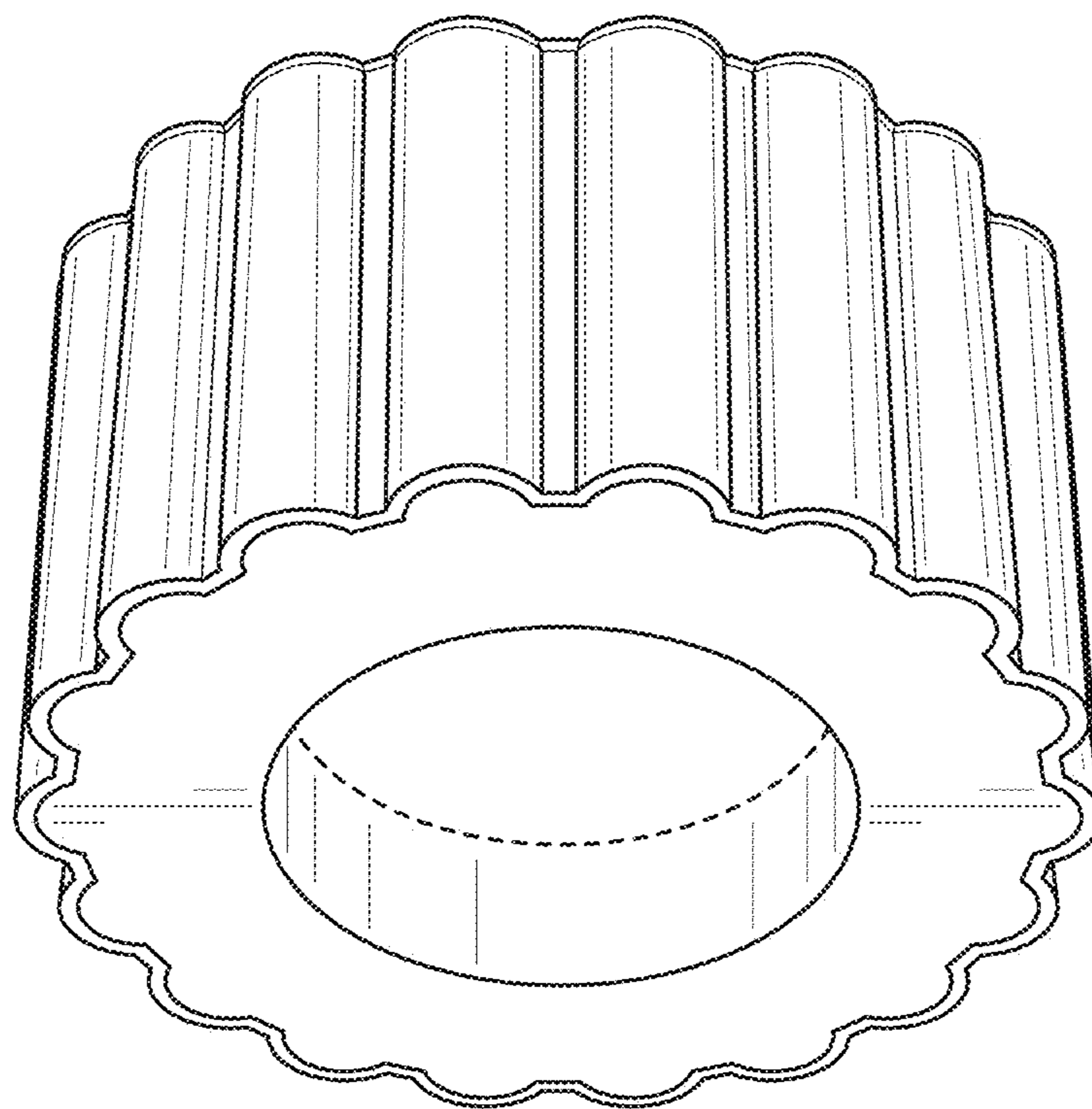


FIG. 2

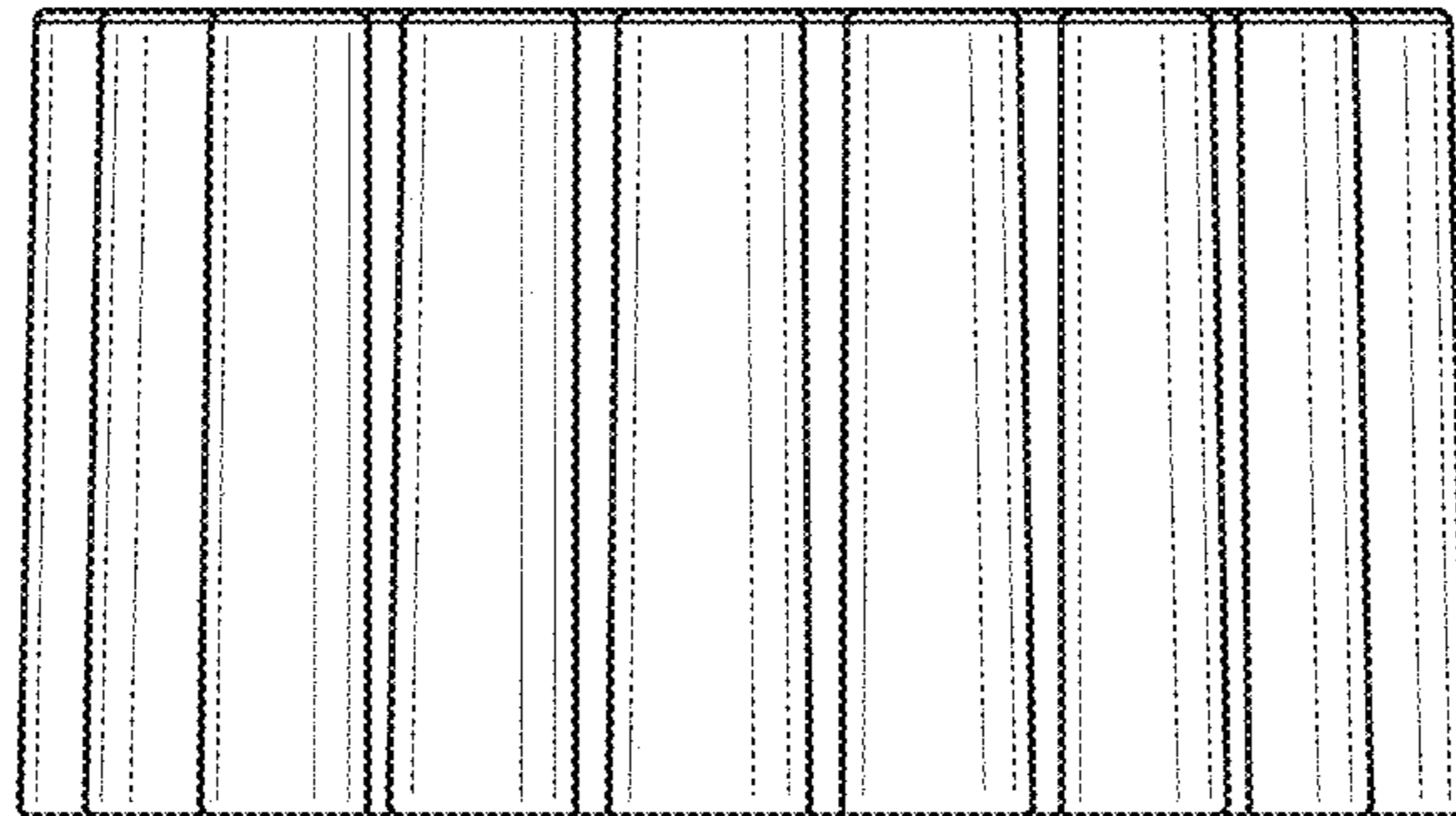


FIG. 3

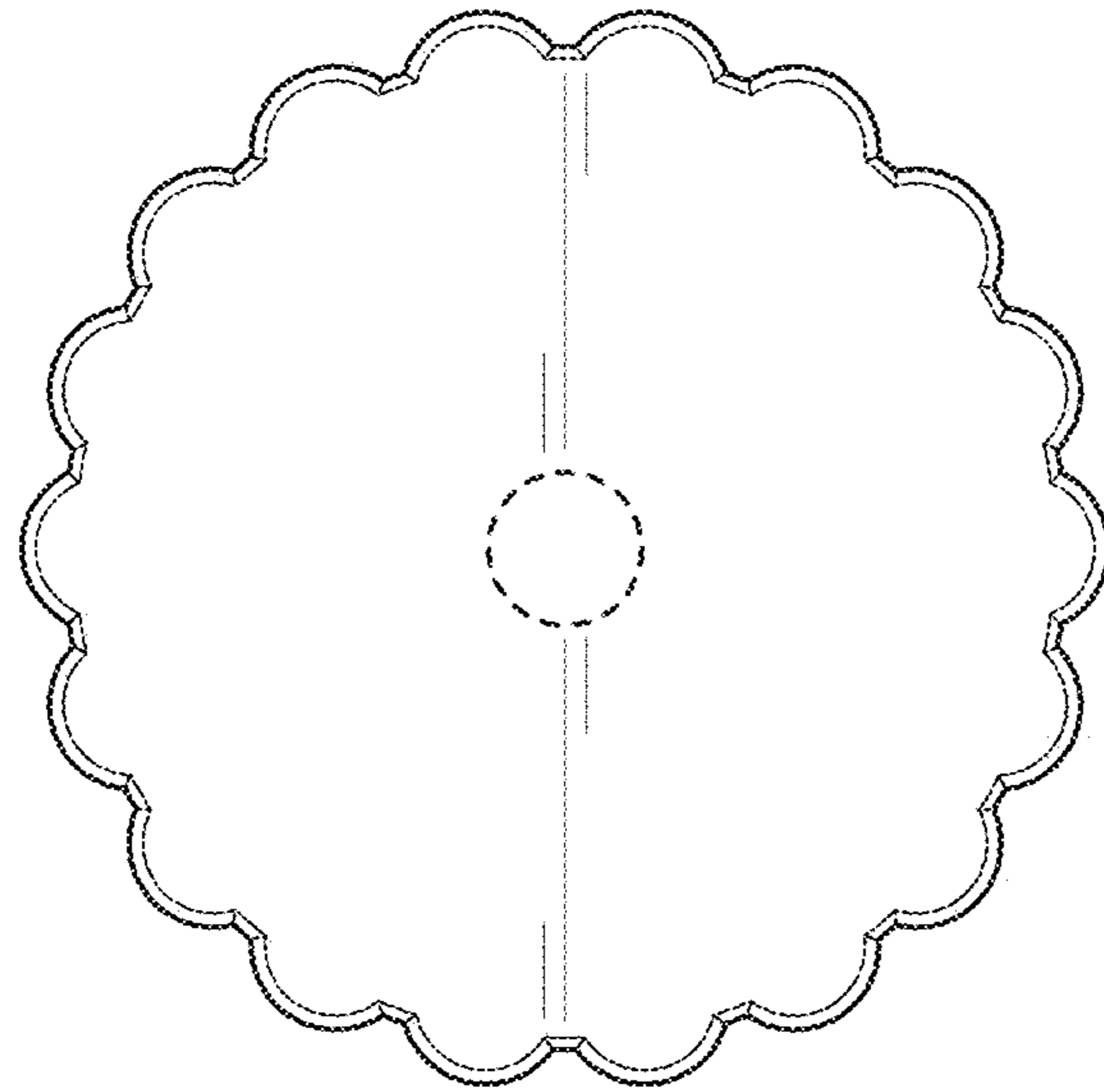


FIG. 4

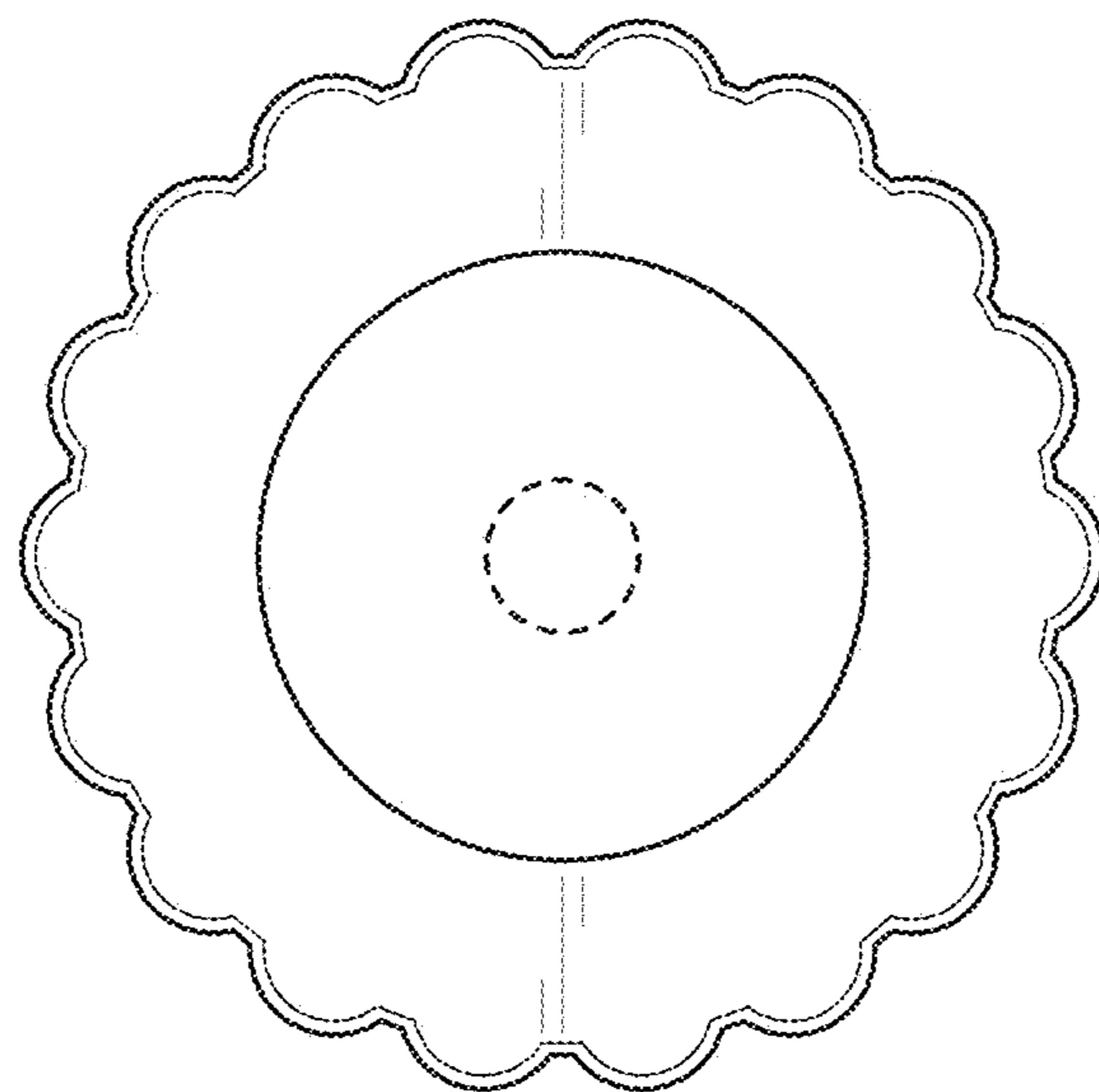


FIG. 5