



US00D926033S

(12) **United States Design Patent** (10) **Patent No.:** **US D926,033 S**
Sullivan (45) **Date of Patent:** **** *Jul. 27, 2021**

- (54) **BOTTLE OPENING SEALER WITH AN INDICATOR WINDOW** 3,326,403 A * 6/1967 Glass B65D 39/12
220/234
- (71) Applicant: **Richard James Sullivan**, West Palm Beach, FL (US) 5,056,676 A * 10/1991 Allen B65D 45/24
215/284
- (72) Inventor: **Richard James Sullivan**, West Palm Beach, FL (US) D385,490 S * 10/1997 Sullivan D9/439
6,419,104 B1 * 7/2002 Sarajian B05B 12/26
220/234

(*) Notice: This patent is subject to a terminal disclaimer.

(**) Term: **15 Years**

(21) Appl. No.: **29/707,049**

(22) Filed: **Sep. 25, 2019**

Related U.S. Application Data

(63) Continuation-in-part of application No. 16/543,784, filed on Aug. 19, 2019.

(51) **LOC (13) Cl.** **09-01**

(52) **U.S. Cl.**
USPC **D9/439**

(58) **Field of Classification Search**
USPC D9/439, 443, 444, 445, 449, 450, 503,
D9/505, 529, 544; D15/145, 199
CPC B65D 39/12; B65D 51/245
See application file for complete search history.

(56) **References Cited**

U.S. PATENT DOCUMENTS

- 705,675 A * 7/1902 Jones B65D 39/12
215/294
- 875,397 A * 12/1907 Willis B65D 39/12
215/359
- 1,907,120 A * 5/1933 Rishel B65D 39/04
217/110
- 2,312,738 A * 3/1943 Ulanet B65D 39/12
215/354

- D477,225 S * 7/2003 Pinnavaia D9/435
- D490,313 S * 5/2004 DeBiasse D9/435

(Continued)

Primary Examiner — Patricia A Palasik

(57) **CLAIM**

The ornamental design for a bottle opening sealer with an indicator window, as shown and described.

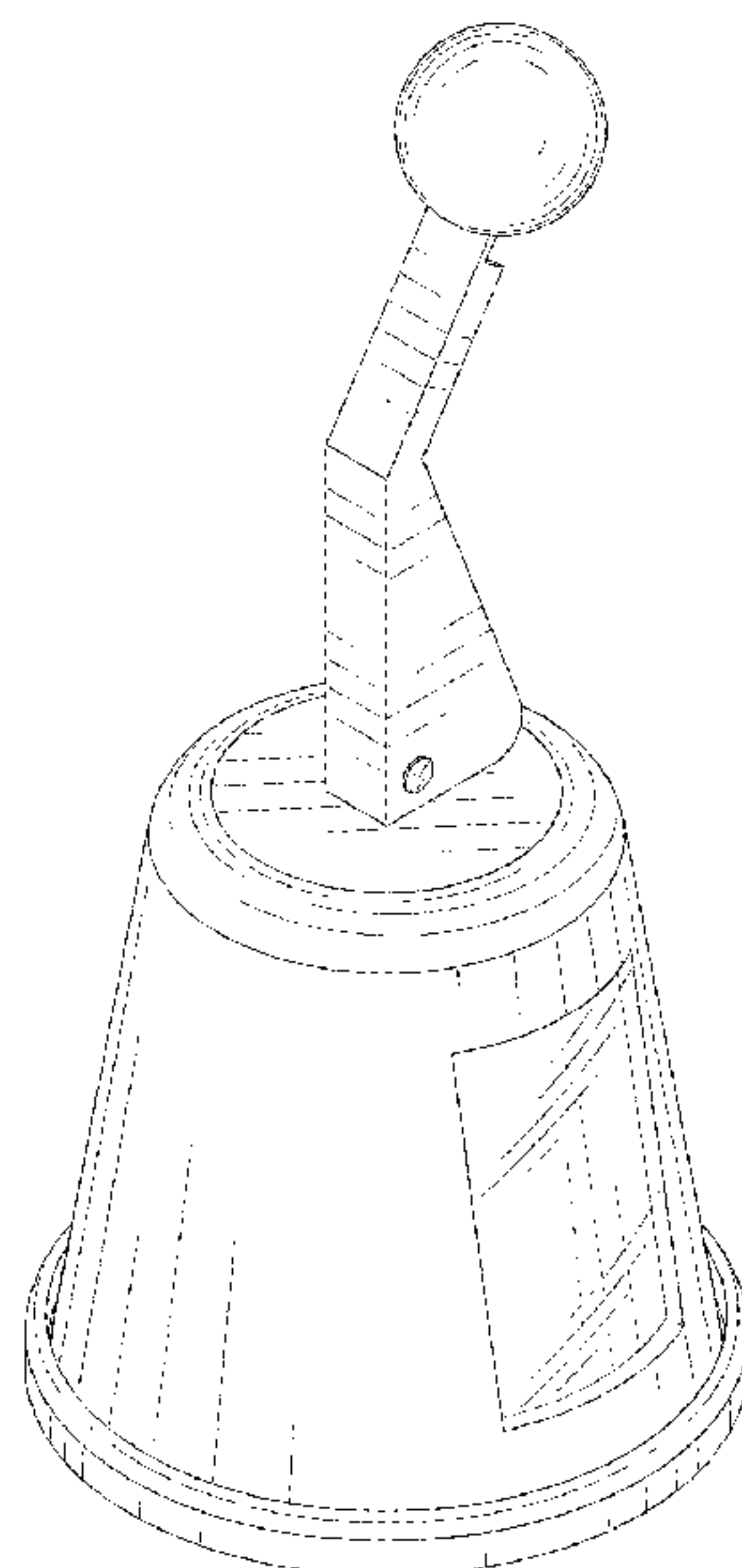
DESCRIPTION

FIG. 1 is a front-left-top perspective view of a bottle opening sealer with an indicator window;
 FIG. 2 is a front-right-top perspective view thereof;
 FIG. 3 is a rear-left-top perspective view thereof;
 FIG. 4 is a rear-right-top perspective view thereof;
 FIG. 5 is a bottom perspective view thereof;
 FIG. 6 is a front elevational view thereof;
 FIG. 7 is a rear elevational view thereof;
 FIG. 8 is a top plan view thereof;
 FIG. 9 is a bottom plan view thereof;
 FIG. 10 is a left-side elevational view thereof;
 FIG. 11 is a right-side elevational view thereof;
 FIG. 12 is top perspective alternative view of thereof; and,
 FIG. 13 is front alternative view of thereof.

The present invention hermetically seals a bottle opening to preserve the liquid within a bottle, visually indicates the type of liquid within the bottle, and monitors the surrounding temperature of the bottle.

The broken lines in FIG. 5 and FIG. 9 are included for the purpose of showing portions of the bottle opening sealer with an indicator window which form no part of the claimed design.

1 Claim, 13 Drawing Sheets



(56)

References Cited

U.S. PATENT DOCUMENTS

D493,367 S * 7/2004 Simons D9/439
D493,719 S * 8/2004 Simons D9/439
D595,537 S * 7/2009 Mansfield 206/219
10,602,818 B1 * 3/2020 Kerr B65D 25/107
2004/0178167 A1 * 9/2004 Lin B65D 51/1683
215/360
2006/0231520 A1 * 10/2006 Van Cromvoirt B65D 39/12
215/355
2008/0197104 A1 * 8/2008 Wang Wu B65D 39/14
215/355
2020/0207522 A1 * 7/2020 Sullivan B65D 39/12

* cited by examiner

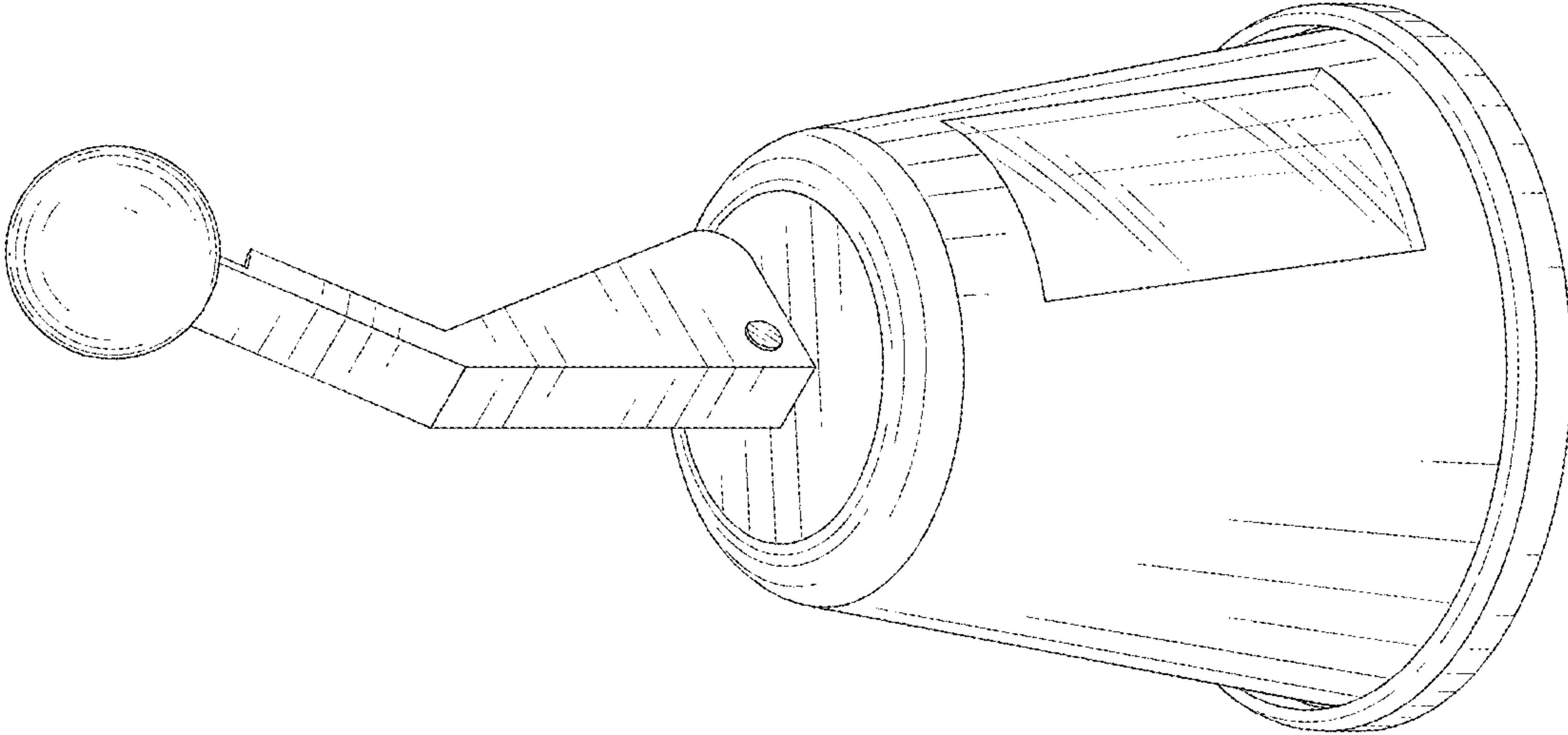


FIG. 1

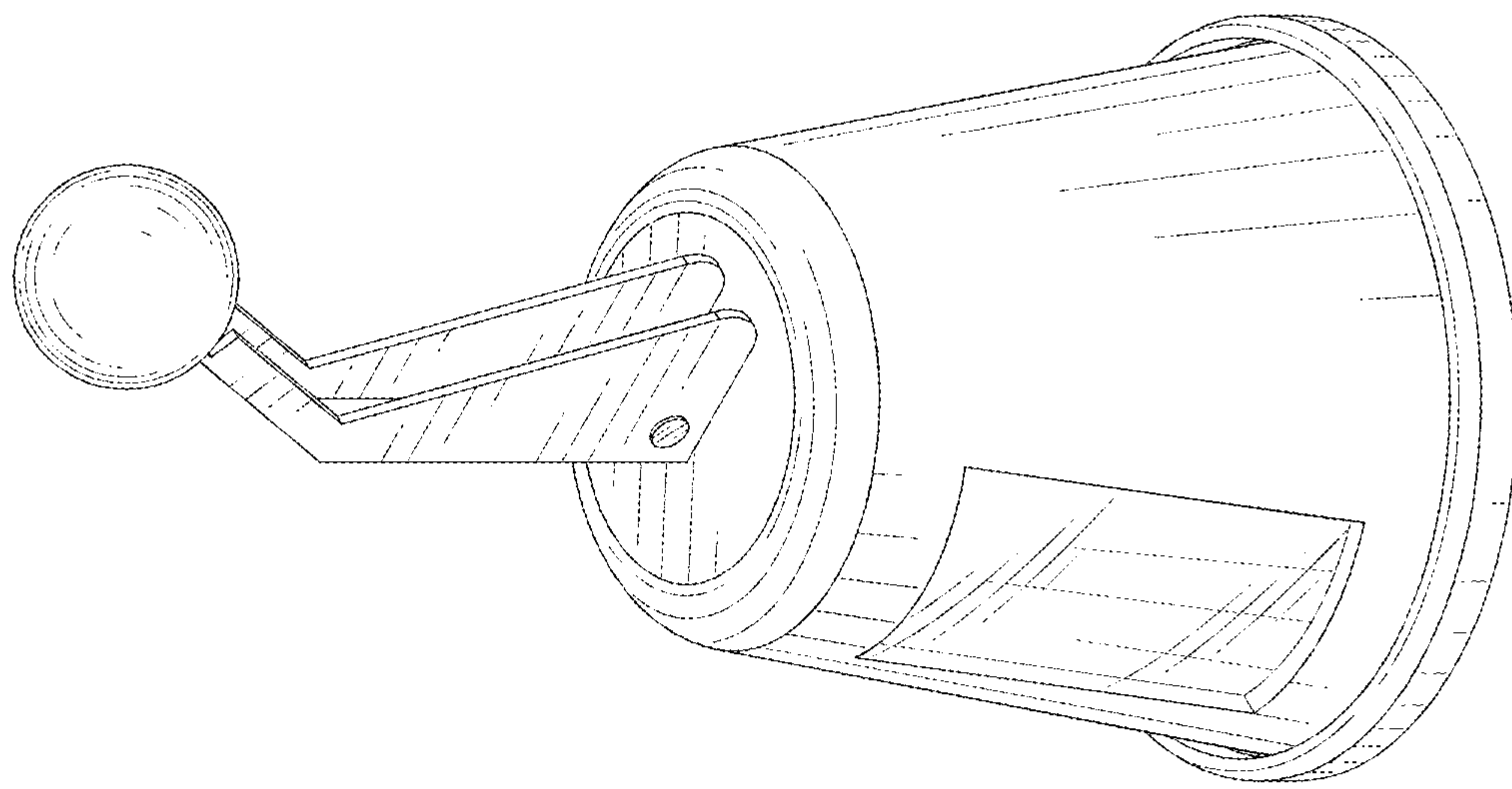


FIG. 2

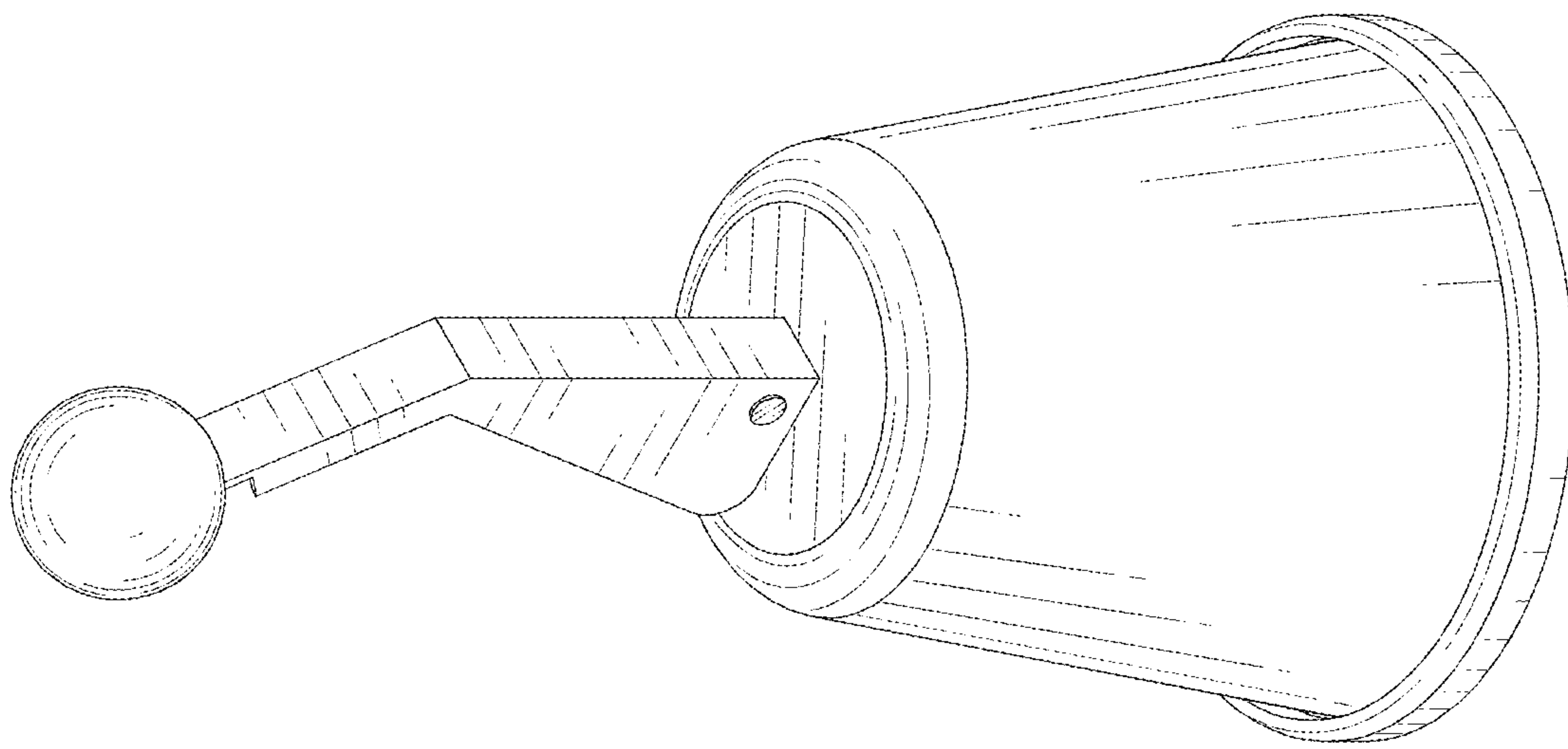


FIG. 3

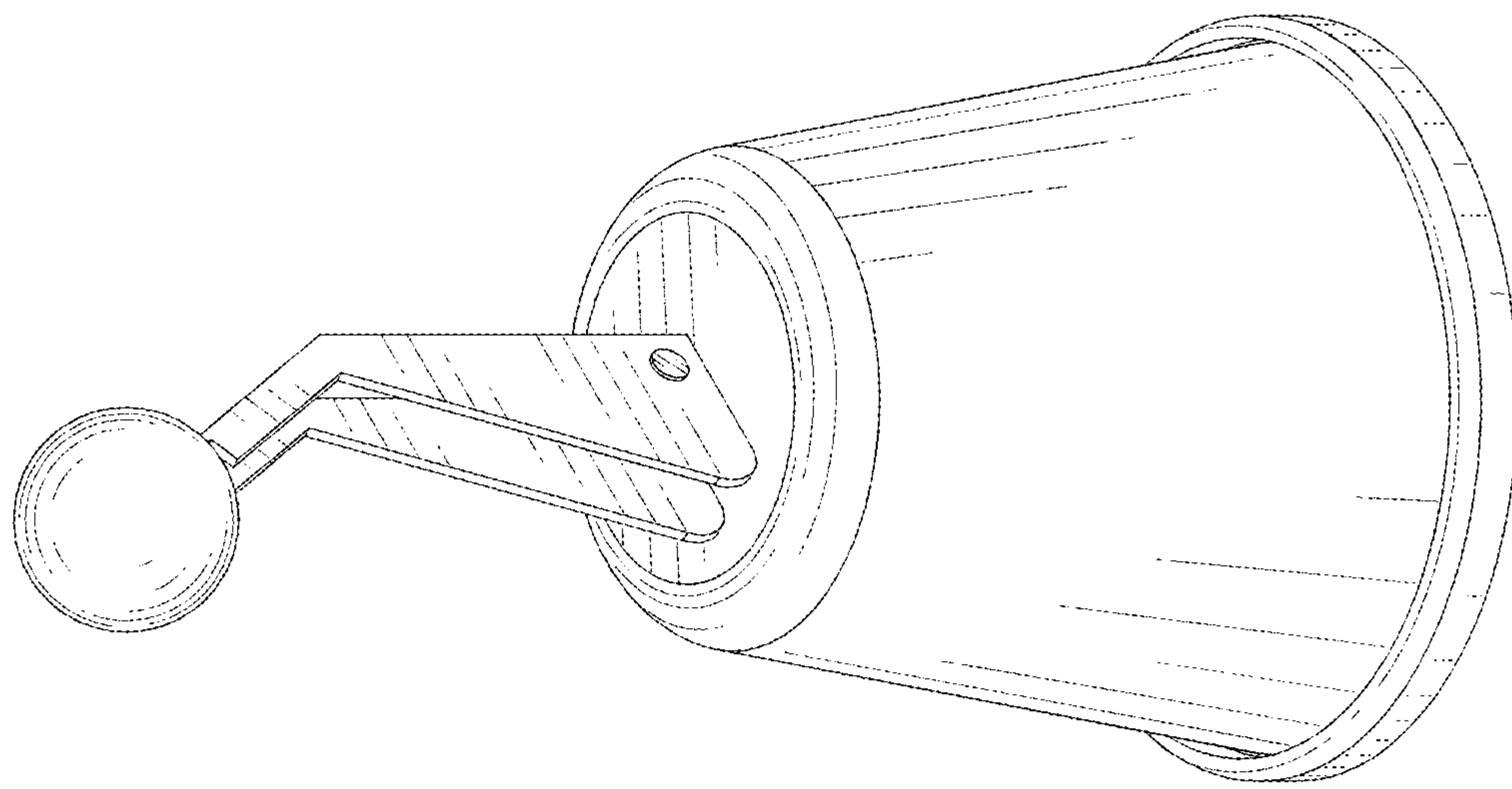


FIG. 4

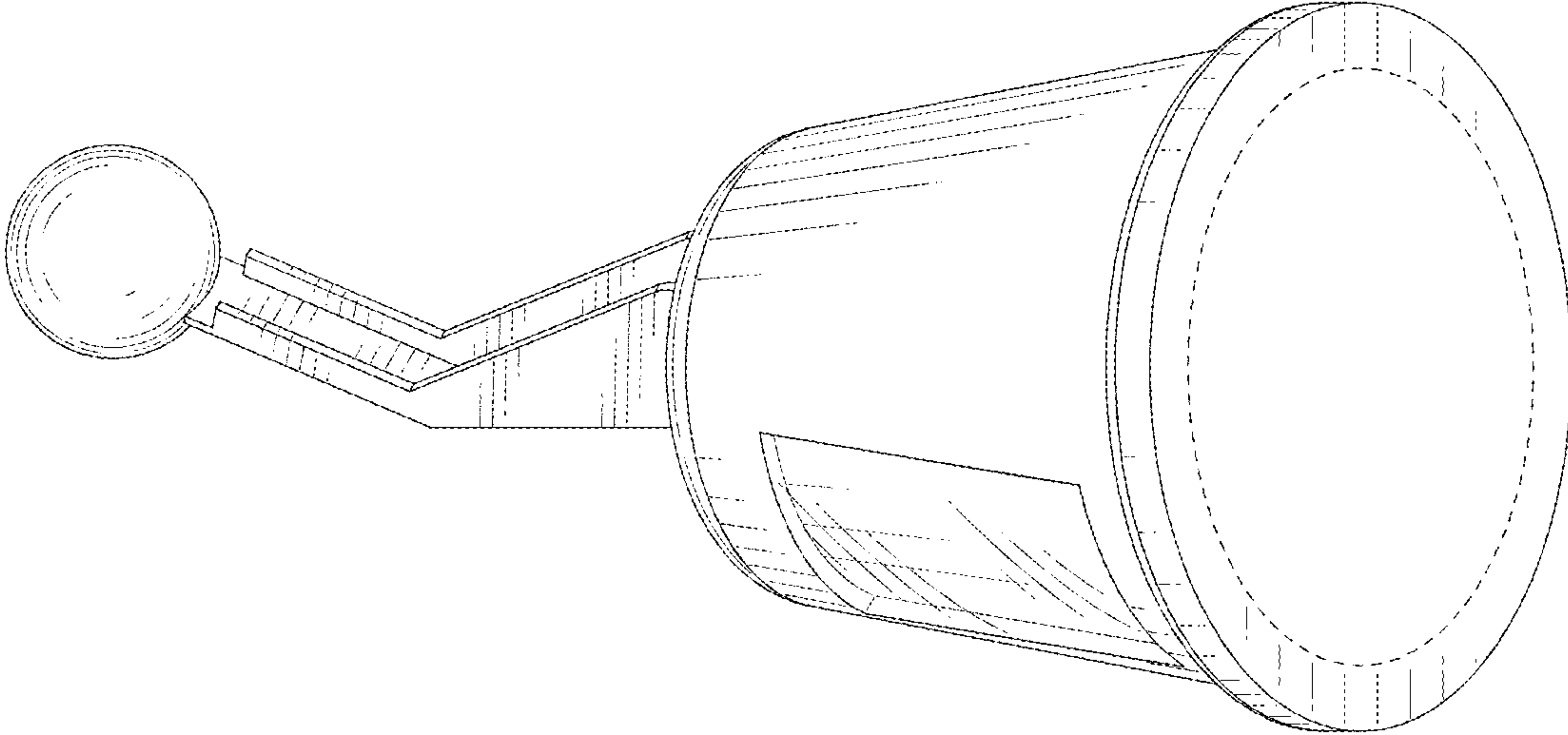


FIG. 5

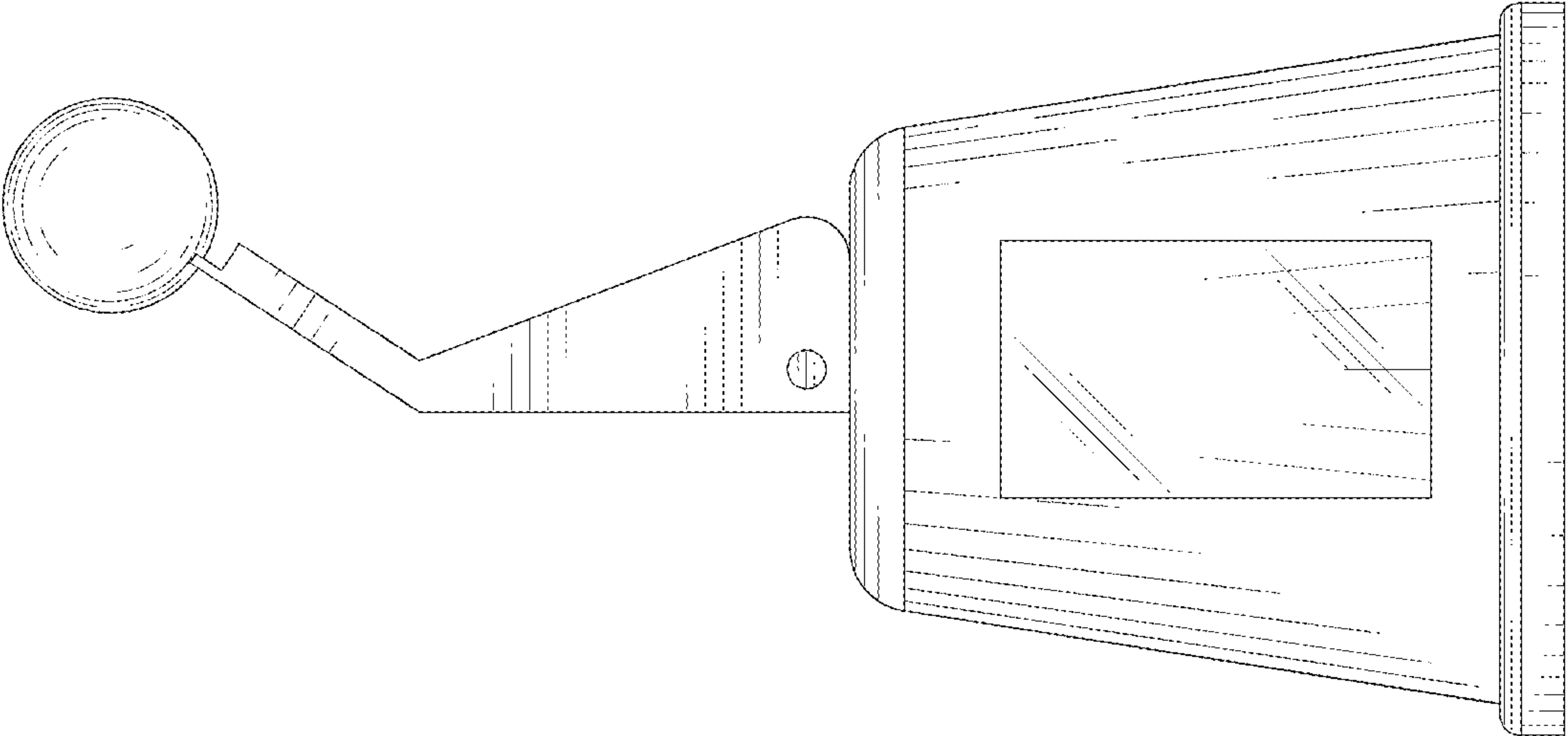


FIG. 6

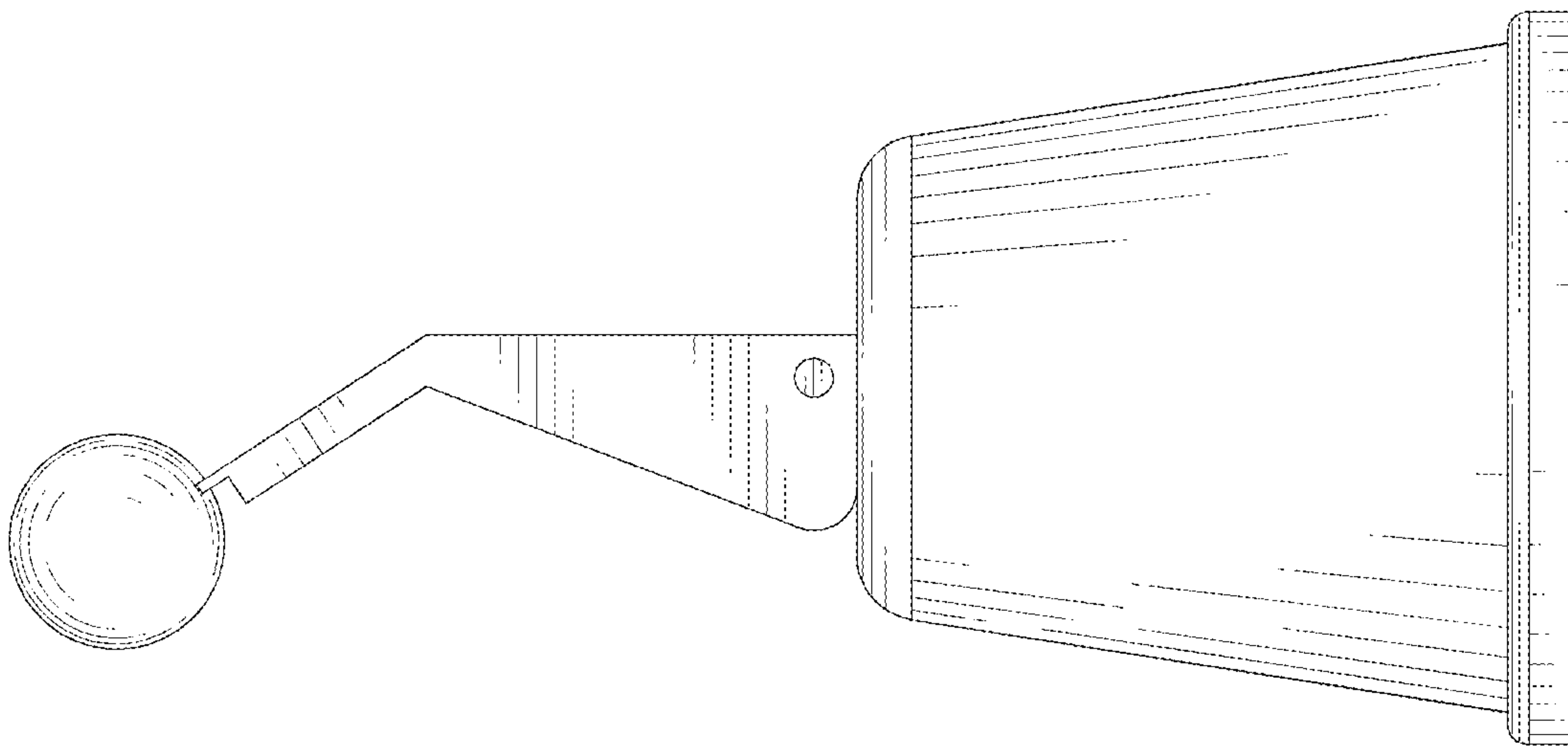


FIG. 7

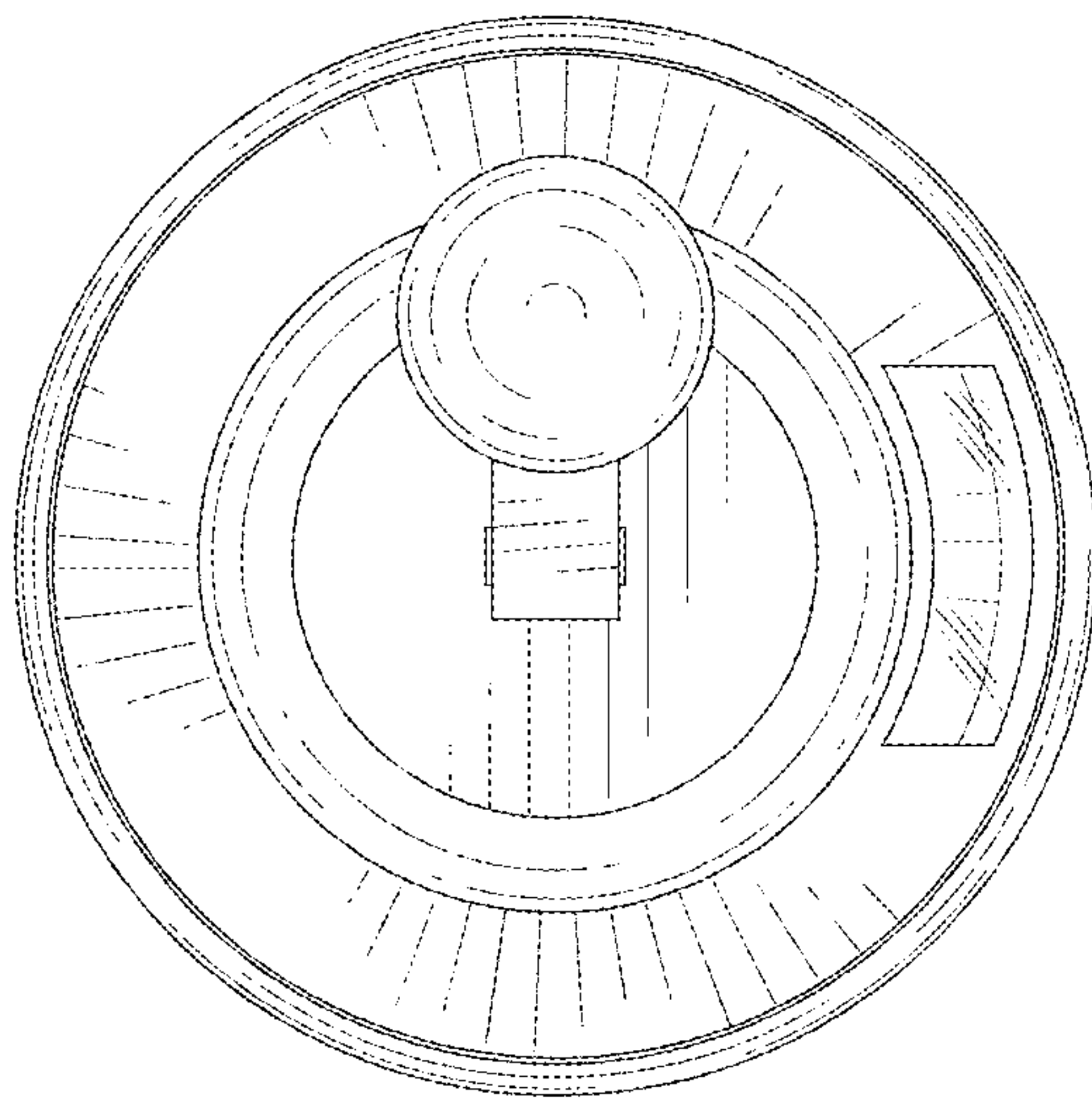


FIG. 8

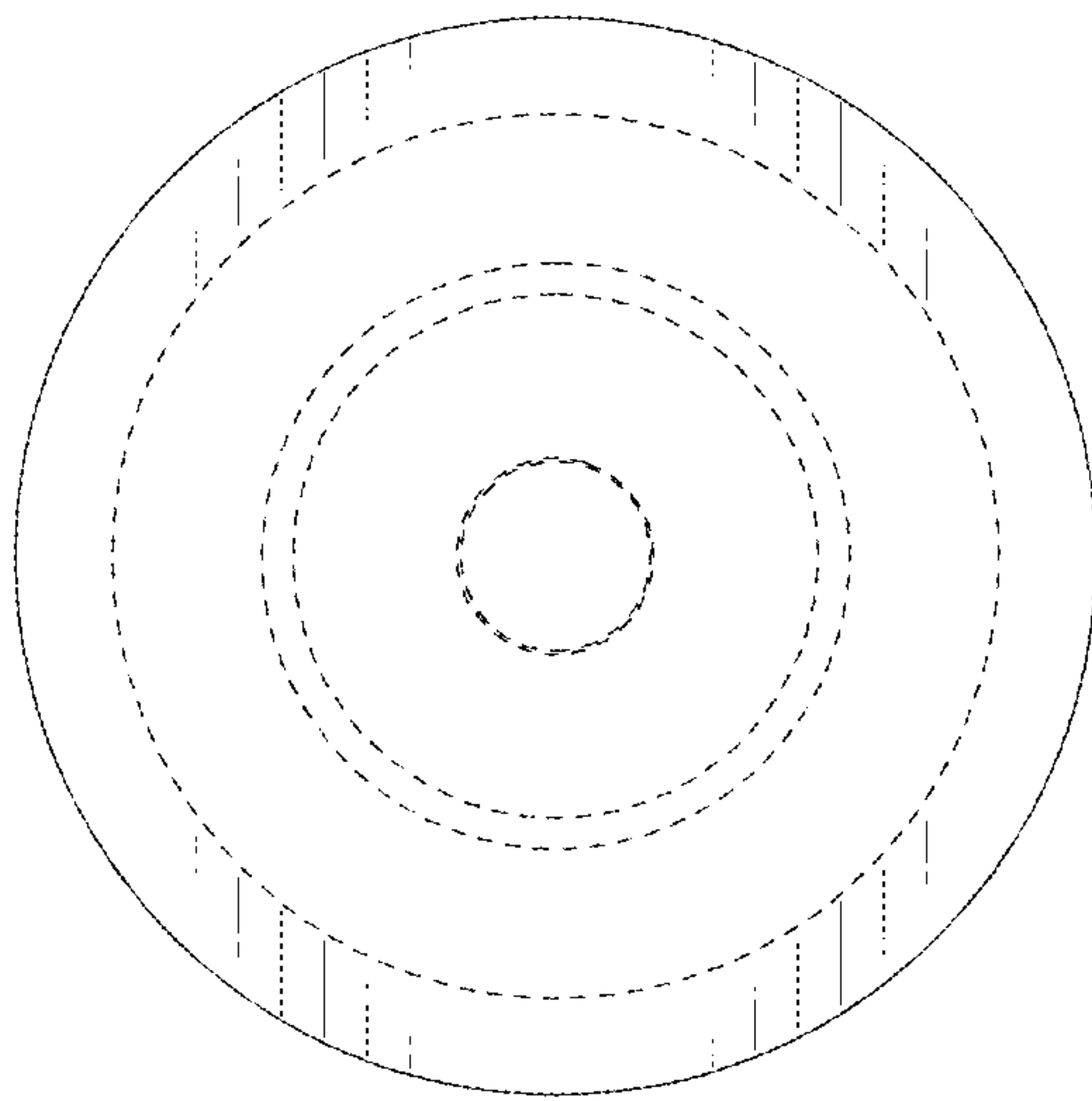


FIG. 9

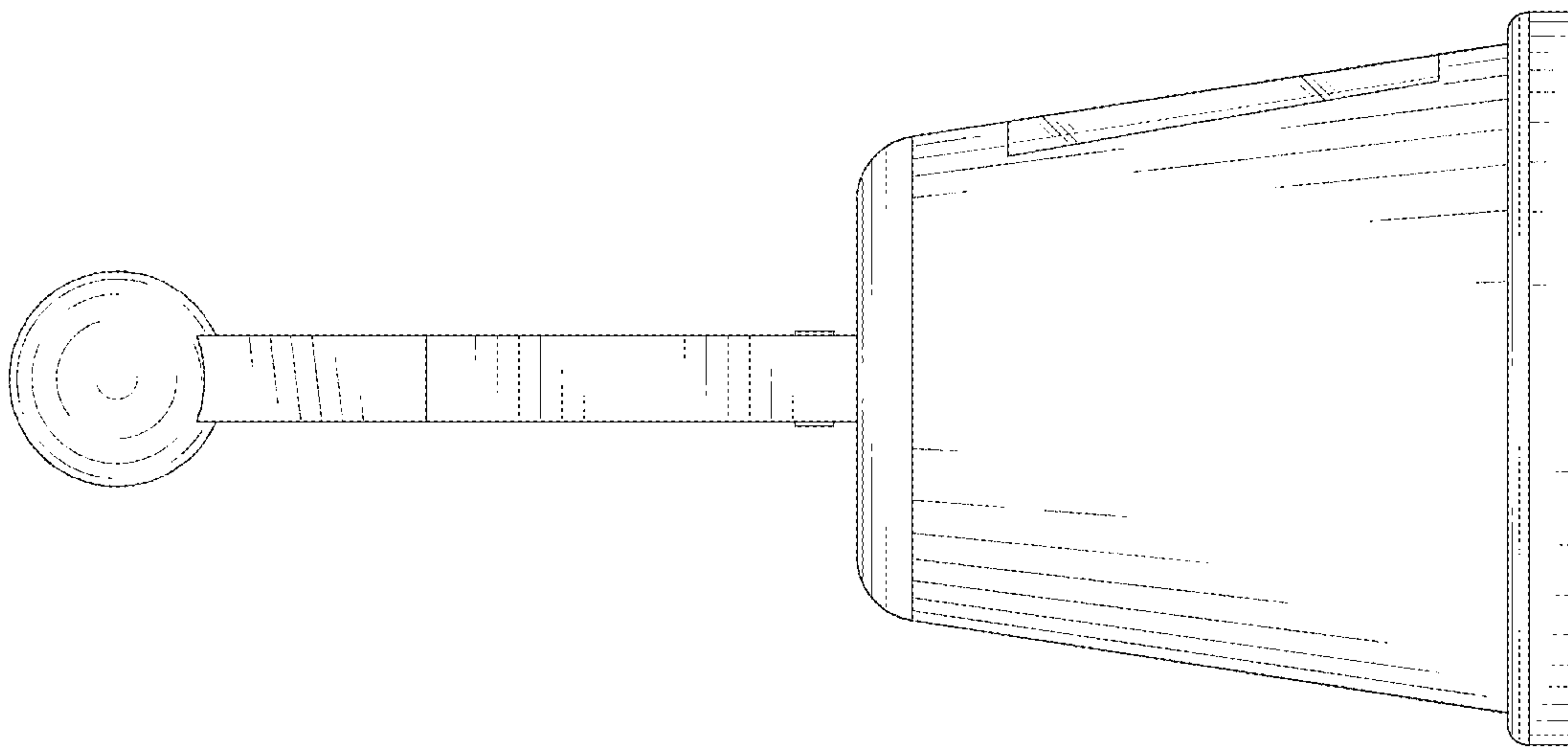


FIG. 10

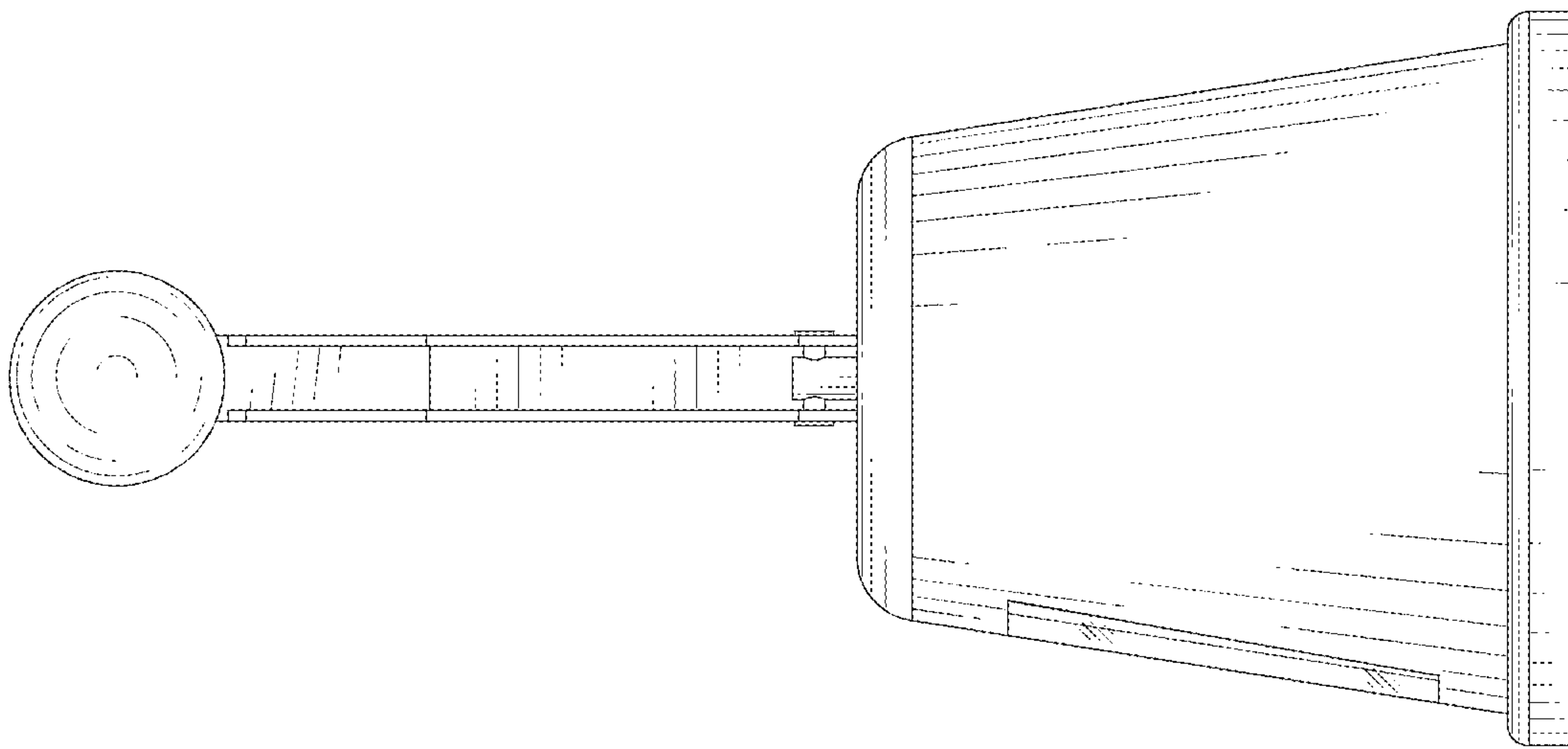


FIG. 11

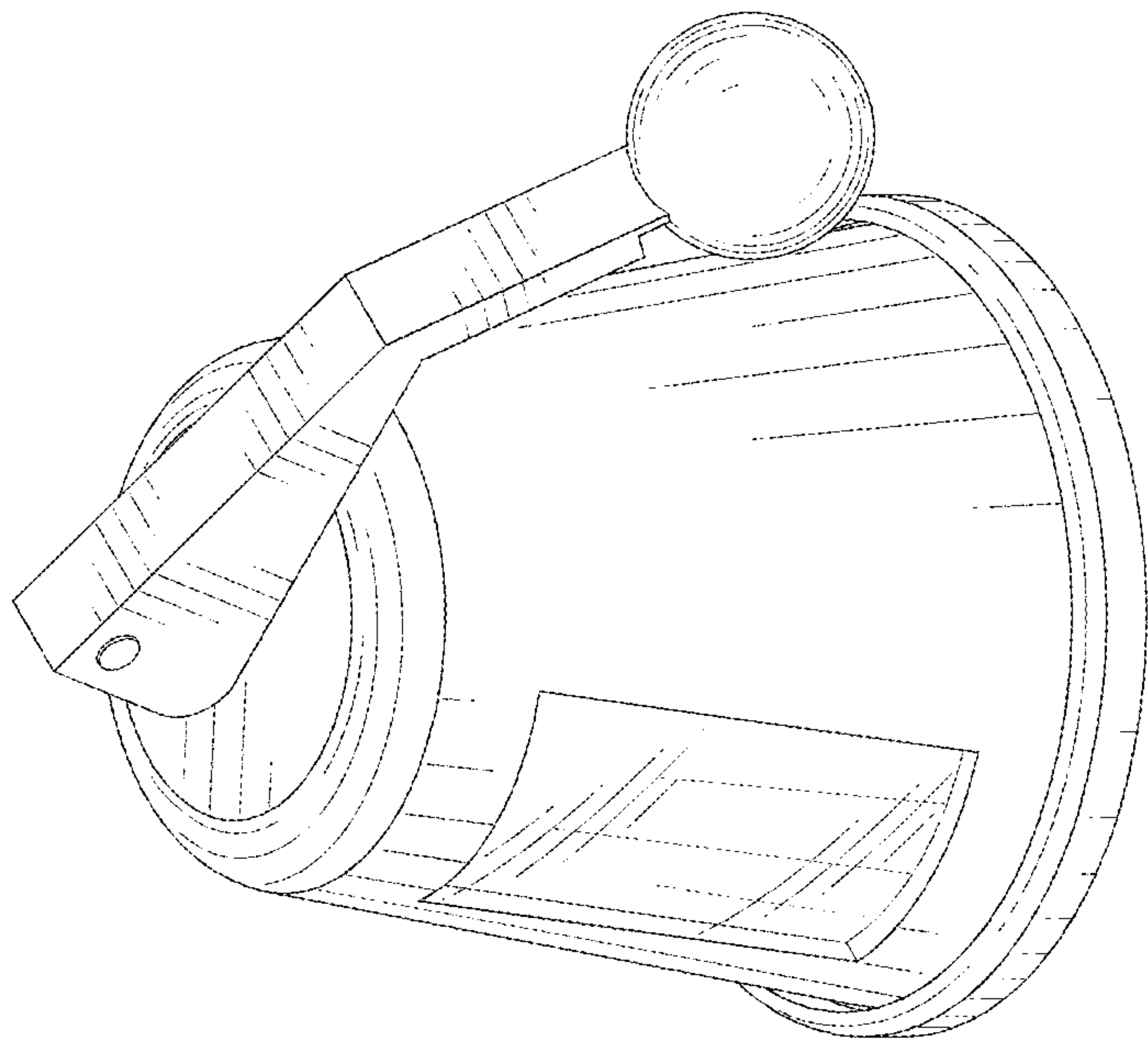


FIG. 12

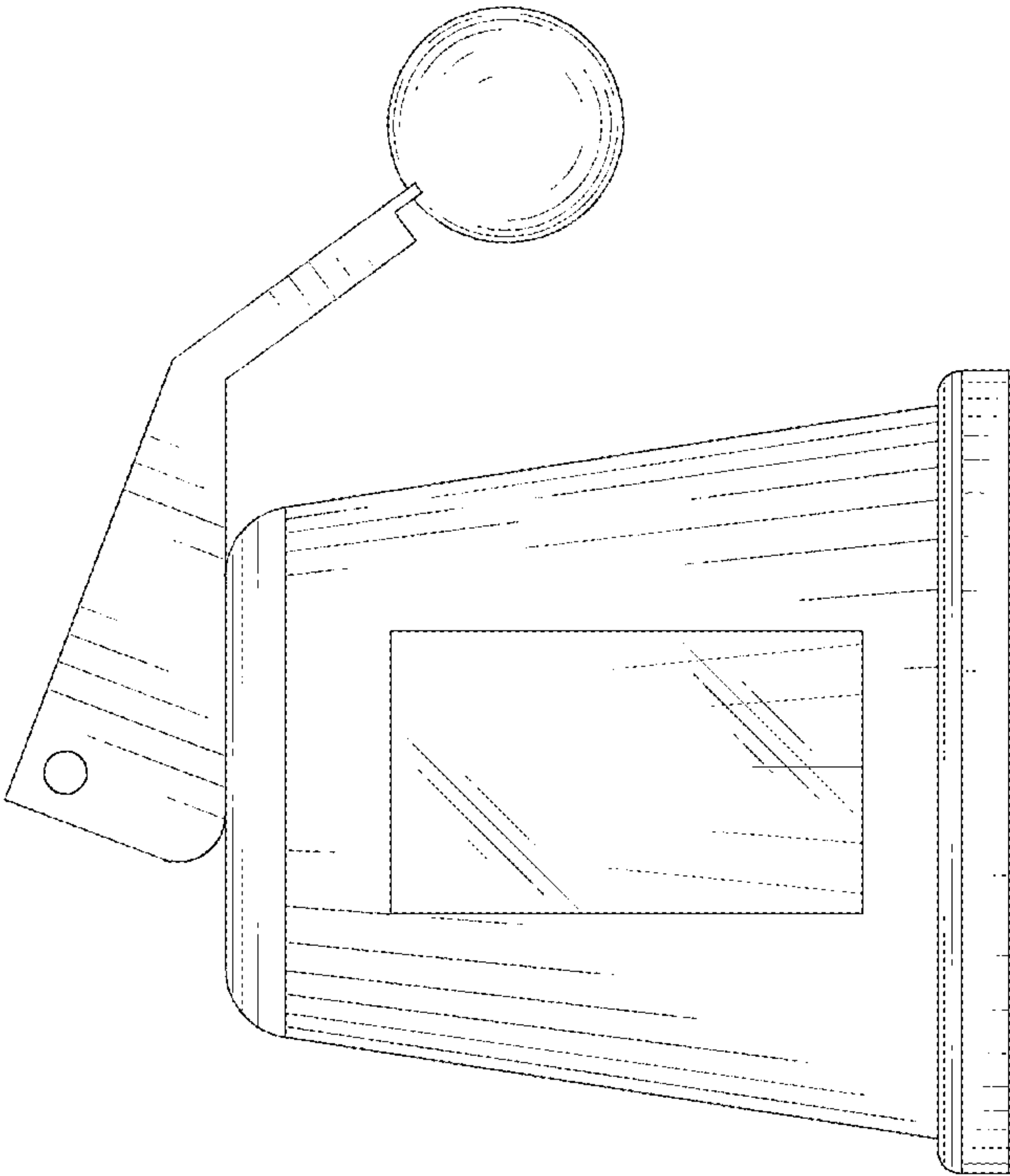


FIG. 13