



US00D926025S

(12) **United States Design Patent** (10) **Patent No.:** **US D926,025 S**  
**Li** (45) **Date of Patent:** **\*\* Jul. 27, 2021**

(54) **BOLT**  
(71) Applicant: **Jinsong Li**, Mengzhou (CN)  
(72) Inventor: **Jinsong Li**, Mengzhou (CN)  
(\*\*) Term: **15 Years**  
(21) Appl. No.: **29/726,347**  
(22) Filed: **Mar. 3, 2020**  
(51) **LOC (13) Cl.** ..... **08-08**  
(52) **U.S. Cl.**  
USPC ..... **D8/387**  
(58) **Field of Classification Search**  
USPC ..... D8/354, 355, 382, 383, 384, 385, 387,  
D8/393, 394  
CPC ..... E21D 20/00; E21D 20/025; E21D 21/008;  
F16B 13/066; F16B 13/141; D07B 9/00;  
D07B 2201/20; D07B 2201/2083; D07B  
2201/2084; F16G 11/03; F16G 11/04;  
F16G 11/08; F16G 11/10; F16G 11/105;  
F16G 11/048; F16G 11/00  
See application file for complete search history.

(56) **References Cited**  
U.S. PATENT DOCUMENTS  
3,339,449 A \* 9/1967 Lerich ..... E21D 21/008  
411/53  
D258,799 S \* 4/1981 Stern ..... D8/382  
RE31,776 E \* 12/1984 Clark ..... E21D 21/008  
405/259.6  
4,656,806 A \* 4/1987 Leibhard ..... F16B 13/065  
52/704  
4,772,166 A \* 9/1988 Shamah ..... E04G 23/0222  
405/259.3  
4,861,198 A \* 8/1989 Stankus ..... E21D 20/025  
405/259.3  
6,829,871 B1 \* 12/2004 McSherry ..... F16B 13/066  
403/368

D558,042 S \* 12/2007 Gaudron ..... D8/387  
D615,392 S \* 5/2010 Gaudron ..... D8/387  
D615,855 S \* 5/2010 Gaudron ..... D8/387  
7,896,580 B2 \* 3/2011 Weaver ..... E02D 5/801  
405/259.4  
8,444,355 B2 \* 5/2013 Gaudron ..... F16B 13/065  
411/60.1  
8,678,730 B2 \* 3/2014 Gaudron ..... F16B 13/065  
411/60.1  
2004/0102720 A1 \* 5/2004 Kellerman ..... B21F 45/008  
600/585  
2006/0018721 A1 \* 1/2006 Robertson, Jr. .... E21D 21/008  
405/259.4  
2008/0213063 A1 \* 9/2008 Pratt ..... F16B 13/066  
411/43  
2009/0092462 A1 \* 4/2009 Pratt ..... F16B 35/06  
411/368  
2010/0111639 A1 \* 5/2010 Gaudron ..... F16B 13/065  
411/354

(Continued)

*Primary Examiner* — Sandra Snapp  
*Assistant Examiner* — Ieisha N Price

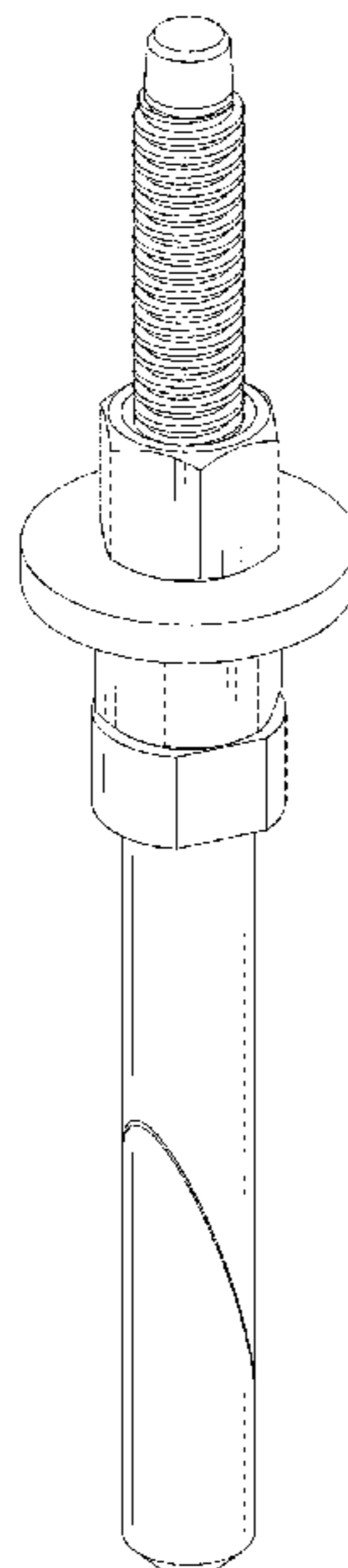
(57) **CLAIM**

The ornamental design for a bolt, as shown and described.

**DESCRIPTION**

FIG. 1 is a perspective view of a bolt showing my new design;  
FIG. 2 is a front elevational view thereof;  
FIG. 3 is a rear elevational view thereof;  
FIG. 4 is a right side elevational view thereof;  
FIG. 5 is a top plan view thereof;  
FIG. 6 is a right side elevational view thereof showing the bolt in a first state of use; and,  
FIG. 7 is a right side elevational view thereof showing the bolt in a second state of use.  
The broken lines in the drawings illustrate portions of the bolt and form no part of the claimed design.

**1 Claim, 7 Drawing Sheets**



(56)

**References Cited**

U.S. PATENT DOCUMENTS

2012/0201625 A1\* 8/2012 Ikuno ..... F16B 13/066  
411/5  
2012/0213607 A1\* 8/2012 Peled ..... E21D 21/008  
411/24  
2014/0059968 A1\* 3/2014 Andrews ..... F16B 13/065  
52/698  
2014/0105690 A1\* 4/2014 Tadolini ..... E21D 21/006  
405/259.1  
2018/0258975 A1\* 9/2018 Polidori ..... F16B 31/021  
2018/0347358 A1\* 12/2018 Rataj ..... E21D 21/004  
2019/0301507 A1\* 10/2019 Steinberg ..... C25D 7/003  
2020/0063558 A1\* 2/2020 Darlington ..... E21D 21/004  
2020/0217201 A1\* 7/2020 Zhang ..... E21D 20/003  
2021/0071525 A1\* 3/2021 Cawood ..... E21D 20/028

\* cited by examiner

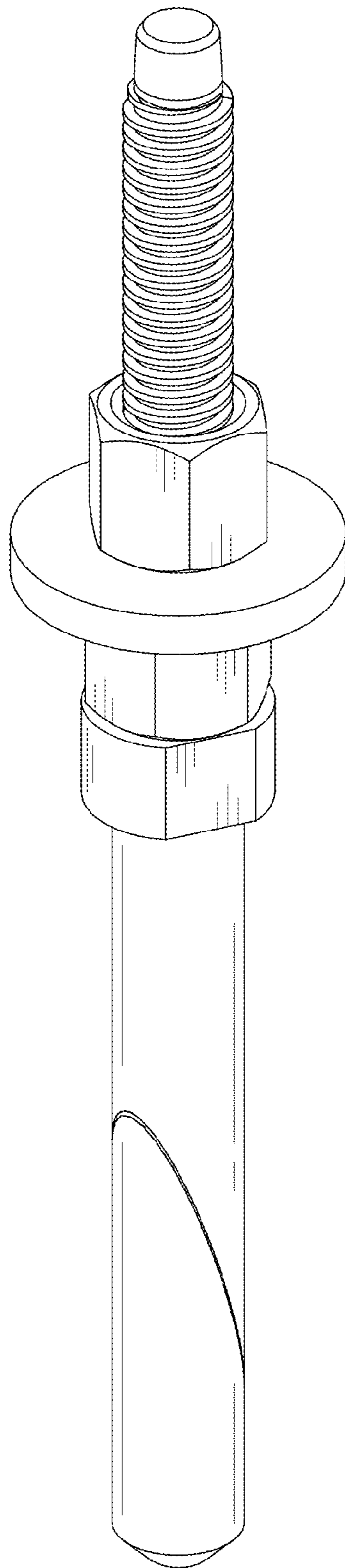


FIG. 1

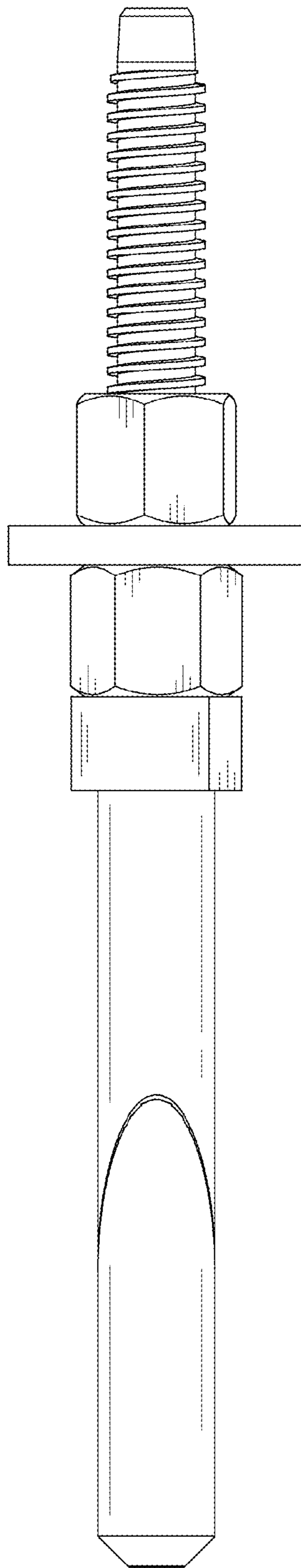


FIG. 2

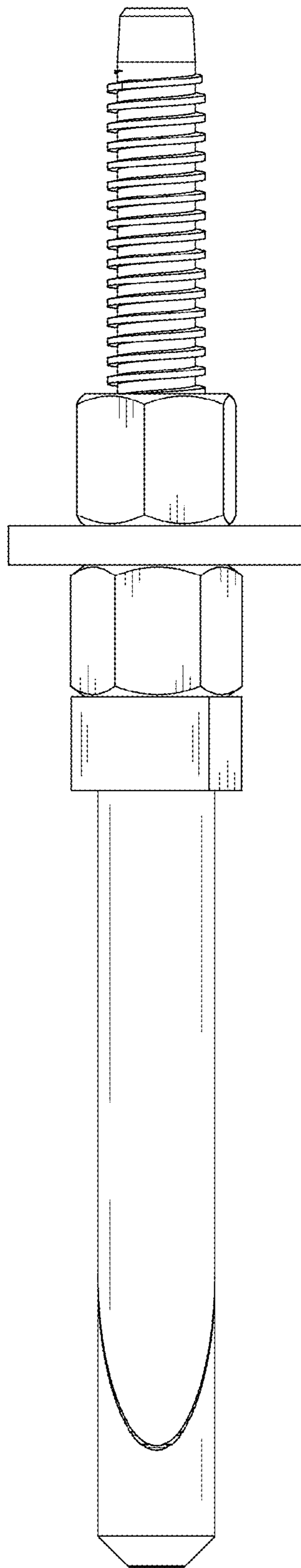


FIG. 3

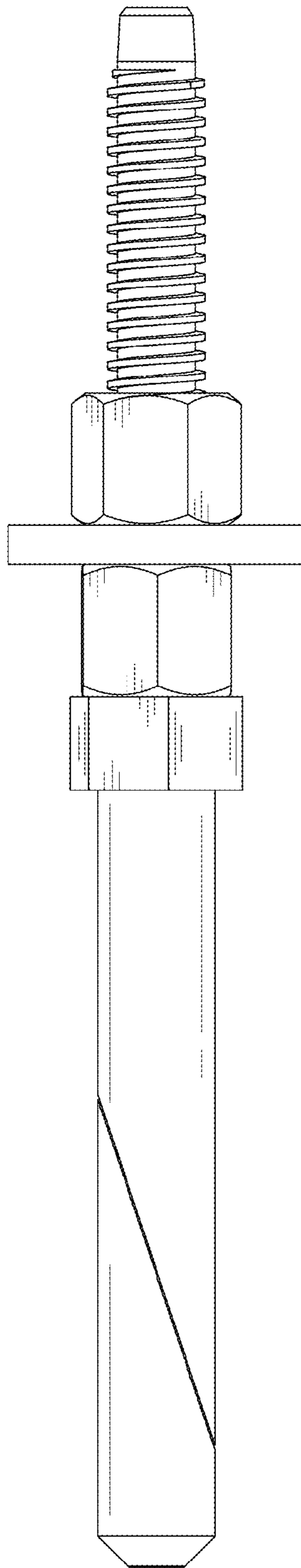


FIG. 4

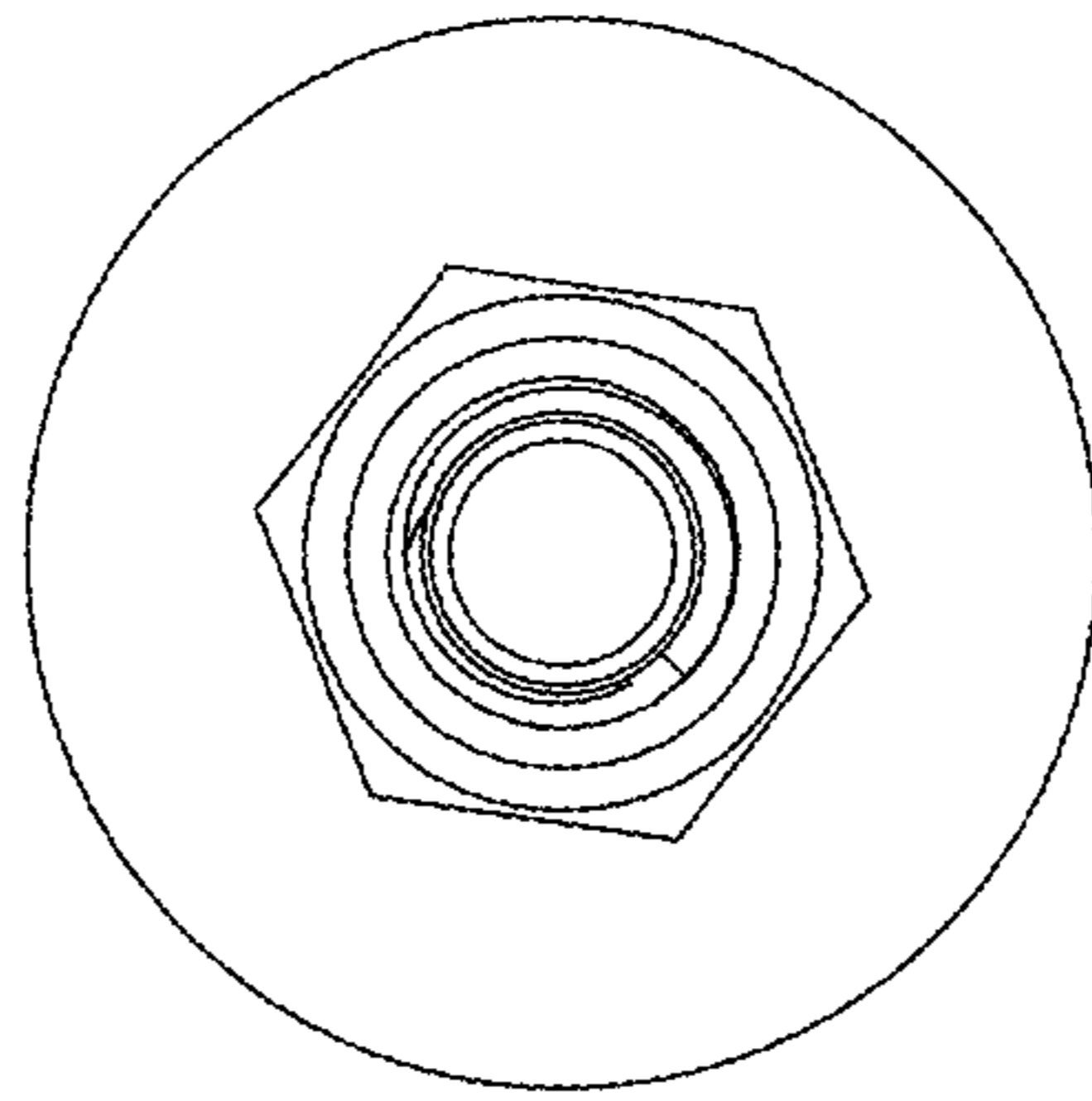


FIG. 5

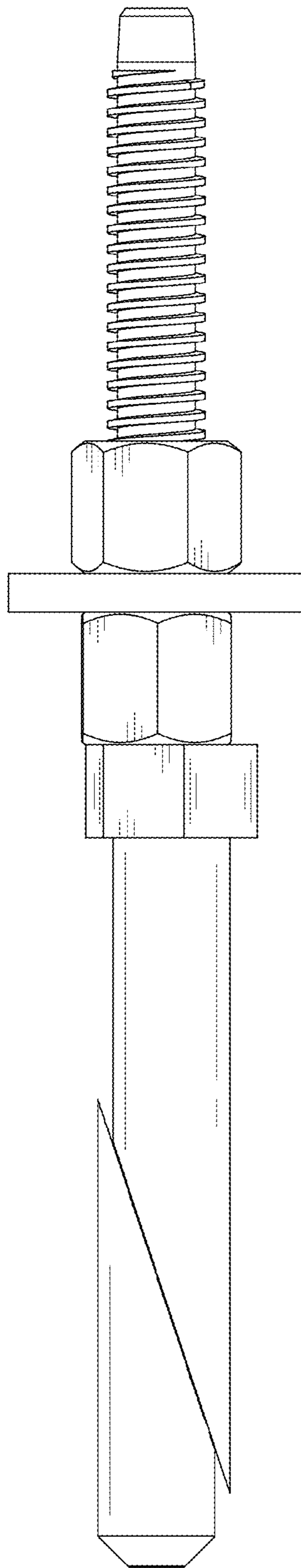


FIG. 6



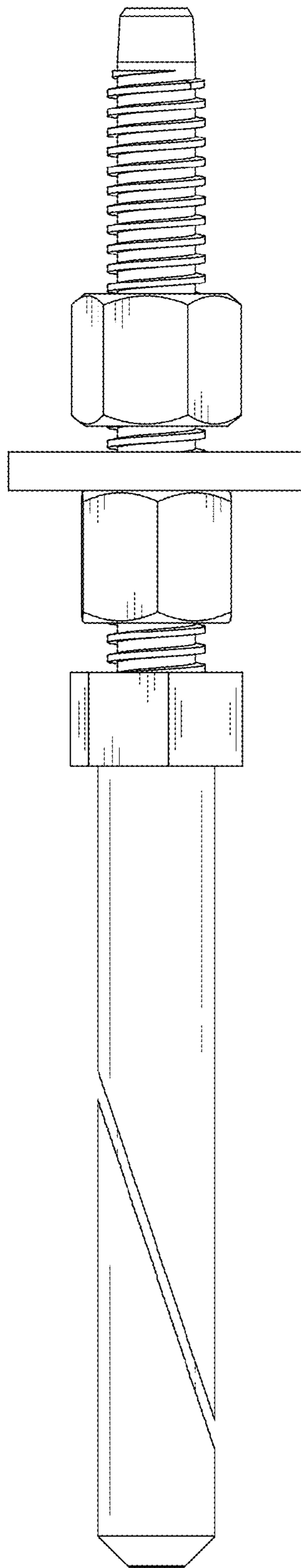


FIG. 7