



US00D926024S

(12) **United States Design Patent**
Willows

(10) **Patent No.:** **US D926,024 S**

(45) **Date of Patent:** **** Jul. 27, 2021**

(54) **SLIDING DOOR TOP RAIL**

(71) Applicant: **Goldfinch Brothers Inc.**, Everett, WA (US)

(72) Inventor: **Kurt D. Willows**, Everett, WA (US)

(73) Assignee: **Goldfinch Brothers Inc.**, Everett, WA (US)

(**) Term: **15 Years**

(21) Appl. No.: **29/644,655**

(22) Filed: **Apr. 19, 2018**

(51) **LOC (13) Cl.** **08-05**

(52) **U.S. Cl.**
USPC **D8/377**

(58) **Field of Classification Search**
USPC D8/377, 366, 363, 376; D25/38.1, 121
CPC E05Y 2201/684; E05Y 2201/614; E05D
15/0652; Y10T 16/379
See application file for complete search history.

(56) **References Cited**

U.S. PATENT DOCUMENTS

5,877,905	A *	3/1999	Schwartz	G02B 7/183 248/466
7,275,646	B2 *	10/2007	Mimlitch, III	H05K 7/186 211/26
D575,128	S *	8/2008	Clampitt, Jr.	D8/82
D695,599	S *	12/2013	Rechberg	D8/377
D733,531	S *	7/2015	Tonthat	D8/354
9,456,520	B1 *	9/2016	Wilson	A47B 47/027

D782,699	S *	3/2017	Carroll	D25/48.2
9,924,611	B2 *	3/2018	Tonthat	H05K 7/1489
D822,372	S *	7/2018	Deaton	D3/18
2010/0243586	A1 *	9/2010	Henderson	H05K 7/1489 211/26.2
2015/0084494	A1 *	3/2015	Tonthat	A47B 88/43 312/333
2016/0338217	A1 *	11/2016	Tonthat	H05K 7/1489
2017/0094827	A1 *	3/2017	Wilson	H05K 7/183

* cited by examiner

Primary Examiner — Eliza Z Bennett-Hattan

(74) *Attorney, Agent, or Firm* — Seed Intellectual Property Law Group LLP

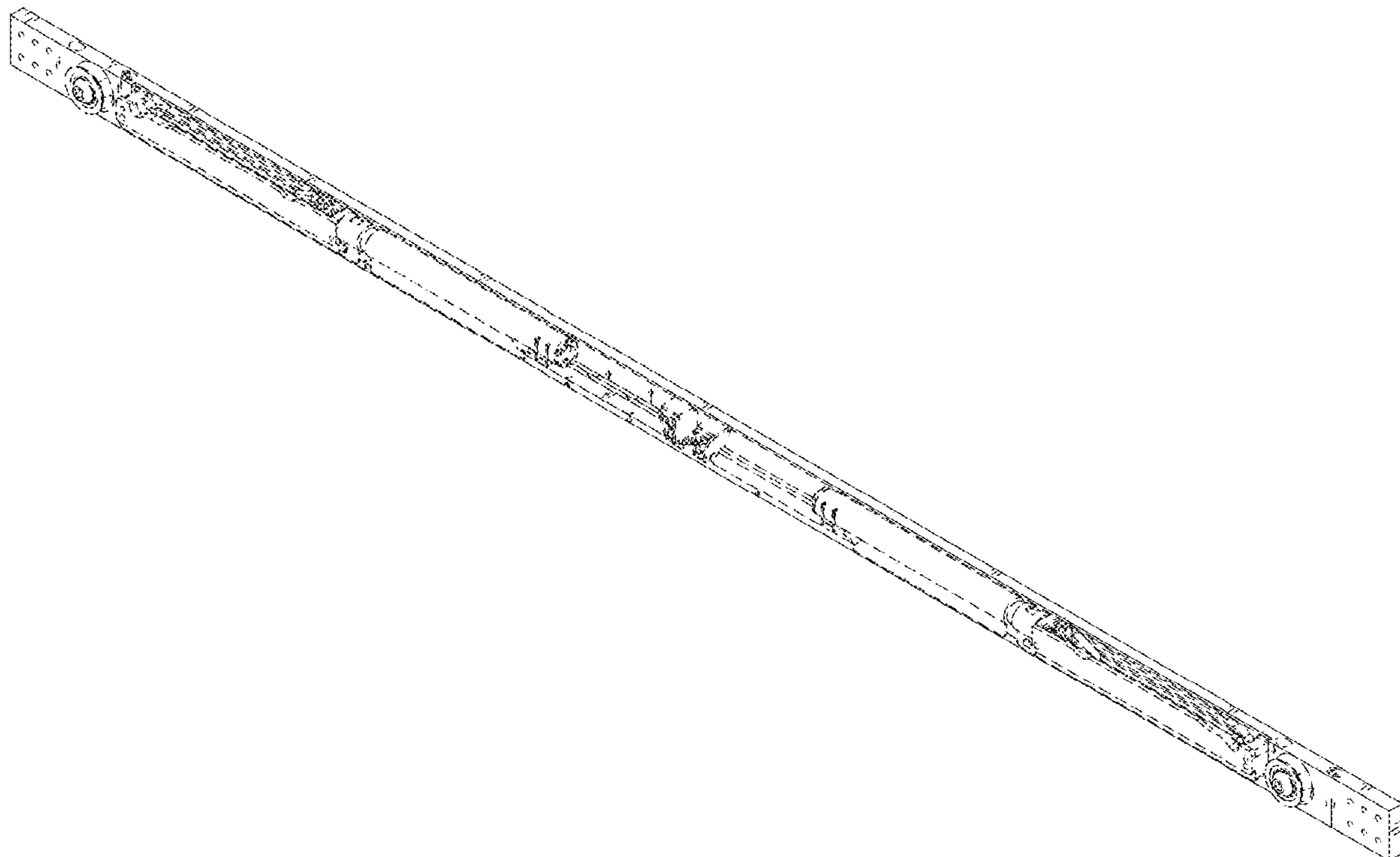
(57) **CLAIM**

The ornamental design for a sliding door top rail, as shown and described.

DESCRIPTION

FIG. 1 is an axonometric top, front, right view of my new design.
FIG. 2 is an axonometric top, rear, right view of my new design.
FIG. 3 is a front elevational view thereof.
FIG. 4 is a rear elevational view thereof.
FIG. 5 is a left side elevational view thereof.
FIG. 6 is a right side elevational view thereof.
FIG. 7 is a top plan view thereof; and,
FIG. 8 is a bottom plan view thereof.
The broken lines in the figures represent features of the article of manufacture that form no part of the claimed design.

1 Claim, 5 Drawing Sheets



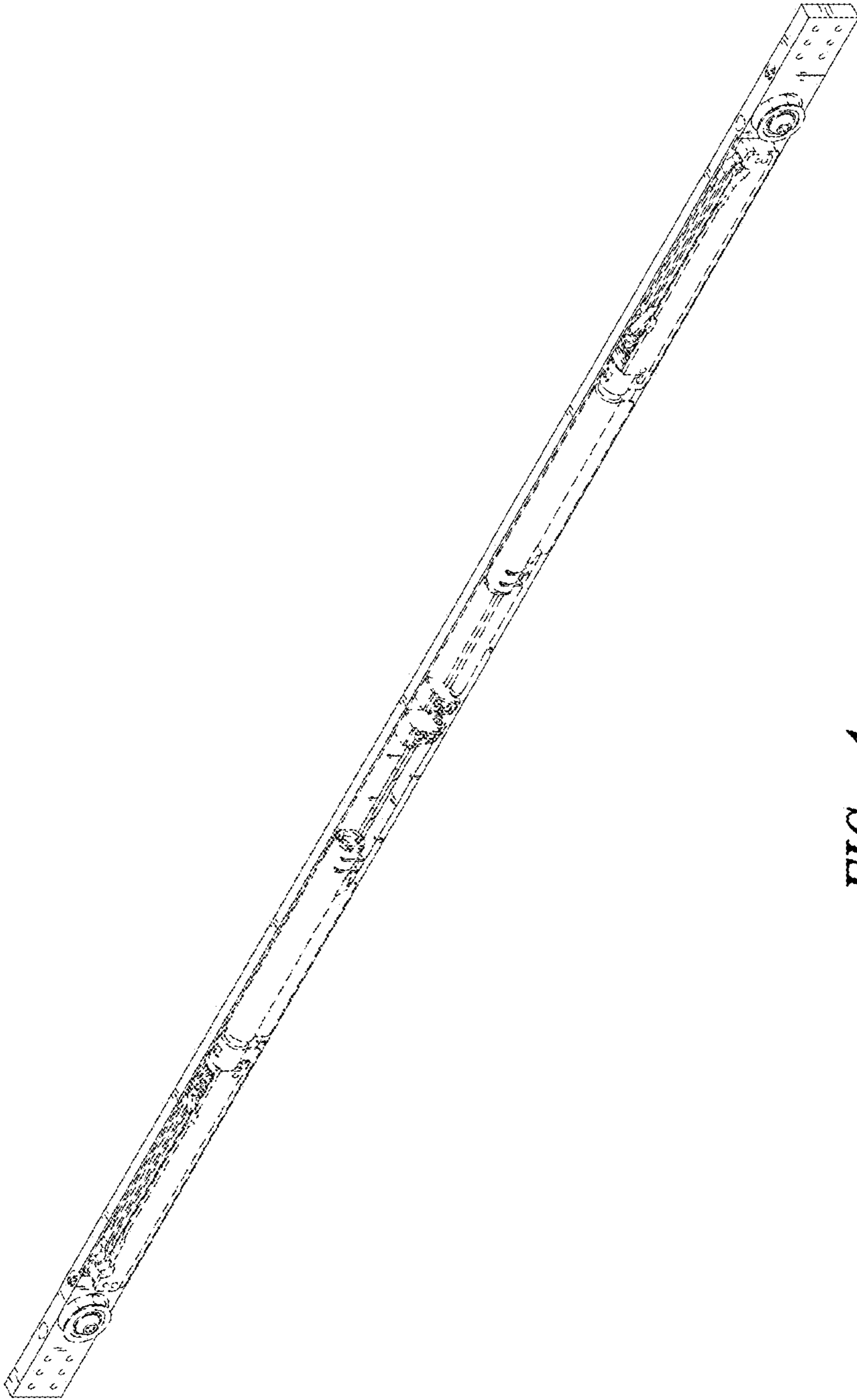


FIG. 1

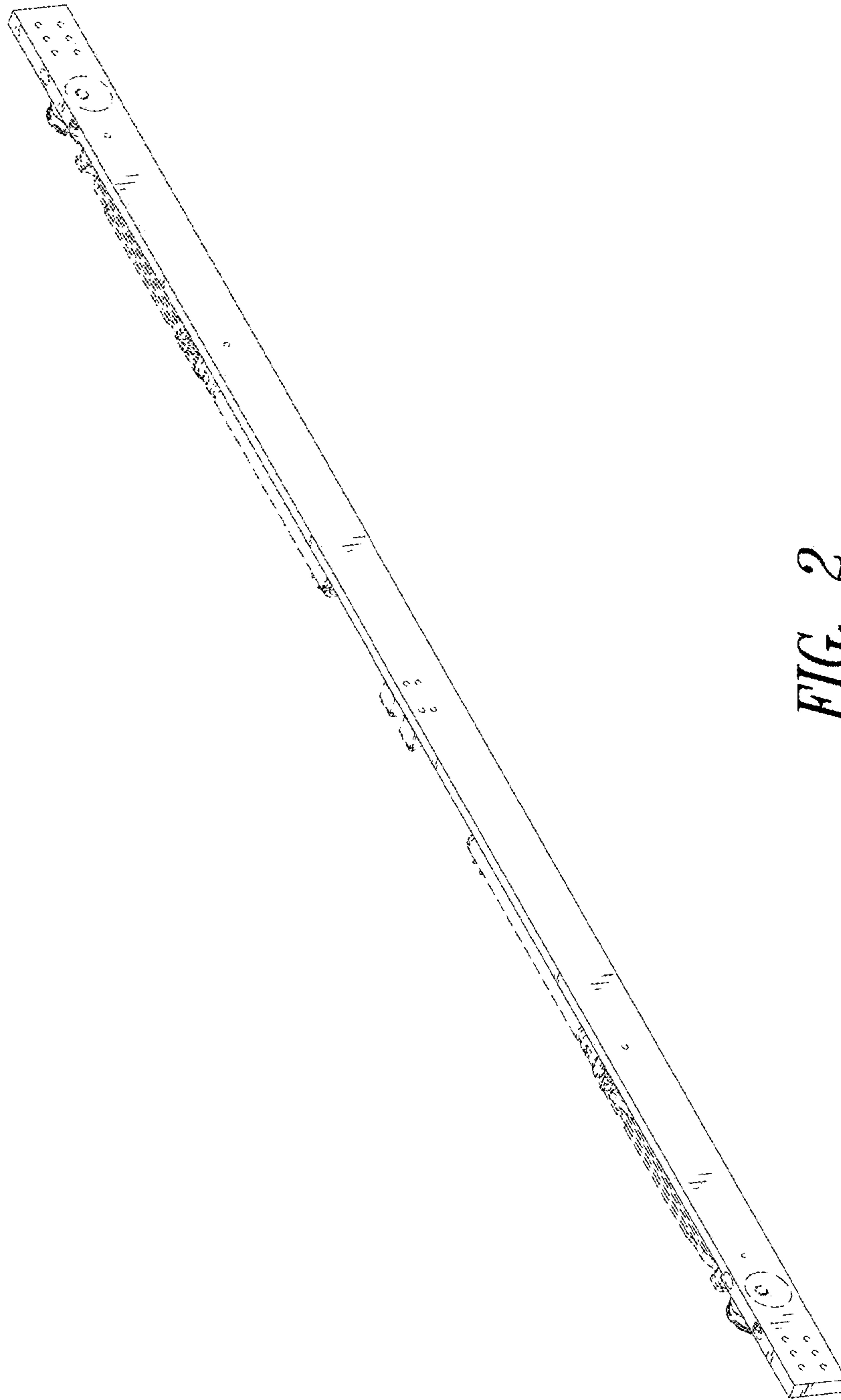


FIG. 2



FIG. 3

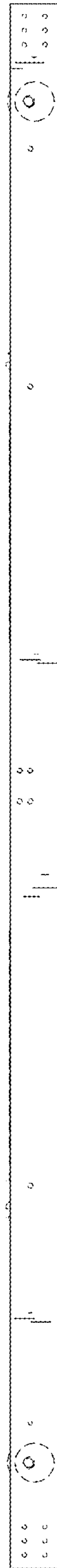


FIG. 4



FIG. 6



FIG. 5

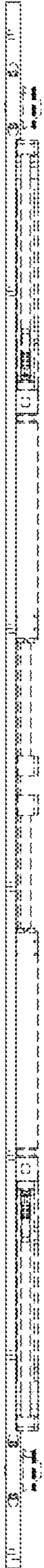


FIG. 7

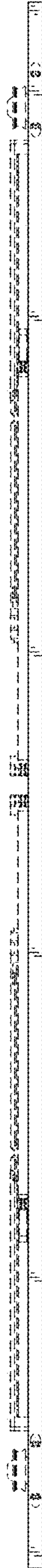


FIG. 8