



US00D926022S

(12) **United States Design Patent**  
**Luhrmann**

(10) **Patent No.: US D926,022 S**

(45) **Date of Patent: \*\* \*Jul. 27, 2021**

- (54) **WEIGHT FOR SUBMERGED TUBING**
- (71) Applicant: **Craig J. Luhrmann**, Los Gatos, CA  
(US)
- (72) Inventor: **Craig J. Luhrmann**, Los Gatos, CA  
(US)
- (\*) Notice: This patent is subject to a terminal disclaimer.
- (\*\*) Term: **15 Years**
- (21) Appl. No.: **29/663,089**
- (22) Filed: **Sep. 12, 2018**
- (51) **LOC (13) Cl.** ..... **09-06**
- (52) **U.S. Cl.**  
USPC ..... **D8/356; D8/380**
- (58) **Field of Classification Search**  
USPC ..... D8/367, 356, 354, 349, 105, 380;  
24/599.9  
CPC ..... B65H 57/16; B63B 21/045; F16B 45/02  
See application file for complete search history.

6,086,056 A	7/2000	Leask et al.	
D430,005 S *	8/2000	Stearns	D8/380
D436,399 S *	1/2001	Poland	D23/322
D436,522 S *	1/2001	Neider	D8/380
6,431,500 B1 *	8/2002	Jacobs	F16L 3/13 24/129 R
6,511,054 B1	1/2003	Green	
D490,692 S *	6/2004	Williams	D8/356
D498,136 S *	11/2004	Parker	D8/323
D521,851 S *	5/2006	Smart	D8/354
7,708,259 B2	5/2010	James	
D618,985 S *	7/2010	Sjoqvist	D8/356
D629,286 S *	12/2010	Laskowski	D8/356
7,934,704 B2	5/2011	Tharp	
8,132,794 B2	3/2012	Hinde	
8,348,247 B2	1/2013	Hinde	
D685,624 S *	7/2013	Van Der Blom	D8/356
D693,731 S *	11/2013	Dunn	D11/184
8,622,371 B1	1/2014	Alenzi	
8,678,358 B1	3/2014	Alenzi	
D704,535 S *	5/2014	Burda	D8/356
D713,947 S *	9/2014	Jensen	D23/322
D715,623 S *	10/2014	Holtby	D8/356

(Continued)

*Primary Examiner* — Cynthia R Underwood  
(74) *Attorney, Agent, or Firm* — Cramer Patent & Design  
PLLC; Aaron R. Cramer

(56) **References Cited**

U.S. PATENT DOCUMENTS

2,905,743 A *	9/1959	Sylvester	H01B 17/16 174/73.1
3,293,861 A	12/1966	Hinde	
4,114,241 A *	9/1978	Bisping	F16L 3/13 403/188
4,403,759 A *	9/1983	Hicks	F16L 3/18 248/55
4,722,500 A *	2/1988	Bray	F16L 3/00 138/106
D321,471 S *	11/1991	Stumpf	D8/381
D368,932 S *	4/1996	Mussalo	D19/100
D399,727 S *	10/1998	Richter	D8/380
5,884,695 A *	3/1999	Brownlee	F22B 37/107 122/DIG. 13

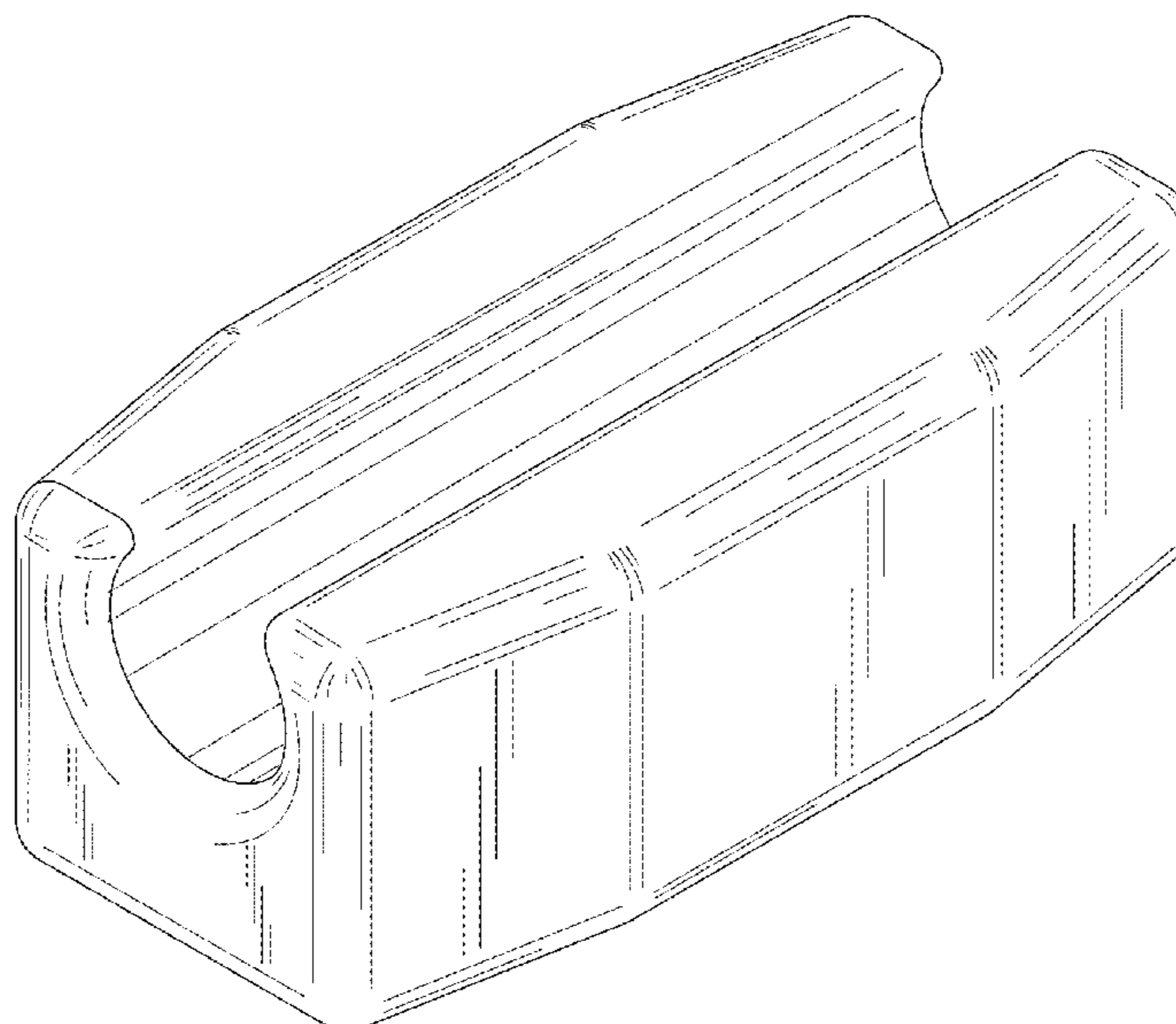
(57) **CLAIM**

The ornamental design for a weight for submerged tubing, as shown and described.

**DESCRIPTION**

FIG. 1 is a perspective top front left view of a weight for submerged tubing, showing my new design; FIG. 2 is a front elevation view thereof, wherein the rear elevation view is an identical image thereof; FIG. 3 is a left elevation view thereof, wherein the right elevation view is an identical view thereof; FIG. 4 is a top plan view thereof; and, FIG. 5 is a bottom plan view thereof.

**1 Claim, 5 Drawing Sheets**



(56)

**References Cited**

U.S. PATENT DOCUMENTS

8,910,803	B2 *	12/2014	Holtby	.....	F16L 1/0246 211/70.4
D738,711	S *	9/2015	Tally	.....	D8/380
D741,151	S *	10/2015	Iseminger	.....	D8/356
D758,834	S *	6/2016	Tally	.....	D8/380
D767,796	S *	9/2016	Kinsman	.....	D25/133
D779,585	S *	2/2017	Dedrick	.....	D17/20
D793,213	S *	8/2017	Heymann	.....	D8/380
D824,749	S *	8/2018	Wright	.....	D8/354
D837,638	S *	1/2019	Sargent	.....	D8/380
D856,119	S *	8/2019	McGugan	.....	D8/356
2006/0131469	A1 *	6/2006	Roy	.....	F16L 3/02 248/346.03
2008/0054143	A1 *	3/2008	Collins	.....	F16L 3/02 248/227.2
2008/0121763	A1 *	5/2008	Mori	.....	H02G 3/32 248/68.1
2016/0221715	A1 *	8/2016	Pratt	.....	B65D 19/44

\* cited by examiner

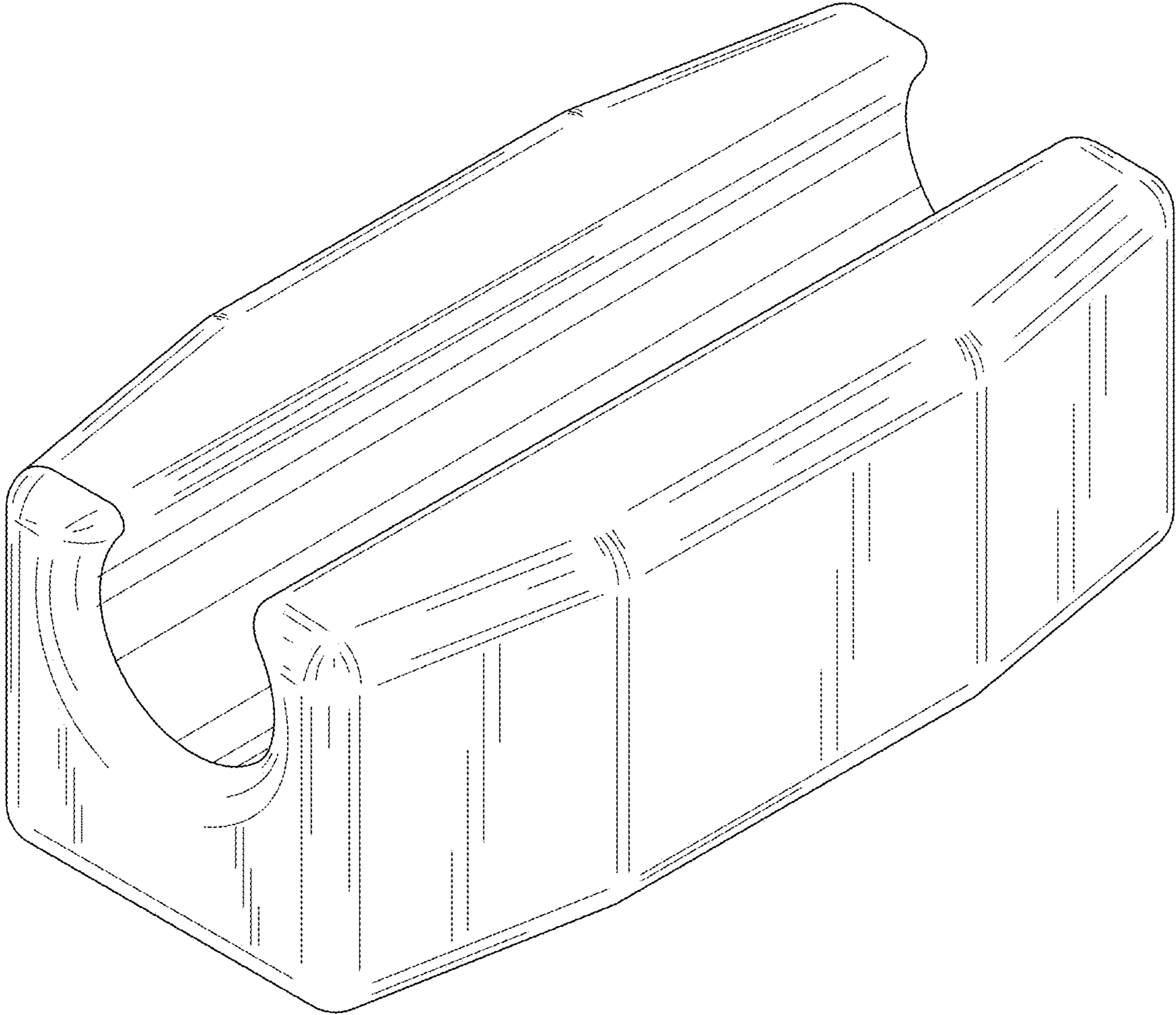


FIG. 1

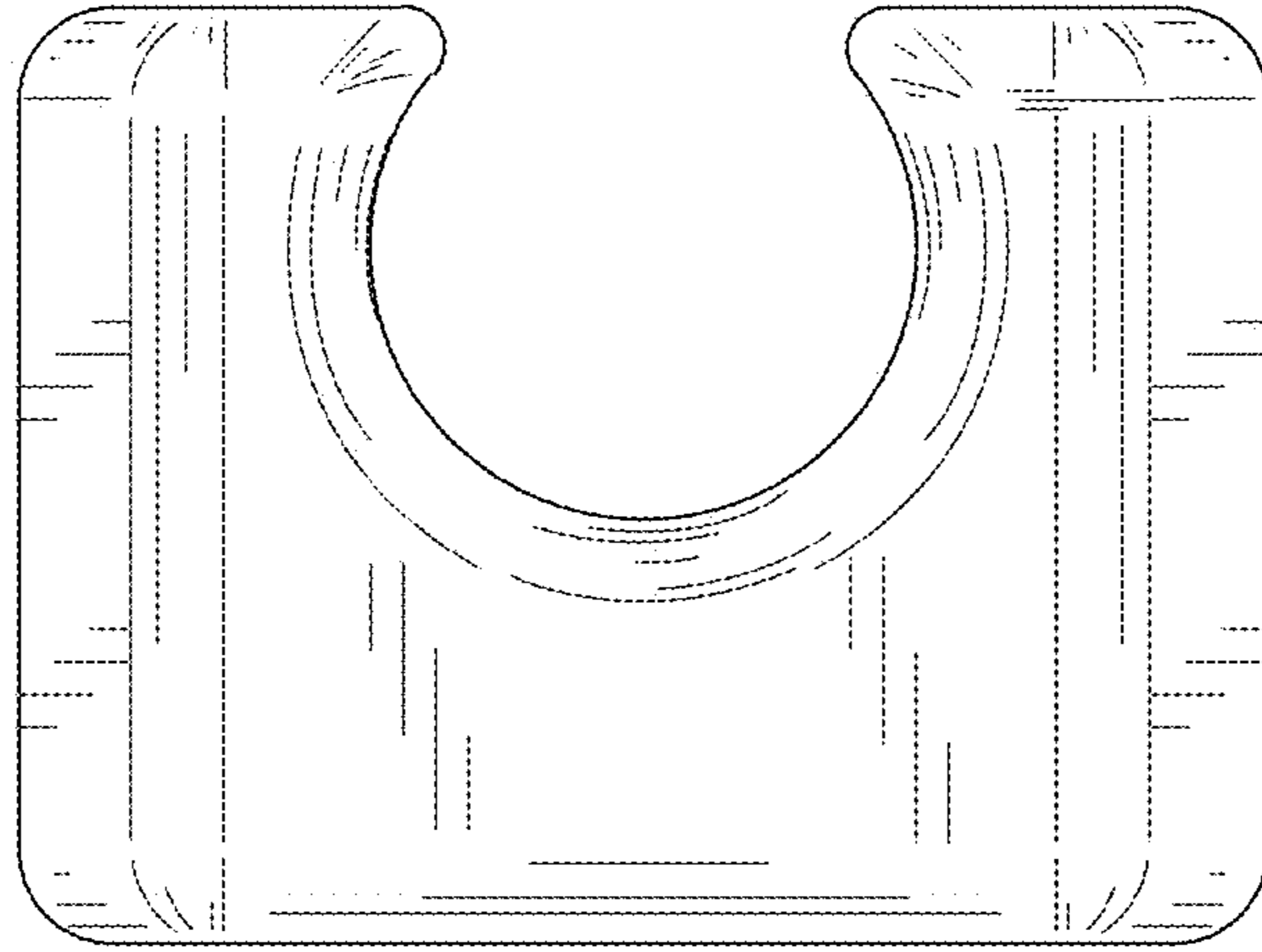


FIG. 2

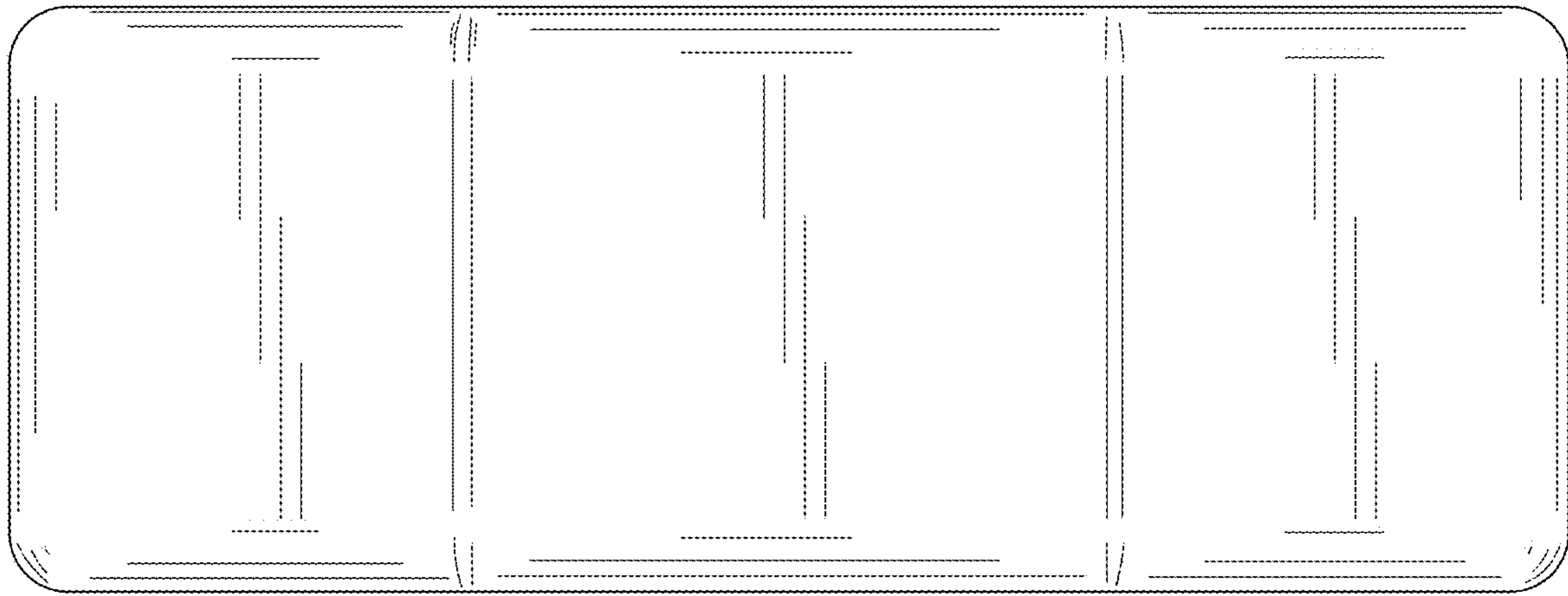


FIG. 3

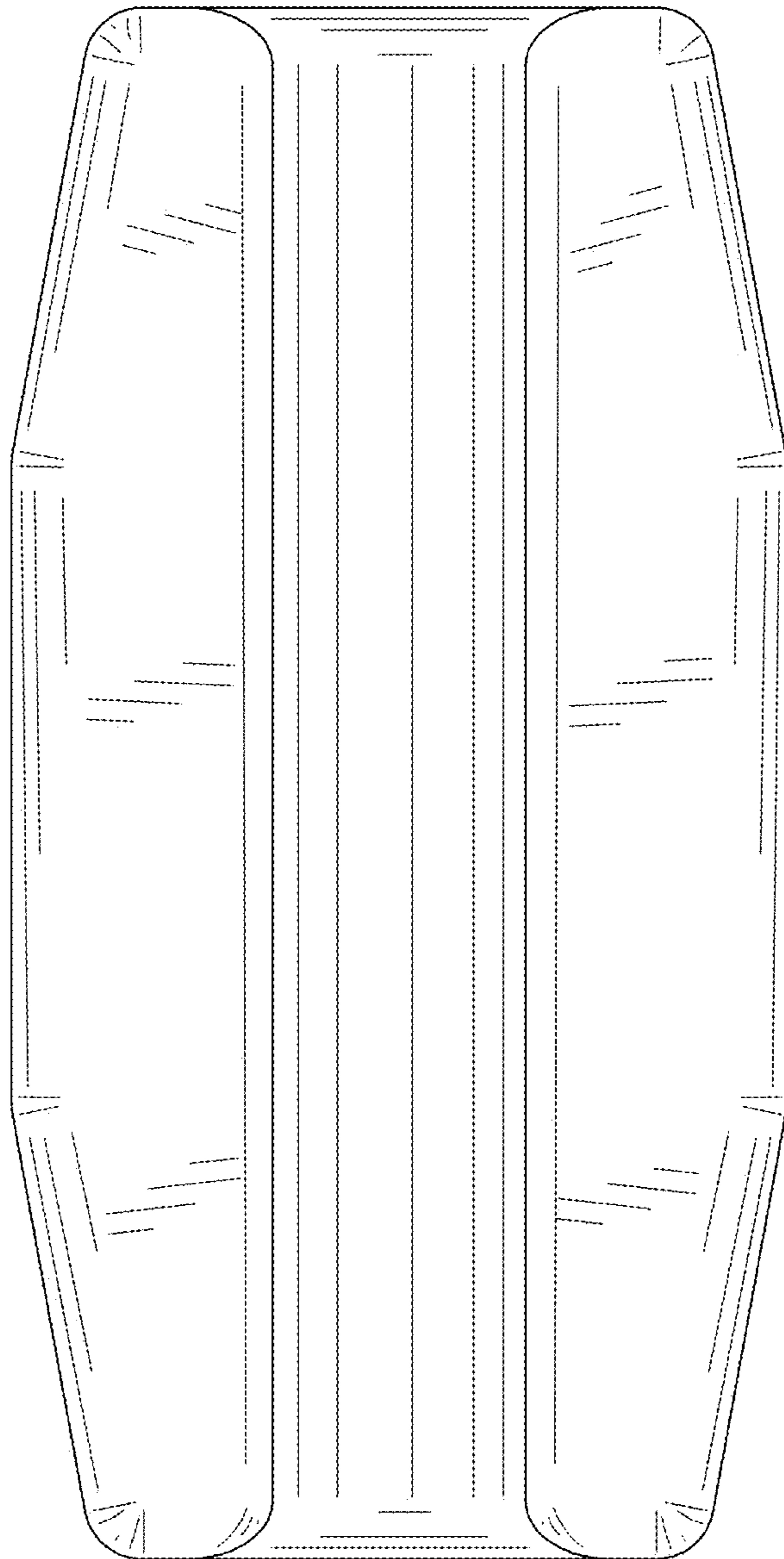


FIG. 4



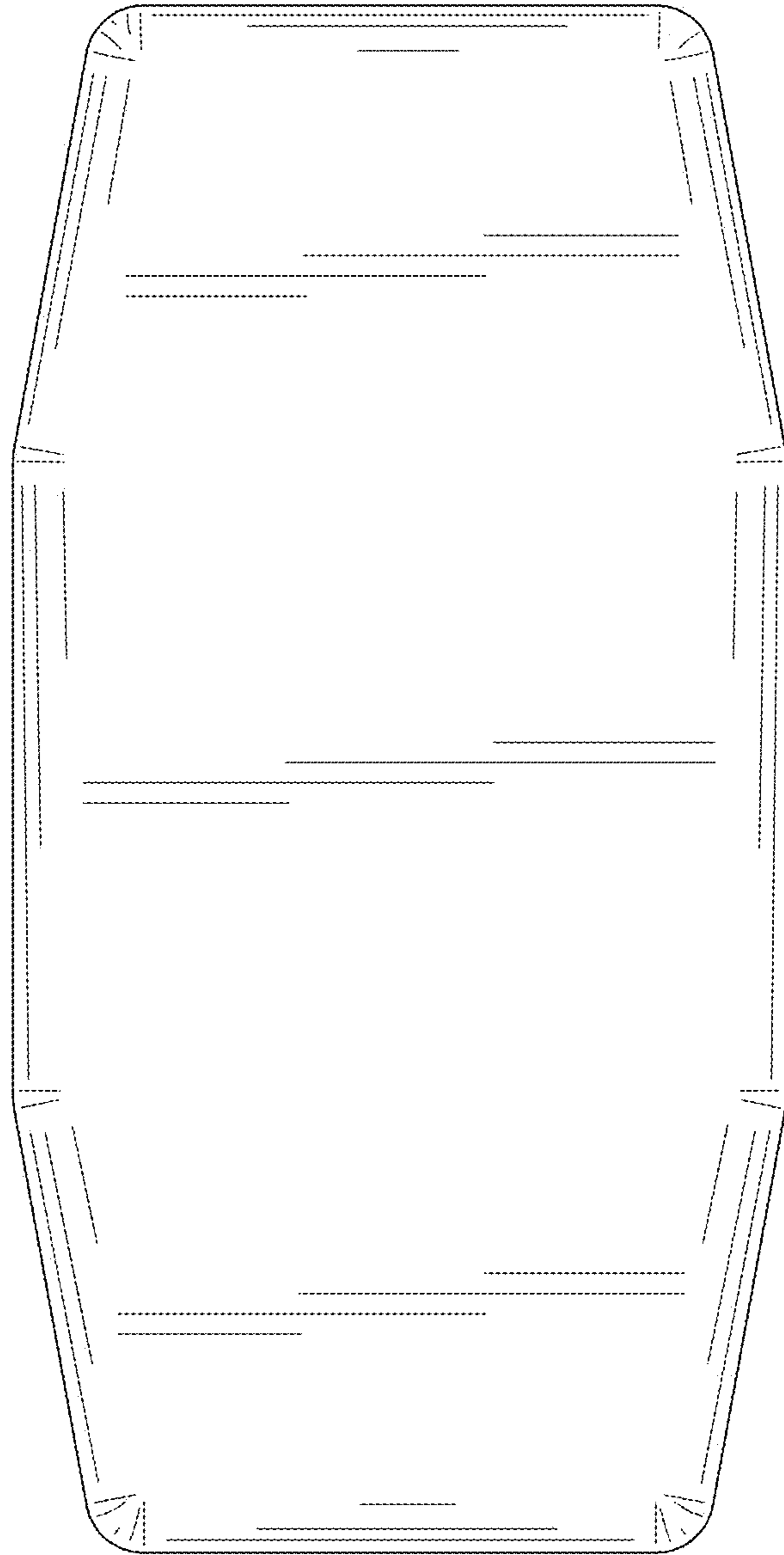


FIG. 5