



US00D926021S

(12) **United States Design Patent** (10) **Patent No.:** **US D926,021 S**
Joo et al. (45) **Date of Patent:** **** Jul. 27, 2021**

(54) **BASKET BODY FOR A WALL WITH BUILT-IN HOME APPLIANCES**

(71) Applicant: **LG ELECTRONICS INC.**, Seoul (KR)

(72) Inventors: **Junghyun Joo**, Seoul (KR); **Junghan Ryu**, Seoul (KR); **Yunjoo Kim**, Seoul (KR); **Taeho Kim**, Seoul (KR); **Kisang Jung**, Seoul (KR); **Hwasuk Shim**, Seoul (KR); **Youngkyoung Kim**, Seoul (KR); **Jipyo Hong**, Seoul (KR); **Chulmin Lim**, Seoul (KR); **Bumsang Lee**, Seoul (KR); **Mijin Jung**, Seoul (KR); **Jaemyo Shim**, Seoul (KR); **Junki Kim**, Seoul (KR)

(73) Assignee: **LG Electronics Inc.**, Seoul (KR)

(**) Term: **15 Years**

(21) Appl. No.: **29/732,719**

(22) Filed: **Apr. 27, 2020**

(30) **Foreign Application Priority Data**

Oct. 28, 2019 (KR) 30-2019-0051136

(51) **LOC (13) Cl.** **08-08**

(52) **U.S. Cl.**
USPC **D8/349; D8/327**

(58) **Field of Classification Search**
USPC D8/327, 349, 354, 366, 382; D23/259, D23/262, 267

(Continued)

(56) **References Cited**

U.S. PATENT DOCUMENTS

3,107,390 A * 10/1963 Shelton E06B 11/04
16/224
5,265,954 A * 11/1993 Keil E05D 11/00
16/358

(Continued)

Primary Examiner — Mark A Goodwin

Assistant Examiner — Benjamin M Weeks

(74) *Attorney, Agent, or Firm* — Birch, Stewart, Kolasch & Birch, LLP

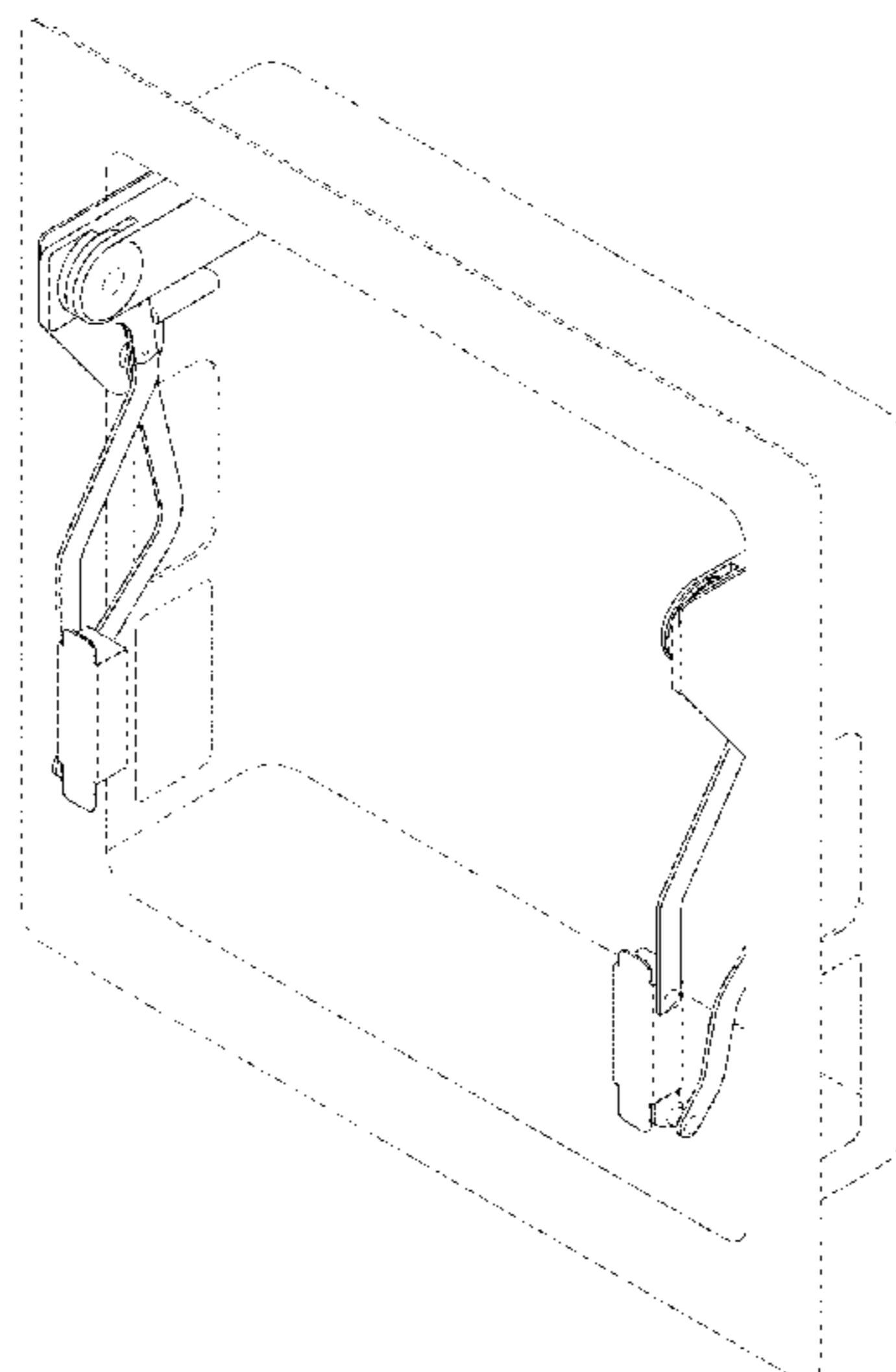
(57) **CLAIM**

The ornamental design for a basket body for a wall with built-in home appliances, as shown and described.

DESCRIPTION

FIG. 1 is a front perspective view of the basket body for a wall with built-in home appliances showing our new design; FIG. 2 is a front view thereof; FIG. 3 is a rear view thereof; FIG. 4 is a left side view thereof where the right side view is a mirror image; FIG. 5 is a top plan view thereof; FIG. 6 is a bottom plan view thereof; FIG. 7 is a reference view showing the state of use that the hinges in internal both sides which attached the door for basket have not been lifted; FIG. 8 is a front perspective view in a condition that the hinges have been lifted; FIG. 9 is a front view of FIG. 8; FIG. 10 is a rear view of FIG. 8; FIG. 11 is a left side view of FIG. 8 where the right view is a mirror image; FIG. 12 is a top plan view of FIG. 8; FIG. 13 is a bottom plan view of FIG. 8; and, FIG. 14 is a reference view showing the state of use that the hinges in internal both sides which attached the door for basket have been lifted. The broken lines depict portions of the basket body for a wall with built-in home appliances that form no part of the claimed design.

1 Claim, 14 Drawing Sheets



(58) **Field of Classification Search**

CPC E05D 1/04; E05D 11/1014; E05D 11/00;
E05D 15/242; E05B 73/007; E05B 65/50;
E05C 17/365; E05C 17/36; E05C 17/025;
B21D 53/40; F16M 13/02

See application file for complete search history.

(56) **References Cited**

U.S. PATENT DOCUMENTS

6,371,581	B1 *	4/2002	Ring	G07F 9/10 312/138.1
6,877,695	B2 *	4/2005	Eveker	B64C 1/14 244/129.5
D508,917	S *	8/2005	Wills	D14/452
D557,104	S *	12/2007	Forgeon	D8/327
7,814,621	B1 *	10/2010	Radke	E05D 11/1014 16/335
D637,060	S *	5/2011	Mitchell	D8/323
9,222,293	B2 *	12/2015	Jenkinson	E05D 7/0027
D761,076	S *	7/2016	Schweiss	D8/323
D761,078	S *	7/2016	Schweiss	D8/323
9,383,135	B2 *	7/2016	Park	F25D 25/028
9,816,303	B2 *	11/2017	Lee	E05D 5/0276
D814,903	S *	4/2018	Schweiss	D8/323
10,711,496	B2 *	7/2020	He	E05D 3/12
10,830,525	B2 *	11/2020	Lottinville	E05D 5/128

* cited by examiner

FIG. 1

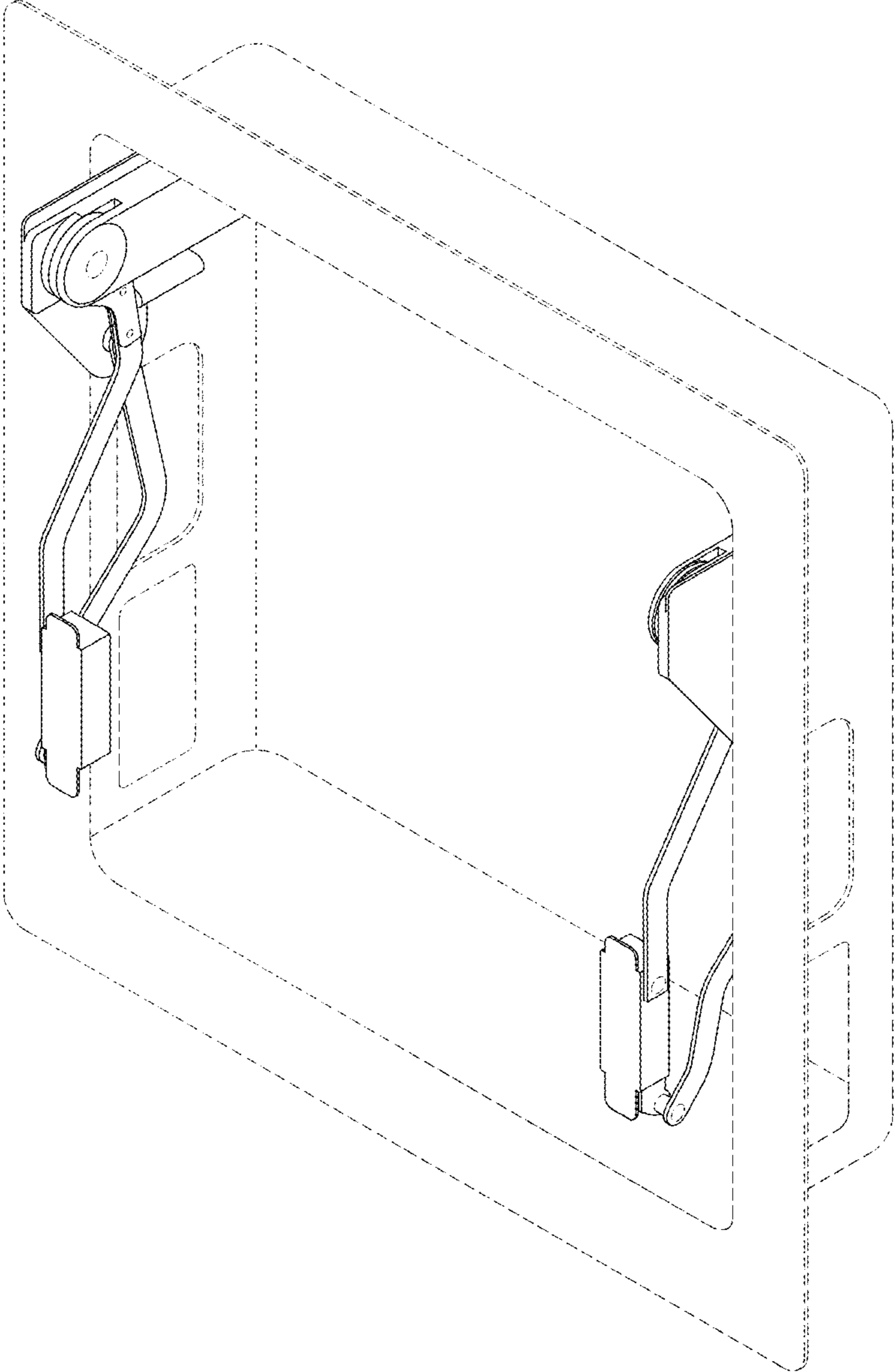


FIG. 2

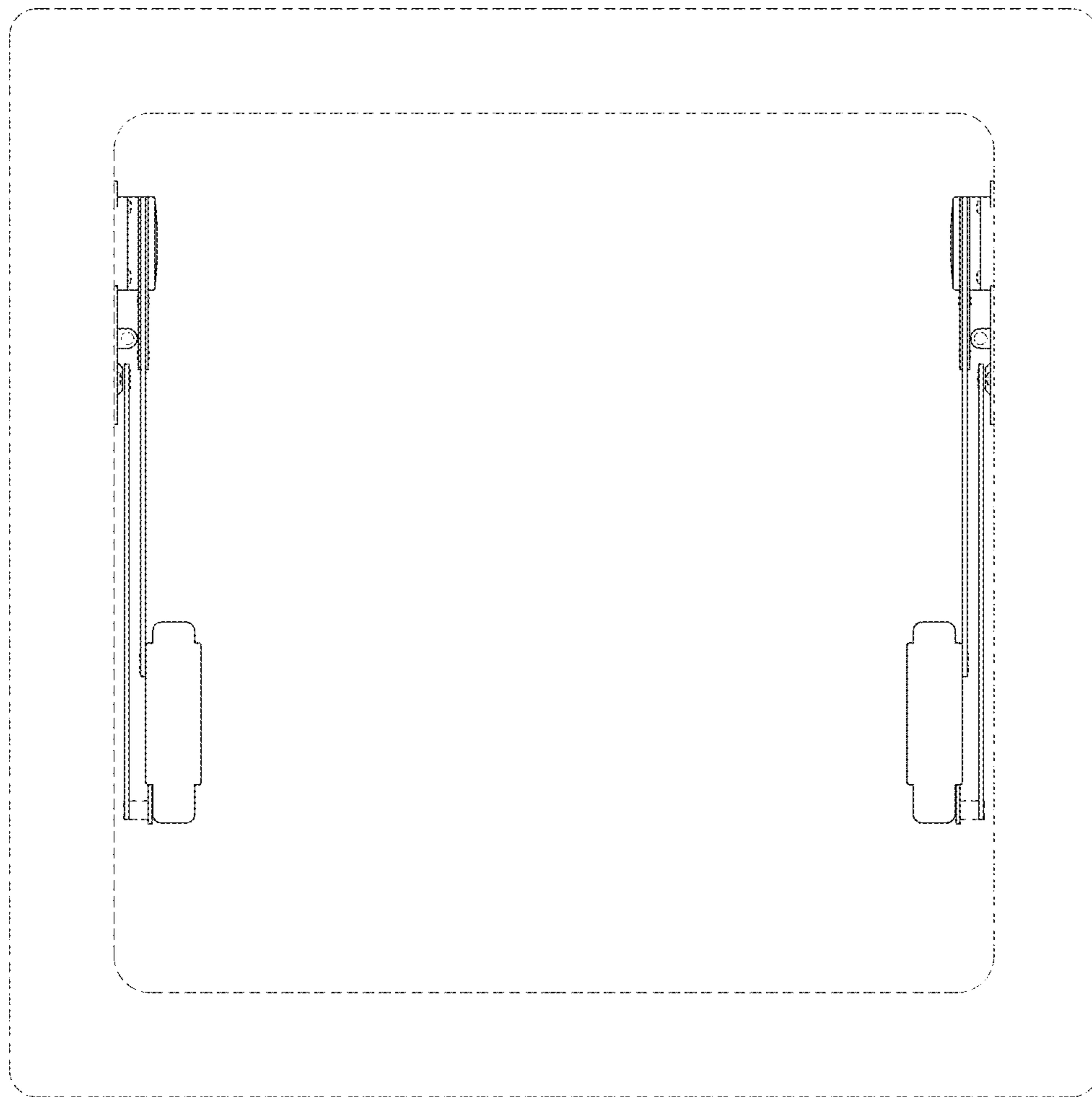


FIG. 3

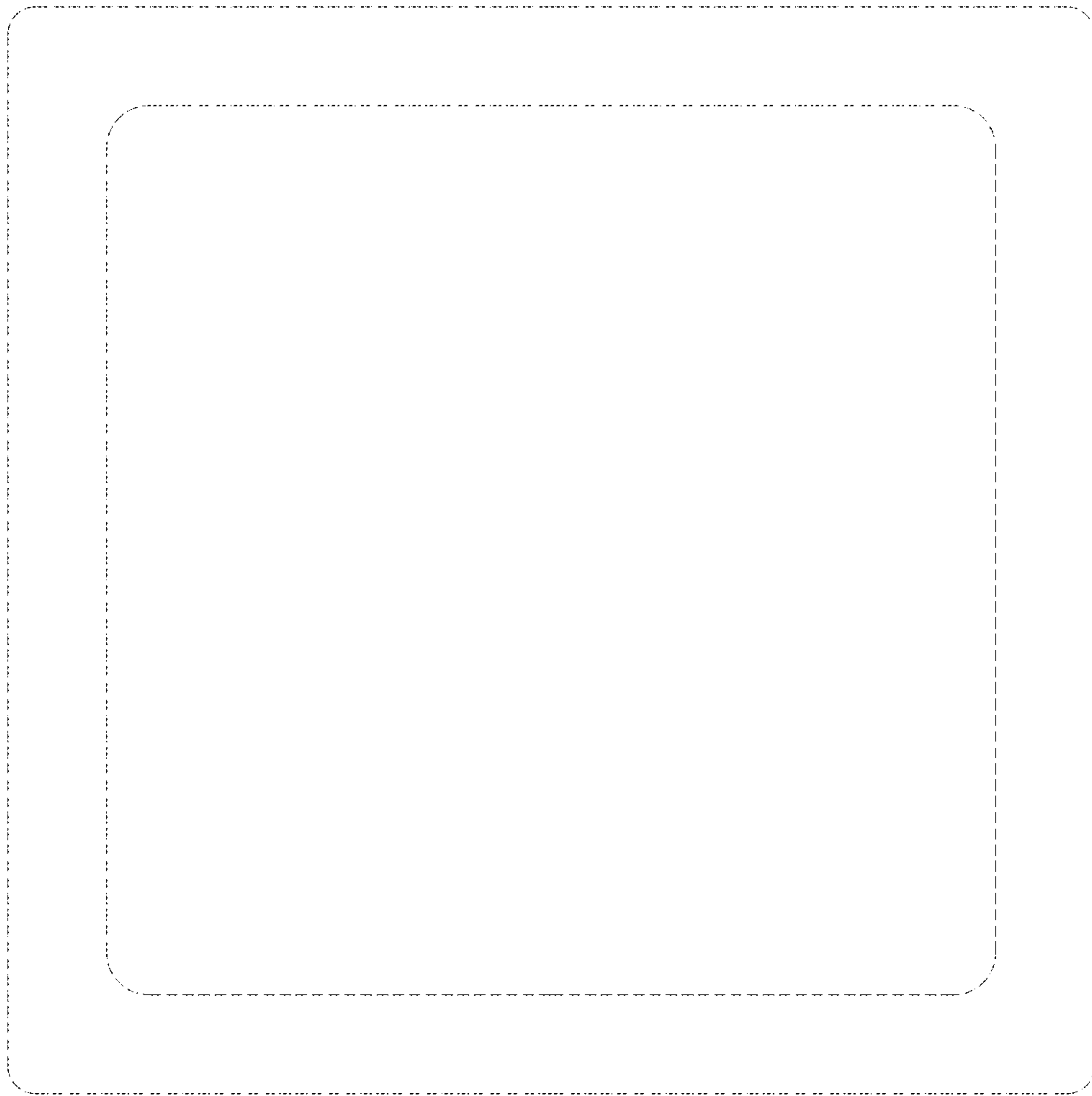


FIG. 4

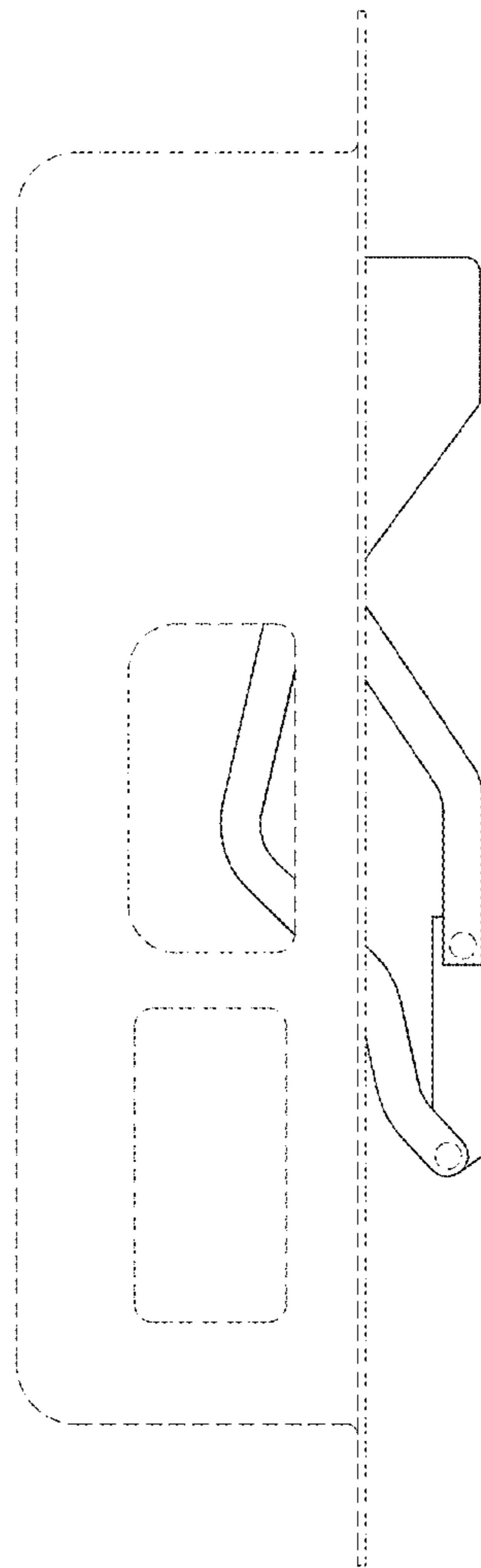


FIG. 5

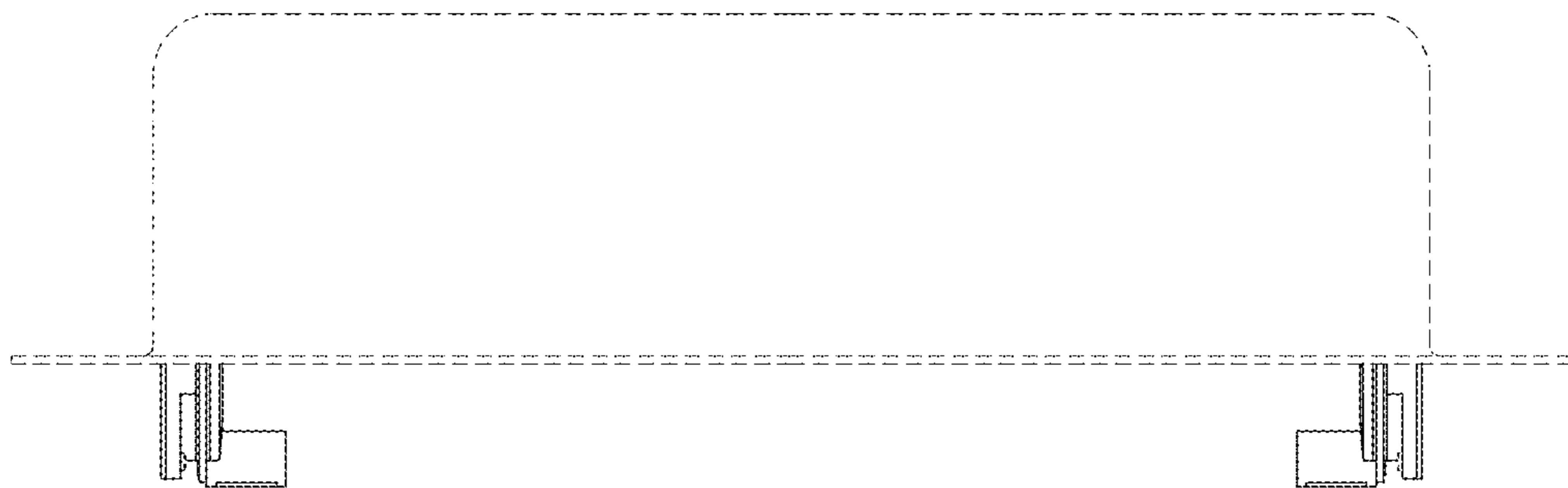


FIG. 6

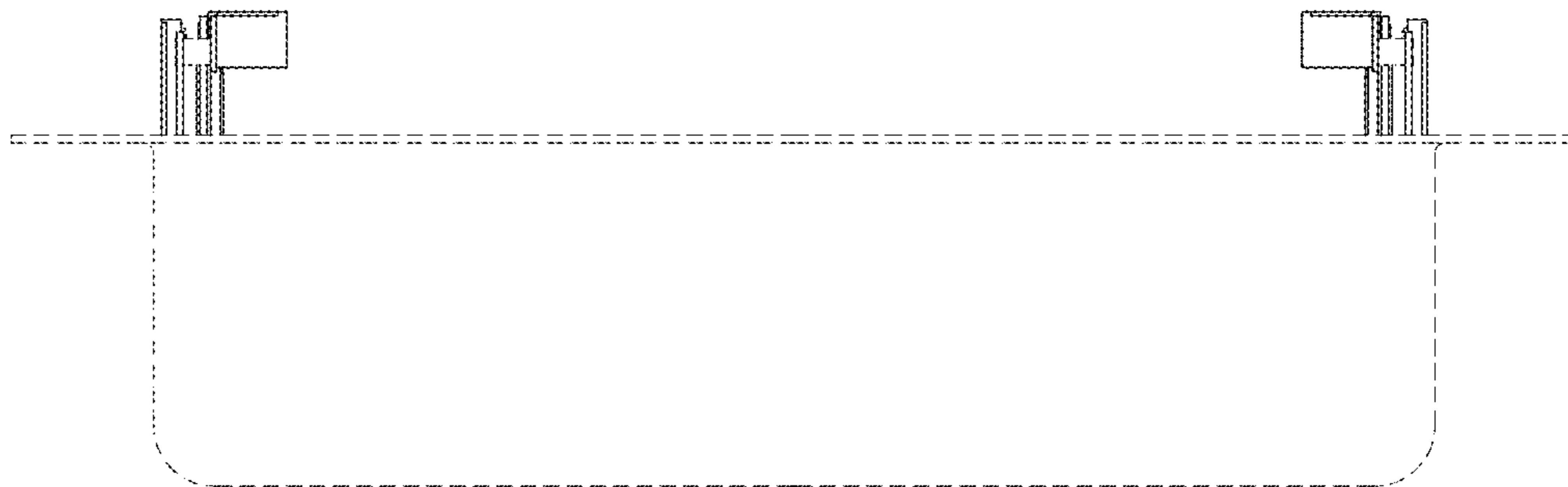


FIG. 7

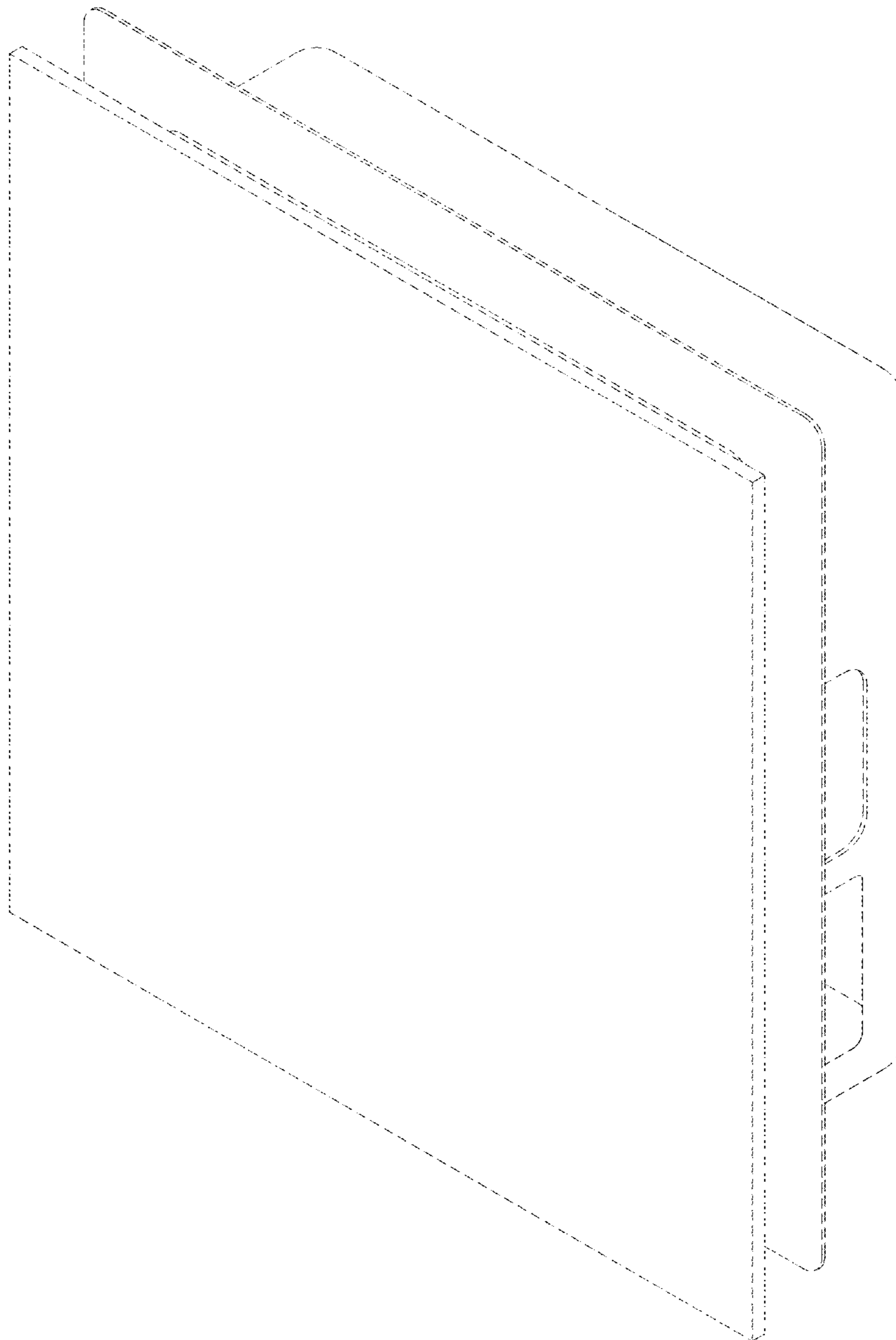


FIG. 8

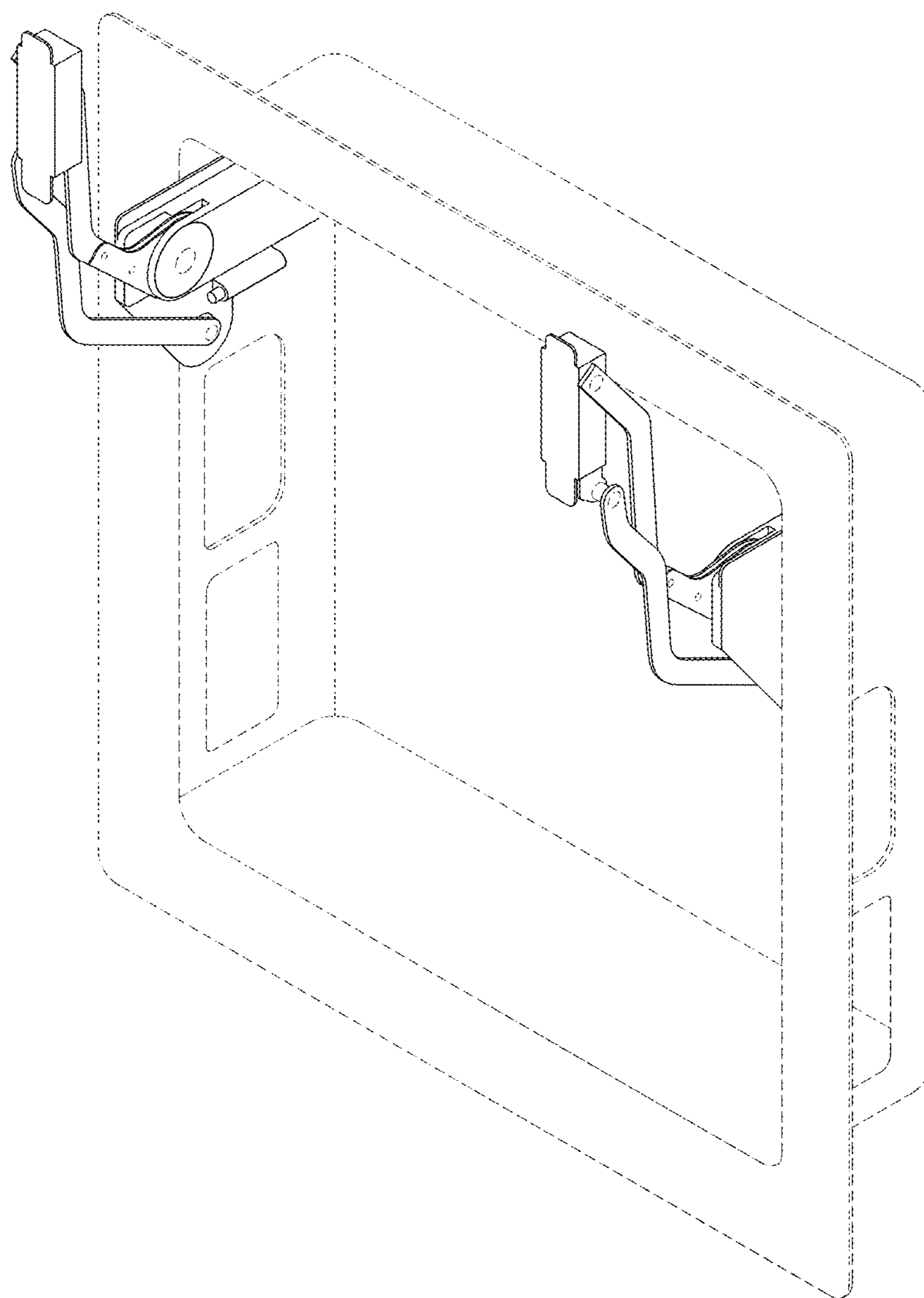


FIG. 9

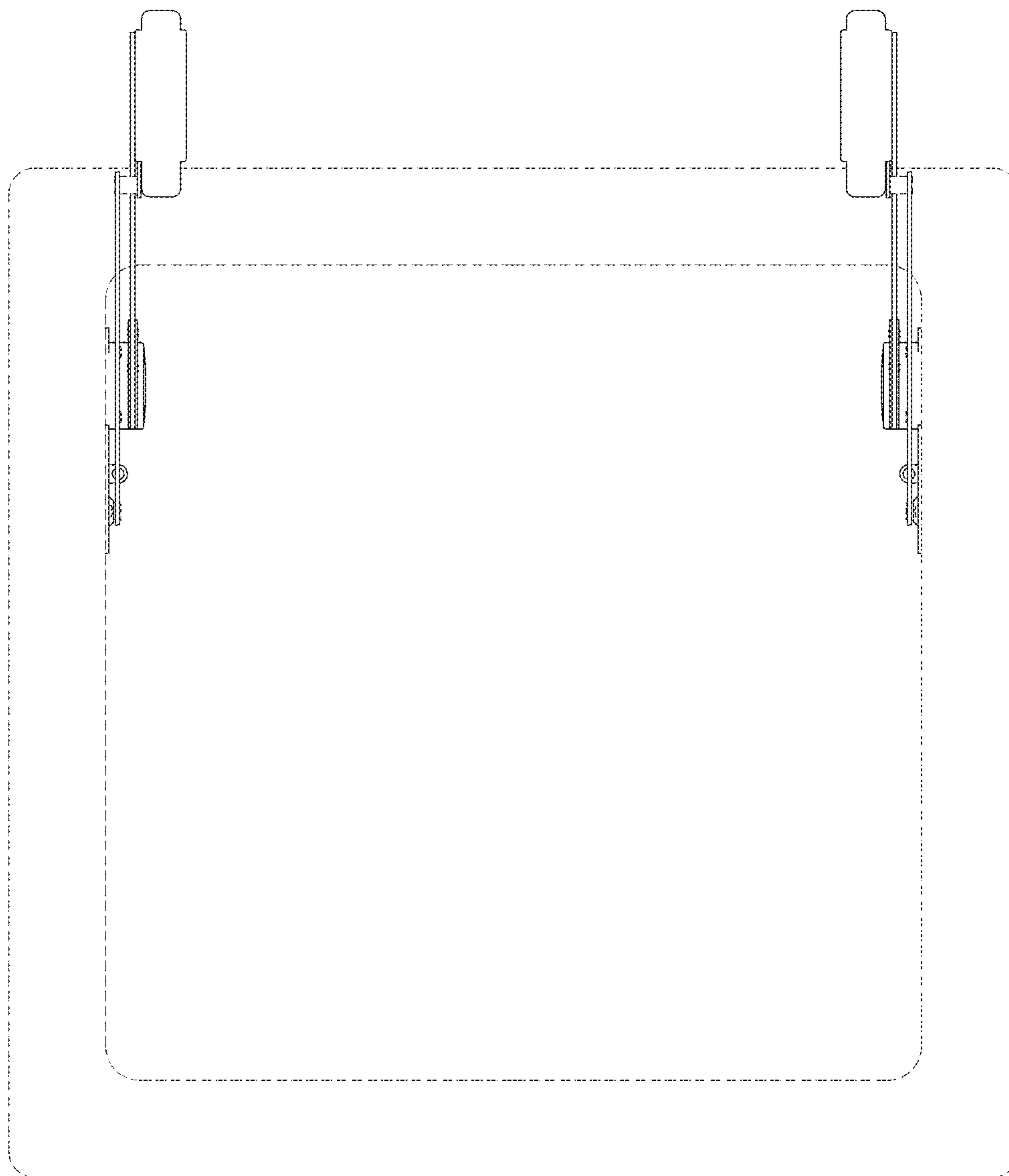


FIG. 10

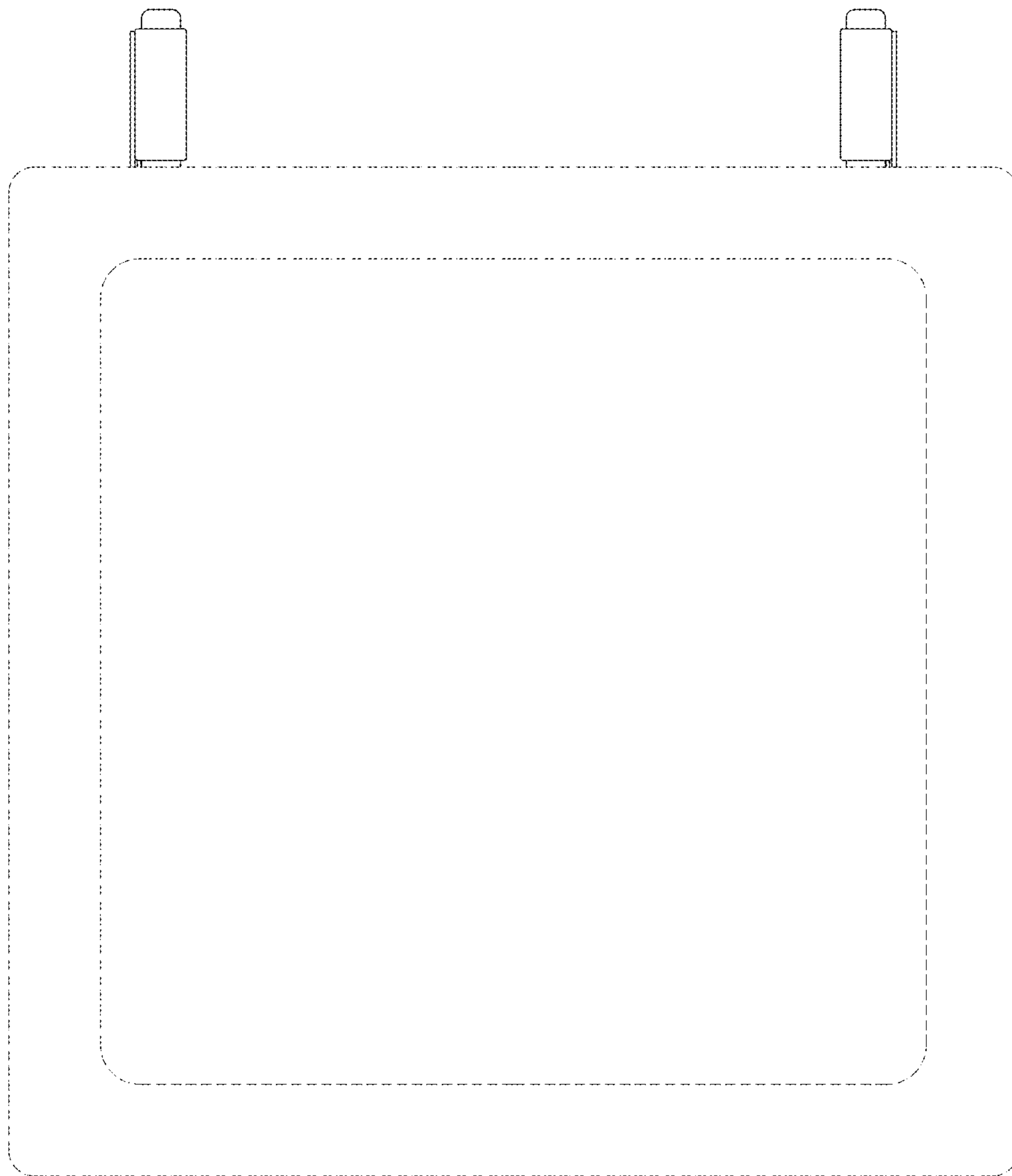


FIG. 11

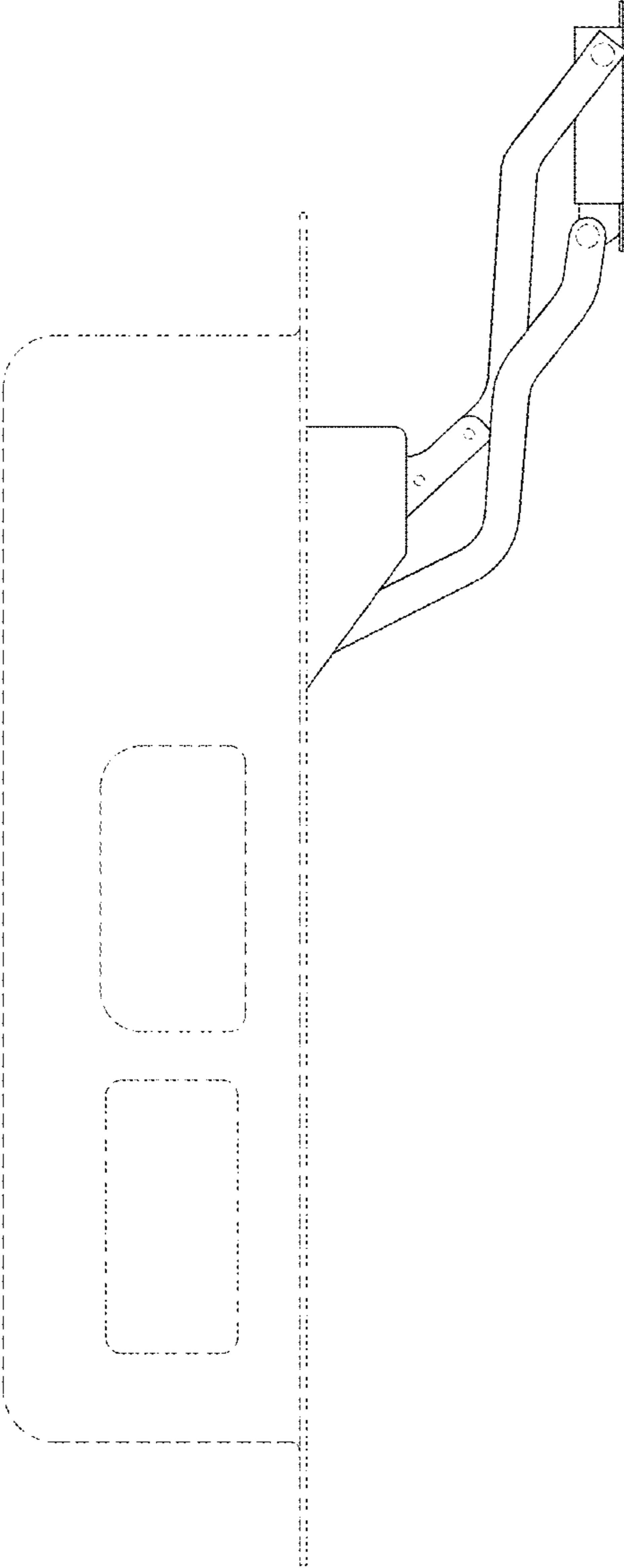


FIG. 12



FIG. 13



FIG. 14

