



US00D926019S

(12) **United States Design Patent**
Orikawa

(10) **Patent No.:** **US D926,019 S**
(45) **Date of Patent:** **** Jul. 27, 2021**

(54) **SUPPORTING DEVICE OF LOCK AND ATTACHMENT MECHANISM**

(71) Applicant: **NAGAKI SEIKI CO., LTD.**, Daito (JP)

(72) Inventor: **Tomohiro Orikawa**, Aomori (JP)

(73) Assignee: **NAGAKI SEIKI CO., LTD.**, Daito (JP)

(**) Term: **15 Years**

(21) Appl. No.: **29/621,062**

(22) Filed: **Oct. 4, 2017**

(30) **Foreign Application Priority Data**

Apr. 7, 2017 (JP) 2017-007480

(51) **LOC (13) Cl.** **08-07**

(52) **U.S. Cl.**
USPC **D8/343**; D8/382; D8/394
CPC **E05B 73/00** (2013.01)

(58) **Field of Classification Search**
USPC D8/5-32, 382-386, 396-399, 70, 70.1, D8/71-74, 471, 83, 104-107, 354, D8/355-359, 360-372, 330-349; 81/60, 81/31, 63.1, 119, 121.1, 177.1, 177.2, 81/177.8, 177.85, 489, 487, 124, 186, 4; 70/14-28, 57, 57.1, 58, 151-143, 114, 70/158, 224, 226, 431, 465, 70, 303 R, 70/49, 386; 292/299, 307 R; 24/16 R, 24/17 B, 599.1, 599.5, 599.9
CPC F16M 13/022; F16M 11/16; F16M 11/104; A61G 13/101; A47B 96/06; F16B 2/10; F16B 45/00; F16B 7/10; F16B 45/02; A47G 25/483; E05B 69/003; E05B 71/00; E05B 73/005; E05B 17/142; E05B 37/0068; E05B 37/025; E05B 37/08; E05B 67/063; E05B 67/22; E05B 67/24; E05B 67/28; E05B 67/32; E05B 67/36; E05B 67/365; E05B 67/38; E05B 67/383; E05B 37/004; E05B 17/443; E05B 19/18;

E05B 19/188; E05B 73/0005; E05B 15/1614; E05B 67/003; E05B 37/0031; E05B 37/02; E05B 69/00; E05B 67/06; E05B 73/00; E05B 37/00; E05B 65/52; E05B 73/0082; B62H 5/001; E05C 17/443; E05C 19/18; E05C 19/188; B60R 25/08; A01K 27/003; Y10S 24/35

See application file for complete search history.

(56) **References Cited**

U.S. PATENT DOCUMENTS

5,761,934 A *	6/1998	Kuo	E05B 17/002 70/233
5,829,280 A *	11/1998	Chen	E05B 67/003 70/49
D557,105 S *	12/2007	Lu	D8/331
D704,040 S *	5/2014	Kosaku	D8/394
D704,540 S *	5/2014	Shibamoto	D8/394
D711,731 S *	8/2014	Sugiura	D8/396
D731,299 S *	6/2015	Sugiura	D8/396

(Continued)

Primary Examiner — Richard E Chilcot

(74) *Attorney, Agent, or Firm* — Rabin & Berdo, P.C.

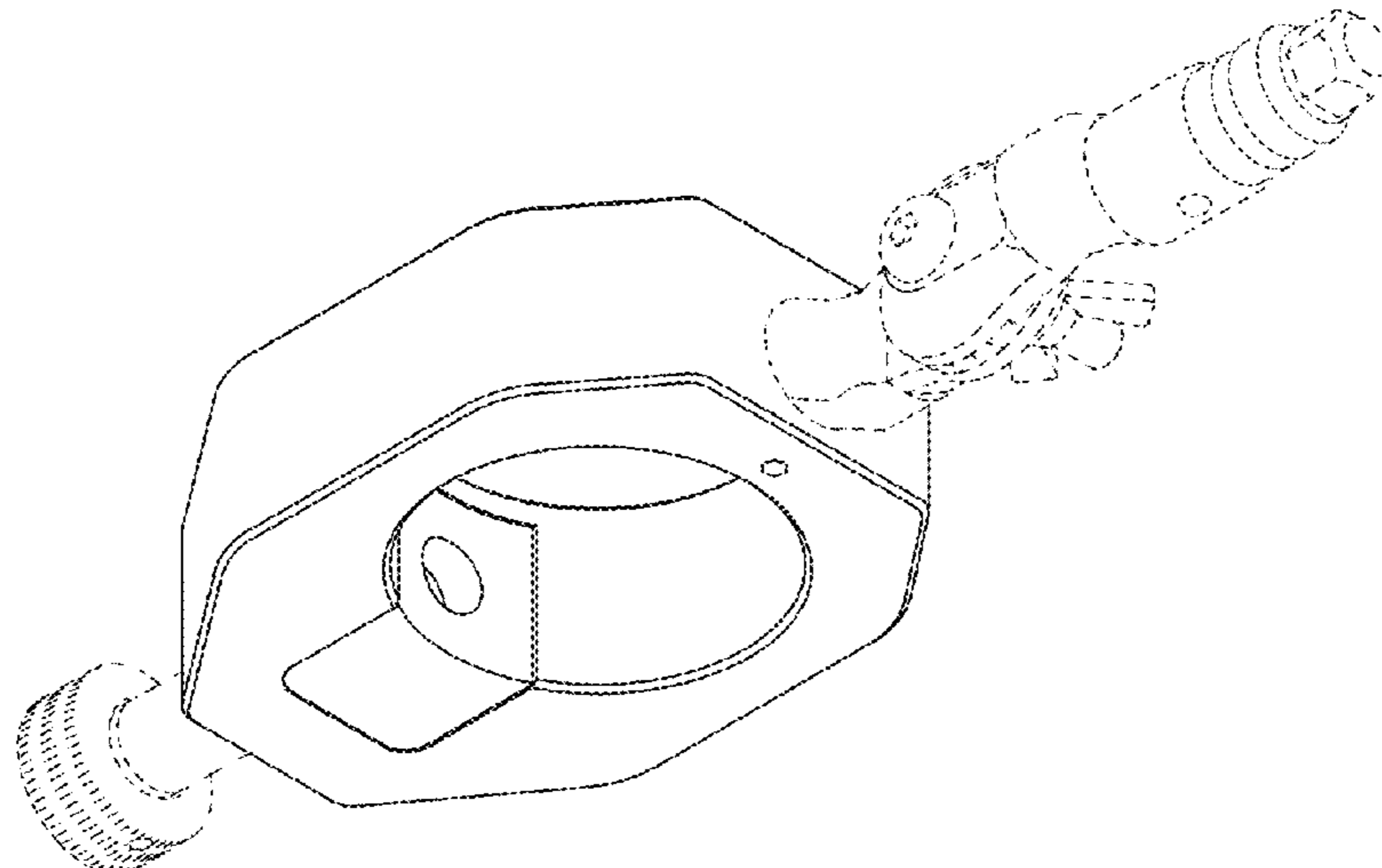
(57) **CLAIM**

The ornamental design for a supporting device of lock and attachment mechanism, as shown and described.

DESCRIPTION

FIG. 1 is a front view of the supporting device of lock and attachment mechanism;
FIG. 2 is a rear view thereof;
FIG. 3 is a top view thereof;
FIG. 4 is a bottom view thereof;
FIG. 5 is a right side view thereof;
FIG. 6 is a left side view thereof; and,
FIG. 7 is a perspective view thereof.
The broken lines illustrate unclaimed subject matter and form no part of the claimed invention.

1 Claim, 2 Drawing Sheets



(56)

References Cited

U.S. PATENT DOCUMENTS

D735,025	S *	7/2015	Mathien	D8/396
D736,884	S *	8/2015	Lovley, II	D21/839
D749,835	S *	2/2016	Whitaker	D3/10
D761,101	S *	7/2016	Seo	D8/396
D775,519	S *	1/2017	May	D8/396
D785,441	S *	5/2017	Katsuma	D8/339
D790,954	S *	7/2017	Ocklenburg	D8/343
D809,367	S *	2/2018	Kuo	D8/331
D817,147	S *	5/2018	Llewellyn	D8/330
D819,806	S *	6/2018	Koehler	D24/128
D880,802	S *	4/2020	Schenone	D34/27
D891,024	S *	7/2020	Schenone	D34/35
D907,459	S *	1/2021	Ocklenburg	D8/343
D911,158	S *	2/2021	Jenkins	D8/394
2013/0249212	A1 *	9/2013	McKiernan	F16L 23/04 285/407

* cited by examiner

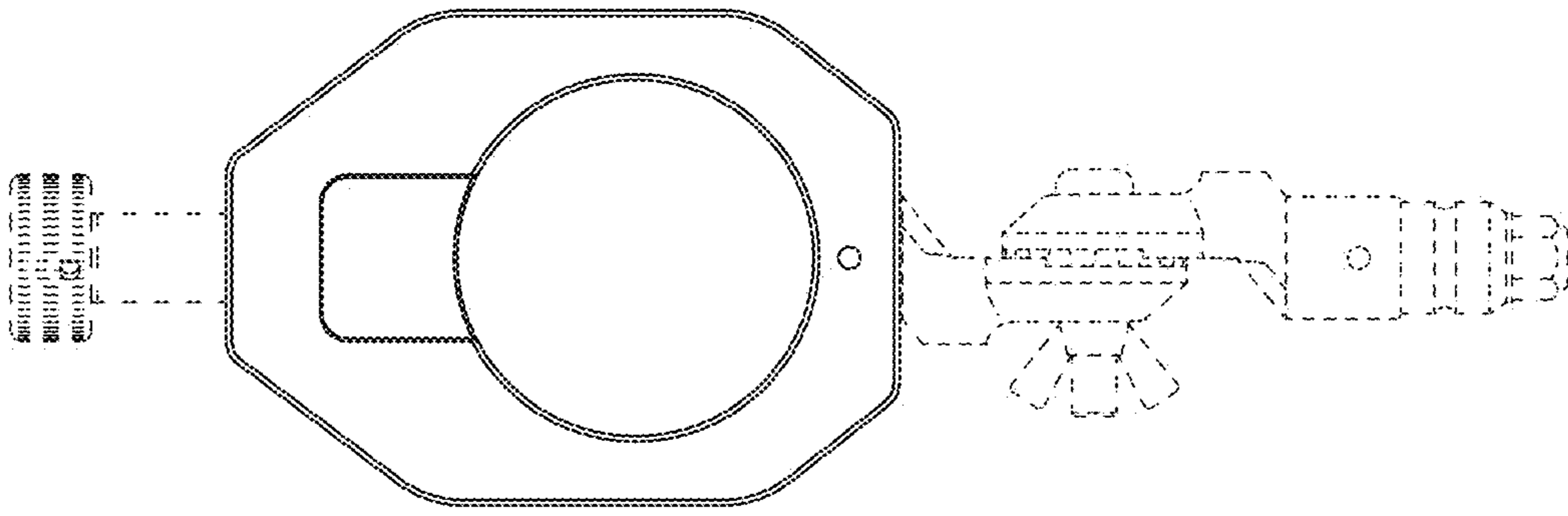


FIG. 1

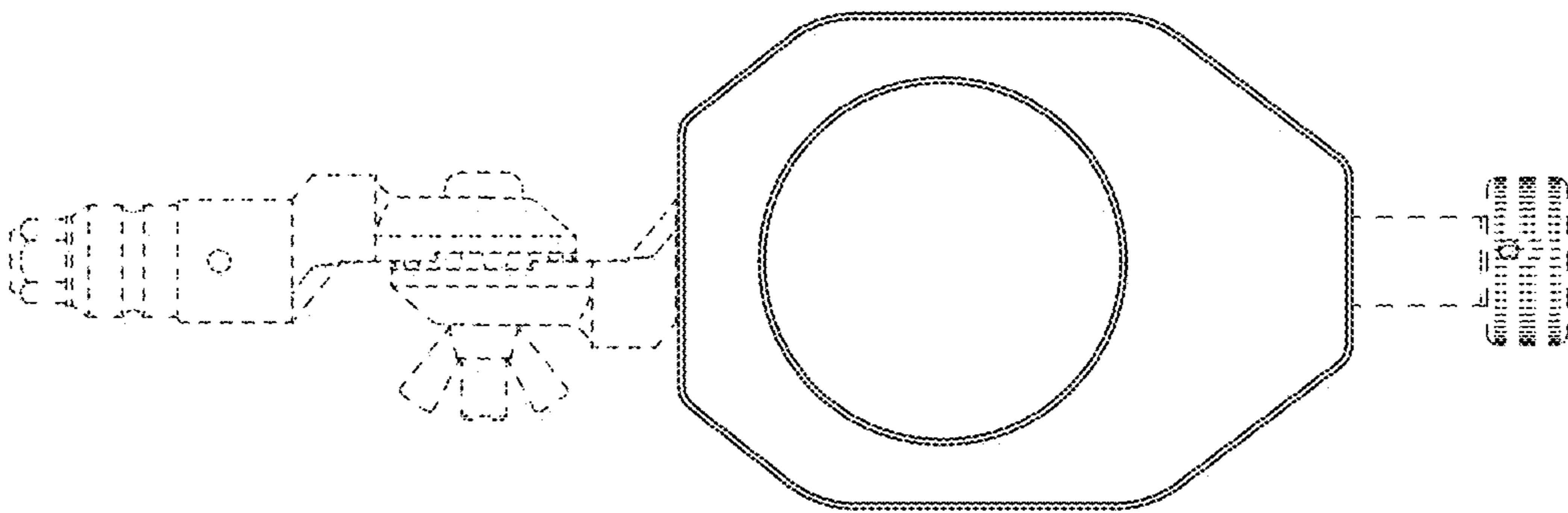


FIG. 2



FIG. 3

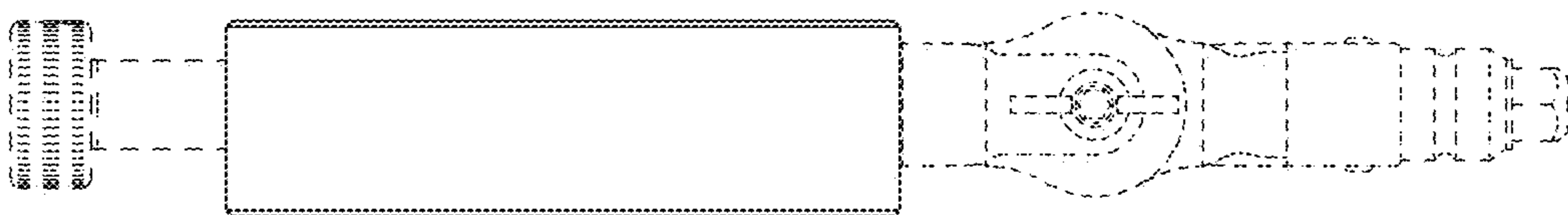


FIG. 4

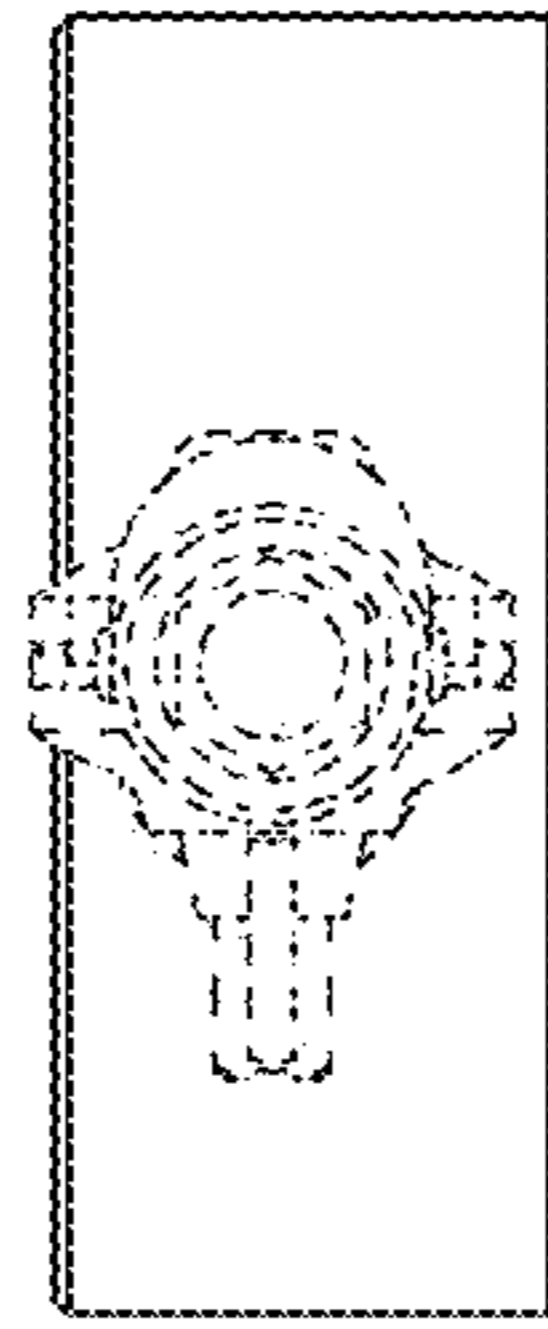


FIG. 5

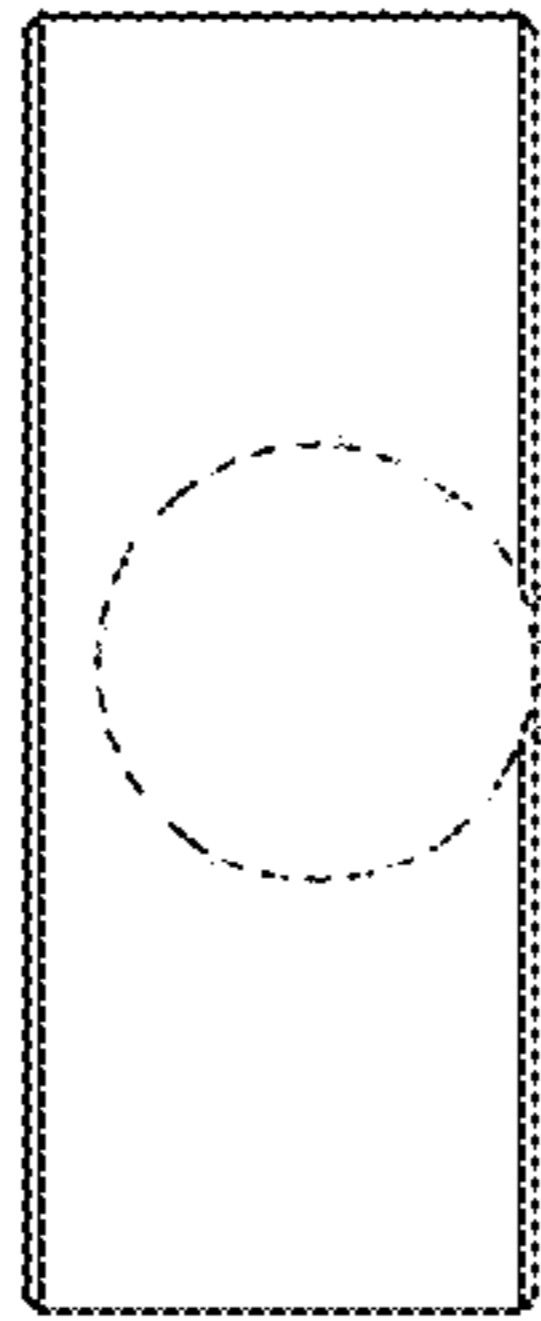


FIG. 6

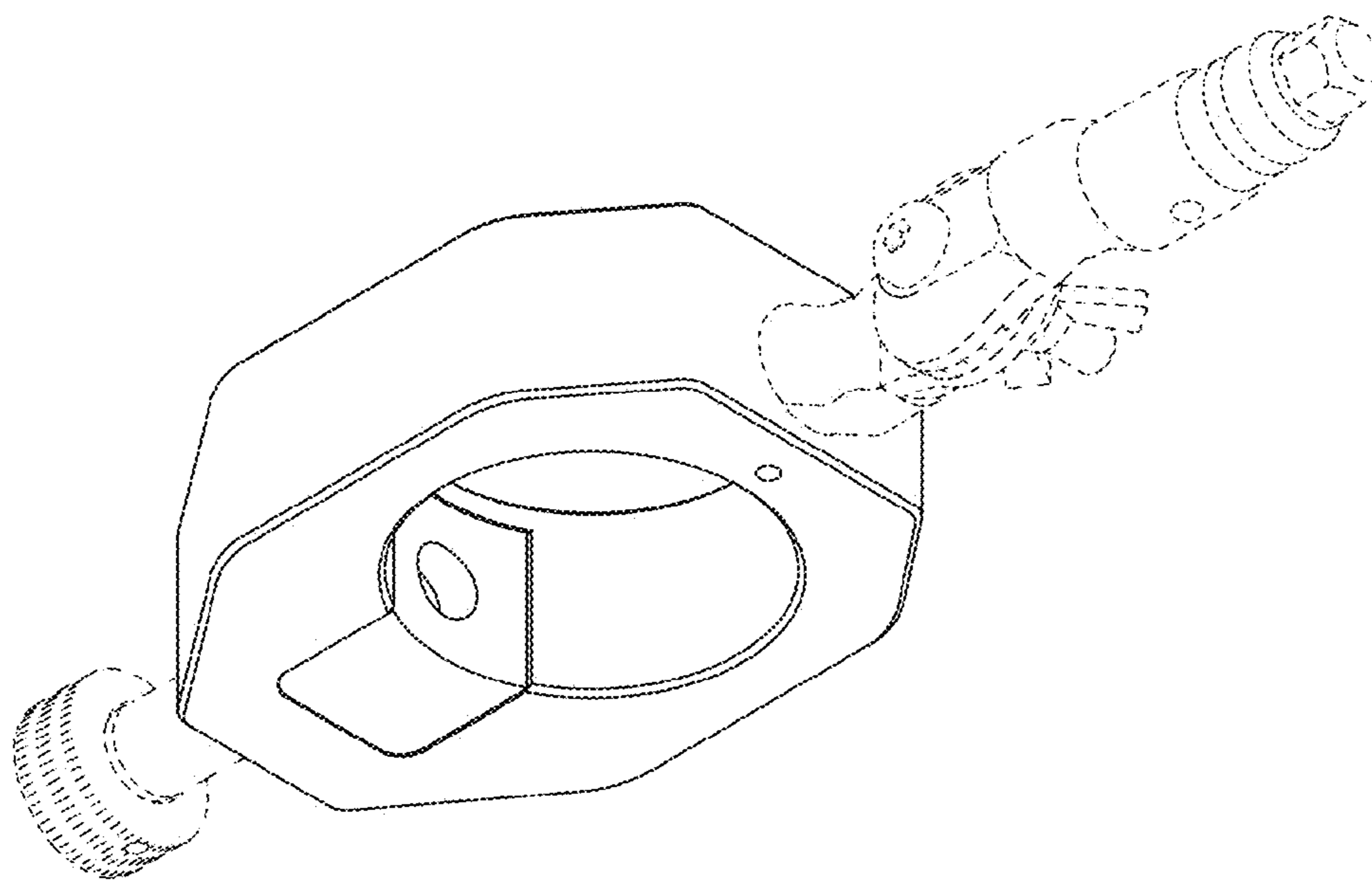


FIG. 7