



US00D926018S

(12) **United States Design Patent** (10) **Patent No.:** **US D926,018 S**  
**Snodgrass et al.** (45) **Date of Patent:** **\*\* Jul. 27, 2021**

(54) **KNOB**

(71) Applicant: **Dormakaba USA INC.**, Indianapolis, IN (US)

(72) Inventors: **John Andrew Snodgrass**, Indianapolis, IN (US); **Michael Hans Viklund**, Indianapolis, IN (US); **Brendon Allen**, Indianapolis, IN (US)

(73) Assignee: **dormakaba USA Inc.**, Indianapolis, IN (US)

(\*\*) Term: **15 Years**

(21) Appl. No.: **29/739,938**

(22) Filed: **Jun. 30, 2020**

**Related U.S. Application Data**

(62) Division of application No. 29/686,585, filed on Apr. 5, 2019, now Pat. No. Des. 891,901.

(51) **LOC (13) Cl.** ..... **08-06**

(52) **U.S. Cl.**  
USPC ..... **D8/311**

(58) **Field of Classification Search**

USPC ..... D8/107, 300, 301, 307, 310, 311, 312, D8/330, 331, 341, 342, 343; D23/250, D23/421; D7/393, 394, 396, 406, 543, D7/545, 547, 548

CPC ... Y10T 292/57; Y10T 292/82; Y10T 16/469; Y10T 16/44; Y10T 16/476; Y10T 74/2084; Y10T 292/85; Y10T 74/2087; Y10T 16/4713; Y10T 16/506; Y10T 74/20876; Y10T 74/20612; Y10T 70/5765; Y10T 16/459; Y10T 74/2066; Y10T 16/487; Y10T 74/20822

See application file for complete search history.

(56) **References Cited**

**U.S. PATENT DOCUMENTS**

D142,777 S 11/1945 Eastham  
3,347,072 A 10/1967 Rose

(Continued)

**FOREIGN PATENT DOCUMENTS**

DE 29703559 U1 4/1997  
DE 19612156 C2 7/1998

(Continued)

**OTHER PUBLICATIONS**

Amazon. "August Smart Lock 2nd Generation—Dark Grey, Works with Alexa" Retrieved Mar. 14, 2019 from <https://www.amazon.com/August-Smart-Lock-2nd-Generation>. 10 pages.

(Continued)

*Primary Examiner* — Lauren R Calve

(74) *Attorney, Agent, or Firm* — Faegre Drinker Biddle & Reath LLP

(57) **CLAIM**

The ornamental design for a knob, as shown and described.

**DESCRIPTION**

FIG. 1 is a front perspective view of a knob in accordance with the present disclosure;

FIG. 2 is a rear perspective view of the knob of FIG. 1;

FIG. 3 is a left side elevational view of the knob of FIG. 1;

FIG. 4 is a right side elevational view of the knob of FIG. 1;

FIG. 5 is a front elevational view of the knob of FIG. 1;

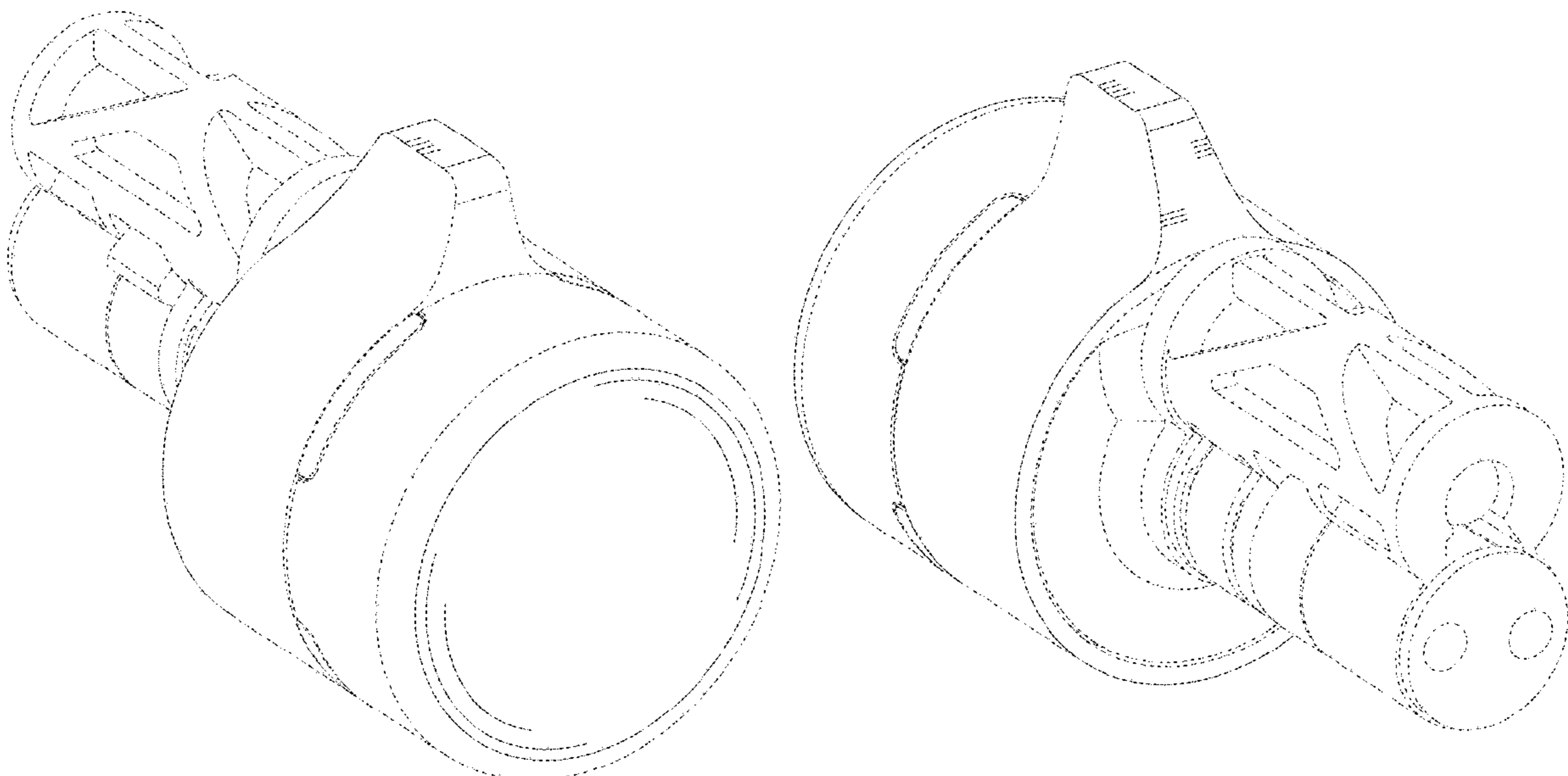
FIG. 6 is a rear elevational view of the knob of FIG. 1;

FIG. 7 is a top plan view of the knob of FIG. 1; and,

FIG. 8 is a bottom plan view of the knob of FIG. 1.

Features shown in broken lines form no part of the claimed design.

**1 Claim, 7 Drawing Sheets**



(56)

References Cited

U.S. PATENT DOCUMENTS

4,526,256 A 7/1985 Urdal  
 D284,064 S 6/1986 Poissant  
 4,745,785 A 5/1988 Uebersax  
 4,876,783 A 10/1989 Champion et al.  
 4,972,694 A 11/1990 Aulbers et al.  
 5,010,753 A 4/1991 Boris, Jr.  
 5,235,832 A 8/1993 Lux et al.  
 5,507,162 A 4/1996 Chhatwal  
 5,816,085 A 10/1998 Winardi et al.  
 5,839,305 A 11/1998 Aston  
 5,933,086 A 8/1999 Tischendorf et al.  
 6,158,259 A 12/2000 Schmitz et al.  
 D438,447 S \* 3/2001 Gartner ..... D8/331  
 6,264,256 B1 7/2001 Hankel et al.  
 6,474,122 B2 11/2002 Davis  
 D467,489 S 12/2002 Rubinson  
 D482,596 S \* 11/2003 Laabs ..... D8/343  
 D482,951 S \* 12/2003 Ling ..... D8/331  
 6,840,072 B2 1/2005 Russell et al.  
 6,865,916 B2 3/2005 Goldman  
 D525,517 S 7/2006 Baldwin  
 D571,186 S \* 6/2008 Veltz ..... D8/331  
 7,381,128 B2 6/2008 Ogawa et al.  
 7,428,834 B1 \* 9/2008 Lee ..... E05B 67/36  
 439/133  
 7,462,795 B2 12/2008 Montalvo  
 7,845,202 B2 12/2010 Padilla et al.  
 7,874,190 B2 1/2011 Krisch et al.  
 8,028,553 B2 10/2011 Lange  
 D700,038 S \* 2/2014 Linares ..... D8/331  
 D727,769 S 4/2015 Scalisi  
 D729,678 S 5/2015 Scalisi  
 9,206,620 B2 12/2015 Karsil et al.  
 9,222,282 B2 12/2015 Russo et al.  
 D747,175 S \* 1/2016 Linares ..... D8/331  
 D747,384 S 1/2016 Scalisi  
 D747,385 S 1/2016 Scalisi  
 D747,640 S 1/2016 Scalisi  
 D749,932 S \* 2/2016 Hollman ..... D8/330  
 D750,951 S \* 3/2016 Fuller ..... D8/311  
 D755,037 S 5/2016 Czerwinski et al.  
 9,500,006 B2 11/2016 Dayanikli et al.  
 D781,126 S 3/2017 Pionek et al.  
 9,644,402 B1 \* 5/2017 Su ..... E05B 73/0005  
 9,916,746 B2 3/2018 Johnson et al.  
 10,013,825 B2 7/2018 Belhadia et al.  
 D829,528 S 10/2018 Kim et al.  
 10,114,405 B2 \* 10/2018 Swayne ..... G05G 5/005  
 D834,394 S \* 11/2018 Kang ..... D8/311  
 10,125,519 B1 11/2018 Gengler et al.  
 D842,072 S \* 3/2019 Nilssen ..... D8/311  
 10,401,035 B2 9/2019 Pionek et al.  
 10,691,158 B2 \* 6/2020 Livolsi ..... G05G 5/06  
 10,702,003 B2 \* 7/2020 Patel ..... A61F 9/06  
 D891,901 S \* 8/2020 Snodgrass ..... D8/311  
 2003/0217574 A1 11/2003 Meis  
 2004/0245080 A1 \* 12/2004 Turner ..... H01H 3/0213  
 200/329  
 2008/0180211 A1 \* 7/2008 Lien ..... E05B 47/0615  
 340/5.61

2008/0223093 A1 \* 9/2008 Amir ..... E05B 47/0012  
 70/283.1  
 2010/0000750 A1 \* 1/2010 Andel ..... B25B 21/02  
 173/48  
 2010/0139337 A1 \* 6/2010 Hung ..... E05B 73/0082  
 70/58  
 2013/0067969 A1 \* 3/2013 Webb ..... E05B 65/52  
 70/78  
 2014/0150502 A1 6/2014 Duncan  
 2015/0233142 A1 \* 8/2015 Schweitzer ..... E05B 27/0003  
 292/336.3  
 2017/0002587 A1 \* 1/2017 Wheeler ..... E05B 9/002  
 2017/0185099 A1 \* 6/2017 Edinger ..... F24C 7/08  
 2017/0306652 A1 \* 10/2017 Guo ..... E05B 17/045  
 2019/0218826 A1 7/2019 Allen et al.  
 2019/0368233 A1 \* 12/2019 Gengler ..... E05B 67/22  
 2020/0024868 A1 \* 1/2020 Snodgrass ..... E05B 63/0056  
 2020/0141157 A1 \* 5/2020 Miller ..... E05B 47/0673  
 2020/0199911 A1 \* 6/2020 Allen ..... E05B 9/086  
 2020/0318392 A1 \* 10/2020 Barnett, III ..... E05B 47/0006  
 2021/0025195 A1 \* 1/2021 Duprez ..... E05B 47/0611

FOREIGN PATENT DOCUMENTS

DE 29911356 U1 10/1999  
 DE 19854454 C2 9/2000  
 EP 0588209 A1 3/1994  
 EP 0999328 A1 5/2000  
 EP 1065335 A1 1/2001  
 EP 1079051 A1 2/2001  
 EP 1174572 A2 1/2002  
 EP 3358534 A1 8/2018  
 GB 2178376 A 2/1987  
 GB 2262770 B 3/1995  
 WO 2018/075605 A1 4/2018  
 WO 2019/051337 A1 3/2019  
 WO 2019/200257 A1 10/2019

OTHER PUBLICATIONS

Amazon. "Friday Labs Steel FLSS Wireless Smart Door Lock, Smart Phone Control, Bluetooth and Apple HomeKit Compatible, iPhone & Android Compatible, Steel Finish Shell & Door Plate, Single Cylinder deadbolt" Retrieved Mar. 14, 2019 from <https://www.amazon.com/Friday-Labs-FLSS-Bluetooth-Compatible>. 10 pages.  
 DOM Tapkey. Retrieved from: [www.en.dom-group.eu/produkt/?tx\\_shdomproducts](http://www.en.dom-group.eu/produkt/?tx_shdomproducts) . . . on May 23, 2018, 6 pages.  
 EVVA Sicherheitstechnologie GmbH. Retrieved from: [www.asmag.com/suppliers/productcontent.aspx?co=evva&id=32658](http://www.asmag.com/suppliers/productcontent.aspx?co=evva&id=32658) on Mar. 6, 2020, 4 pages.  
 SALTO GEO Cylinder—the next generation of electronic cylinder lock. SALTO Systems 2013, 6 pages.  
 Simply smart: new AirKey features now available. Retrieved from: [www.ewa.com/int-en/aboutus/news/detailpages/simply-smart-new-airkey-features-now-available/](http://www.ewa.com/int-en/aboutus/news/detailpages/simply-smart-new-airkey-features-now-available/) on May 25, 2020. 3 pages.  
 Top 10 access control locks of 2016. Retrieved from: [www.asmag.com/showpost/22173.aspx](http://www.asmag.com/showpost/22173.aspx) on May 25, 2020, 8 pages.  
 Touch-to-Open smart lock. Retrieved from: [www.kwikset.com/kevo/default](http://www.kwikset.com/kevo/default) on May 18, 2017, 2 pages.  
 U.S. Appl. No. 29/686,585, filed Apr. 5, 2019.

\* cited by examiner

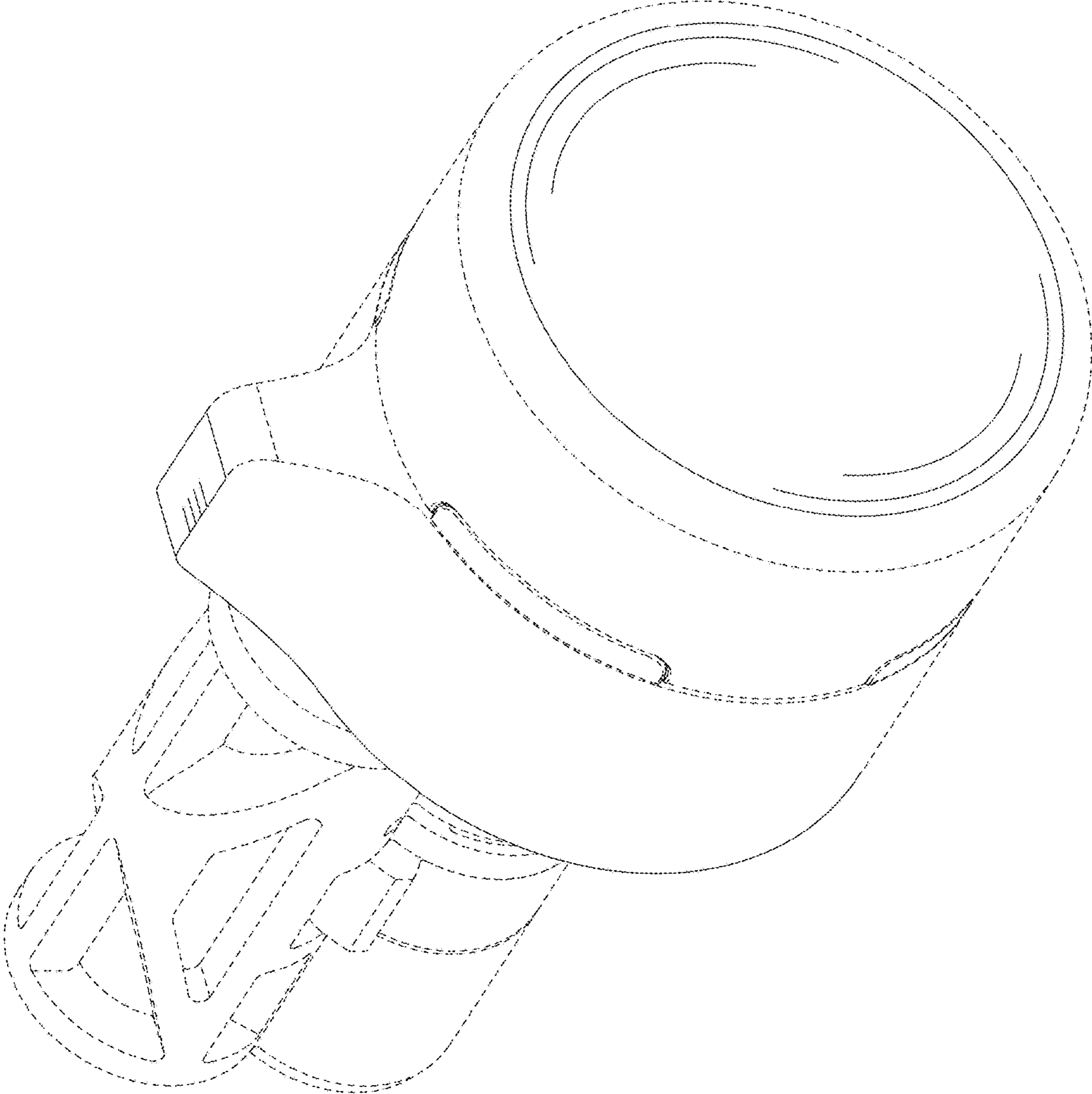


Fig. 1

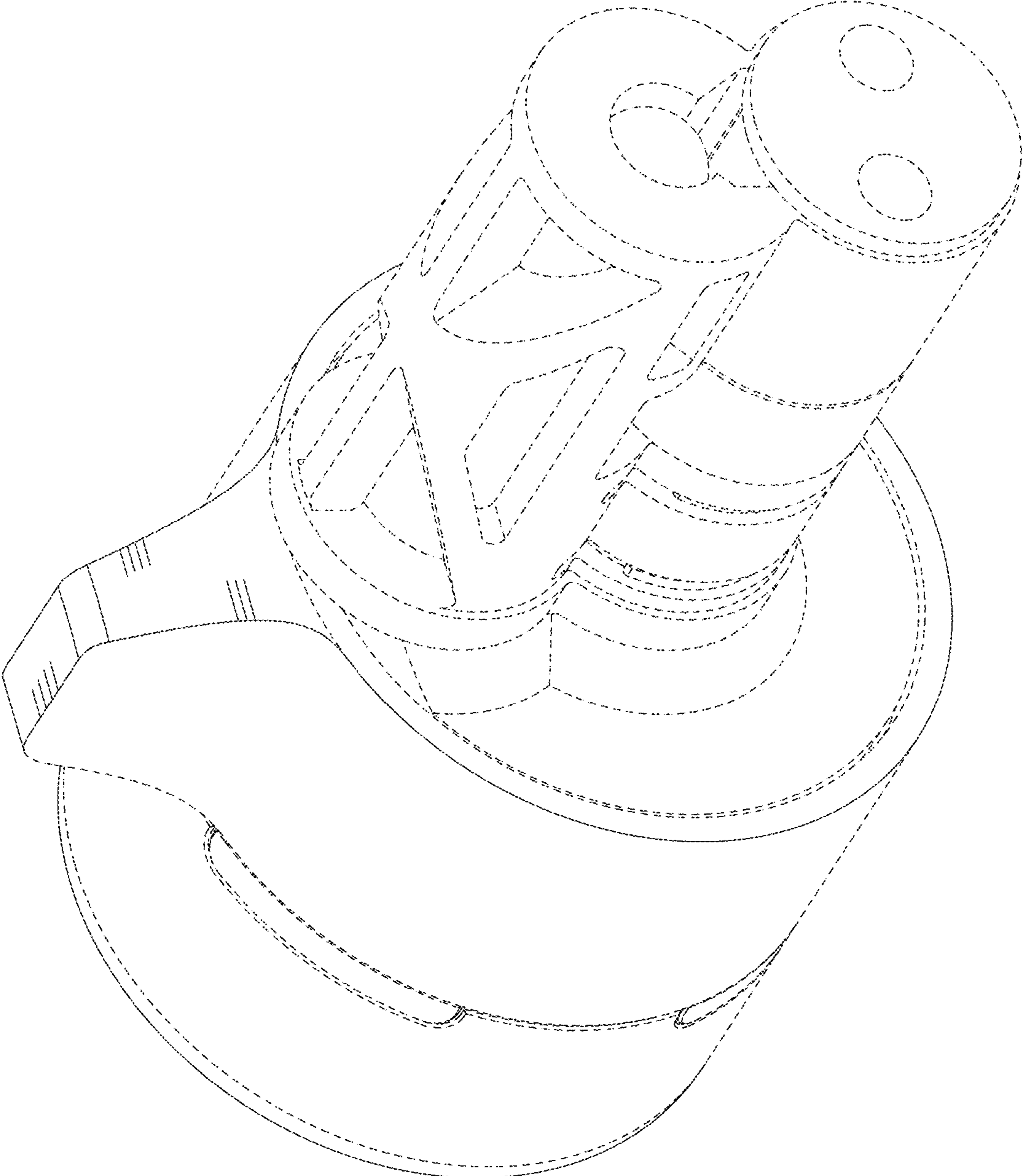


Fig. 2

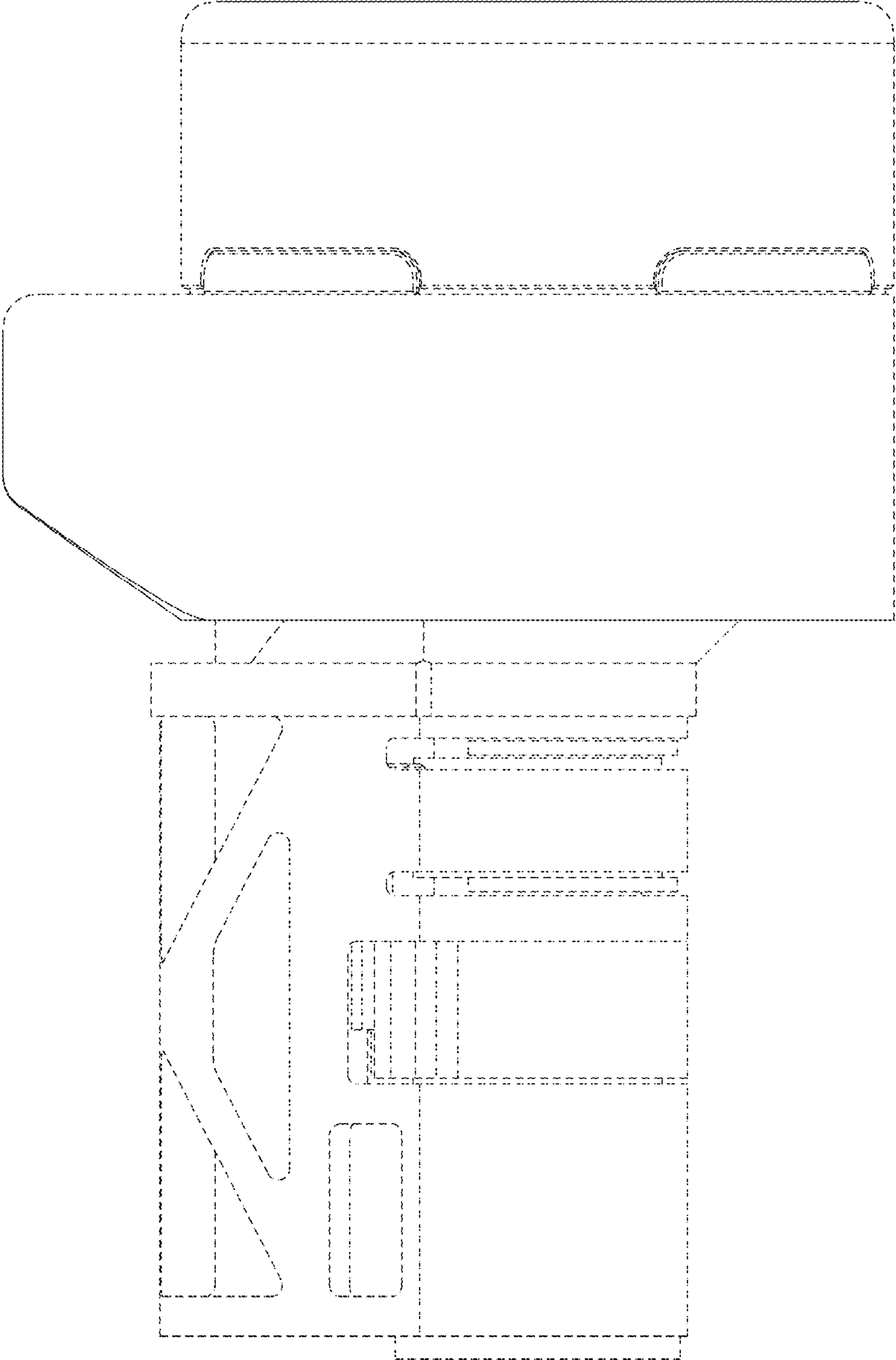


Fig. 3

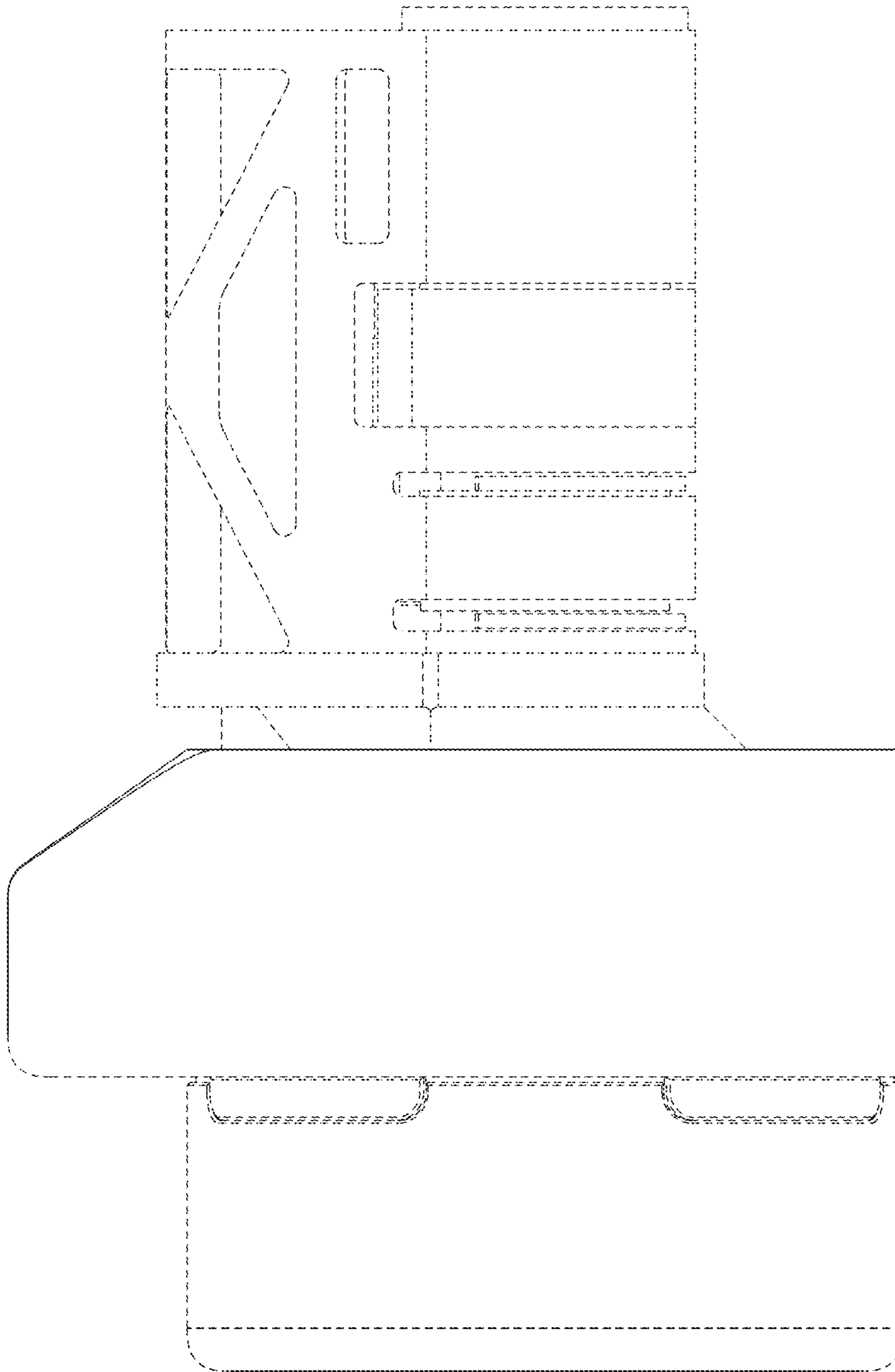


Fig. 4

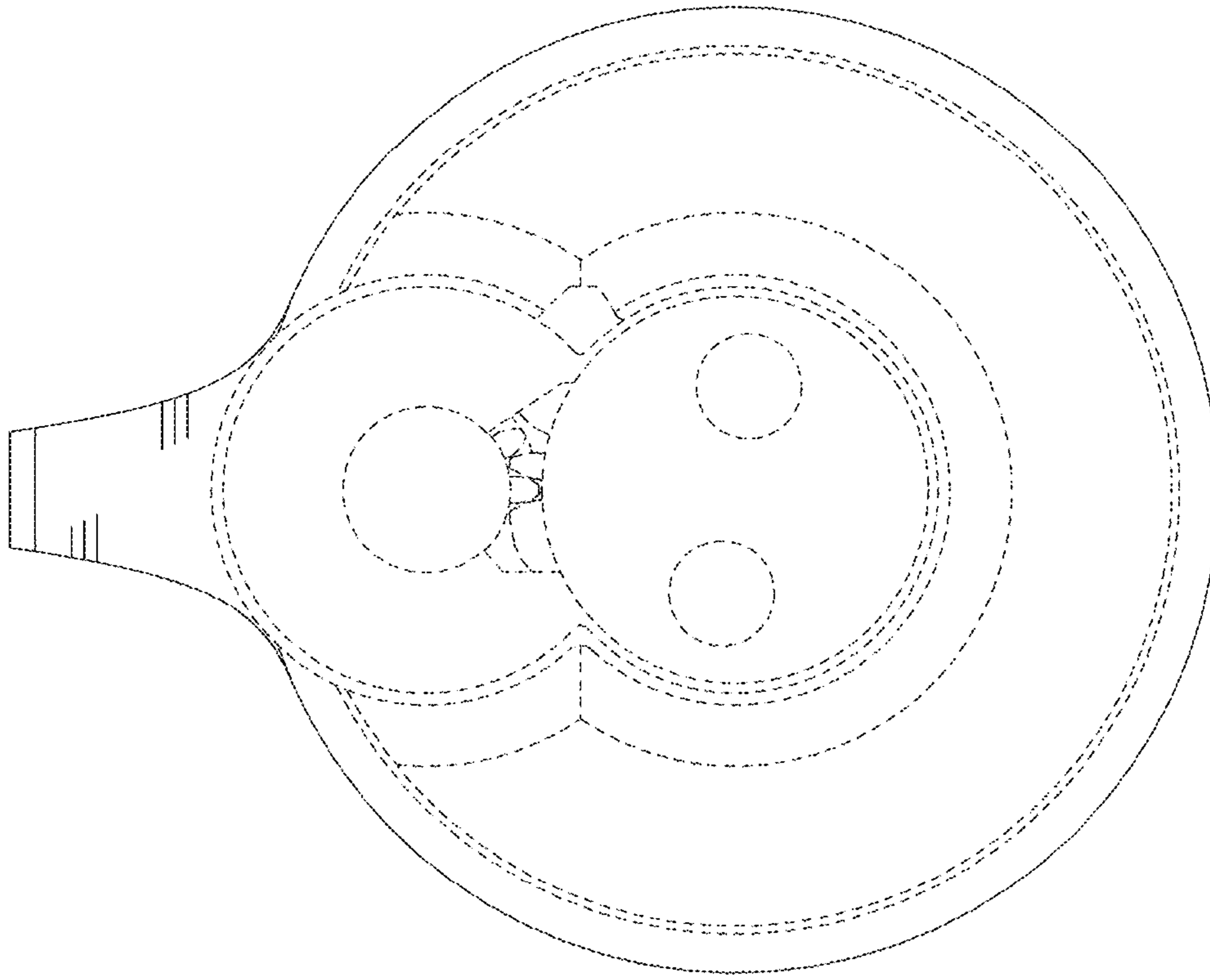


Fig. 6

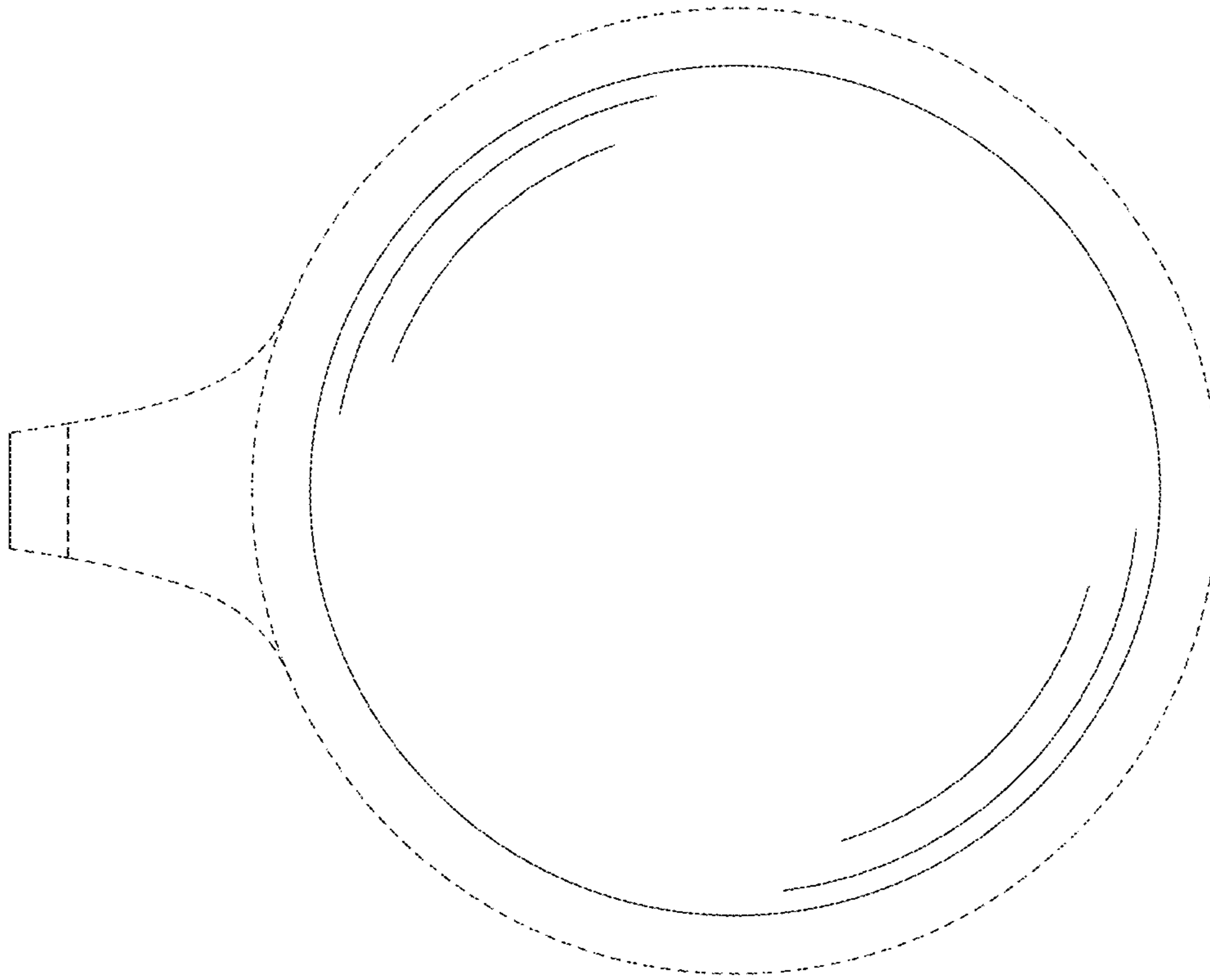


Fig. 5

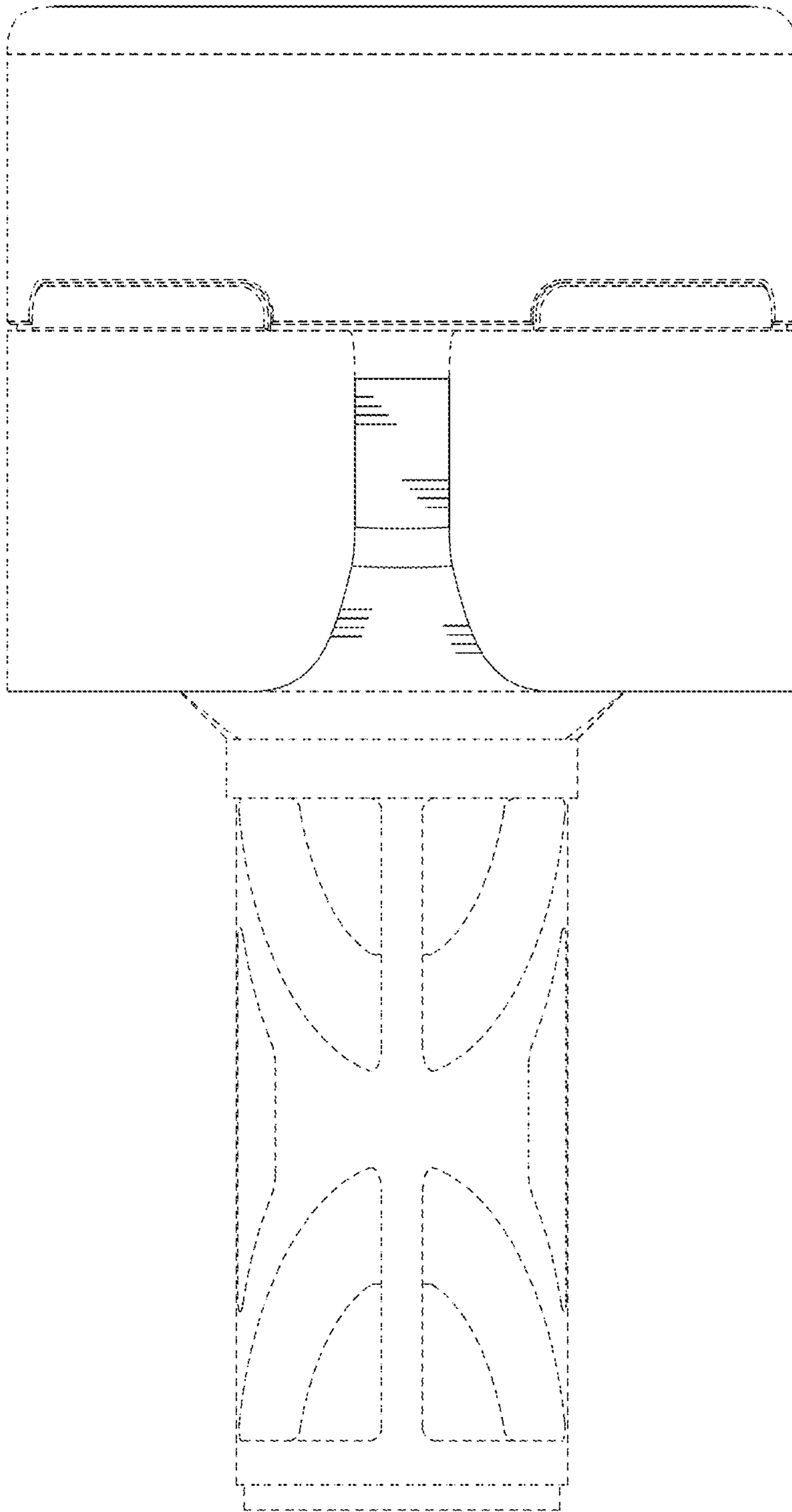


Fig. 7



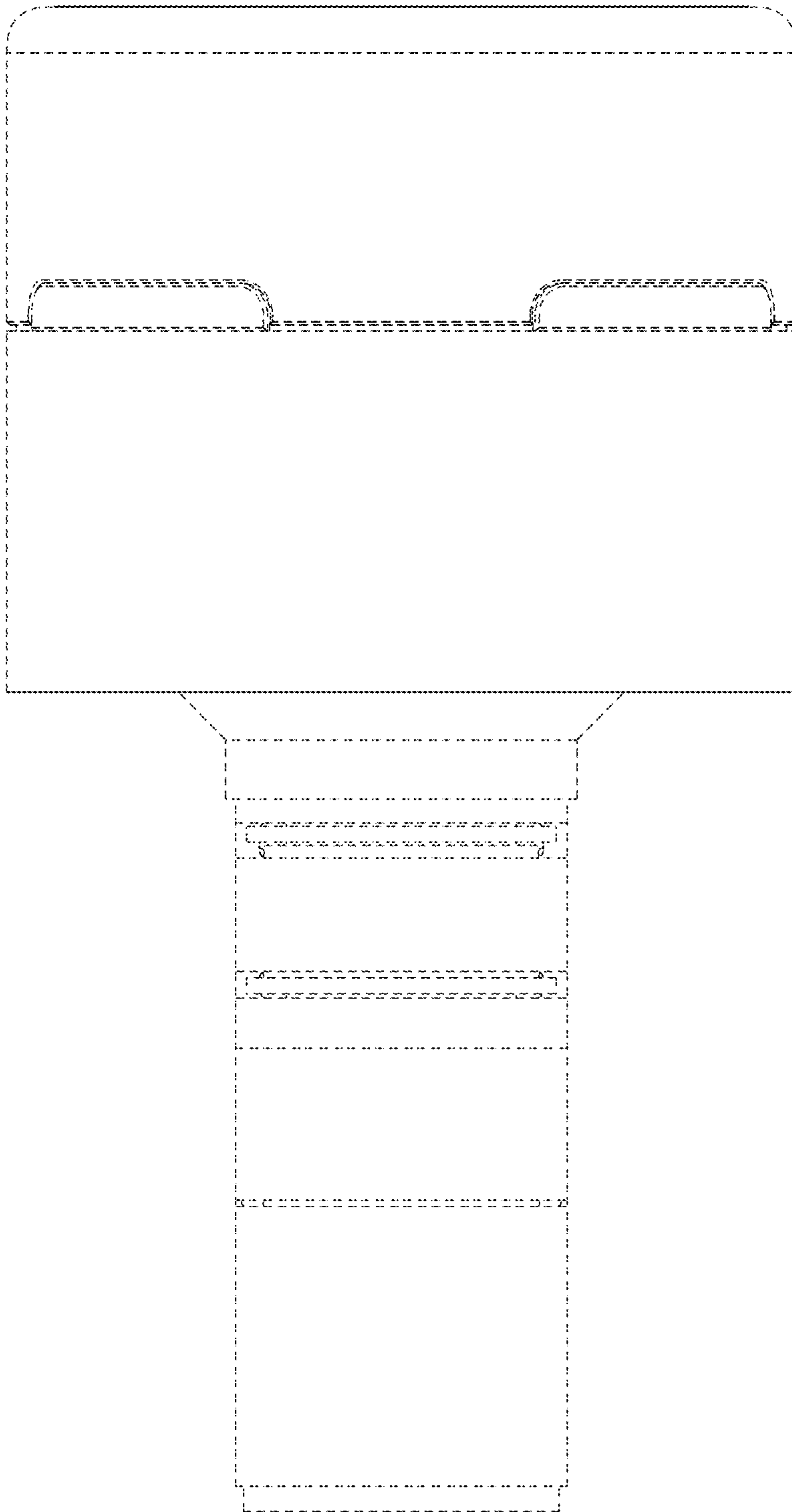


Fig. 8