

US00D926017S

(12) **United States Design Patent**
Xinrui

(10) **Patent No.:** **US D926,017 S**

(45) **Date of Patent:** **** Jul. 27, 2021**

(54) **HANDLE**

85/12; E05B 85/10; E05B 7/00; E05B
1/0053; E05B 77/265

(71) Applicant: **Guangzhou Yapasuo Bathroom
Accessory Technology Co., Ltd.,
Guangzhou (CN)**

See application file for complete search history.

(72) Inventor: **Zhang Xinrui, Kaiping (CN)**

(56) **References Cited**

(**) Term: **15 Years**

U.S. PATENT DOCUMENTS

(21) Appl. No.: **29/712,655**

D263,990	S	*	4/1982	Fleischmann	D23/252
4,349,940	A	*	9/1982	Fleischmann	E05B 1/00 16/110.1
D332,135	S	*	12/1992	Bonnell	D23/252
D438,775	S	*	3/2001	Magnusson	D8/308
D525,516	S	*	7/2006	Veltz	D8/308
D528,898	S	*	9/2006	Hu	D8/308
D541,386	S	*	4/2007	Hanna	D23/252
D548,310	S	*	8/2007	Hanna	D23/252

(22) Filed: **Nov. 11, 2019**

(51) **LOC (13) Cl.** **08-06**

(52) **U.S. Cl.**
USPC **D8/308**

* cited by examiner

(58) **Field of Classification Search**

USPC D8/300-302, 307-309, 310, 311,
D8/DIG. 10; D23/250, 252

Primary Examiner — Lauren R Calve

(74) *Attorney, Agent, or Firm* — Runit Ranjit Kanakia

CPC Y10T 16/44; Y10T 74/20612; Y10T
74/20732; Y10T 16/458; Y10T 16/498;
Y10T 16/469; Y10T 16/476; Y10T
74/20744; Y10T 74/20864; Y10T
16/4628; Y10T 74/20642; Y10T 16/473;
Y10T 74/20762; Y10T 74/2042; Y10T
74/20828; Y10T 16/459; Y10T 16/4713;
Y10T 74/2014; Y10T 16/50; Y10T
74/20438; Y10T 74/20582; Y10T
74/20738; Y10T 16/48; Y10T 74/20618;
Y10T 74/20684; Y10T 74/20624; Y10T
74/20468; Y10T 16/61; Y10T 16/4719;
Y10T 16/86; Y10S 16/30; Y10S 292/31;
Y10S 292/53; Y10S 16/12; Y10S 292/23;
Y10S 292/27; Y10S 292/30; Y10S
292/63; E05B 85/16; E05B 1/0015; E05B
77/06; E05B 79/06; E05B 85/18; E05B

(57) **CLAIM**

I claim the ornamental design for a handle, as shown and described.

DESCRIPTION

FIG. 1 is a Perspective view of a handle showing my new design;

FIG. 2 is a Right-side view thereof;

FIG. 3 is a Left-side view thereof;

FIG. 4 is a Top view thereof;

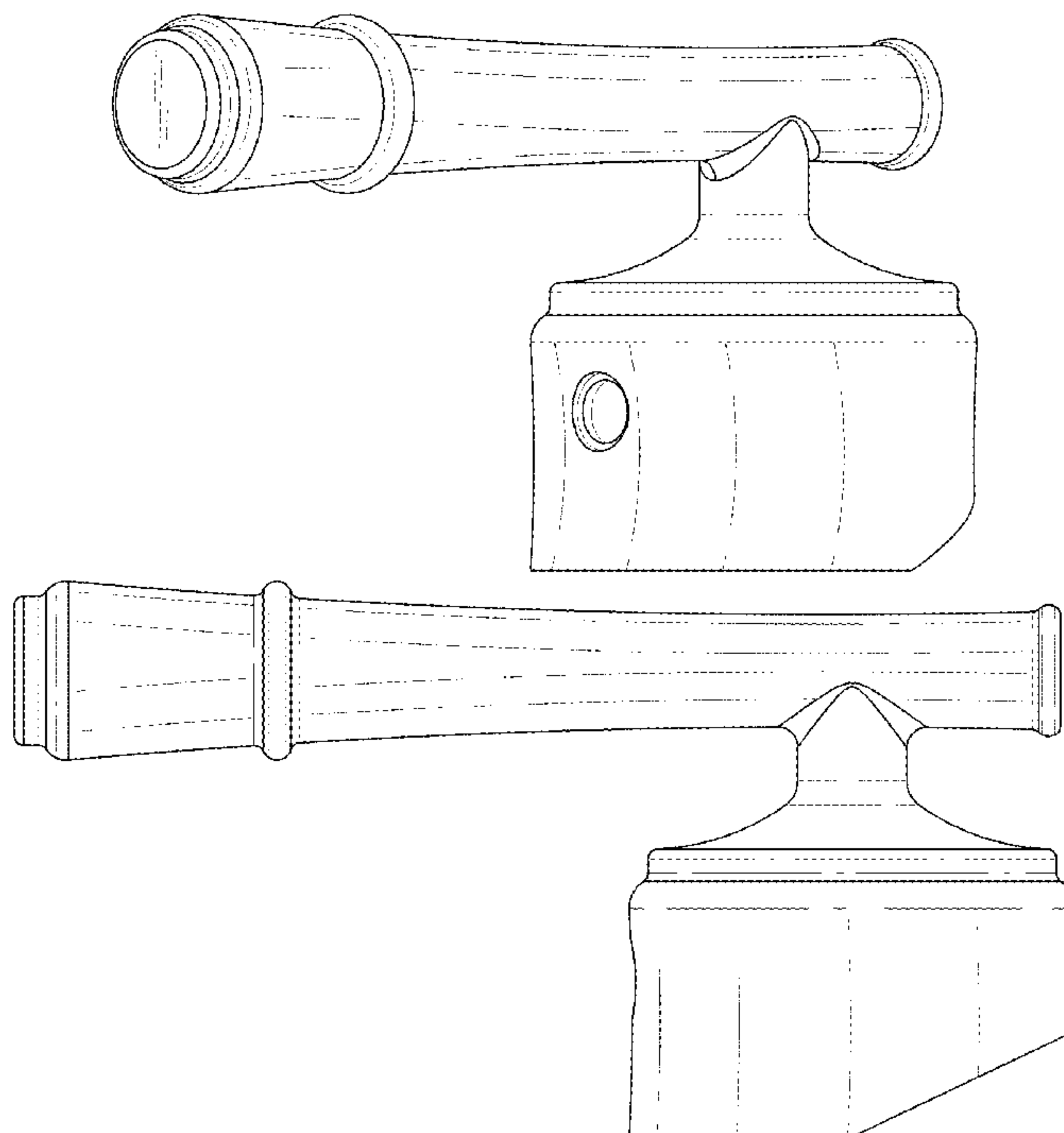
FIG. 5 is a Bottom view thereof;

FIG. 6 is a Front view thereof; and,

FIG. 7 is a Back view thereof.

The broken lines shown represent portions of the handle that form no part of the claimed design.

1 Claim, 6 Drawing Sheets



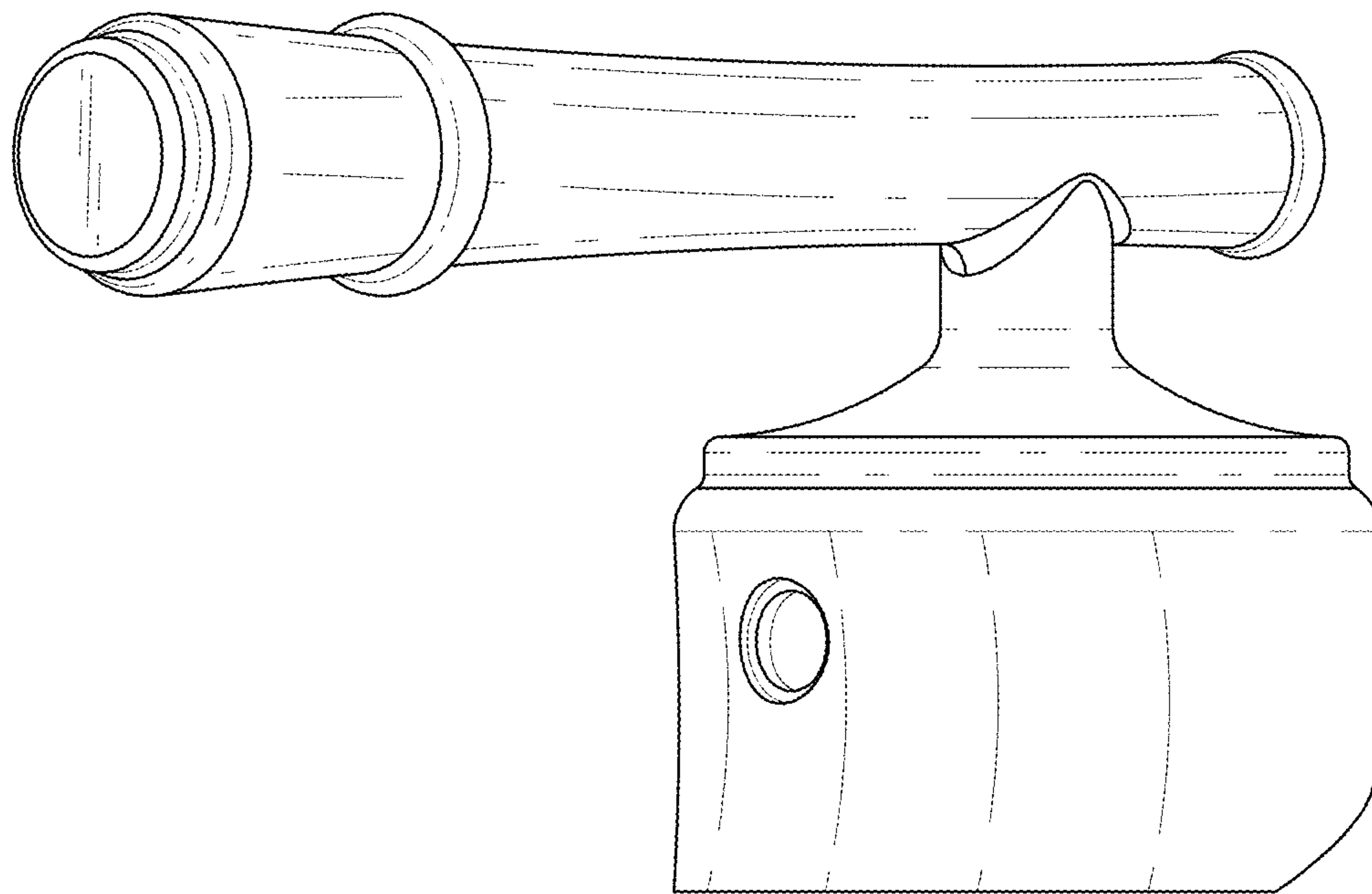


FIG. 1

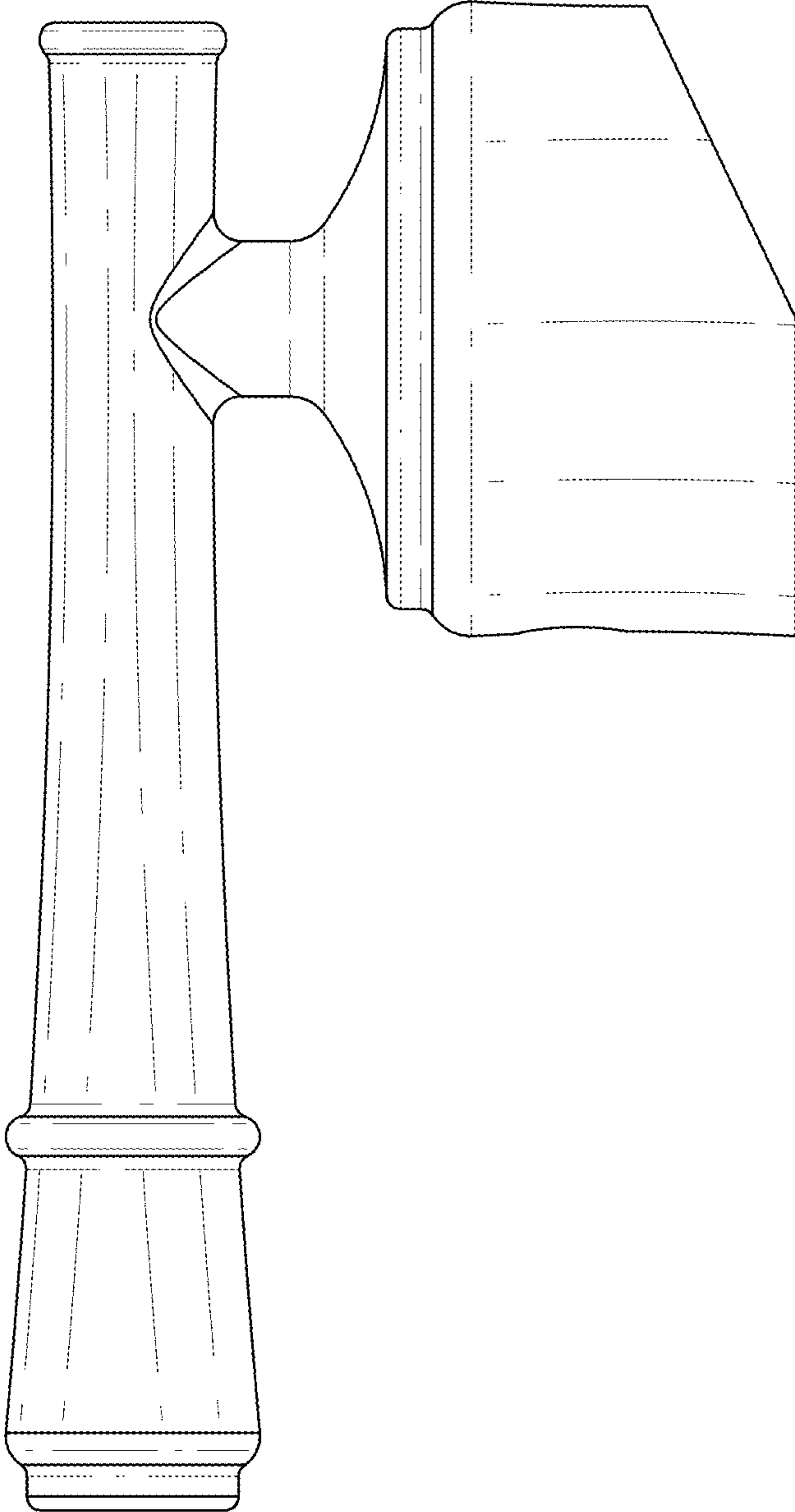


FIG. 2

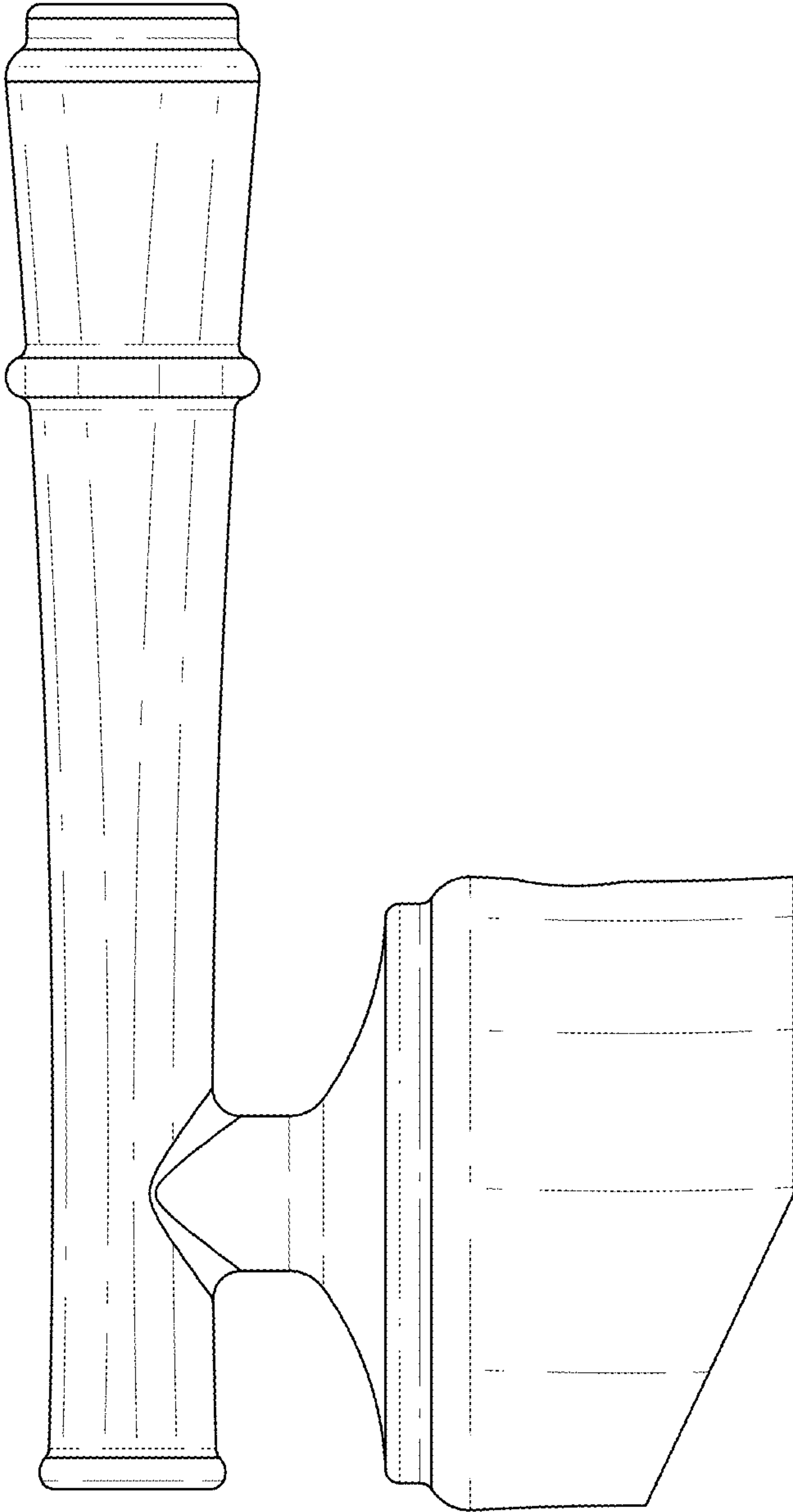


FIG. 3

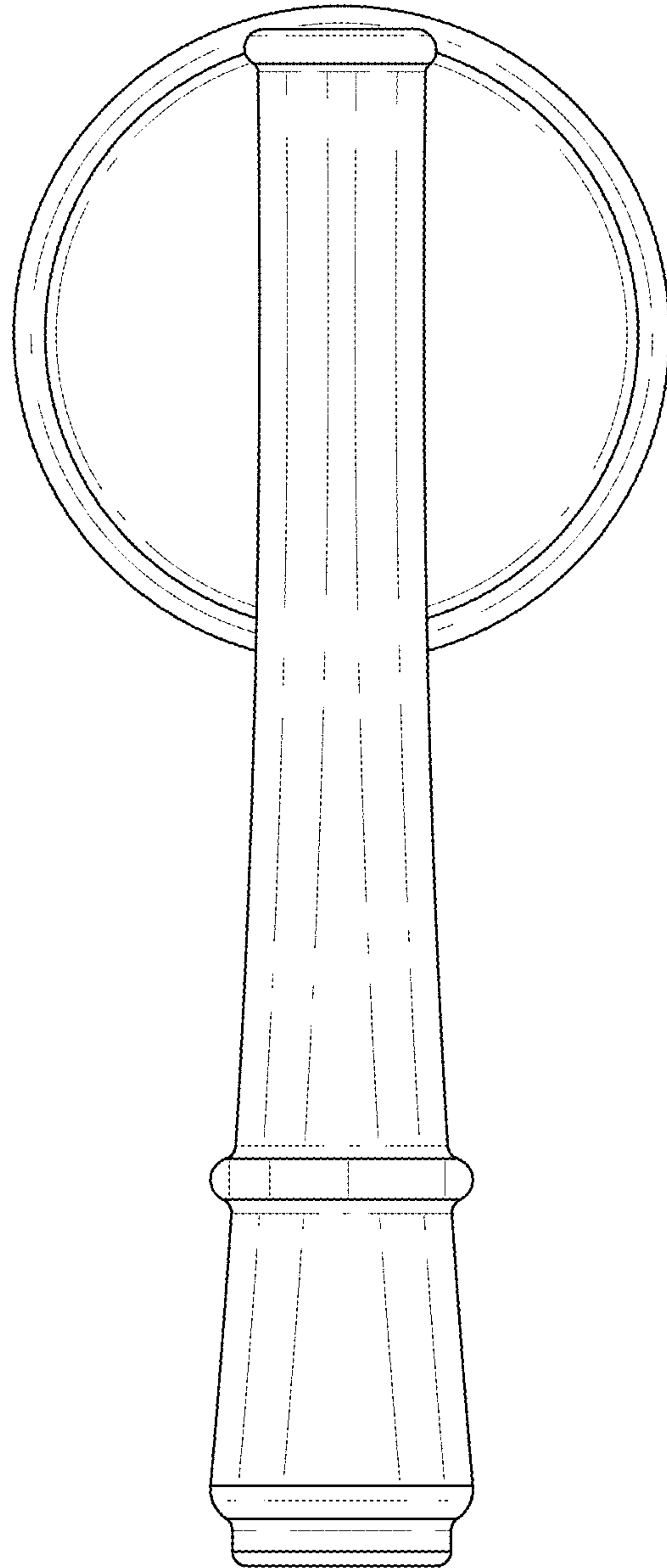


FIG. 4

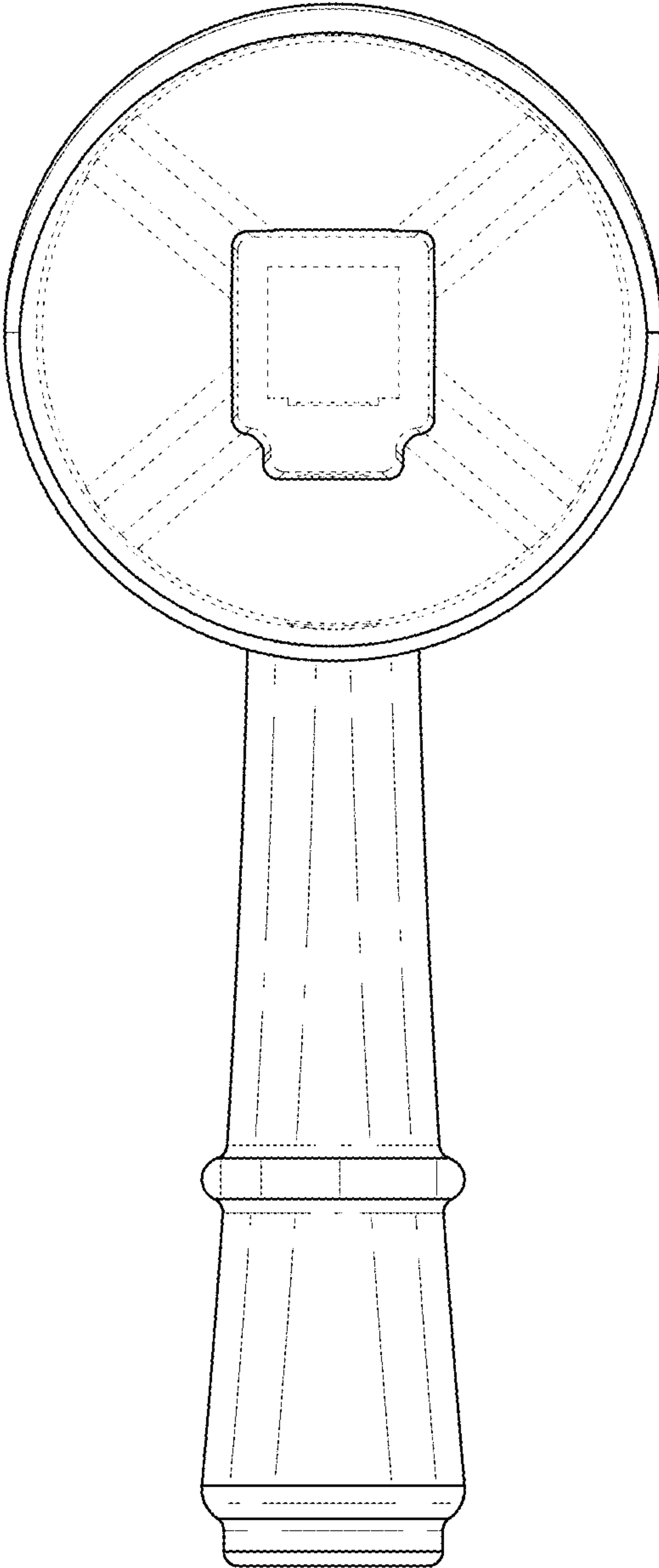


FIG. 5

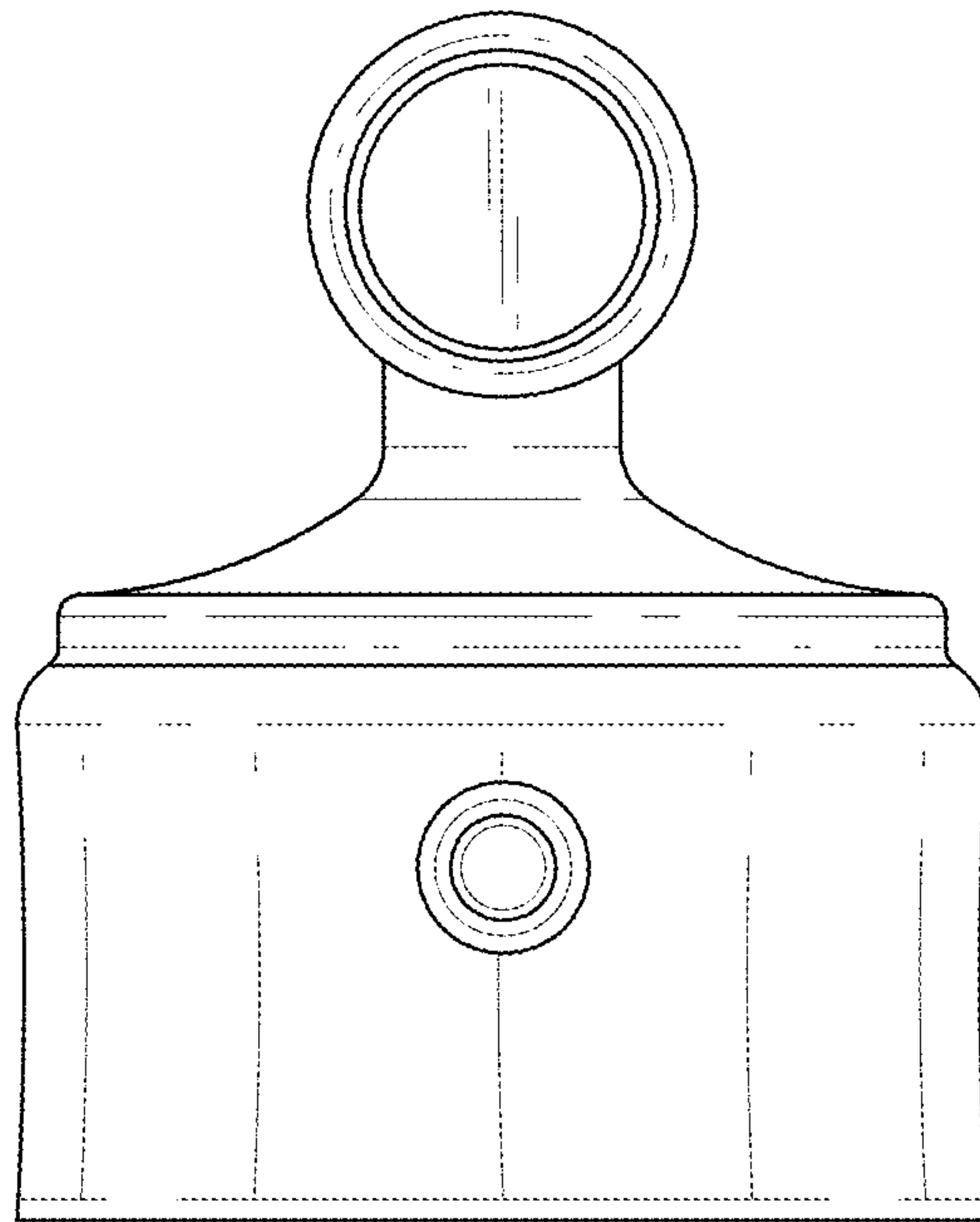


FIG. 6

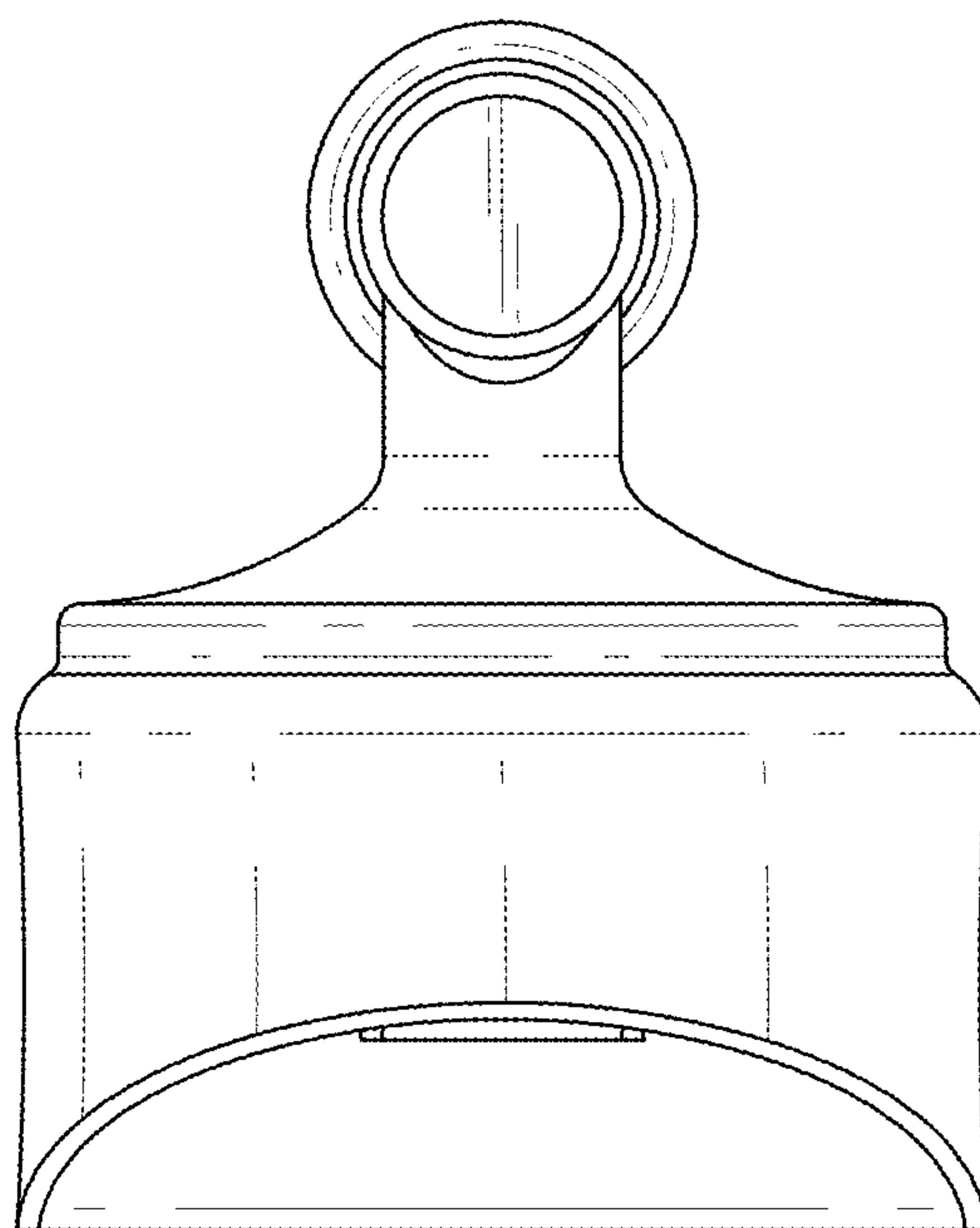


FIG. 7