



US00D926016S

(12) **United States Design Patent**
Chisholm

(10) **Patent No.:** **US D926,016 S**

(45) **Date of Patent:** **** Jul. 27, 2021**

(54) **ERGONOMIC GRIP**

(71) Applicant: **Mandi Jean-Marie Chisholm**,
Columbus, OH (US)

(72) Inventor: **Mandi Jean-Marie Chisholm**,
Columbus, OH (US)

(**) Term: **15 Years**

(21) Appl. No.: **29/716,011**

(22) Filed: **Dec. 5, 2019**

(51) **LOC (13) Cl.** **08-06**

(52) **U.S. Cl.**
USPC **D8/303**; D24/144

(58) **Field of Classification Search**
USPC D8/107, 300, 303, 307; D15/142;
D7/393, 395; D21/756; D24/144
CPC Y10T 16/44; Y10T 74/20612; Y10T
74/20287; Y10T 74/20732; Y10T
74/20828; Y10T 16/466; Y10T 74/20864;
Y10T 16/469; Y10T 74/20822; Y10T
16/4713; Y10T 74/20396; B25B 23/16;
B25G 1/102; B25G 1/105; B25G 1/10;
B25G 1/00; B25G 1/063; B25G 1/005;
B25G 1/01; B25G 1/043; B25G 1/085
See application file for complete search history.

(56) **References Cited**

U.S. PATENT DOCUMENTS

D130,814 S *	12/1941	Comiskey et al.	D8/303
D449,219 S *	10/2001	Claudio	D8/356
7,805,813 B1 *	10/2010	Bunyard	A47J 45/072 16/425
D723,685 S *	3/2015	Myers	A61M 37/0076 D24/144
D737,972 S *	9/2015	Chen	A61M 37/0076 D24/146
D782,895 S *	4/2017	Provda	D8/107
D844,409 S *	4/2019	Breeden, III	D8/303

D852,953 S *	7/2019	Ciferri	D24/144
10,449,663 B2 *	10/2019	Martin	A46B 5/021
2007/0137051 A1 *	6/2007	Luttgens	B43L 23/08 30/451
2008/0271287 A1 *	11/2008	Gustafson	F16K 21/06 16/110.1
2010/0095487 A1 *	4/2010	Gitman	B43K 23/008 16/430
2010/0206138 A1 *	8/2010	Clark	A61M 37/0076 81/9.22

(Continued)

Primary Examiner — Lauren R Calve

(74) *Attorney, Agent, or Firm* — The Law Office of
Patrick F. O'Reilly III, LLC

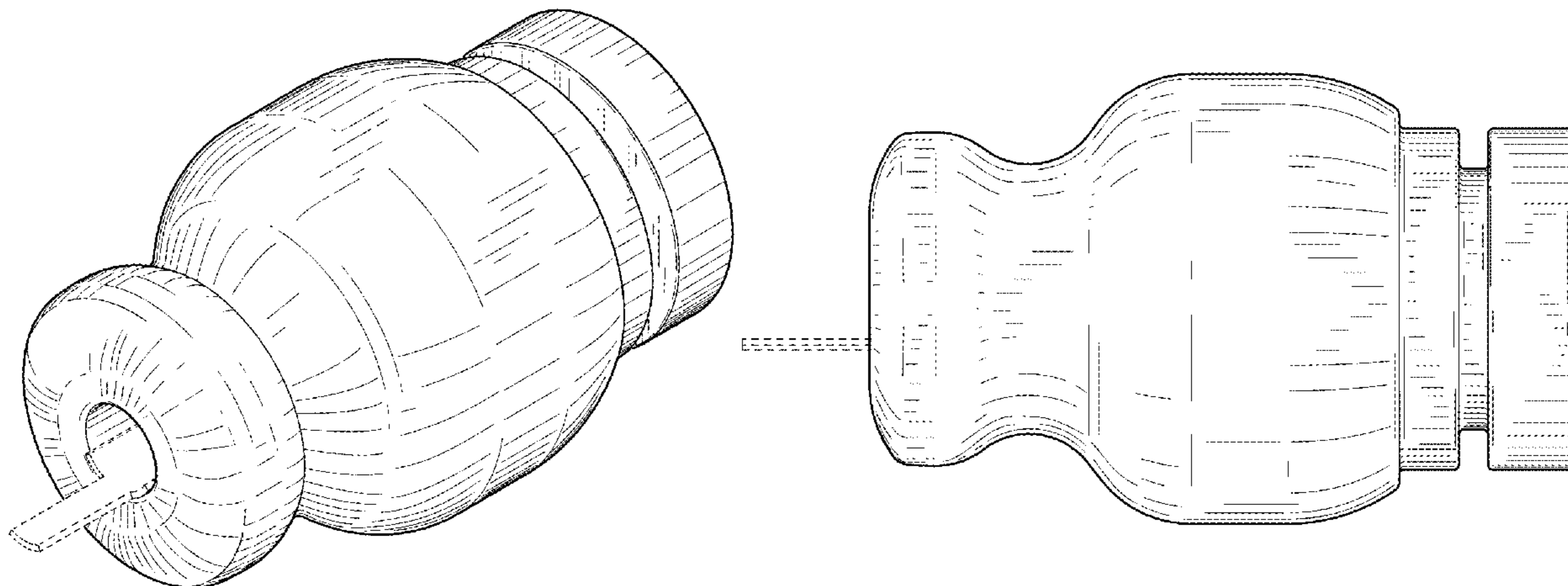
(57) **CLAIM**

The ornamental design for an ergonomic grip, as shown and described.

DESCRIPTION

FIG. 1 is a top-side perspective view of an ergonomic grip showing my new design;
 FIG. 2 is a front elevational view of the ergonomic grip shown in FIG. 1;
 FIG. 3 is a right side elevational view of the ergonomic grip shown in FIG. 1;
 FIG. 4 is a rear elevational view of the ergonomic grip shown in FIG. 1;
 FIG. 5 is a left side elevational view of the ergonomic grip shown in FIG. 1;
 FIG. 6 is a top plan view of the ergonomic grip shown in FIG. 1;
 FIG. 7 is a bottom plan view of the ergonomic grip shown in FIG. 1; and,
 FIG. 8 is a bottom-side perspective view of the ergonomic grip shown in FIG. 1.
 The broken line portions of the drawing figures are included to show unclaimed subject matter only and form no part of the claimed design.

1 Claim, 5 Drawing Sheets



(56)

References Cited

U.S. PATENT DOCUMENTS

2013/0192028 A1* 8/2013 Pierce B25G 1/102
16/430
2014/0025099 A1* 1/2014 Morrison A61M 37/0076
606/186
2015/0072304 A1* 3/2015 Swatton A61C 17/20
433/86

* cited by examiner

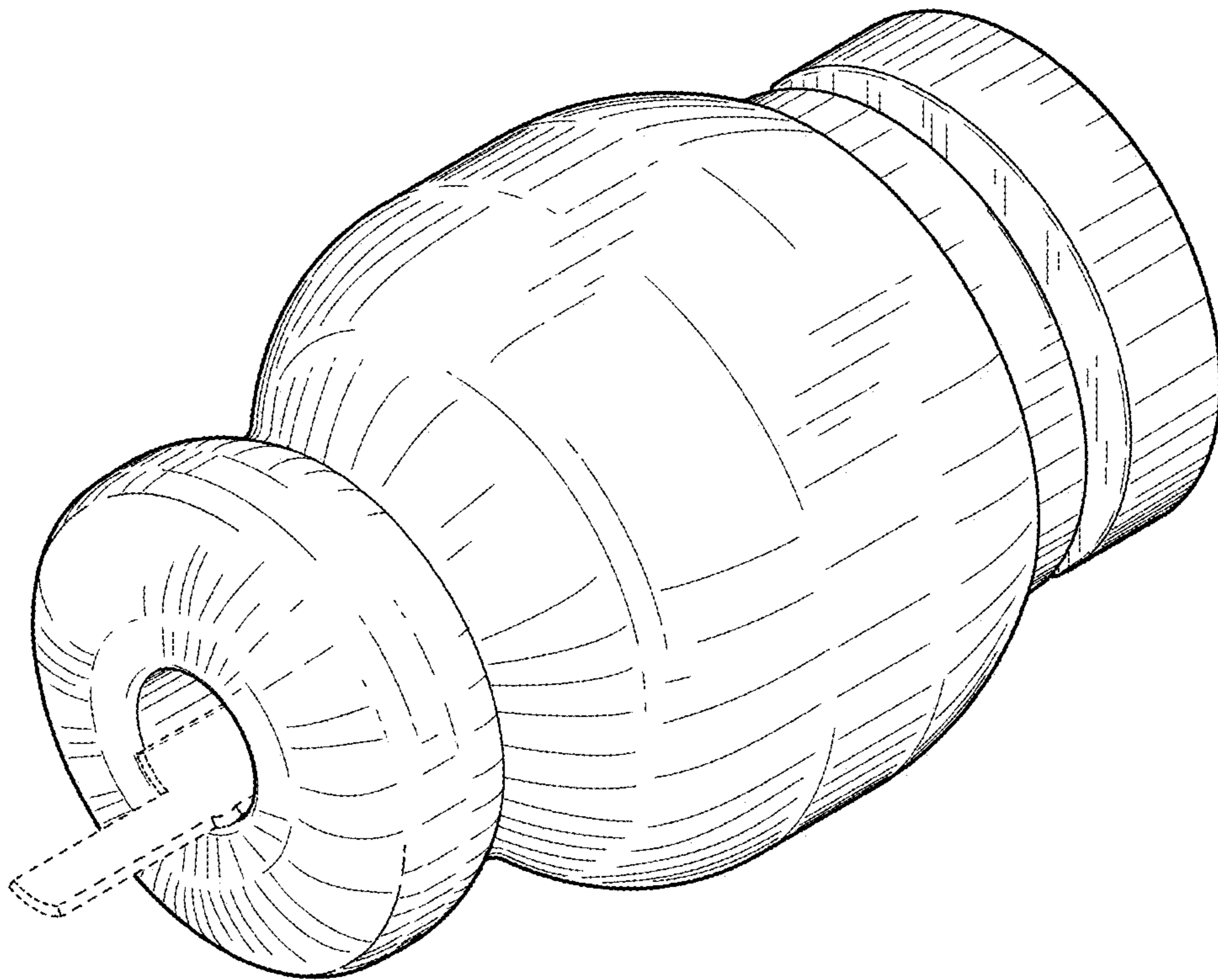


FIG. 1

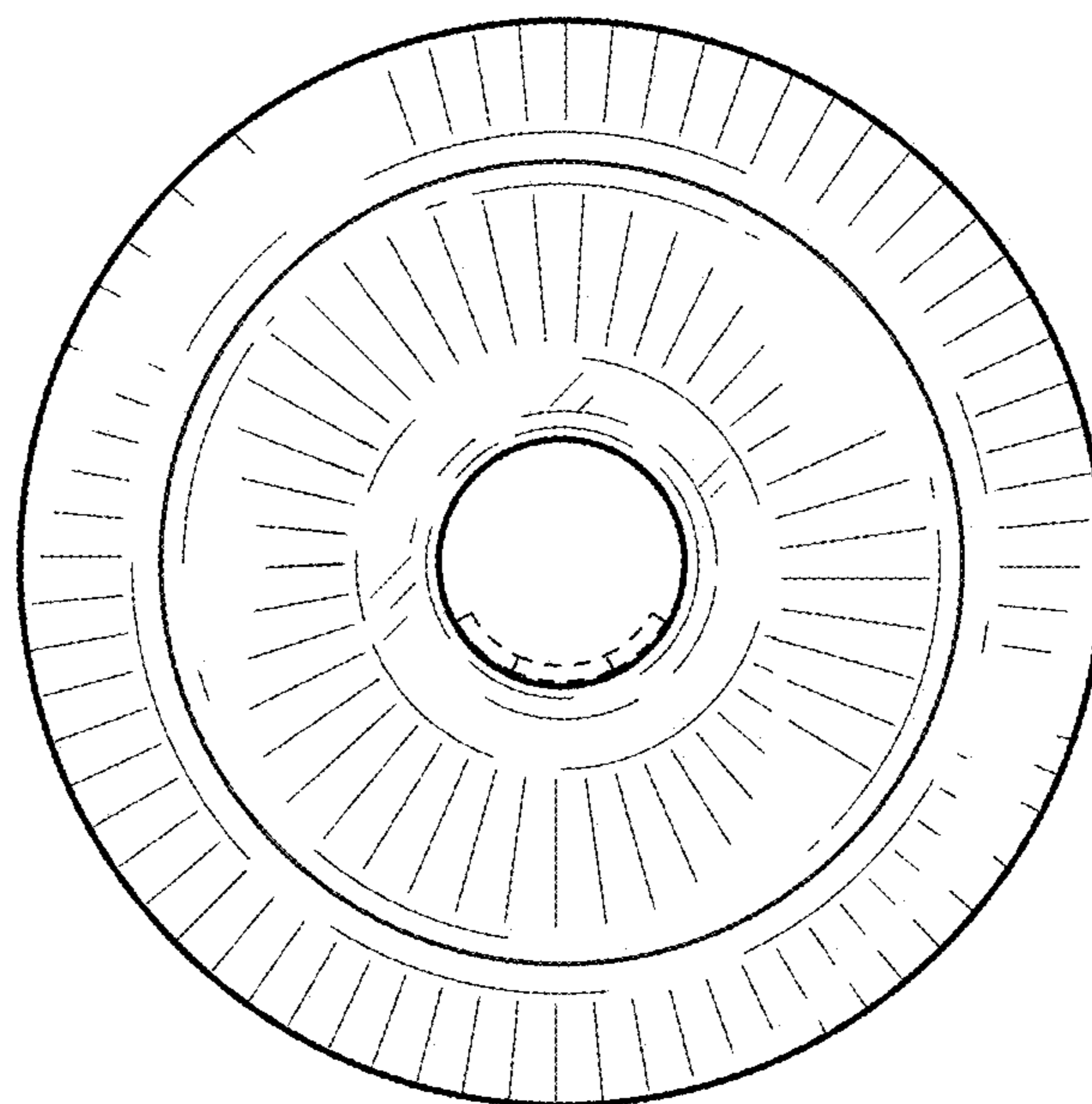


FIG. 2

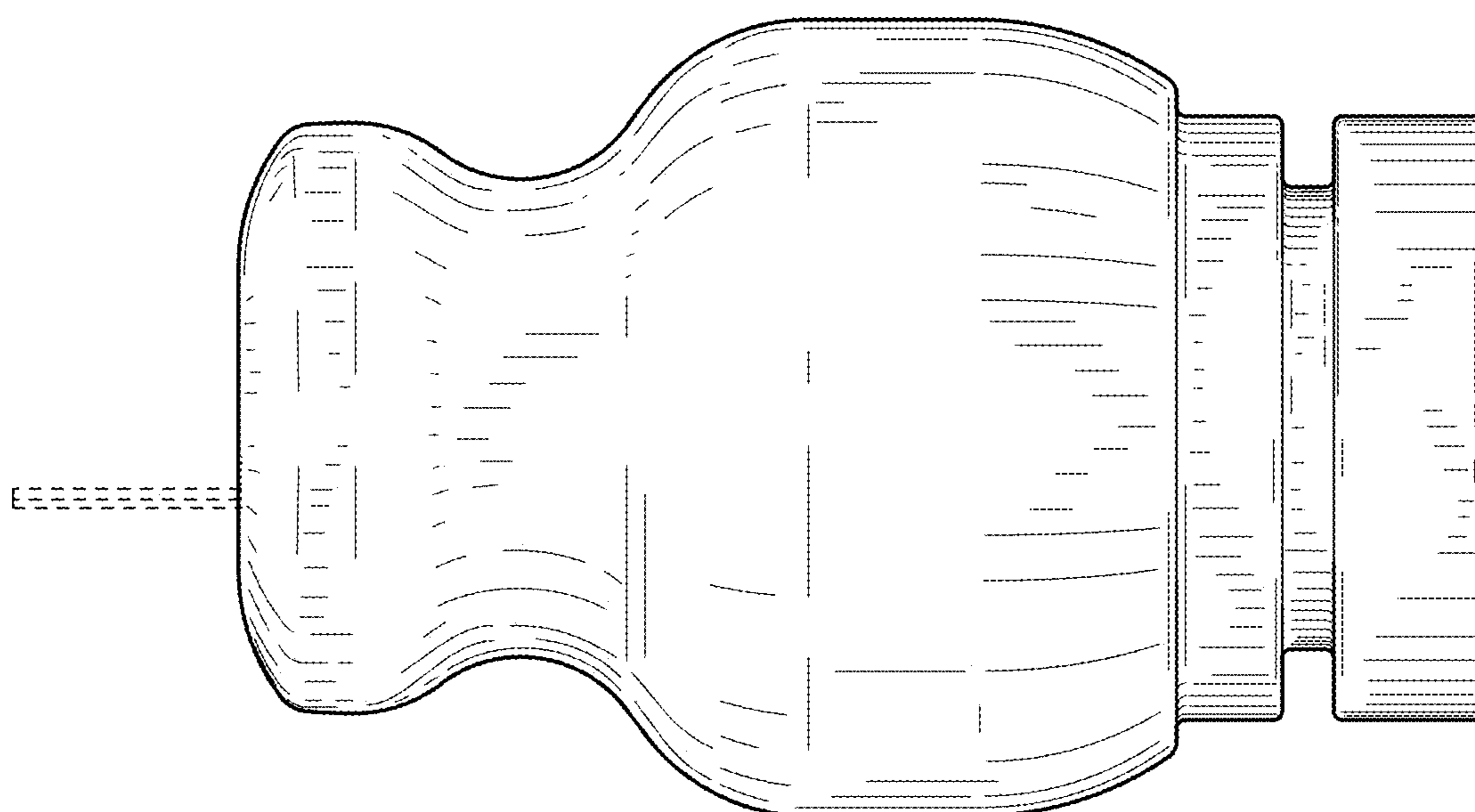


FIG. 3

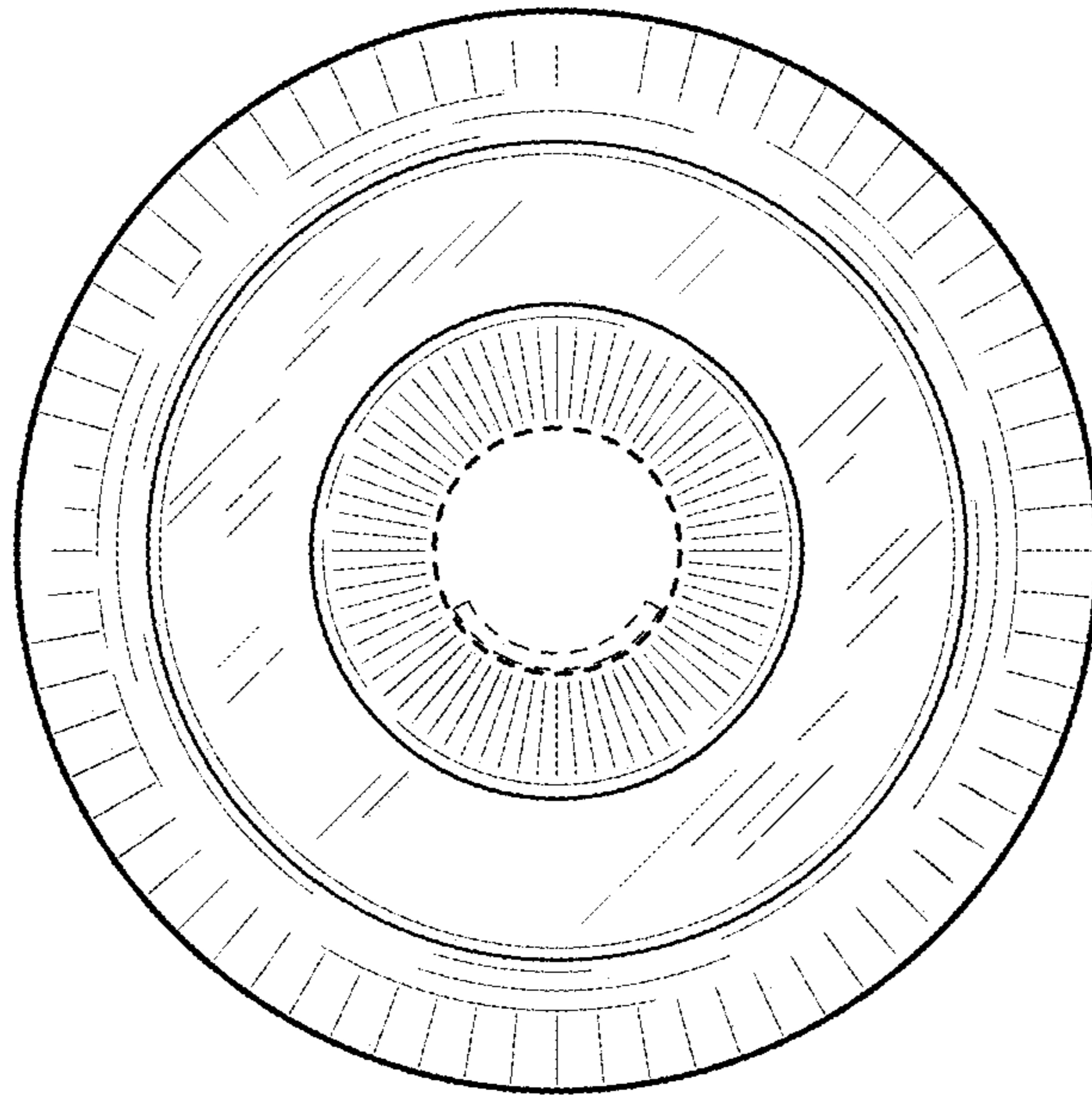


FIG. 4

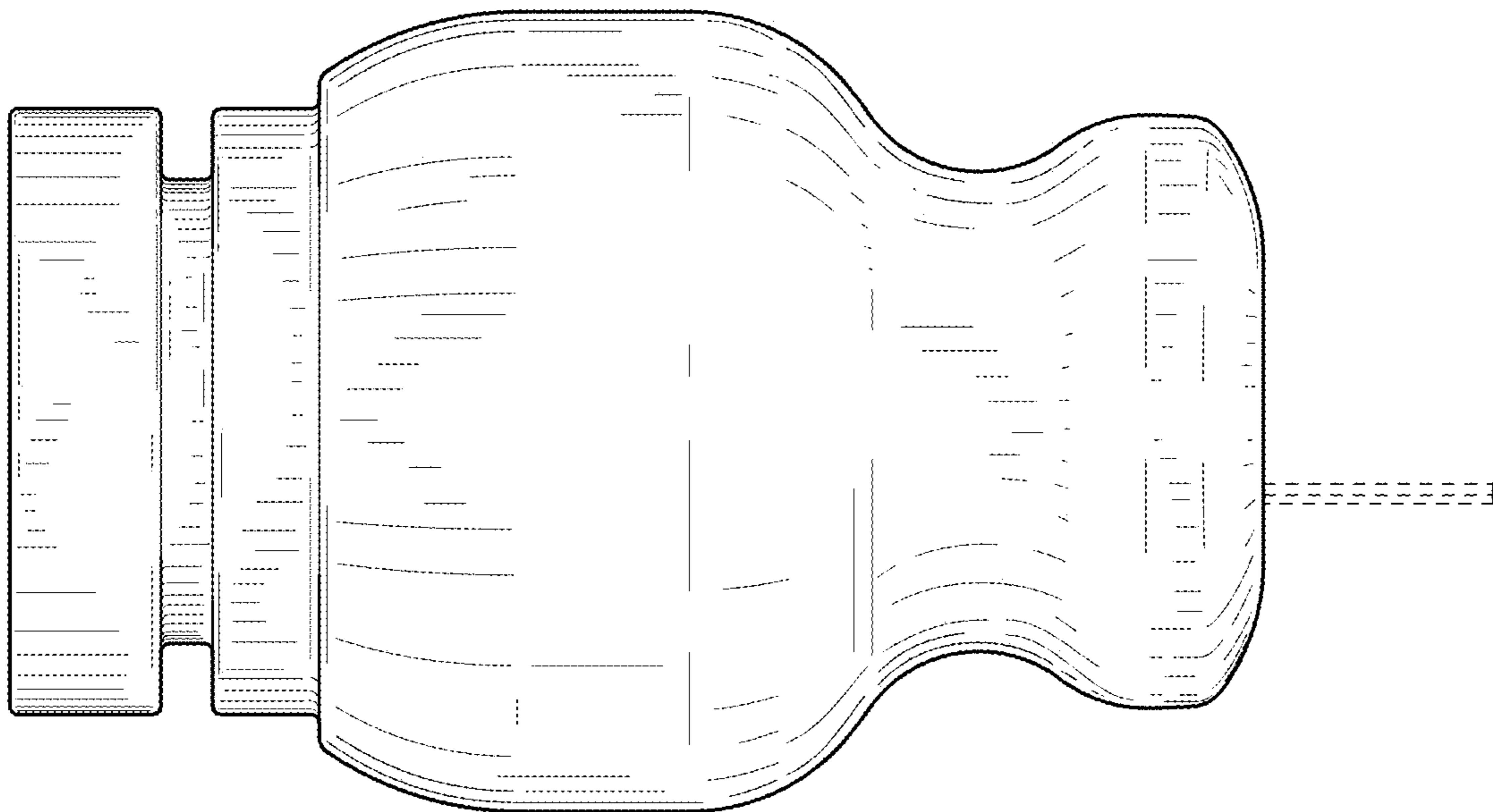


FIG. 5

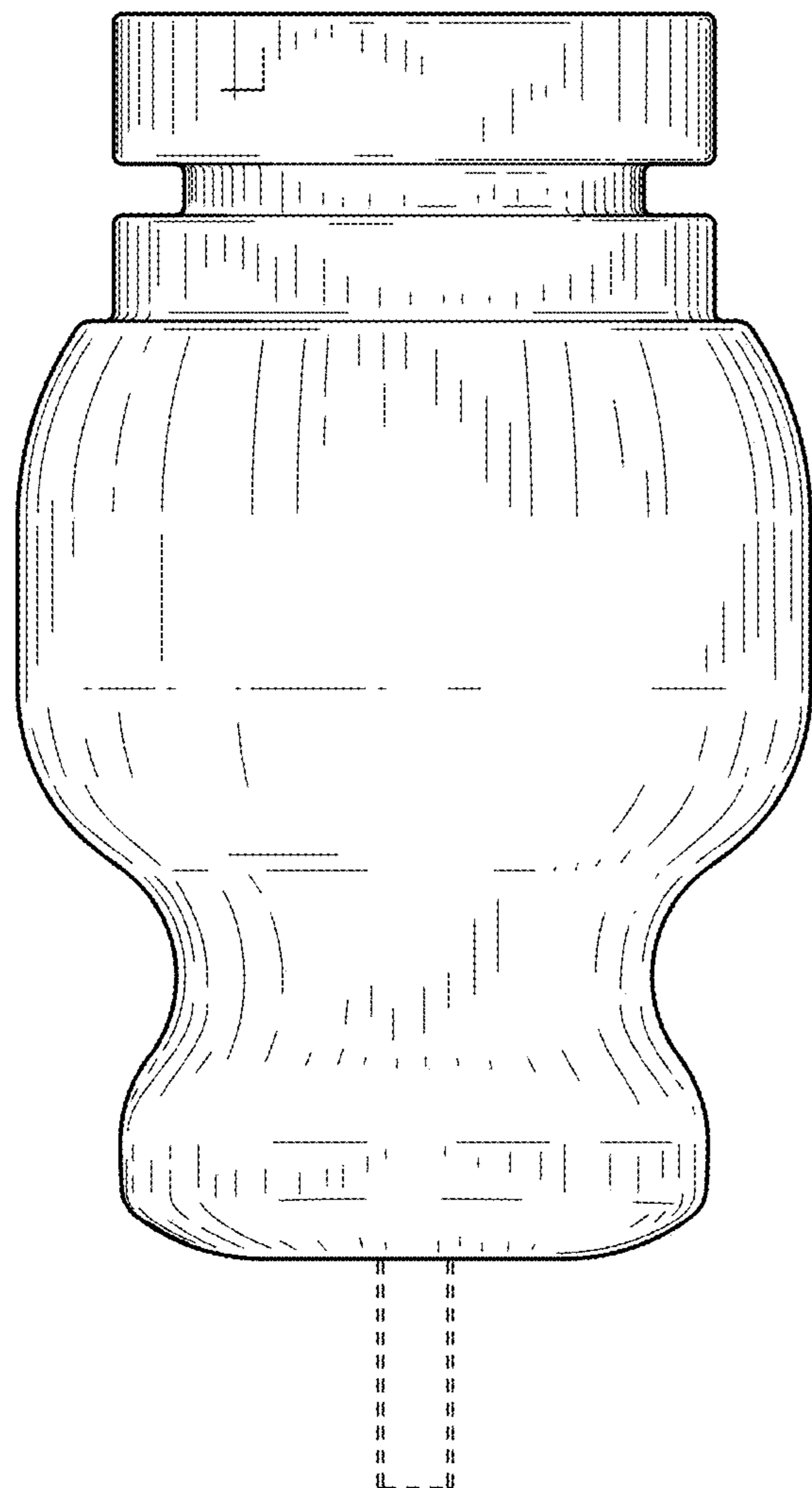
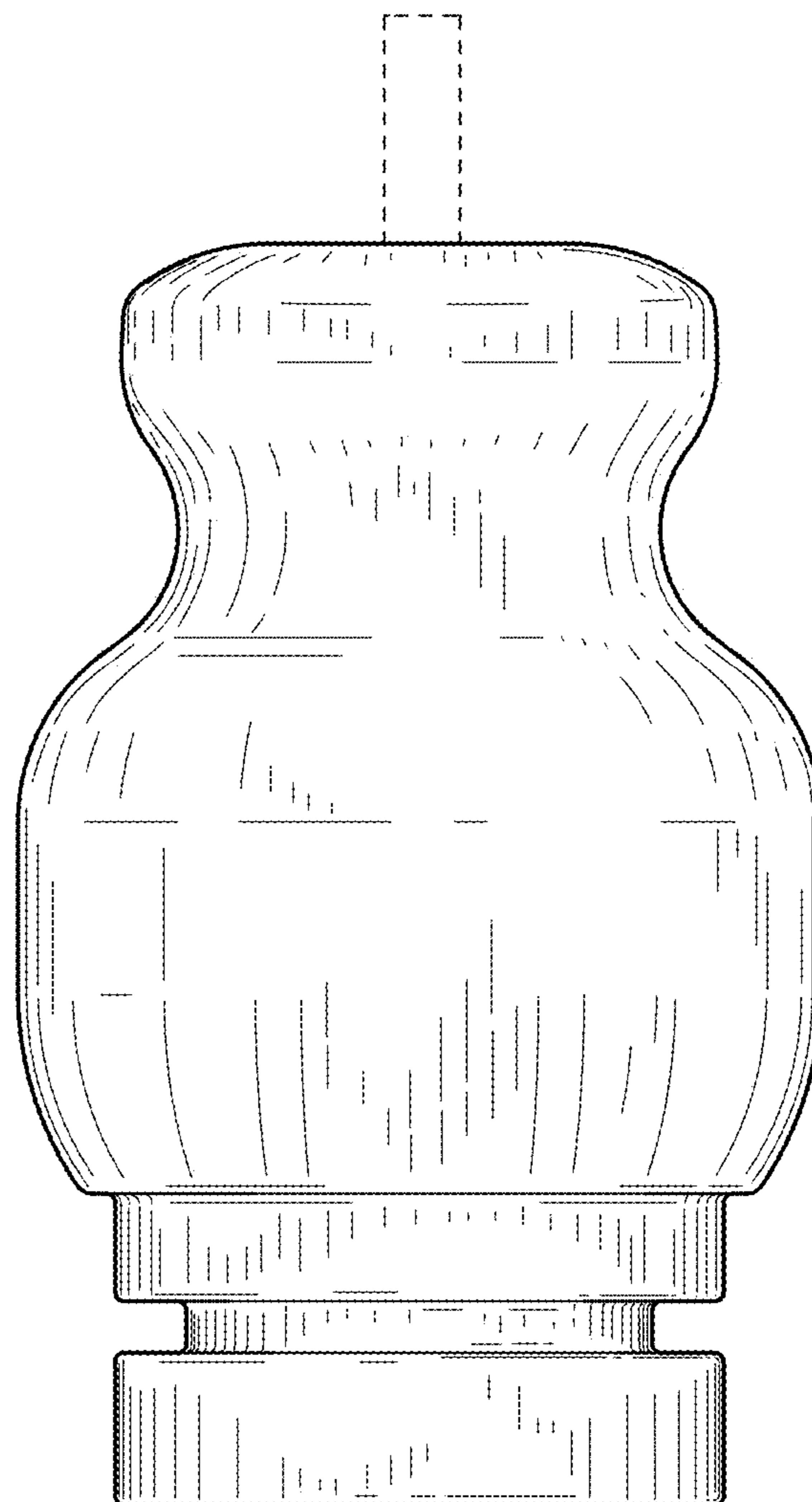


FIG. 7

FIG. 6



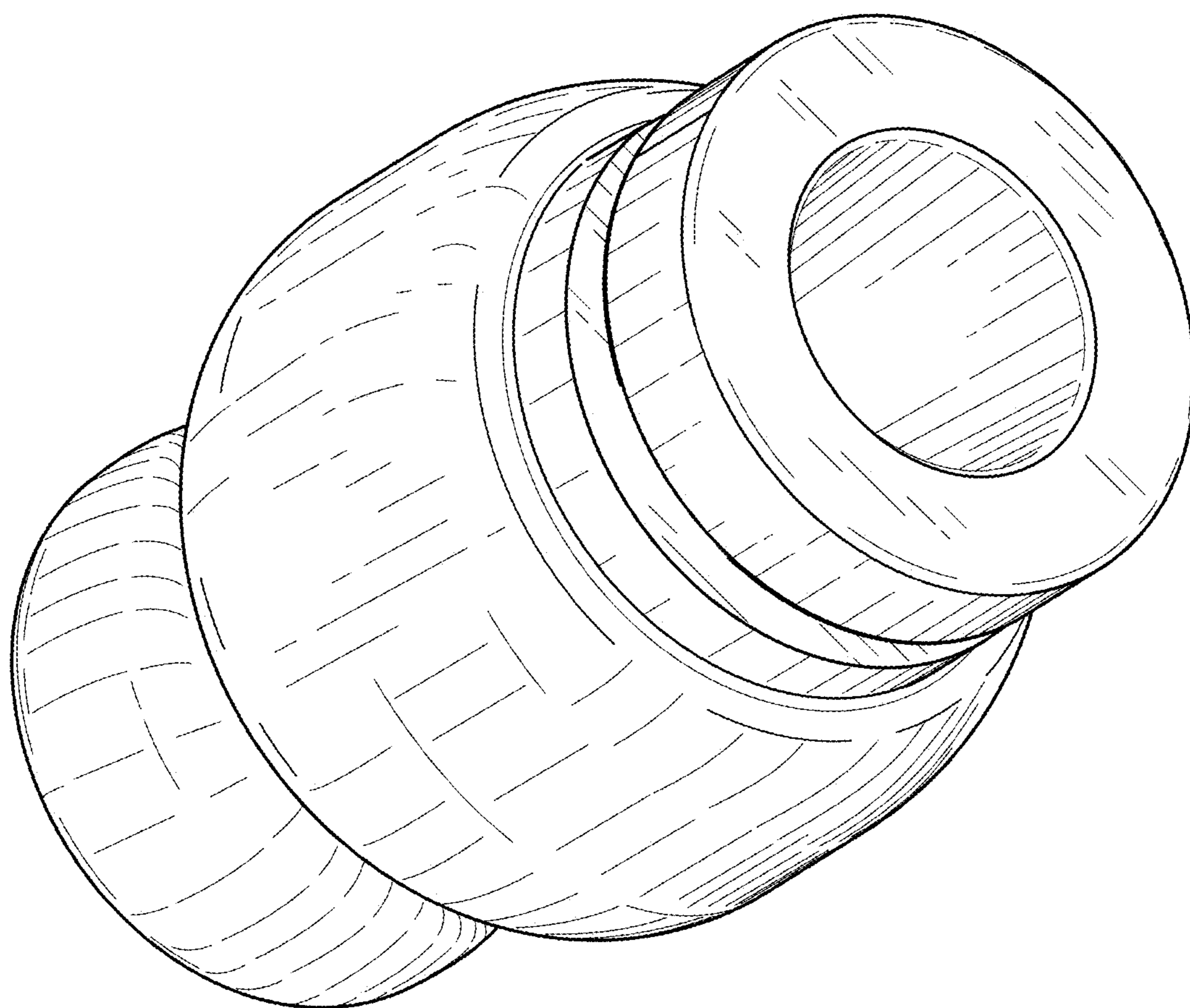


FIG. 8