



US00D926015S

(12) **United States Design Patent**
Bublitz et al.

(10) **Patent No.:** **US D926,015 S**
(45) **Date of Patent:** **** Jul. 27, 2021**

(54) **SOLDERING TOOL GRIP**

- (71) Applicant: **APEX BRANDS, INC.**, Apex, NC (US)
- (72) Inventors: **Scott Daniel Bublitz**, Denver, NC (US); **Ralf Zerweck**, Bönnigheim (DE); **Bernhard Eigen**, Murr (DE)
- (73) Assignee: **APEX BRANDS, INC.**, Apex, NC (US)
- (**) Term: **15 Years**
- (21) Appl. No.: **29/661,603**
- (22) Filed: **Aug. 29, 2018**
- (51) **LOC (13) Cl.** **08-06**
- (52) **U.S. Cl.**
USPC **D8/303**
- (58) **Field of Classification Search**
USPC D8/107, 300, 303, 307, 310, 321, 322;
D23/250–254; D7/393, 394, 395, 396
(Continued)

(56) **References Cited**

U.S. PATENT DOCUMENTS

- D324,473 S * 3/1992 Chen D8/80
 - D352,443 S * 11/1994 Chen D8/303
- (Continued)

Primary Examiner — Lauren R Calve

(74) *Attorney, Agent, or Firm* — Burr & Forman, LLP

(57) **CLAIM**

The ornamental design for a soldering tool grip, as shown and described.

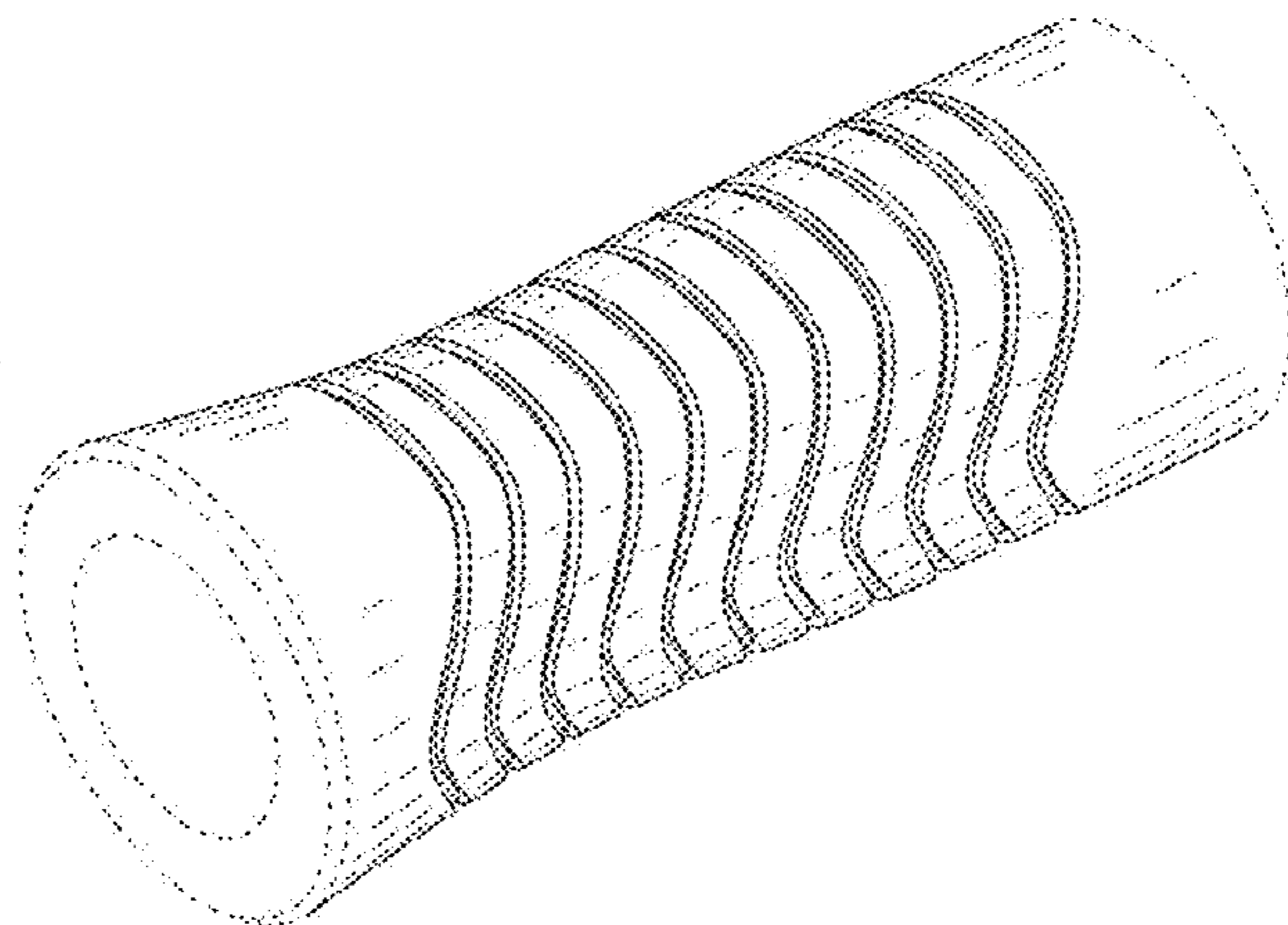
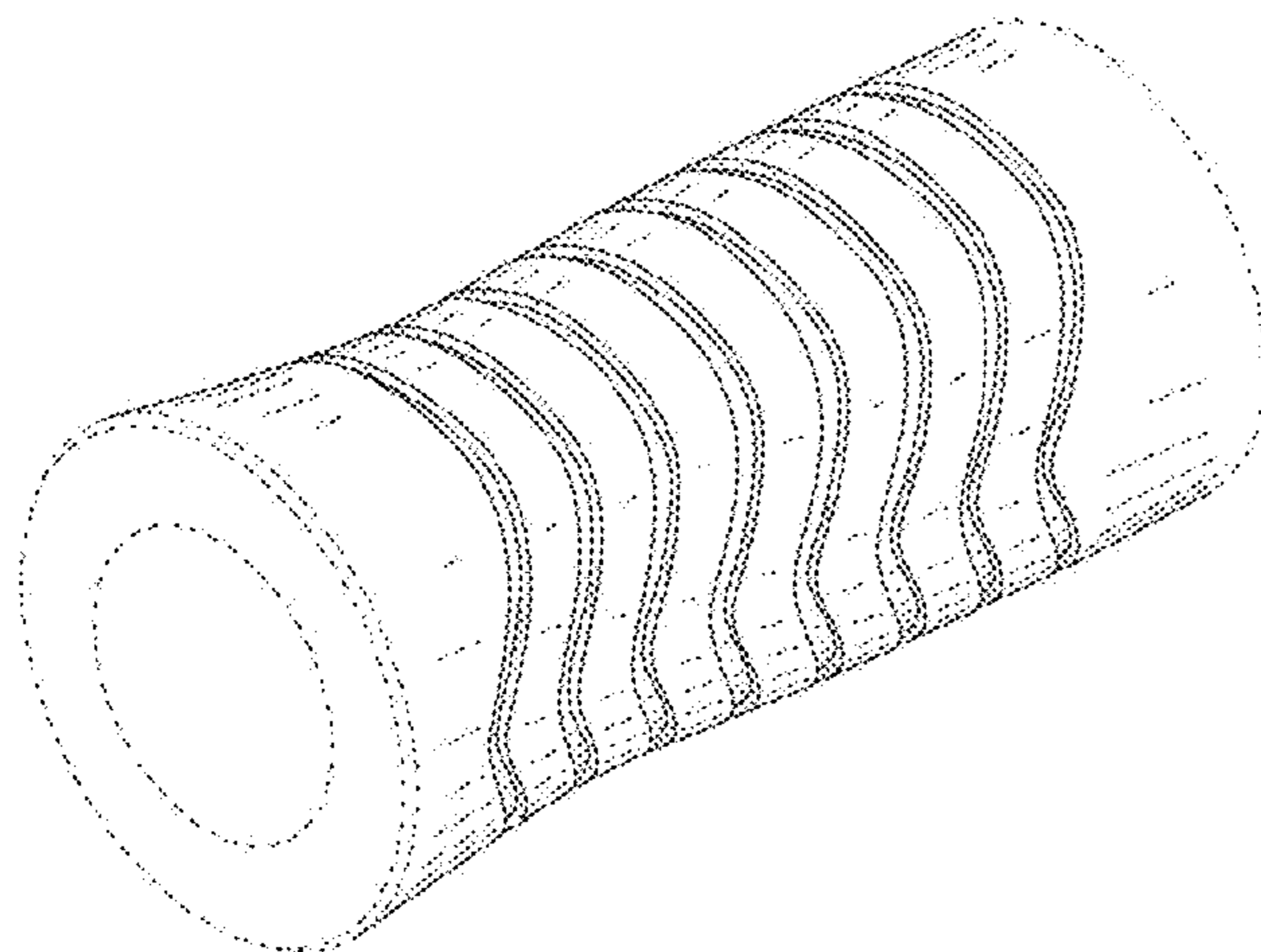
DESCRIPTION

FIG. 1 is a perspective view of a soldering tool grip according to a first embodiment;

FIG. 2 is a top view of the soldering tool grip of FIG. 1; FIG. 3 is a bottom view of the soldering tool grip of FIG. 1; FIG. 4 is a left side view of the soldering tool grip of FIG. 1; FIG. 5 is a right side view of the soldering tool grip of FIG. 1; FIG. 6 is a front view of the soldering tool grip of FIG. 1; FIG. 7 is a rear view of the soldering tool grip of FIG. 1; FIG. 8 is a perspective view of a soldering tool grip of FIG. 1 shown in use on a soldering tool; FIG. 9 is a perspective view of a soldering tool grip according to a second embodiment; FIG. 10 is a top view of the soldering tool grip of FIG. 9; FIG. 11 is a bottom view of the soldering tool grip of FIG. 9; FIG. 12 is a left side view of the soldering tool grip of FIG. 9; FIG. 13 is a right side view of the soldering tool grip of FIG. 9; FIG. 14 is a front view of the soldering tool grip of FIG. 9; FIG. 15 is a rear view of the soldering tool grip of FIG. 9; FIG. 16 is a perspective view of a soldering tool grip of FIG. 9 shown in use on a soldering tool; FIG. 17 is a perspective view of a soldering tool grip according to a third embodiment; FIG. 18 is a top view of soldering tool grip of FIG. 17; FIG. 19 is a bottom view of soldering tool grip of FIG. 17; FIG. 20 is a left side view of soldering tool grip of FIG. 17; FIG. 21 is a right side view of soldering tool grip of FIG. 17; FIG. 22 is a front view of soldering tool grip of FIG. 17; FIG. 23 is a rear view of soldering tool grip of FIG. 17; and, FIG. 24 is a perspective view of a soldering tool grip of FIG. 17 shown in use on a soldering tool.

The broken lines shown represent environmental subject matter and portions of the soldering tool grip that form no part of the claimed design.

1 Claim, 15 Drawing Sheets



(58) **Field of Classification Search**

CPC Y10T 16/469; Y10T 16/44; Y10T 16/466;
Y10T 16/4713; Y10T 16/459; Y10T
74/20828; Y10T 29/49826; Y10T
74/20732; Y10T 16/4559; Y10T
74/20864; Y10T 74/20822; A46B 5/026;
A46B 2200/302; A46B 5/021; A47L
13/022; A47L 1/06; A47L 13/20; A47L
11/4075; B25G 1/10; B25G 1/00; B25G
3/04; B25G 3/00; Y10S 16/12; Y10S
16/19; Y10S 16/41; Y10S 16/90; Y10S
16/40

See application file for complete search history.

(56) **References Cited**

U.S. PATENT DOCUMENTS

D381,887 S * 8/1997 Chen D8/300
D396,625 S * 8/1998 Vasudeva D8/107
D429,990 S * 8/2000 Kunkler D8/303
D651,056 S * 12/2011 Robinson D8/25
D657,652 S * 4/2012 Lin D8/303
D723,791 S * 3/2015 Headley D3/12
D807,134 S * 1/2018 Hughes D8/45
D886,314 S * 6/2020 Morris D24/211
2014/0338245 A1* 11/2014 Lanasa F41C 23/16
42/72
2019/0343713 A1* 11/2019 Boghosian A61H 15/0092

* cited by examiner

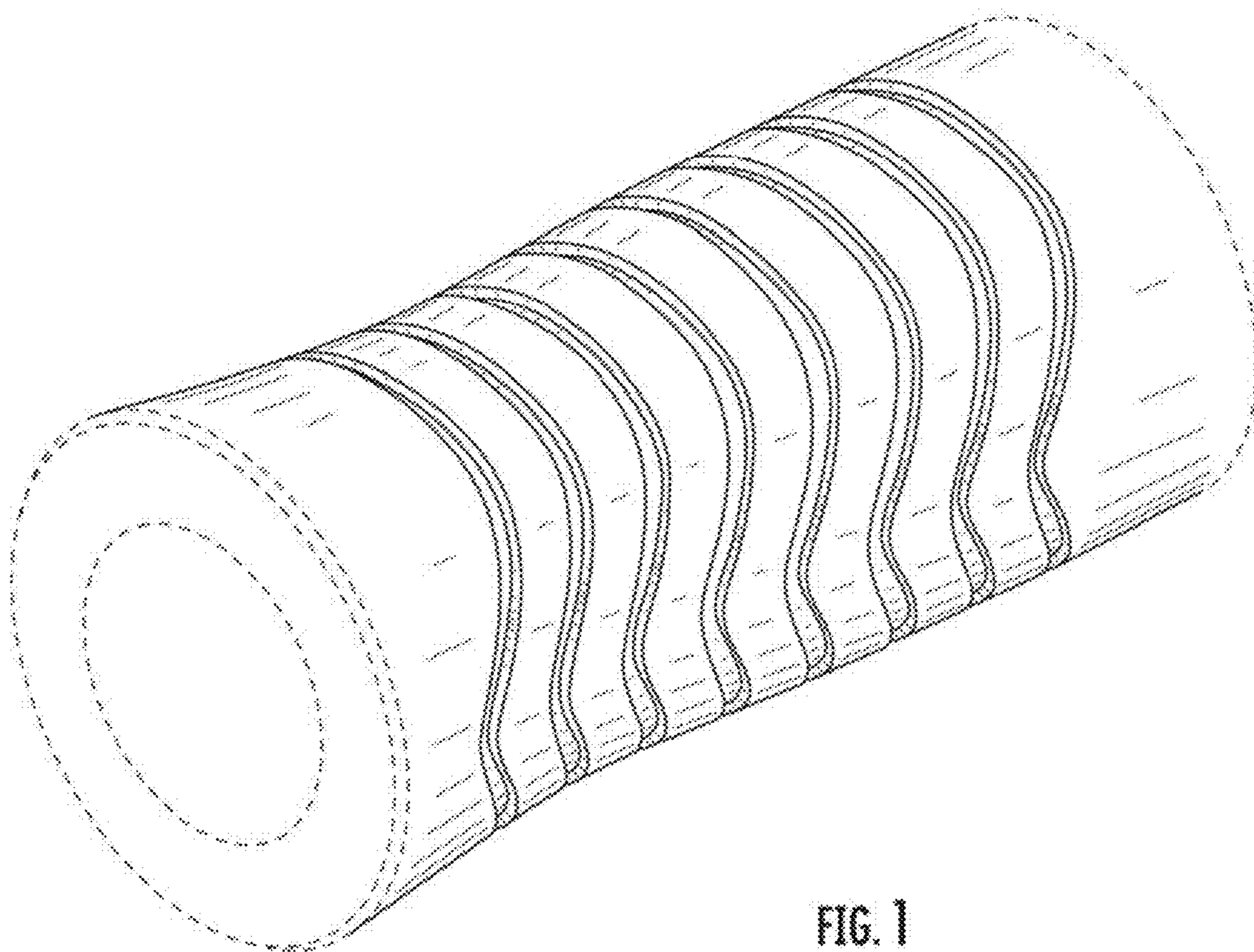


FIG. 1

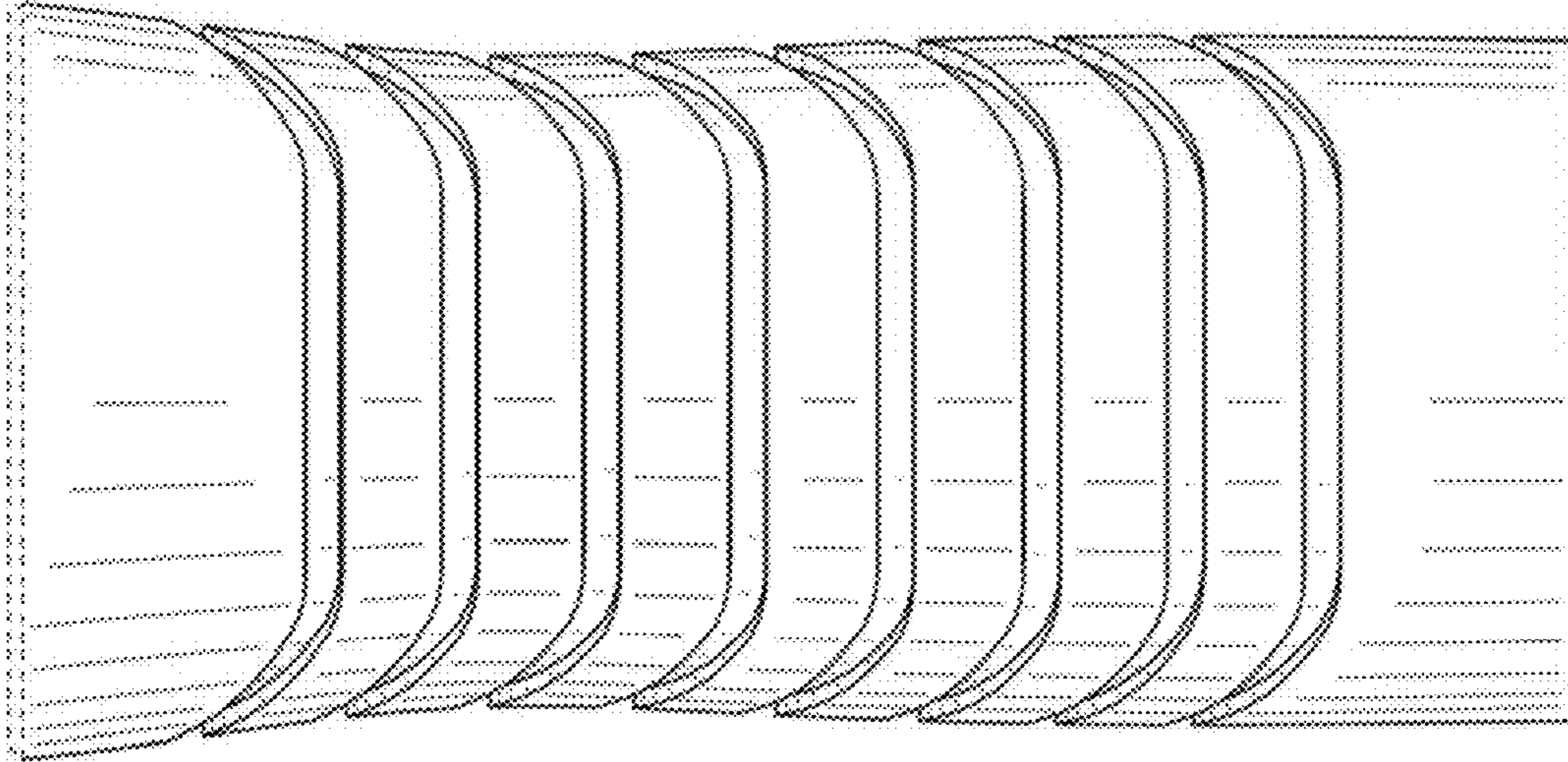


FIG. 2

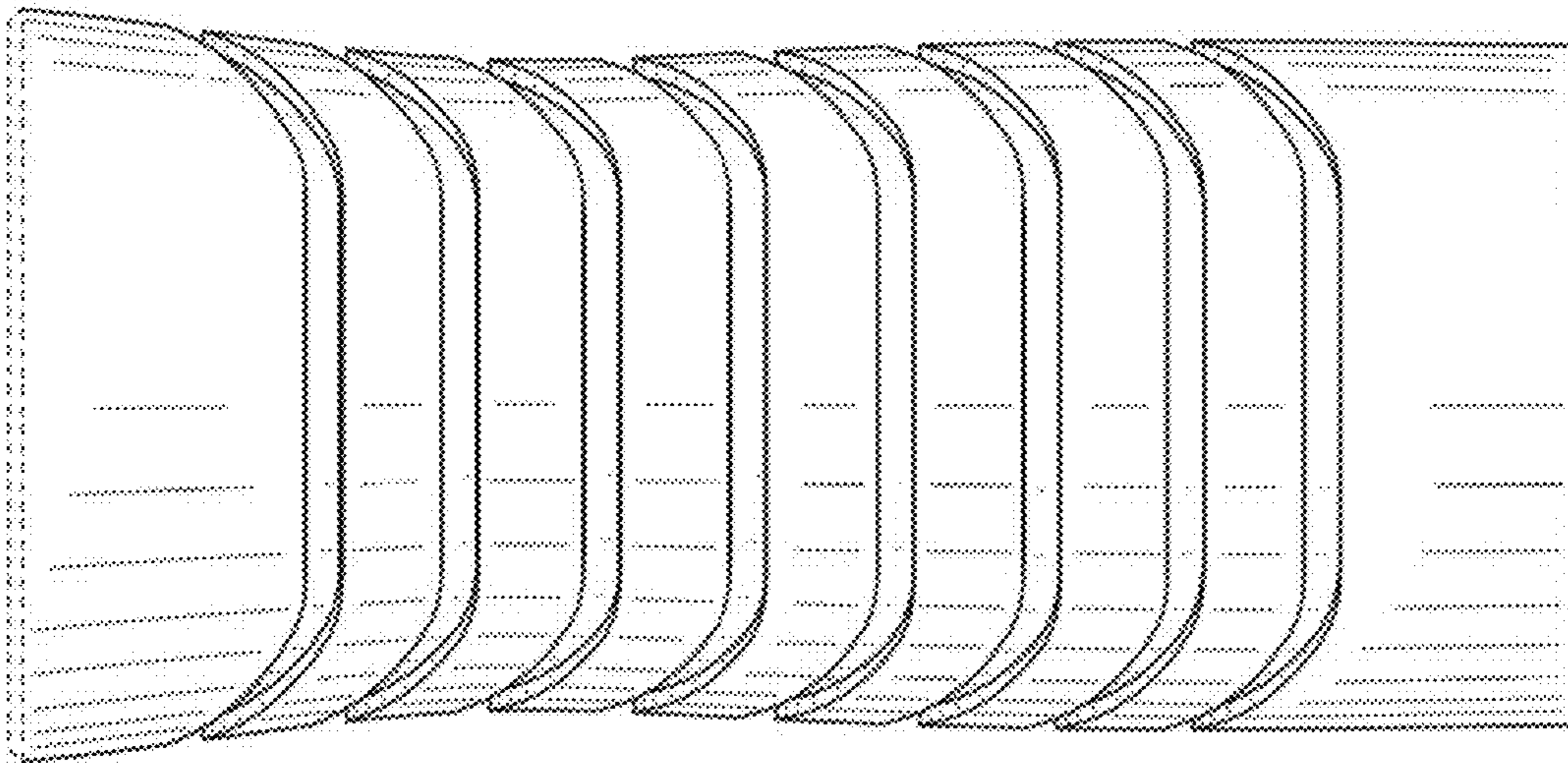


FIG. 3

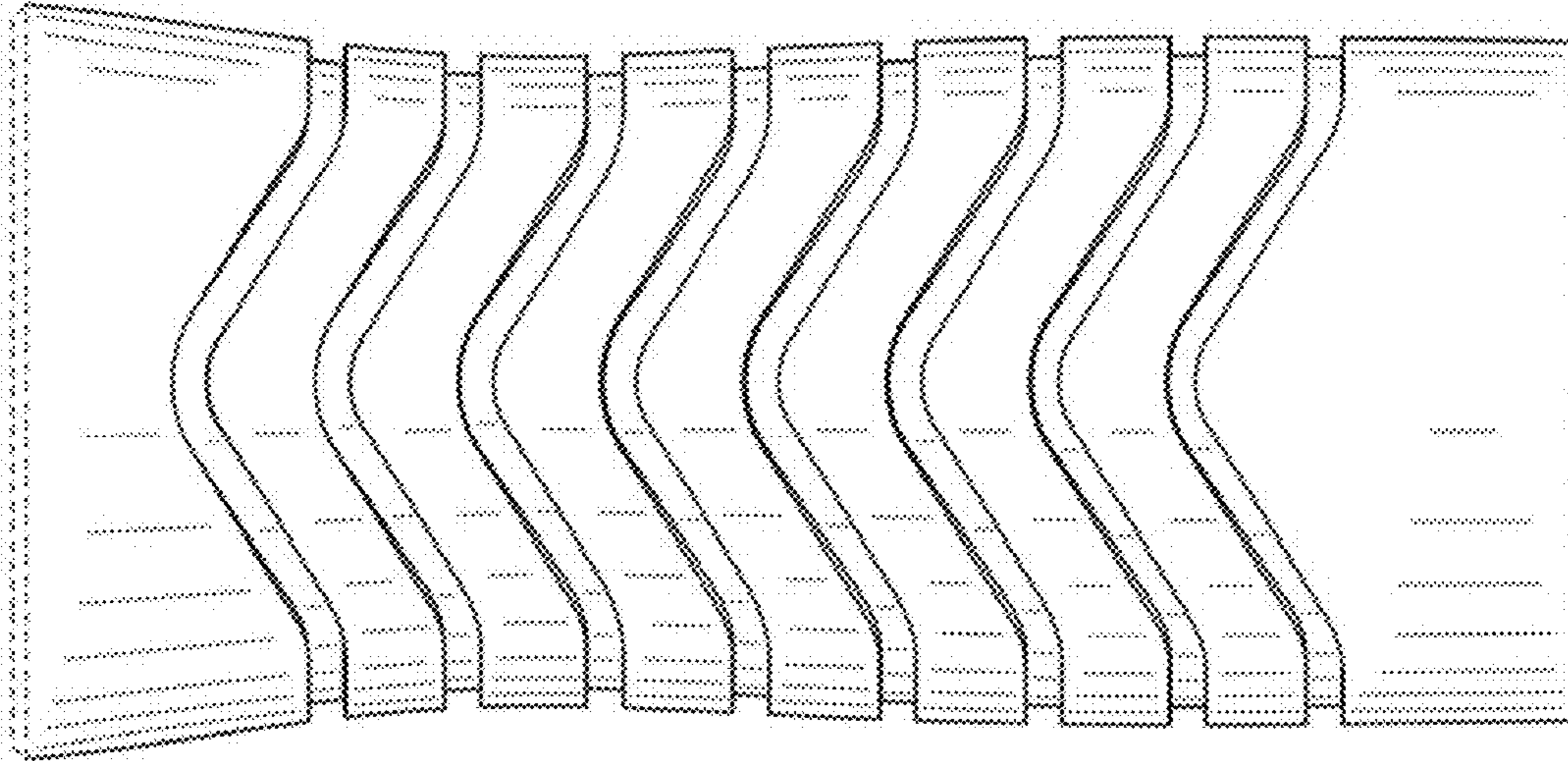


FIG. 4

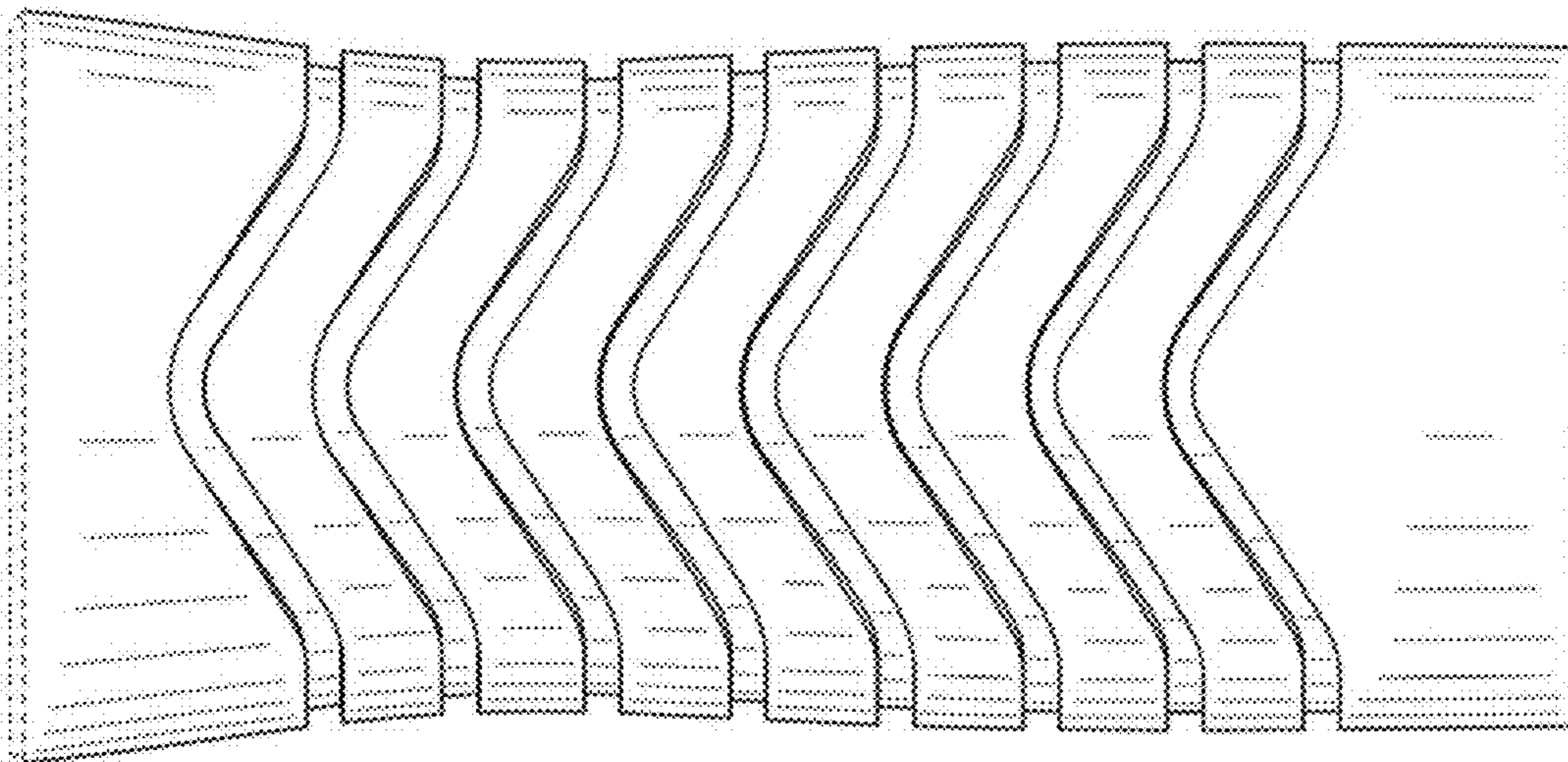


FIG. 5

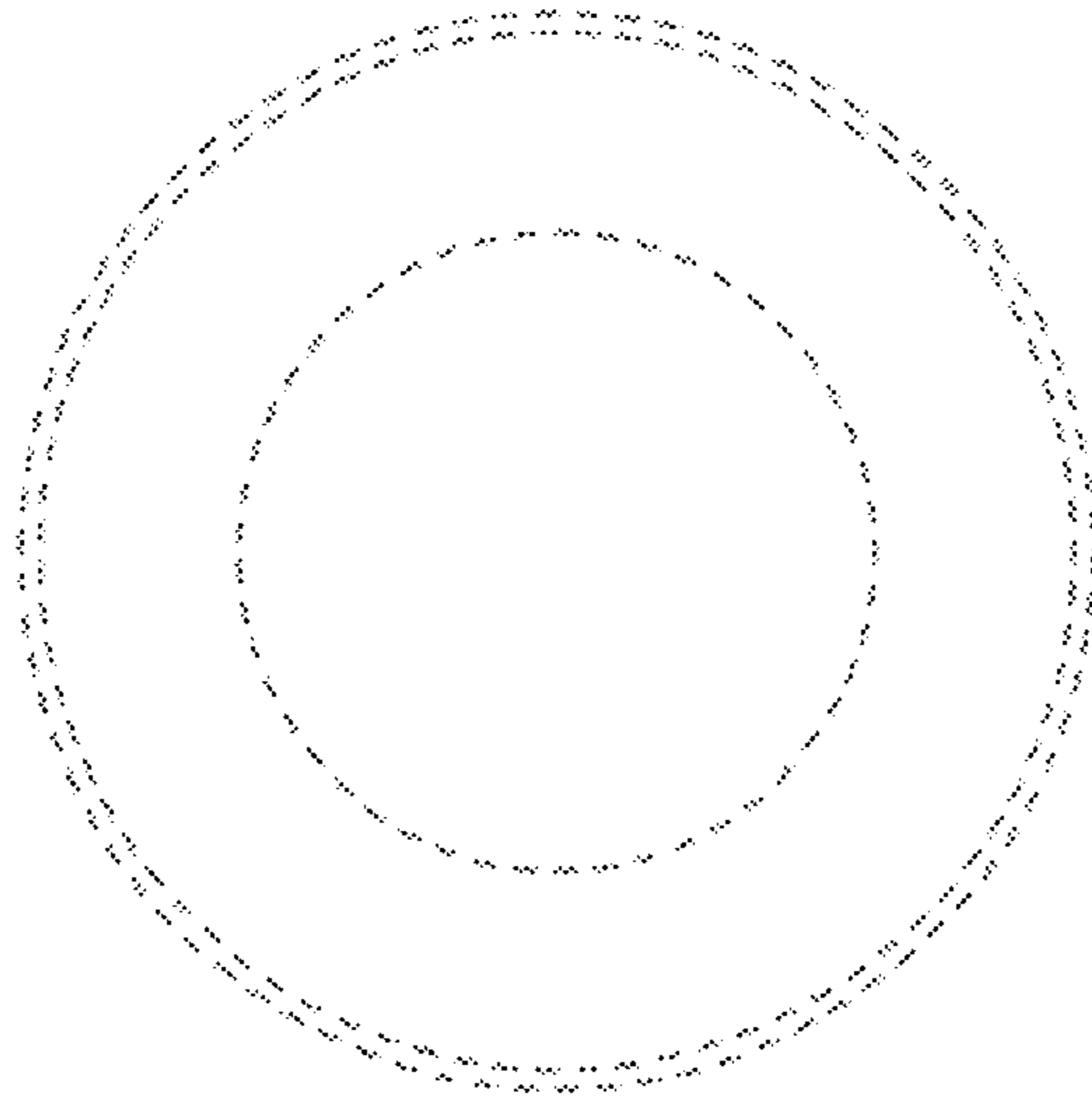


FIG. 6

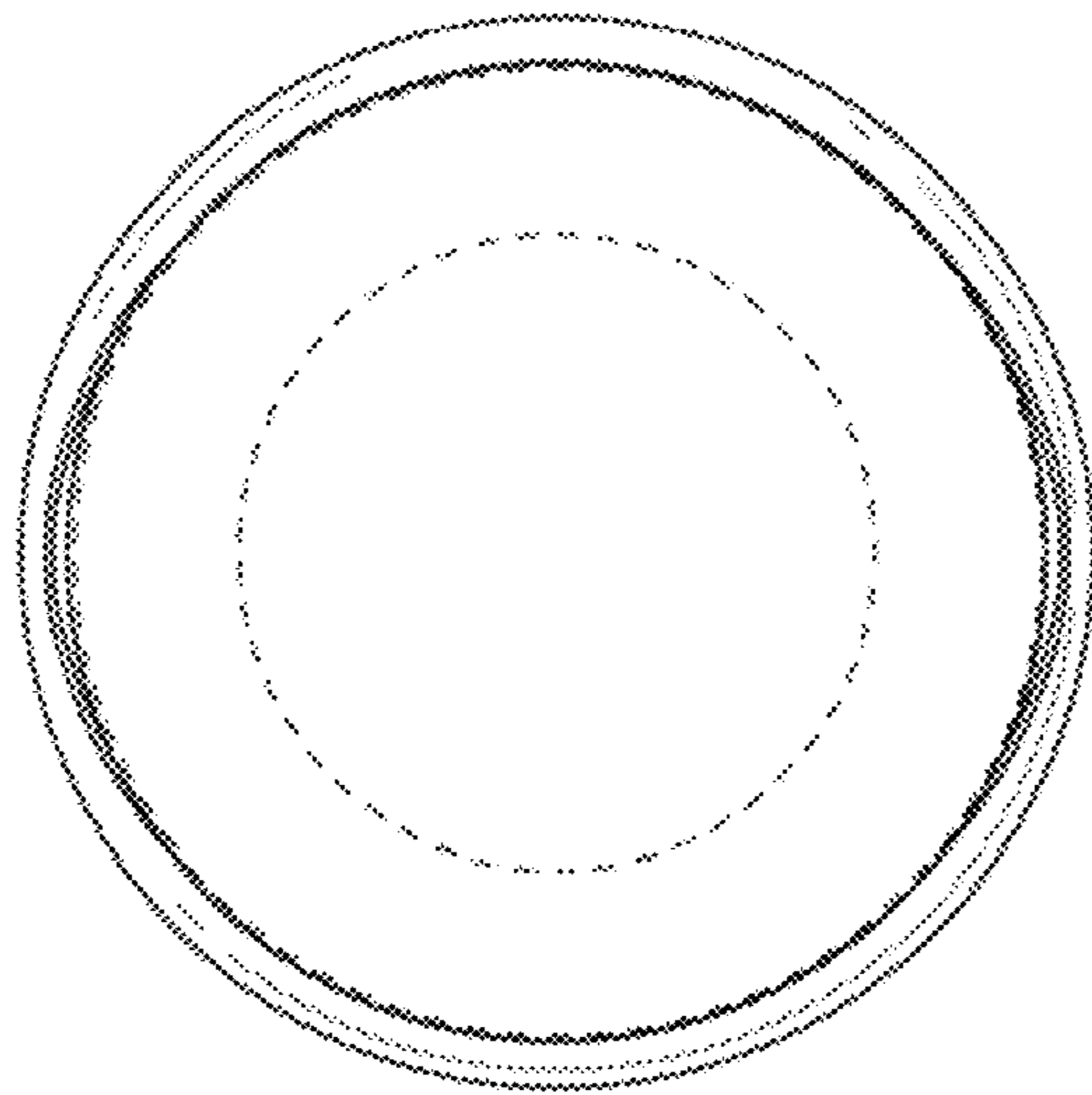


FIG. 7

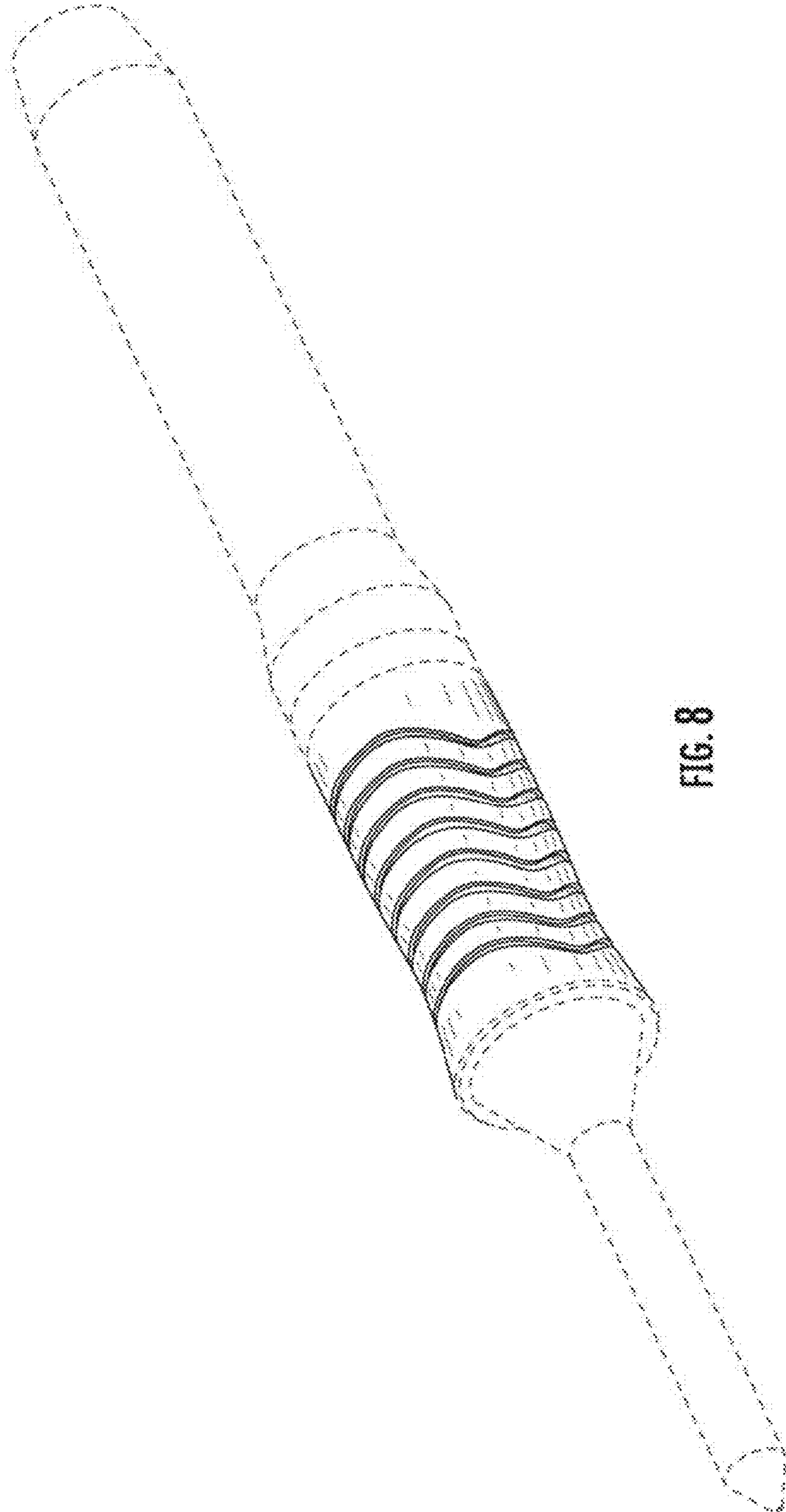


FIG. 8

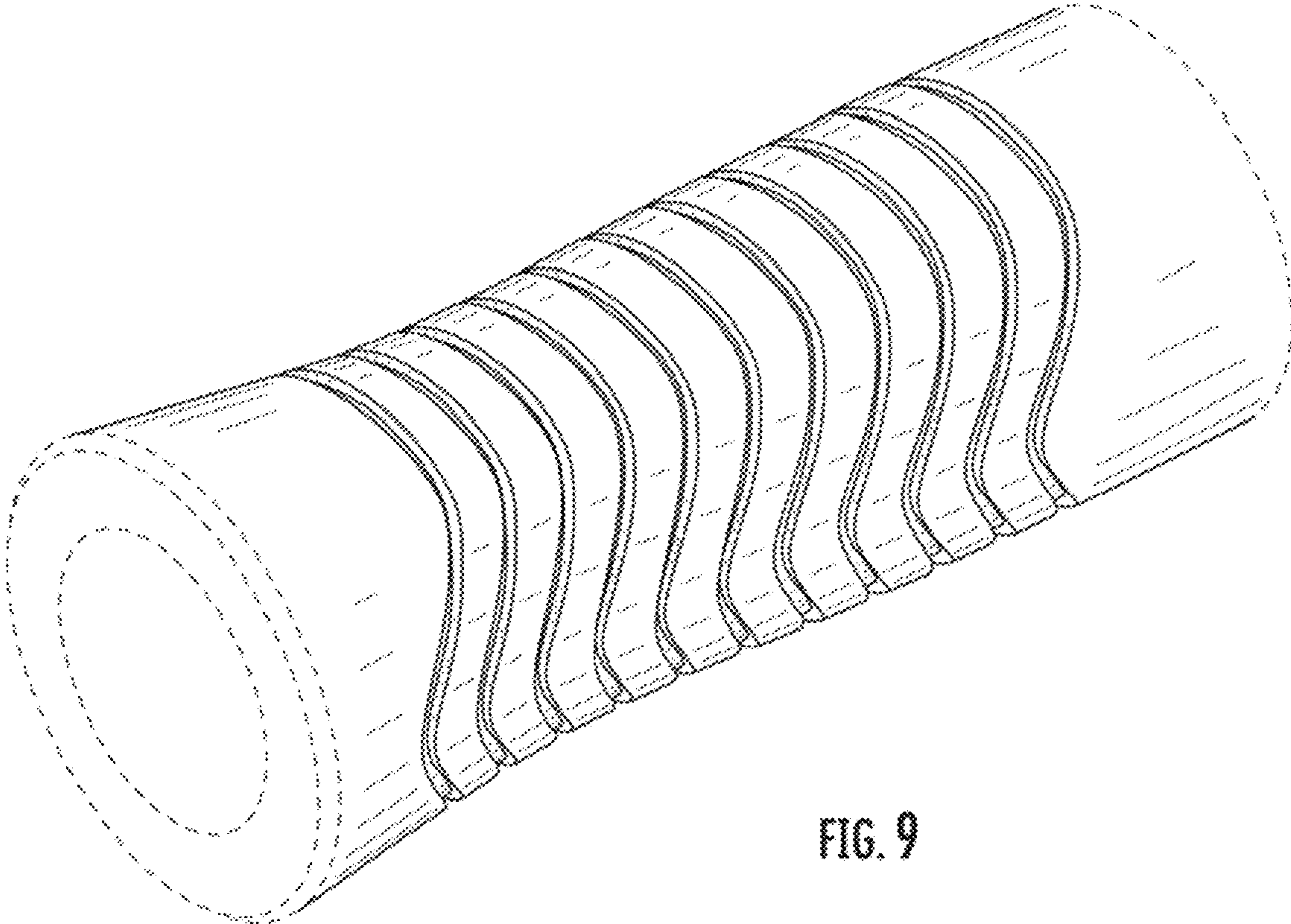


FIG. 9

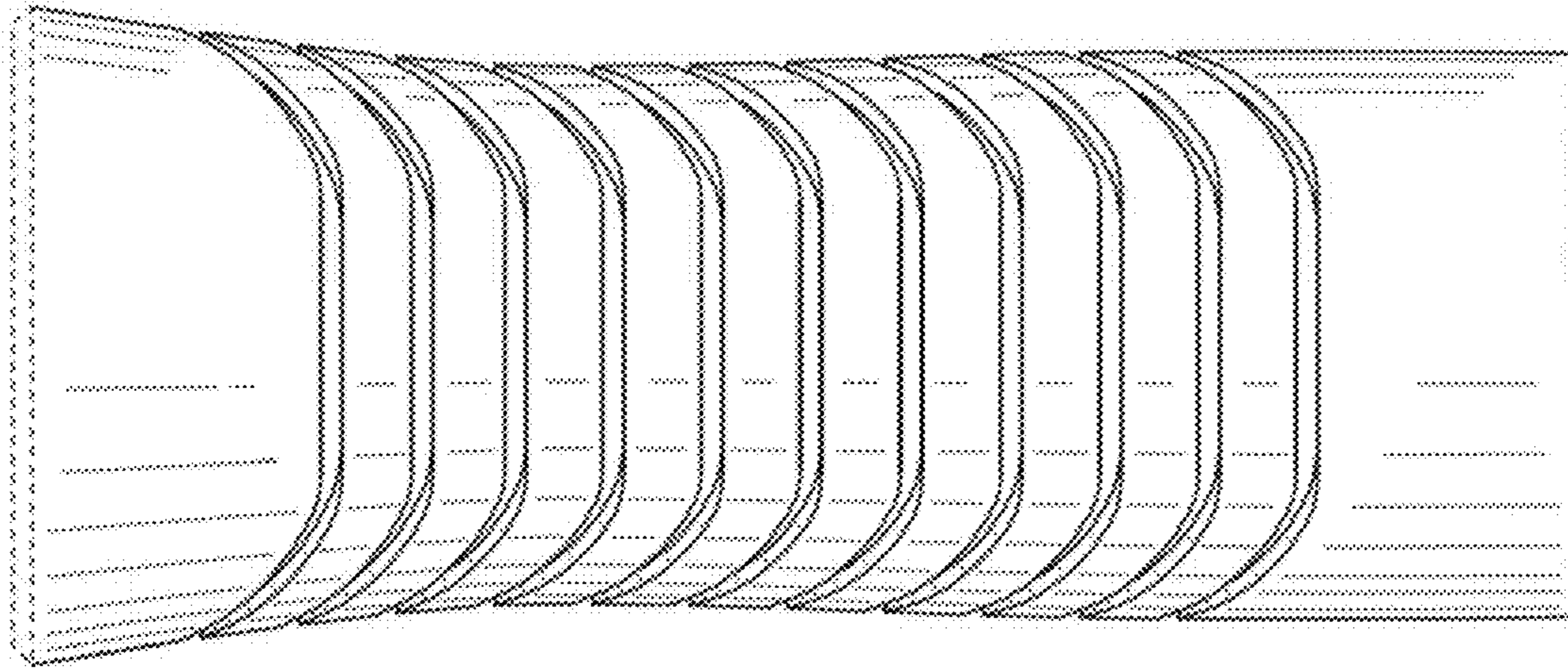


FIG. 10

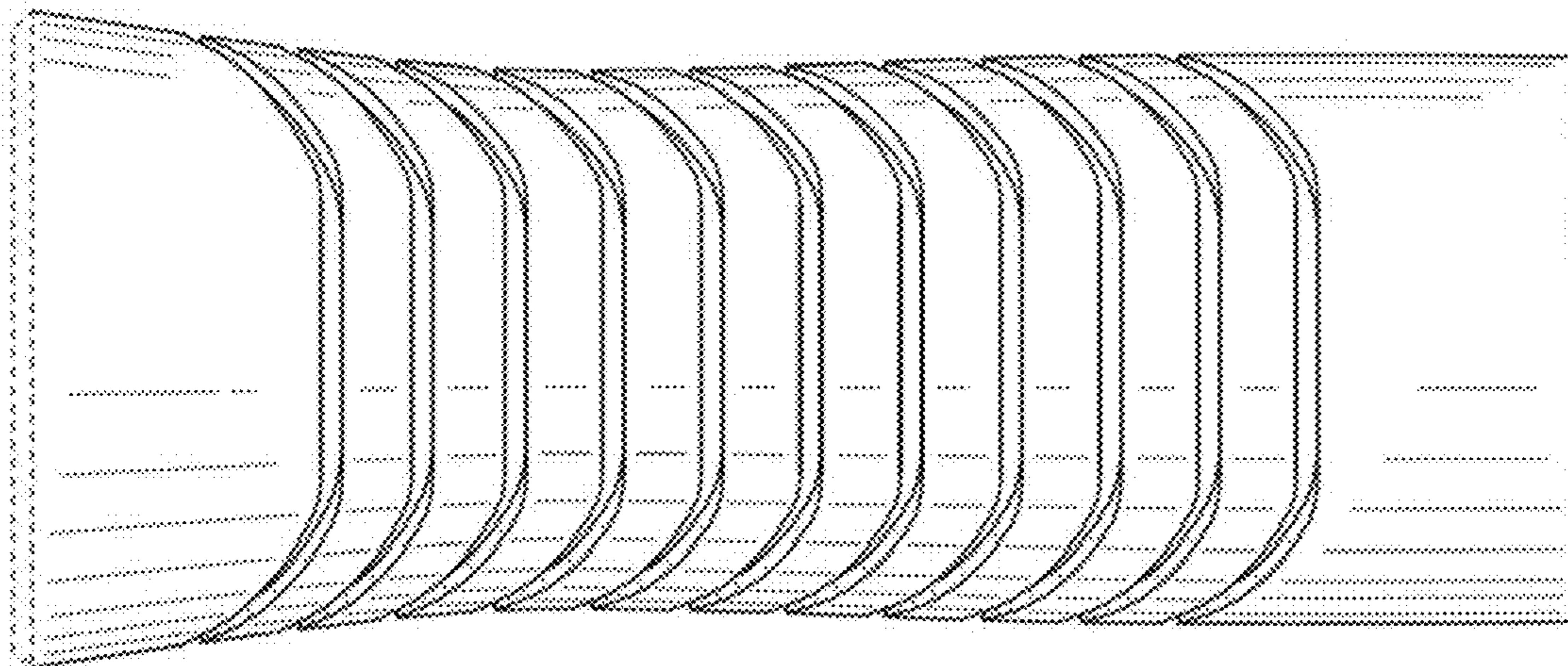


FIG. 11

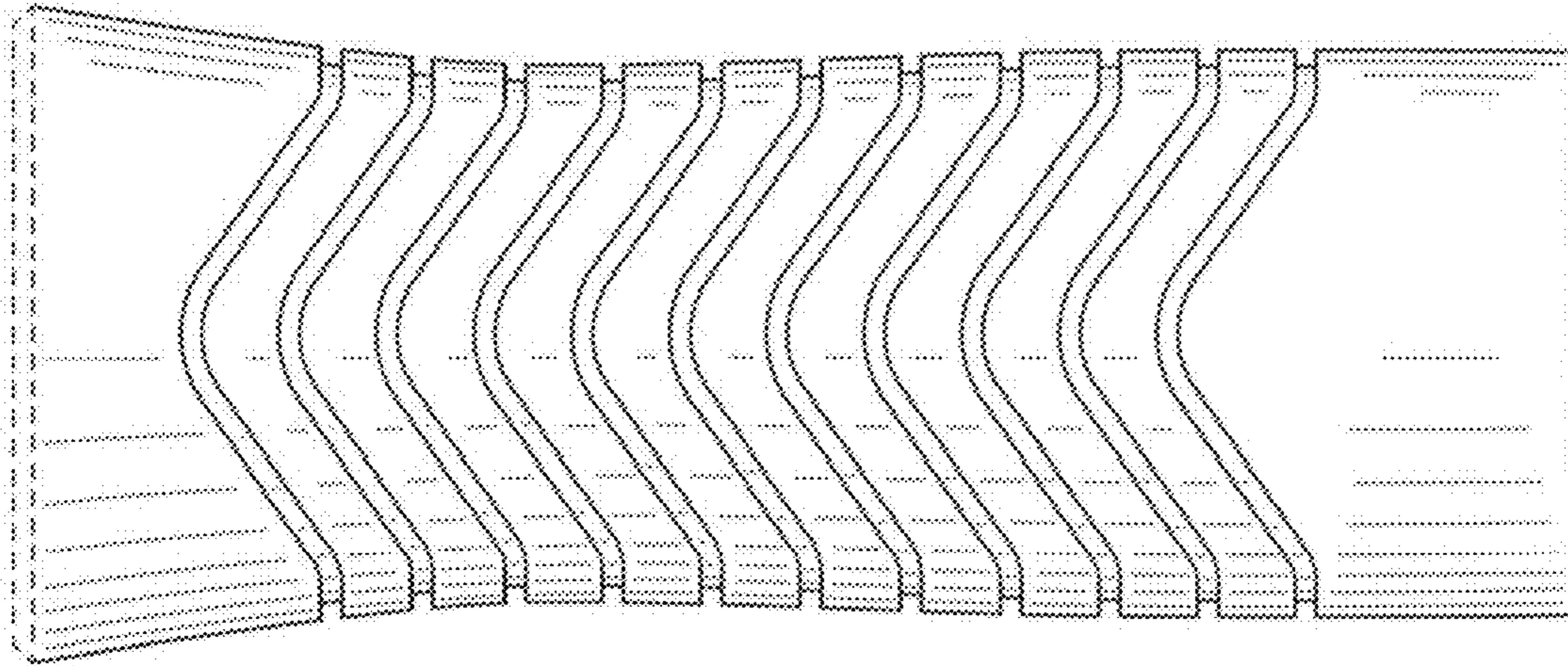


FIG. 12

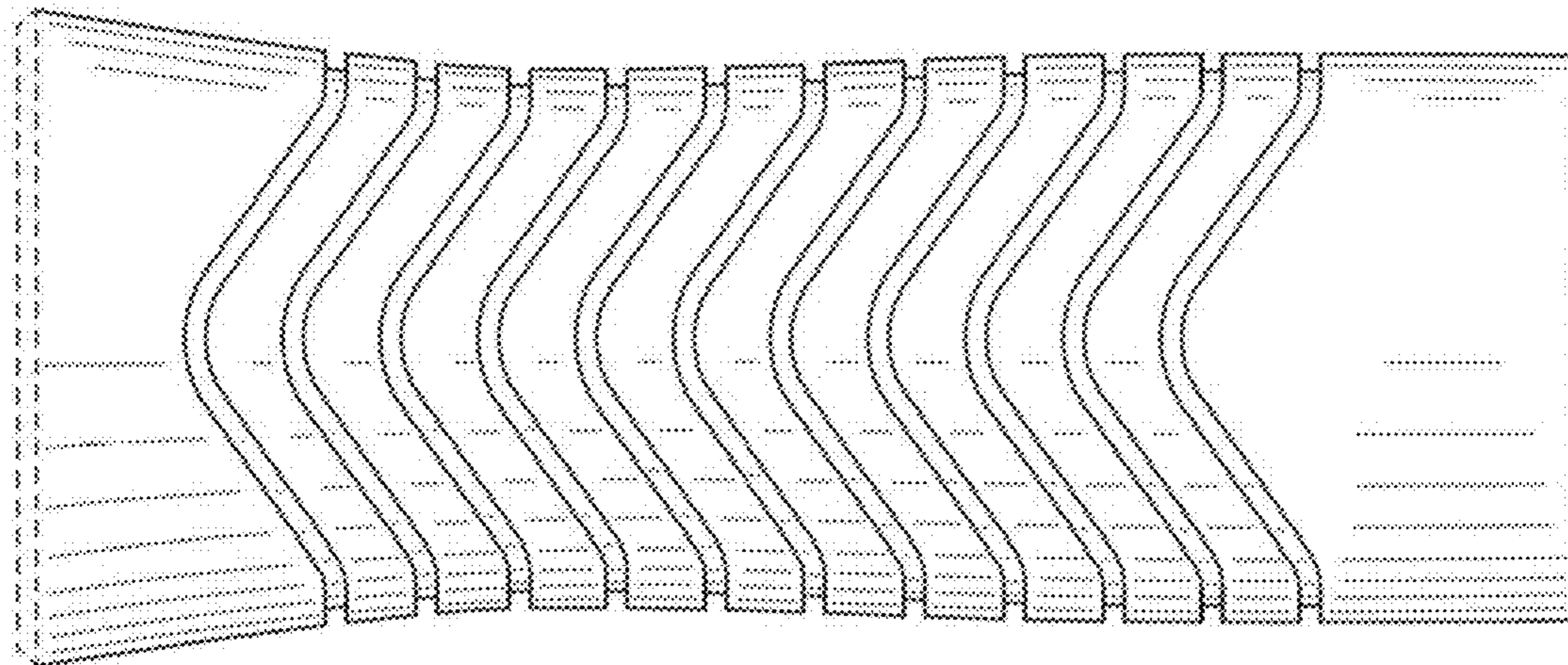


FIG. 13

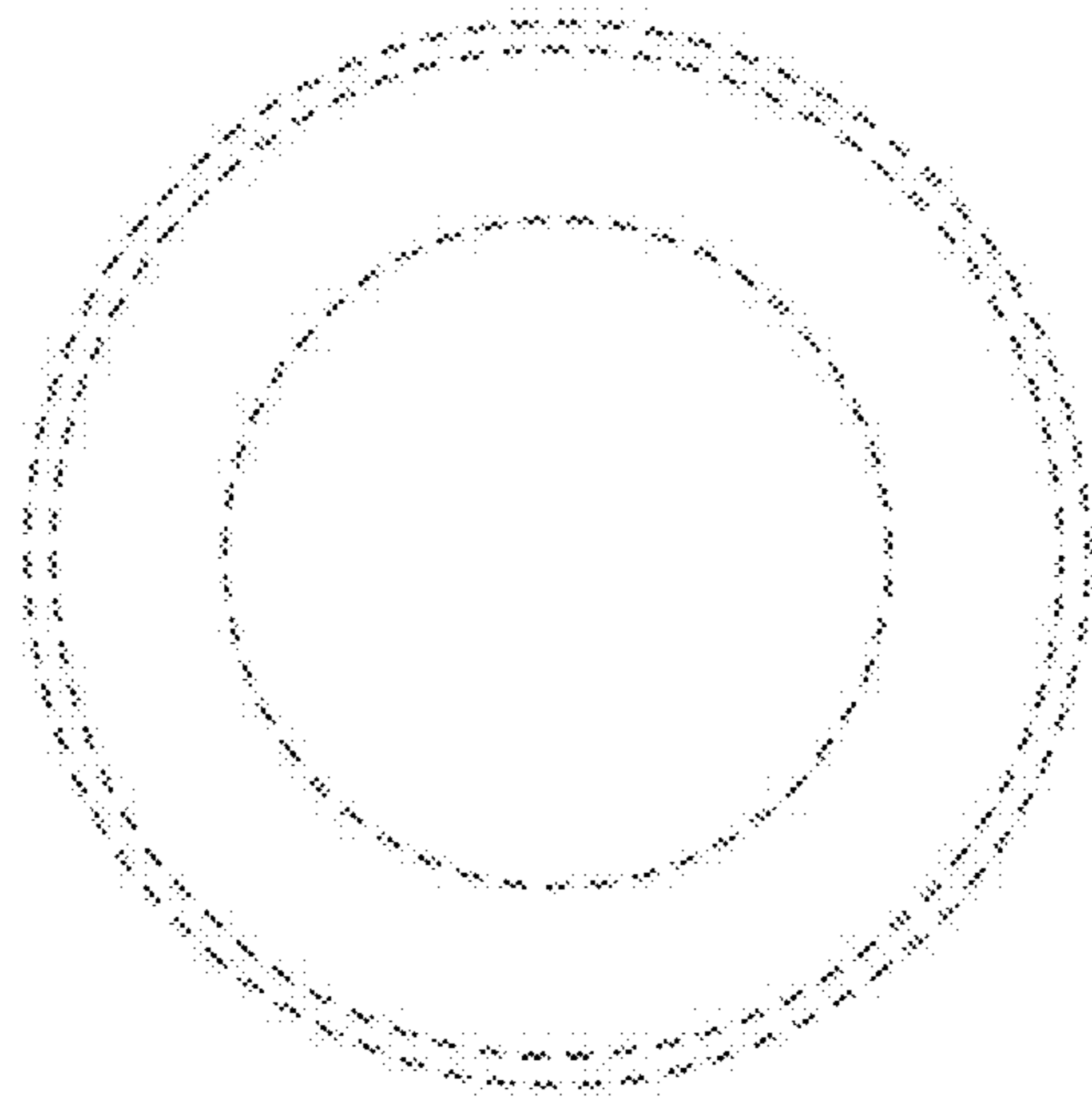


FIG. 14

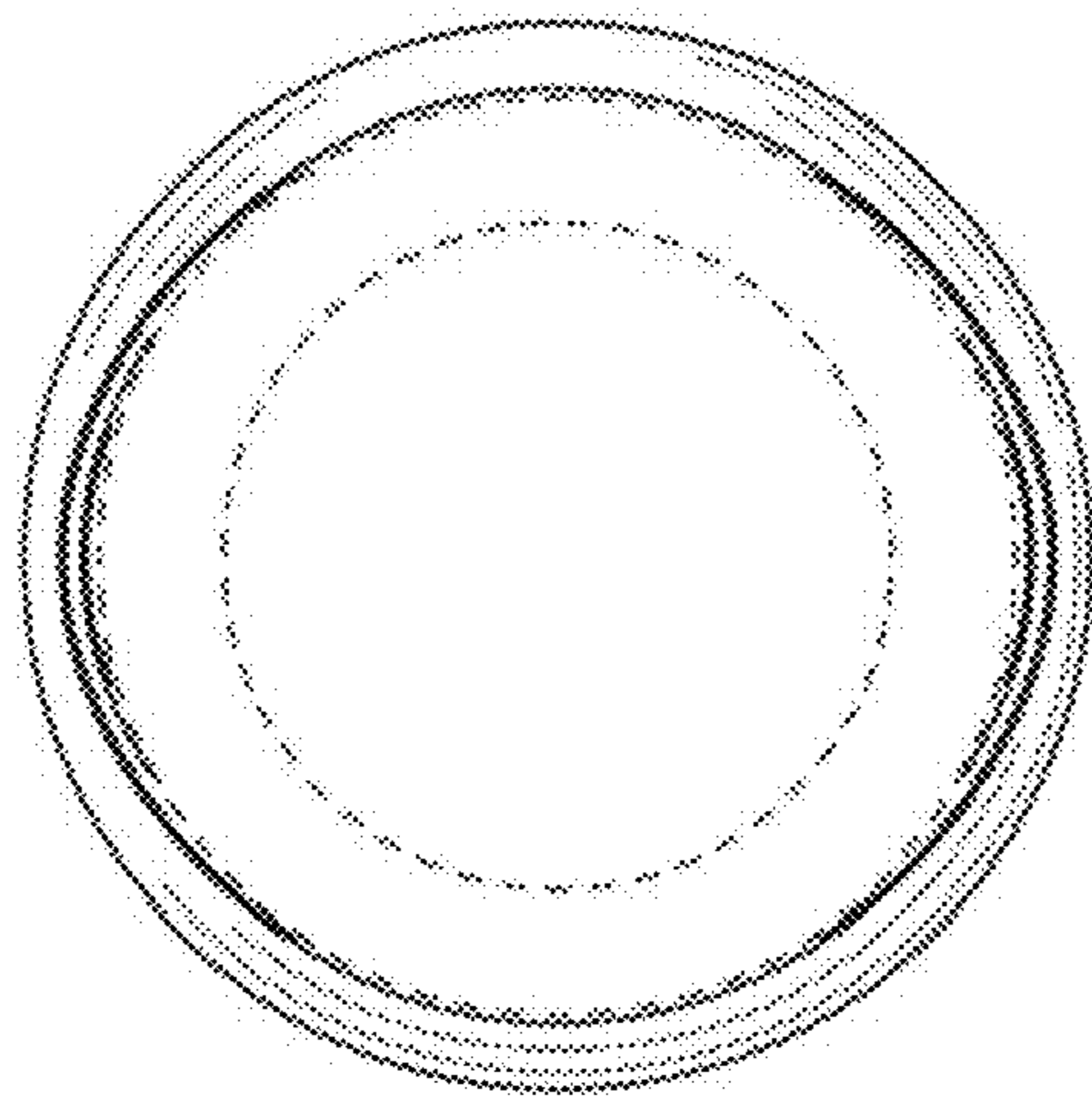


FIG. 15

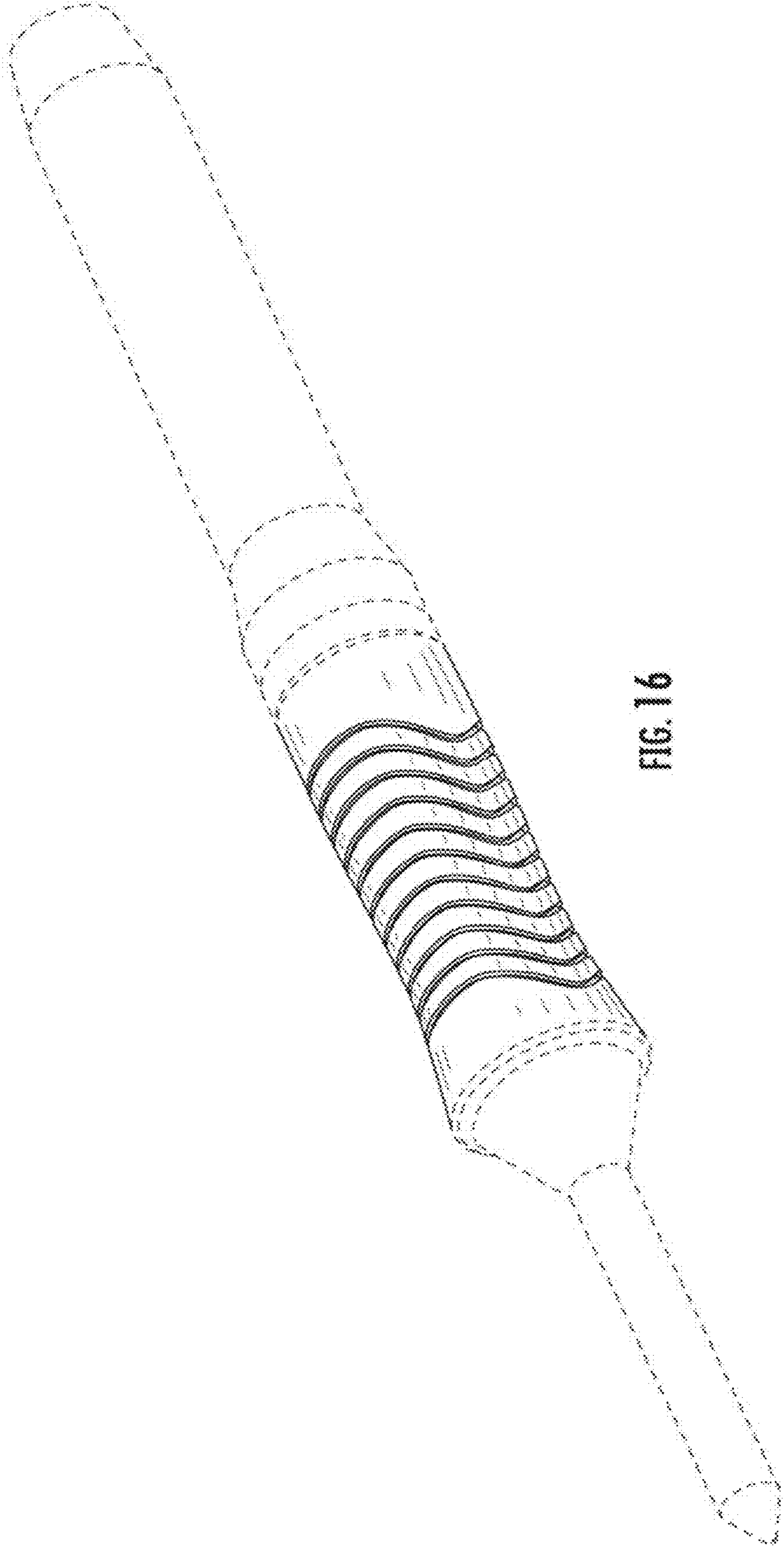


FIG. 16

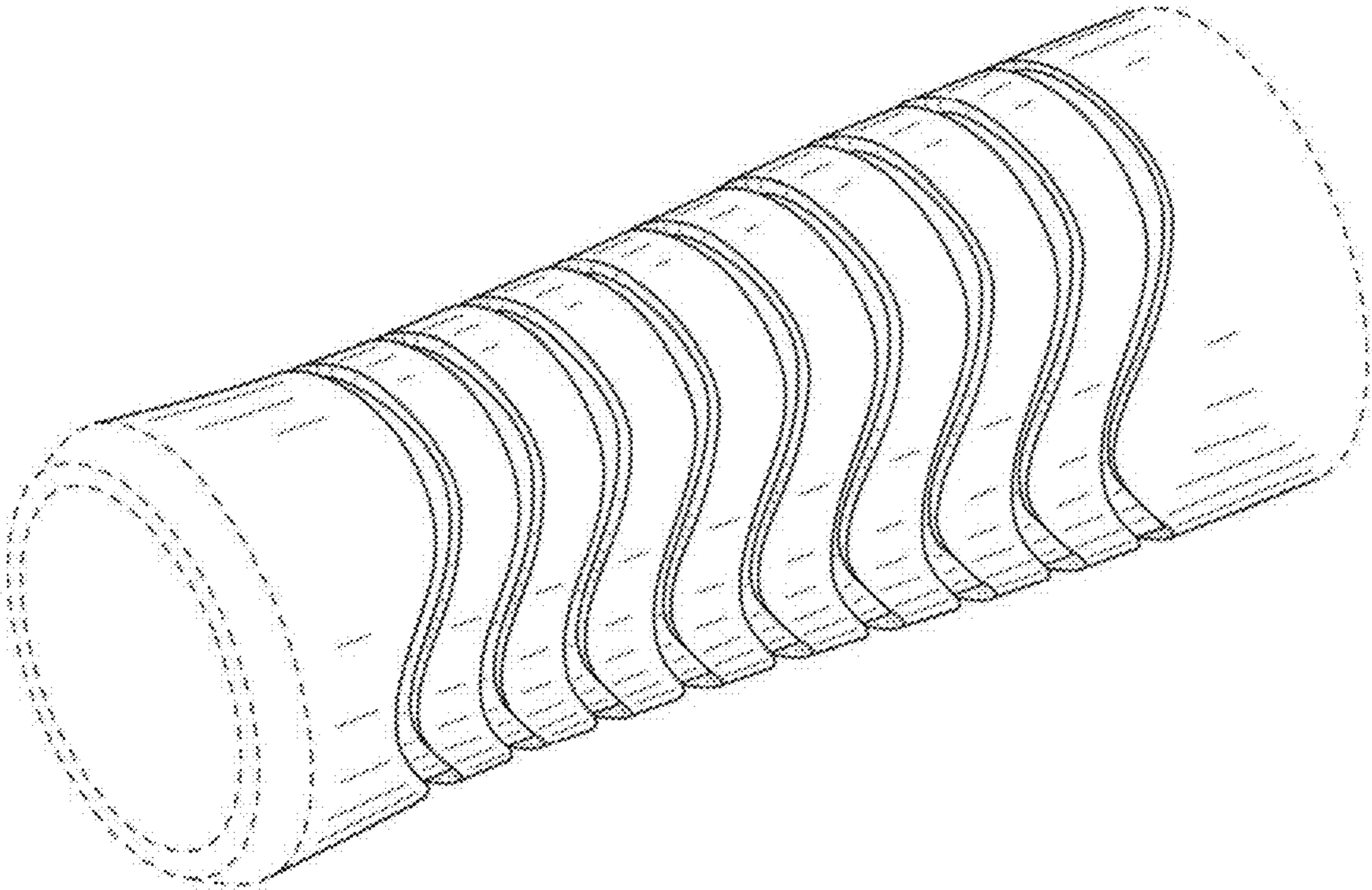


FIG. 17

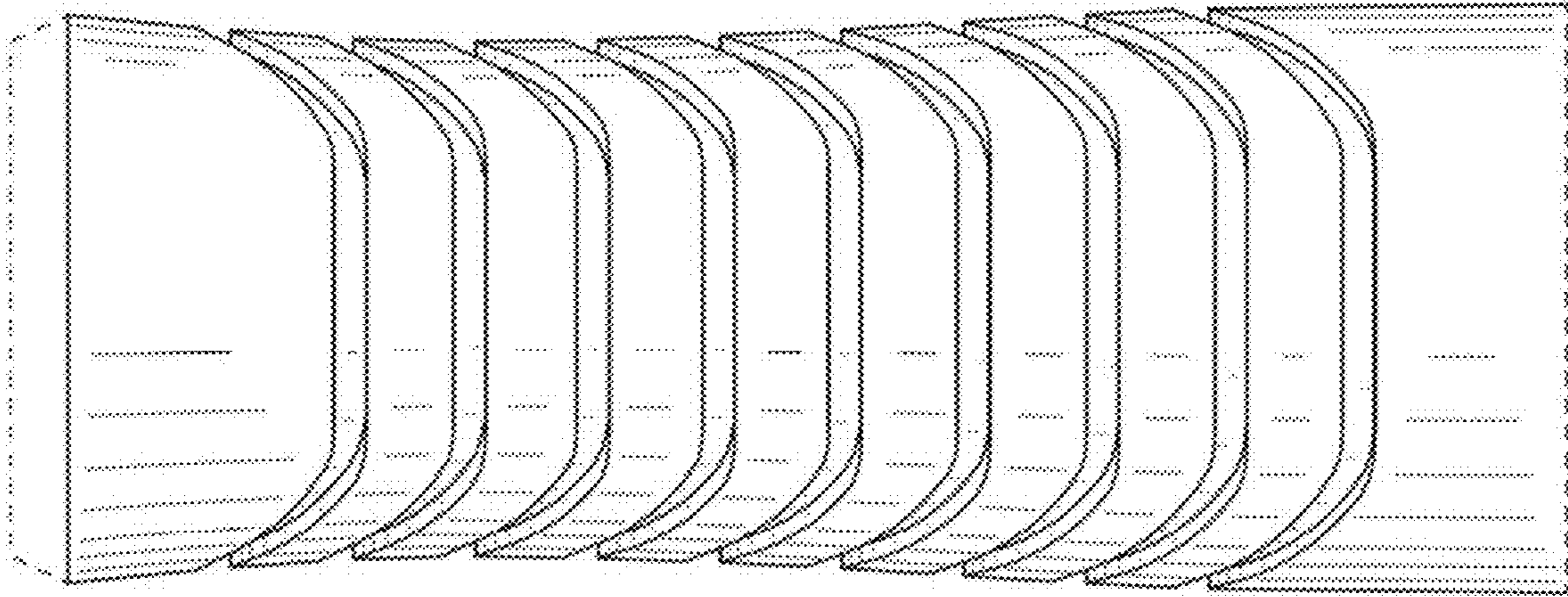


FIG. 18

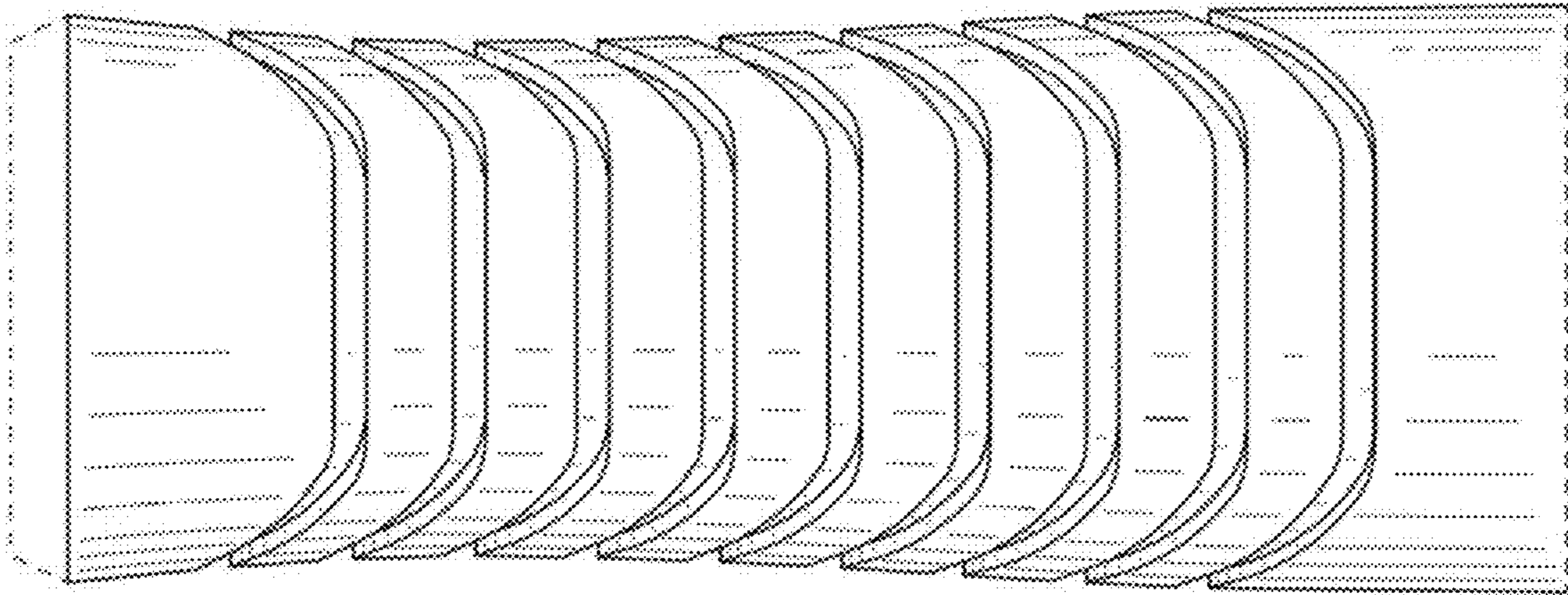


FIG. 19

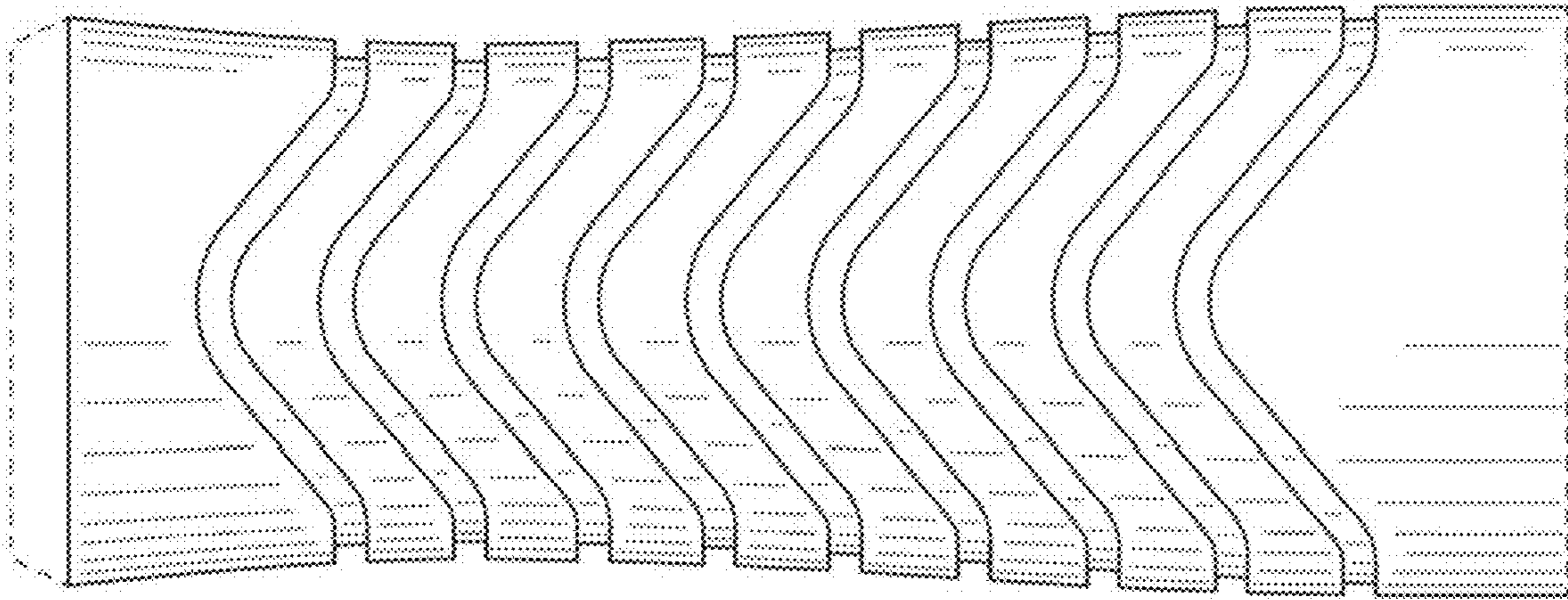


FIG. 20

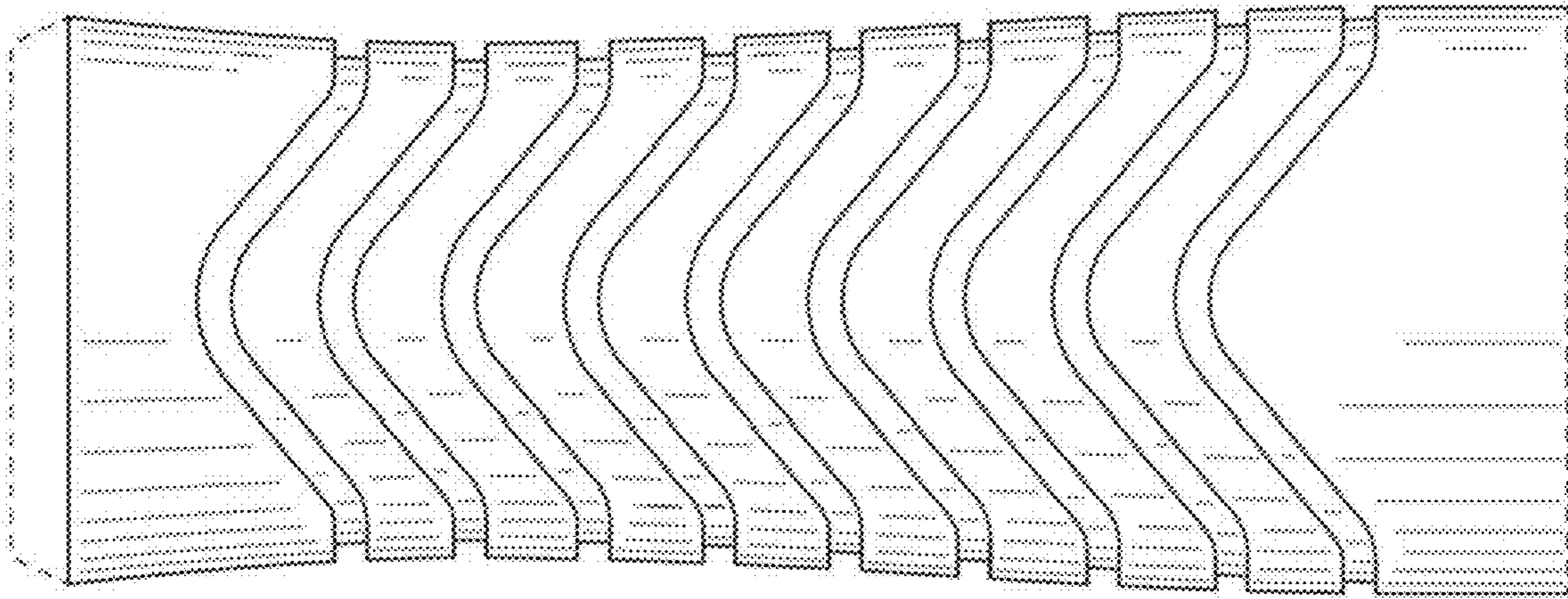


FIG. 21

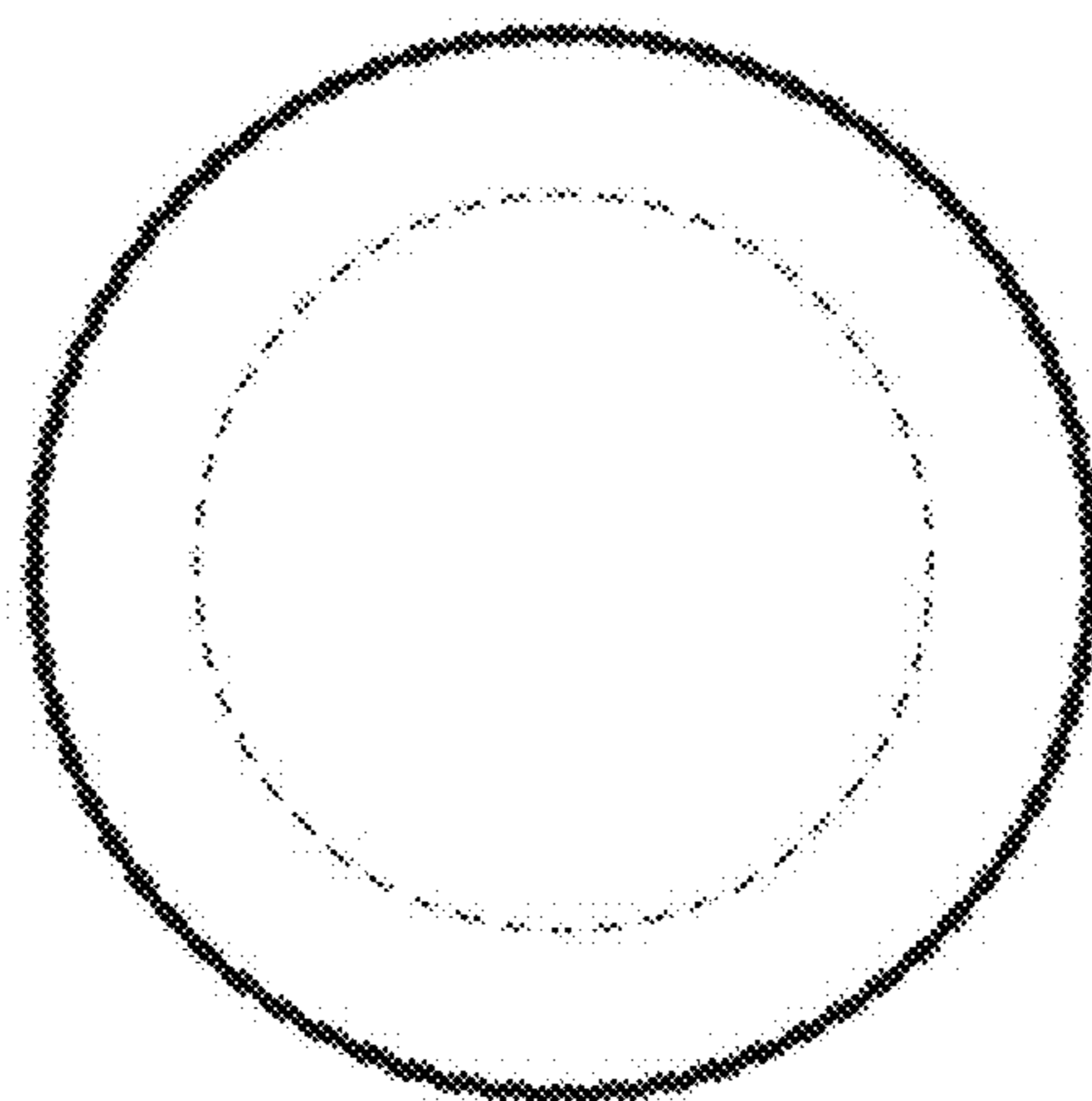


FIG. 22

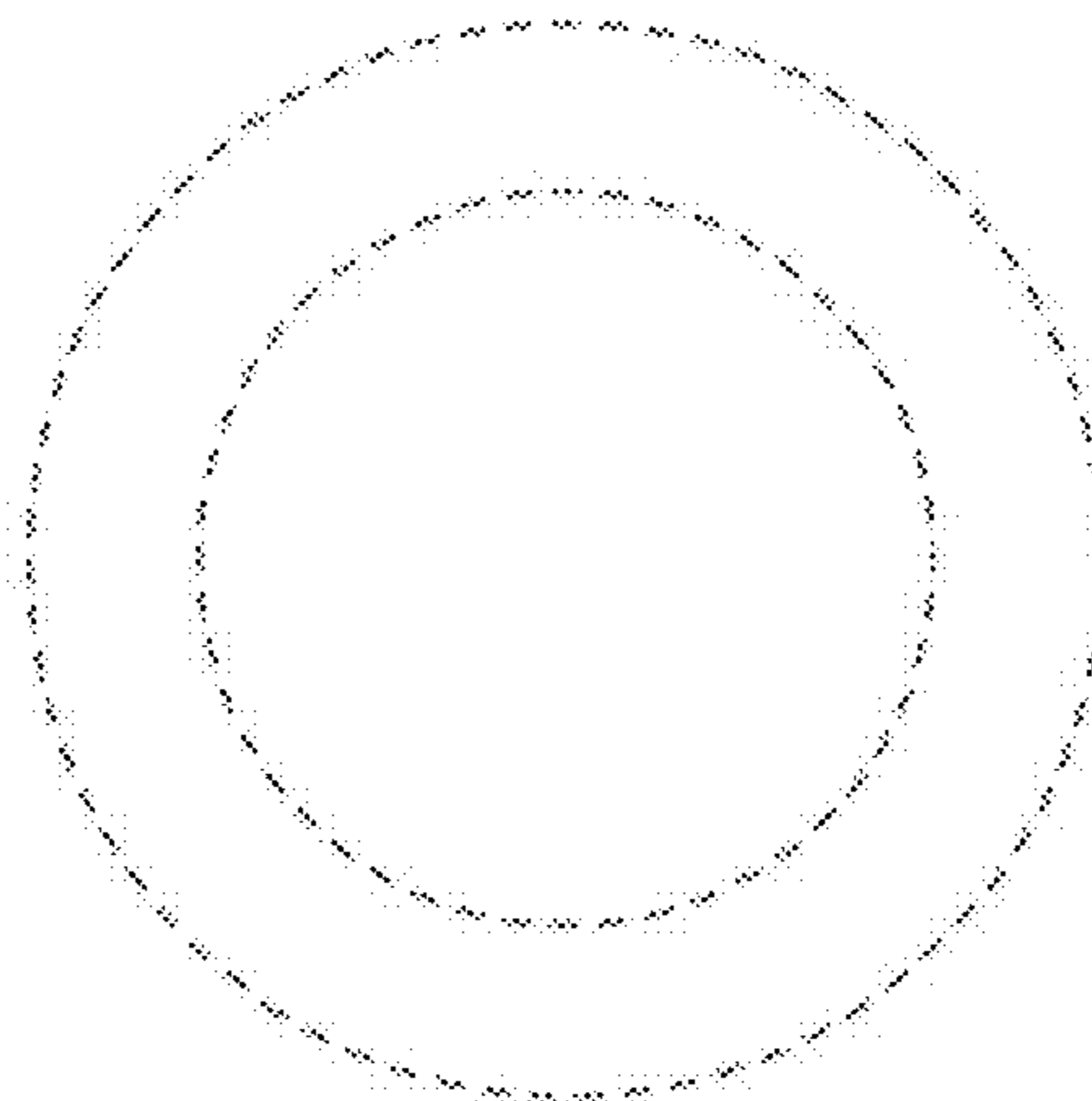


FIG. 23

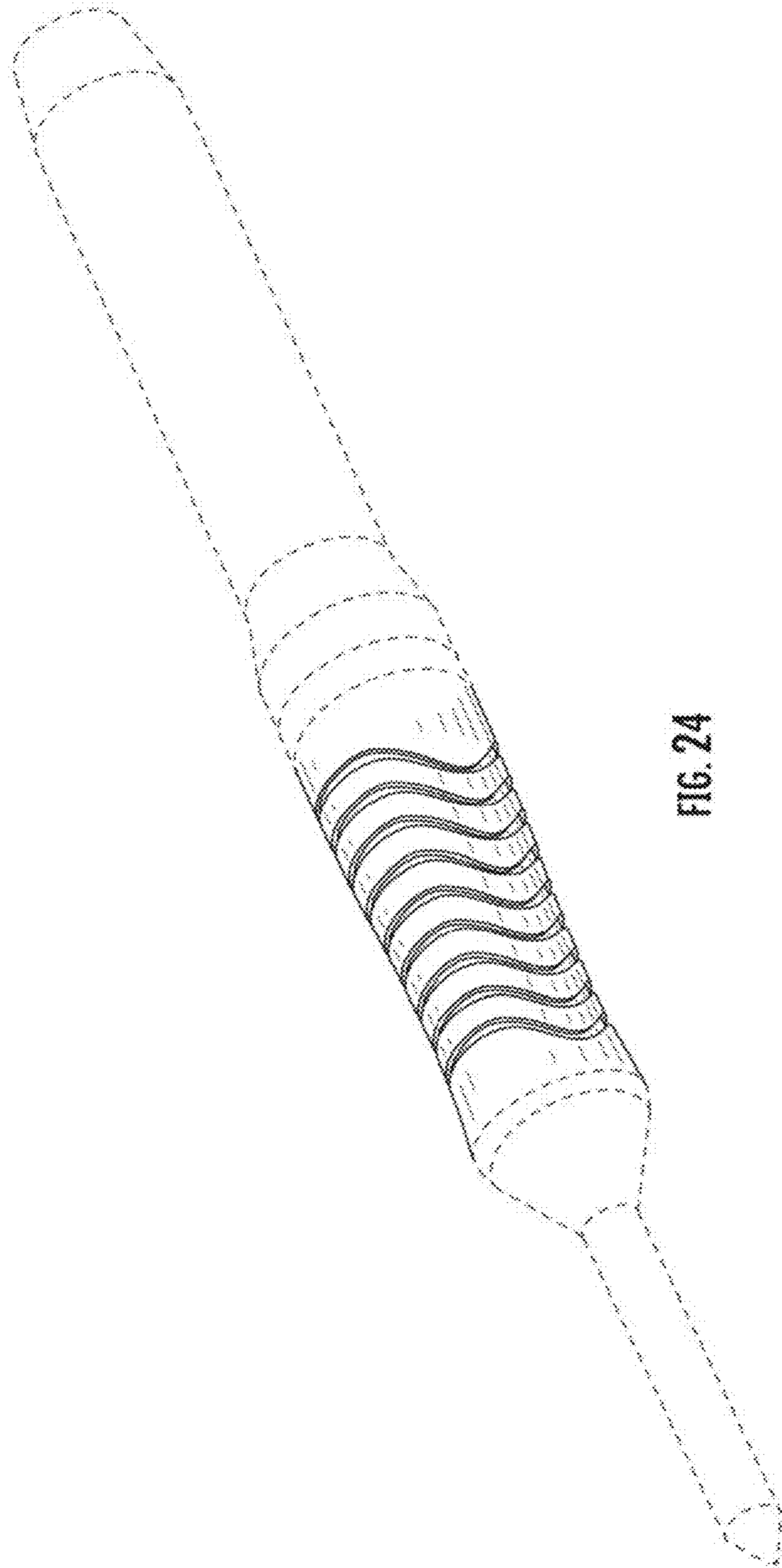


FIG. 24