



US00D926014S

(12) **United States Design Patent**
Semler

(10) **Patent No.:** **US D926,014 S**

(45) **Date of Patent:** **** Jul. 27, 2021**

- (54) **AUTOMOTIVE MULTI-TOOL**
- (71) Applicant: **John E. Semler**, Reno, NV (US)
- (72) Inventor: **John E. Semler**, Reno, NV (US)
- (**) Term: **15 Years**
- (21) Appl. No.: **29/694,595**
- (22) Filed: **Jun. 12, 2019**
- (51) **LOC (13) Cl.** **08-05**
- (52) **U.S. Cl.**
USPC **D8/105**
- (58) **Field of Classification Search**
USPC D8/105, 21, 26
CPC B67B 7/44; B25F 1/04; B65B 69/0025
See application file for complete search history.

- D566,495 S * 4/2008 Hackmann D8/14
- D601,400 S * 10/2009 Delia D8/105
- 7,634,830 B2 * 12/2009 Ryan A62B 3/00
7/138
- 7,673,912 B2 * 3/2010 Breininger B25B 9/00
294/210
- D613,139 S * 4/2010 Lai D8/21
- D617,624 S * 6/2010 Tygh D8/105
- 7,774,882 B2 * 8/2010 Liou B66F 15/00
7/166
- D639,131 S * 6/2011 Winsor D8/105
- 8,210,584 B2 * 7/2012 Hiltz B25D 1/00
294/24
- D719,005 S * 12/2014 Goddard D8/105
- 9,003,586 B2 * 4/2015 Weddle B25F 1/00
7/166
- D731,284 S * 6/2015 Goddard D8/105
- D738,183 S * 9/2015 Burson D8/105
- 9,345,912 B2 * 5/2016 Wells B25F 1/006
- D770,261 S * 11/2016 Gehrung D8/105

(Continued)

(56) **References Cited**
U.S. PATENT DOCUMENTS

- 745,008 A * 11/1903 Gearhart B67B 7/44
7/154
- D203,769 S * 2/1966 Rando D8/26
- D219,258 S * 11/1970 Frye D8/26
- 3,629,883 A * 12/1971 Norman B65B 69/0025
7/170
- D226,162 S * 1/1973 Ziaylek, Jr. D8/81
- 3,821,824 A * 7/1974 Pilcher B25D 1/00
7/143
- 4,329,892 A * 5/1982 Daigle B25B 13/481
81/55
- D284,637 S * 7/1986 Erickson D8/14
- D335,616 S * 5/1993 Schafer D8/107
- 5,344,201 A * 9/1994 Offin B25F 1/00
294/175
- D370,605 S * 6/1996 Schimeneck D8/14
- 5,970,552 A * 10/1999 Kwiecien B25B 13/461
7/138
- 7,159,260 B2 * 1/2007 Hansen B25D 1/04
7/100
- D547,624 S * 7/2007 Strahorn D8/21

Primary Examiner — Janice Hallmark
(74) *Attorney, Agent, or Firm* — Cramer Patent & Design, PLLC; Aaron R. Cramer

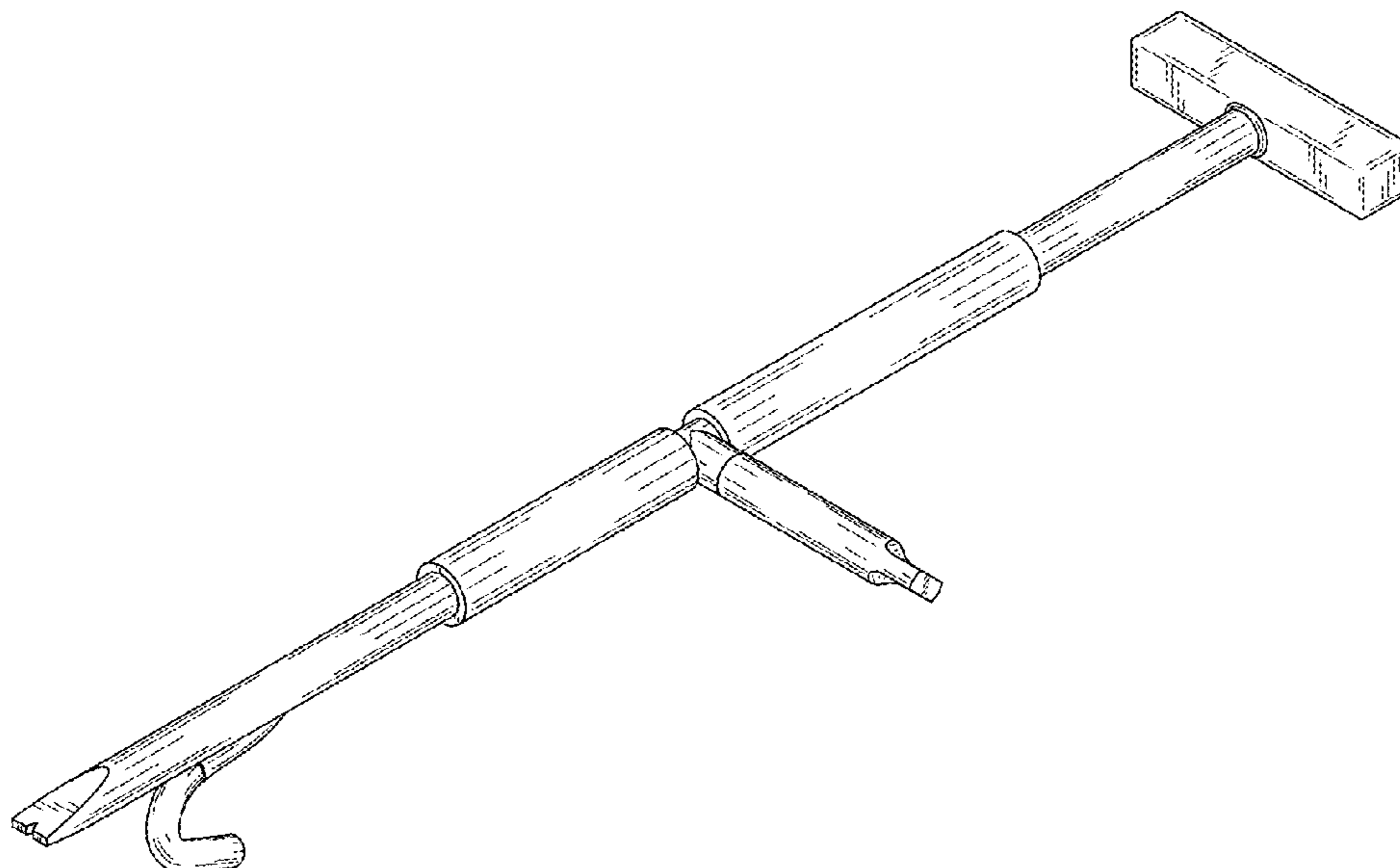
(57) **CLAIM**

The ornamental design for an automotive multi-tool, as shown and described.

DESCRIPTION

FIG. 1 is a perspective top front right view of an automotive multi-tool, showing my new design;
FIG. 2 is a perspective top rear left view thereof;
FIG. 3 is a front elevation view thereof;
FIG. 4 is a rear elevation view thereof;
FIG. 5 is a right elevation view thereof;
FIG. 6 is a left elevation view thereof;
FIG. 7 is a top plan view thereof; and,
FIG. 8 is a bottom plan view thereof.

1 Claim, 6 Drawing Sheets



(56)

References Cited

U.S. PATENT DOCUMENTS

9,656,379 B2 * 5/2017 Doster, Jr. E04F 21/18
9,844,989 B2 * 12/2017 Wilson B62D 53/08
D811,192 S * 2/2018 Gehrung D8/105
9,902,055 B1 * 2/2018 Baker B25D 1/02
10,870,194 B1 * 12/2020 Semler B25F 1/006
2006/0043746 A1 * 3/2006 Theobald B62D 53/0857
294/24
2016/0243691 A1 * 8/2016 Nicholls B25D 1/04
2017/0043468 A1 * 2/2017 Wade B25B 27/04

* cited by examiner

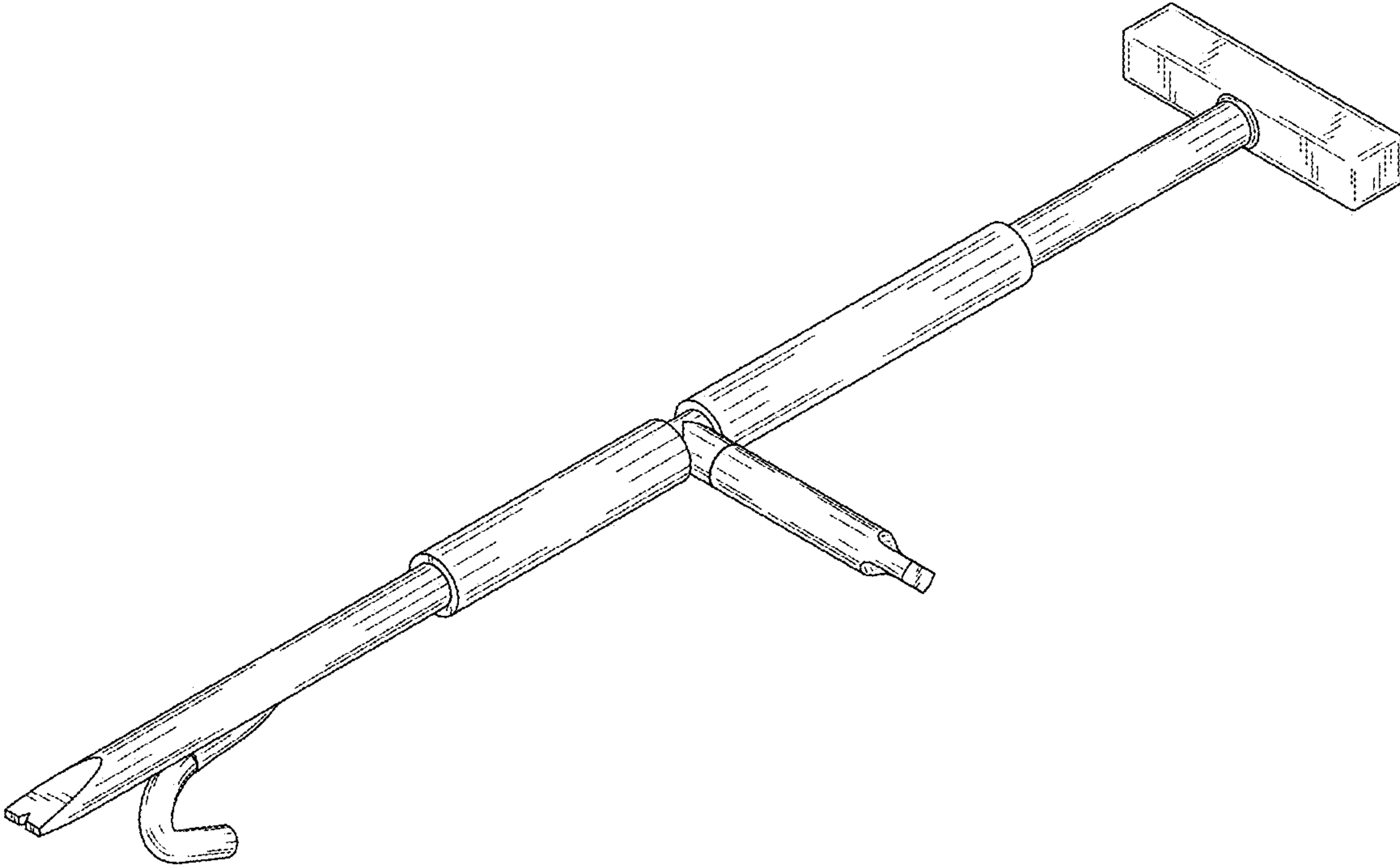


FIG. 1

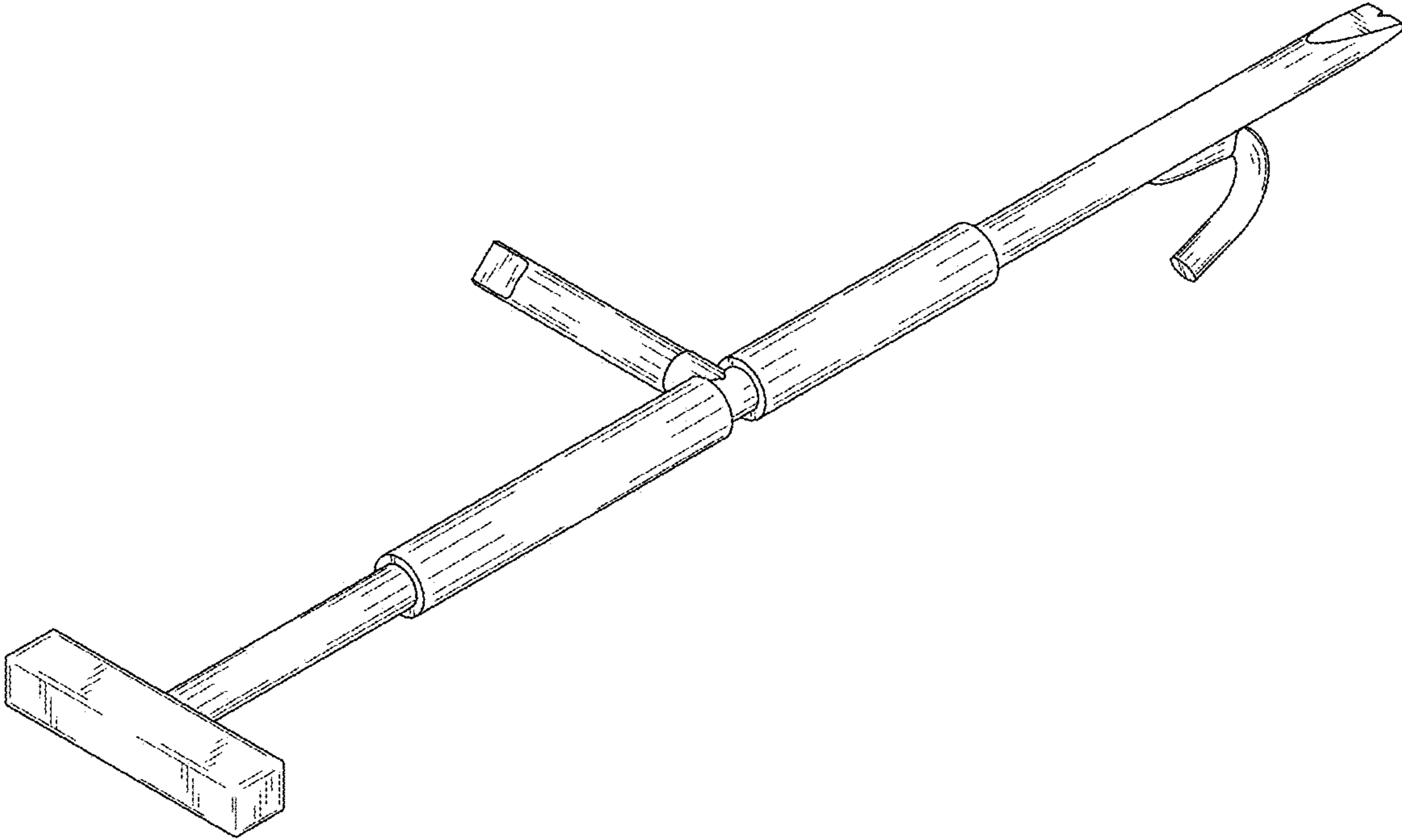


FIG. 2

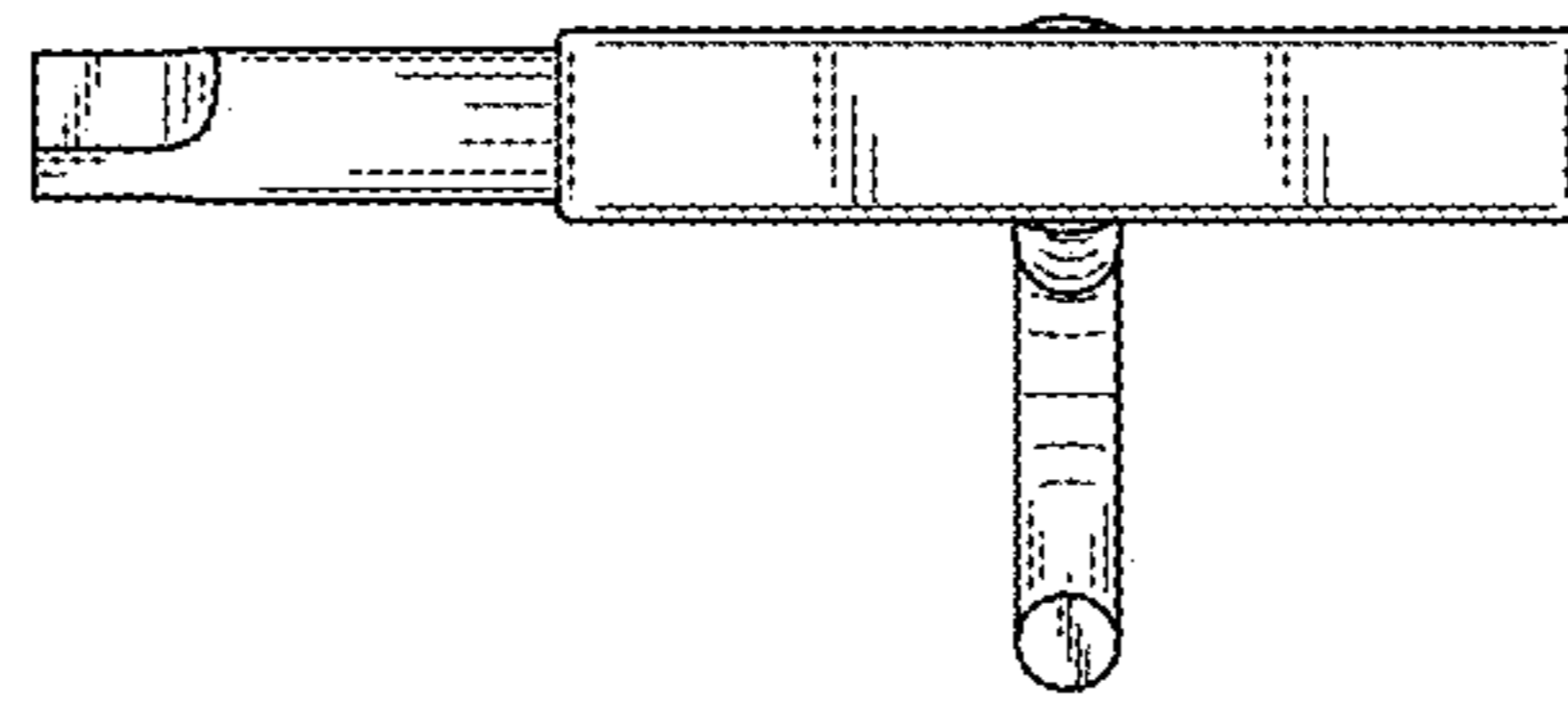


FIG. 3

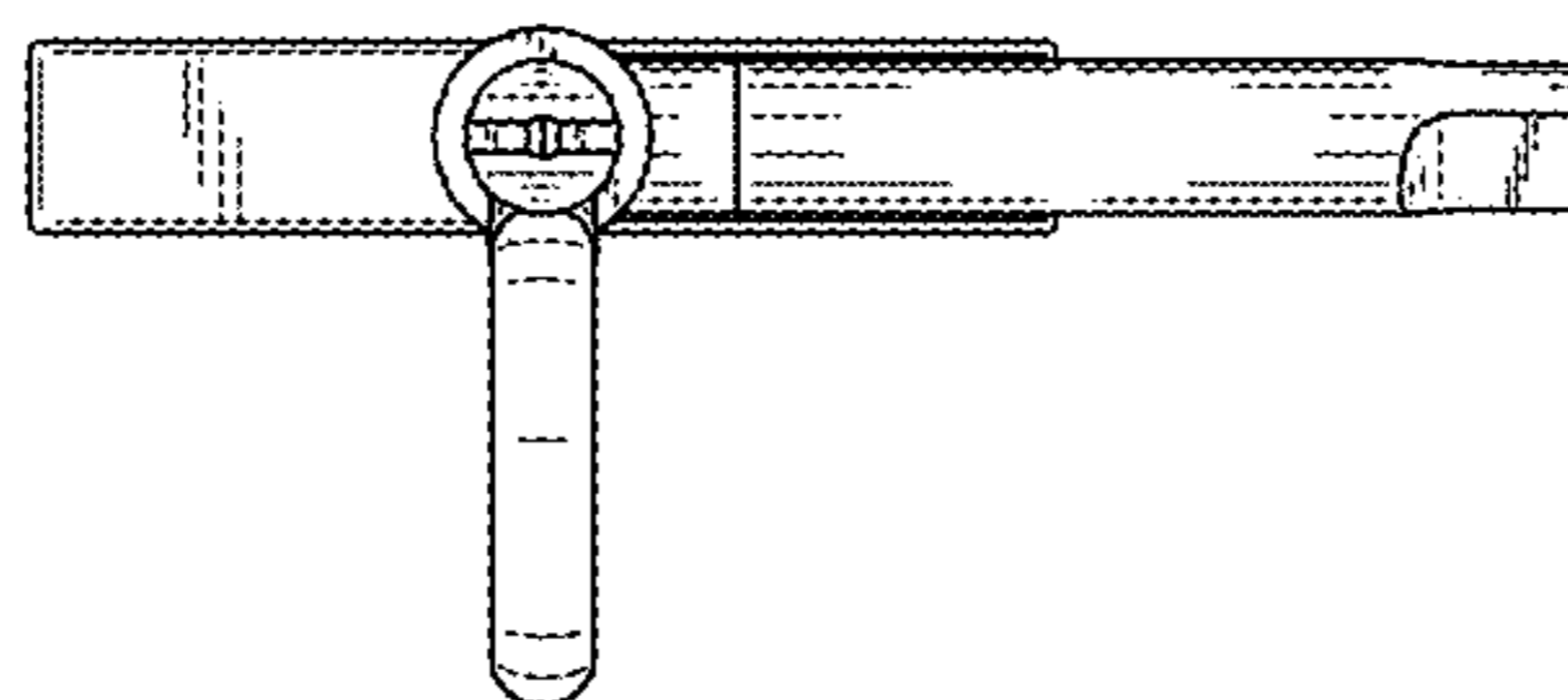


FIG. 4

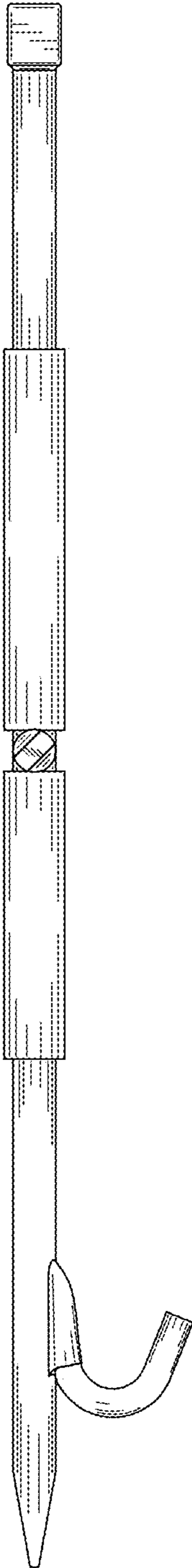


FIG. 5

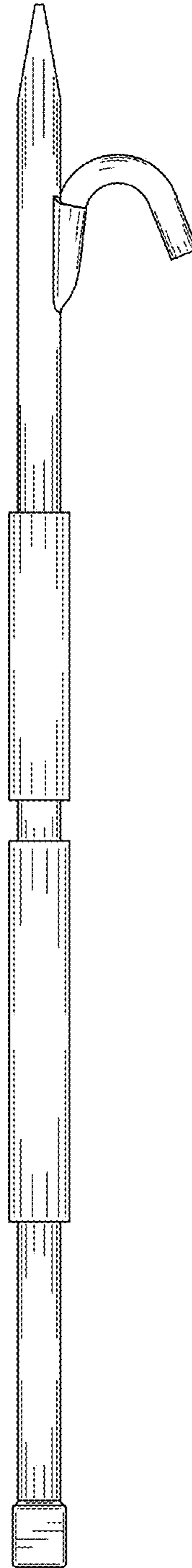


FIG. 6

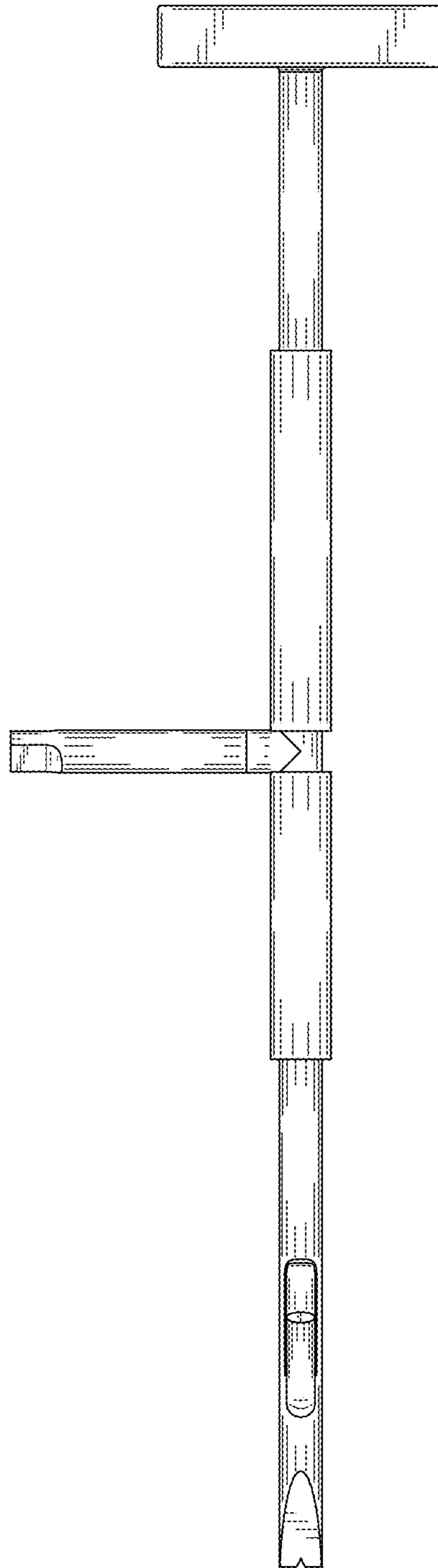


FIG. 7

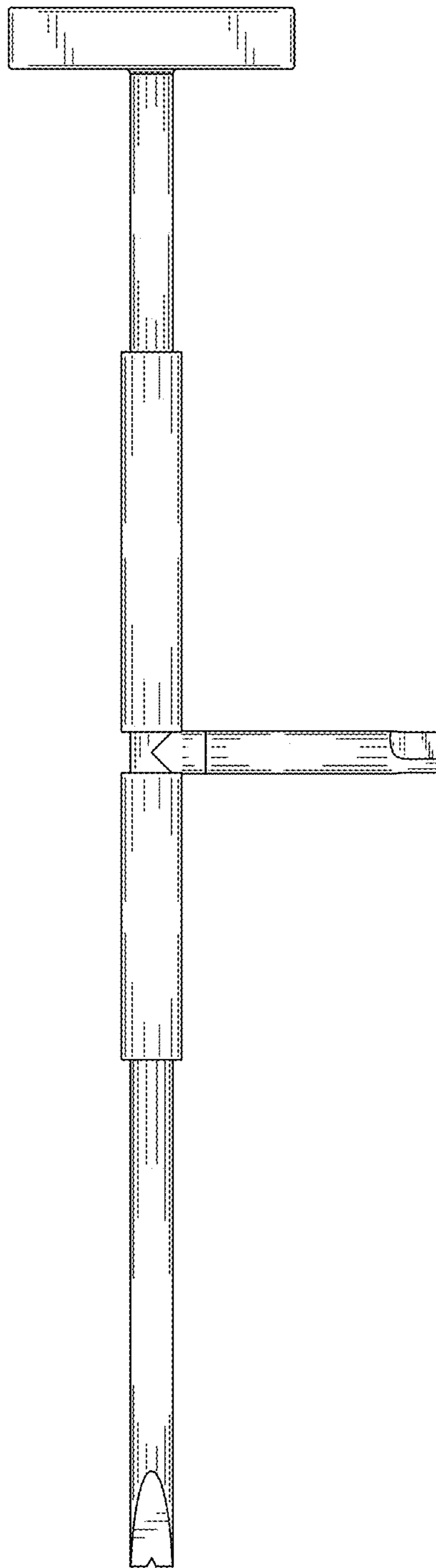


FIG. 8