



US00D926012S

(12) **United States Design Patent**
Harlander

(10) **Patent No.:** **US D926,012 S**
(45) **Date of Patent:** **** Jul. 27, 2021**

(54) **EMERGENCY HAMMER WITH GUARD AND BASE**

(71) Applicant: **EMKA Beschlagteile GmbH & Co. KG, Velbert (DE)**

(72) Inventor: **Nick Harlander, Leverkusen (DE)**

(73) Assignee: **EMKA BESCHLAGTEILE GMBH & CO. KG, Velbert (DE)**

(**) Term: **15 Years**

(21) Appl. No.: **29/722,537**

(22) Filed: **Jan. 30, 2020**

(30) **Foreign Application Priority Data**

Aug. 2, 2019 (EM) 006682118

(51) **LOC (13) Cl.** **08-02**

(52) **U.S. Cl.**
USPC **D8/75; D8/81**

(58) **Field of Classification Search**
USPC D14/14, 51, 75, 81, 105, 107
CPC ... B25F 1/006; B25F 1/00; B25D 1/00; A62B 3/005

See application file for complete search history.

(56) **References Cited**

U.S. PATENT DOCUMENTS

- 4,592,467 A * 6/1986 Lechner B25F 1/00
206/349
- D290,334 S * 6/1987 Reynolds, Jr. D32/48
- 4,882,956 A * 11/1989 Lang B25D 1/00
81/20
- 5,251,351 A * 10/1993 Klotz A47L 1/08
7/100

- 5,642,567 A * 7/1997 Lin A62B 3/005
30/366
- D385,771 S * 11/1997 Chiang D8/105
- 5,903,942 A * 5/1999 Hasegawa B25H 3/006
7/144
- 5,967,444 A * 10/1999 Poffo B25D 1/00
200/300
- D417,130 S * 11/1999 Hollinger D8/105
- D420,269 S * 2/2000 Ben-Moshe D8/105
- D498,401 S * 11/2004 Lin D8/105
- D499,003 S * 11/2004 Chiang D8/81
- D794,408 S * 8/2017 Colasse D8/81
- 2015/0059529 A1 * 3/2015 Franken B25G 3/24
81/25

* cited by examiner

Primary Examiner — Philip S Hyder

(74) *Attorney, Agent, or Firm* — Thompson Hine LLP

(57) **CLAIM**

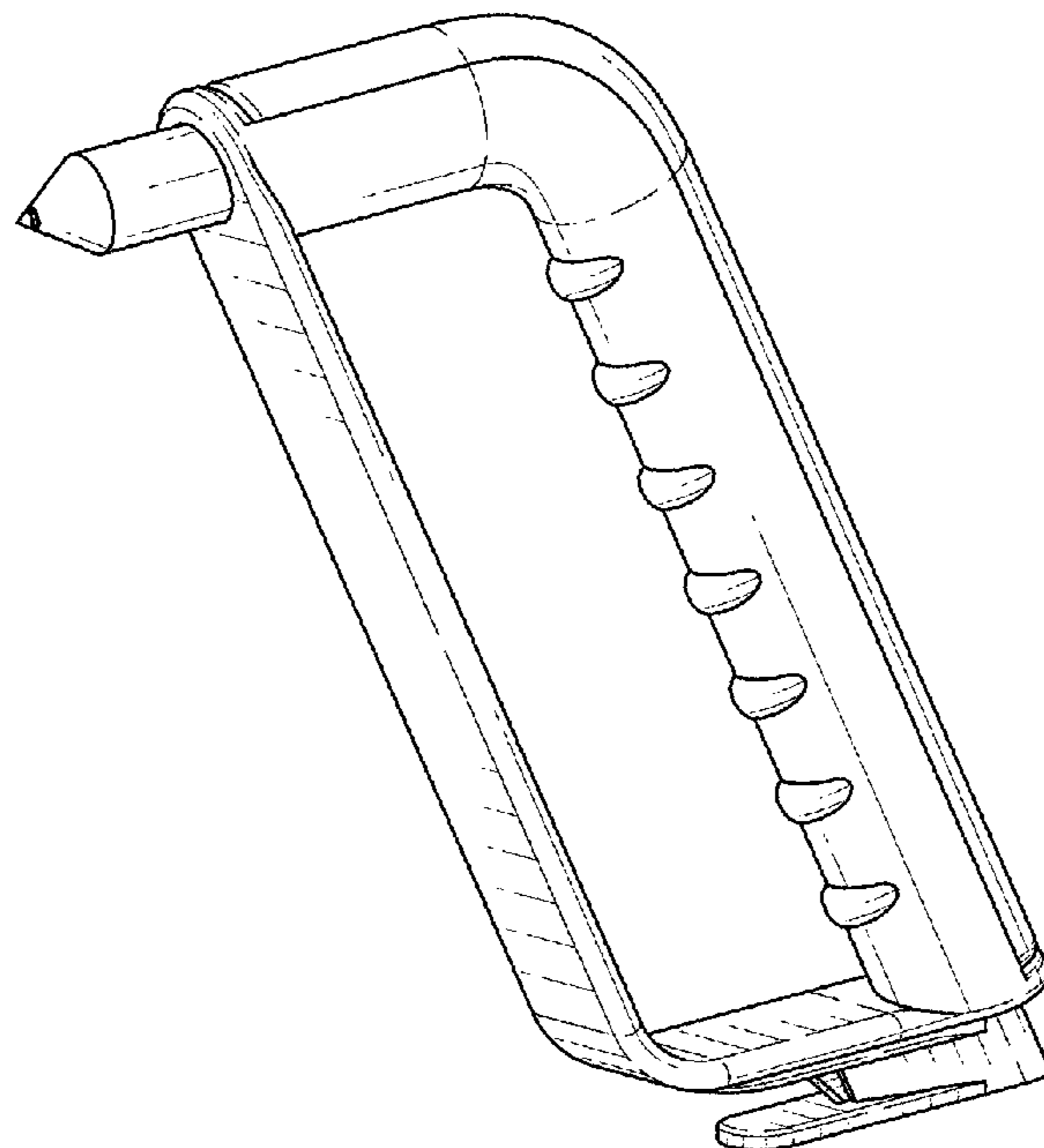
The ornamental design for an emergency hammer with guard and base, as shown and described.

DESCRIPTION

FIG. 1 is a perspective view of a new design for an emergency hammer with guard and base; FIG. 2 is a front elevational view thereof; FIG. 3 is a rear elevational view thereof; FIG. 4 is a right side elevational view thereof; FIG. 5 is a left side elevational view thereof; FIG. 6 is a top plan view thereof; and, FIG. 7 is a bottom plan view thereof.

The broken lines depict aspects of the emergency hammer with guard and base in which the design is embodied that are not considered part of the claimed design.

1 Claim, 4 Drawing Sheets



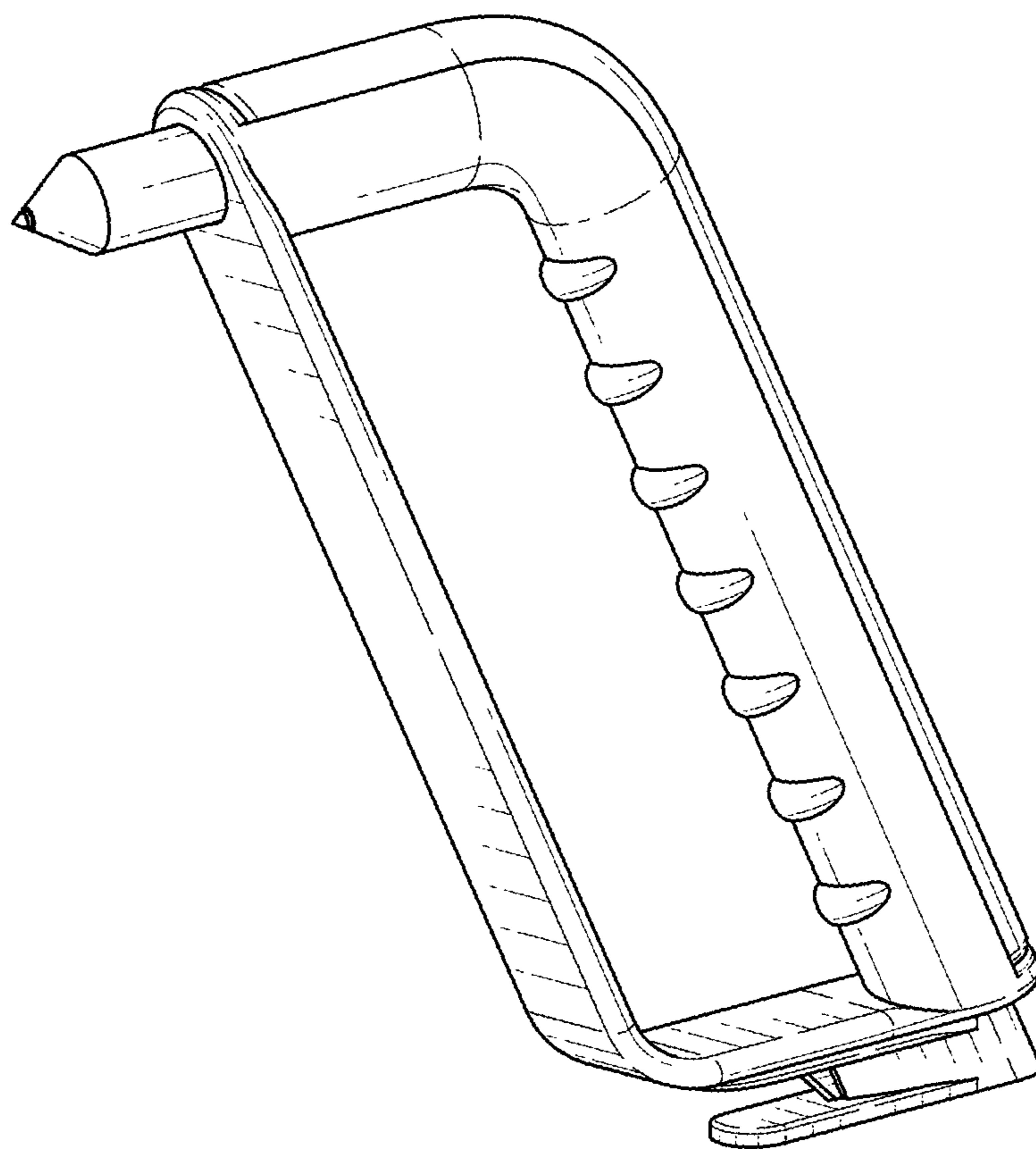


FIG. 1

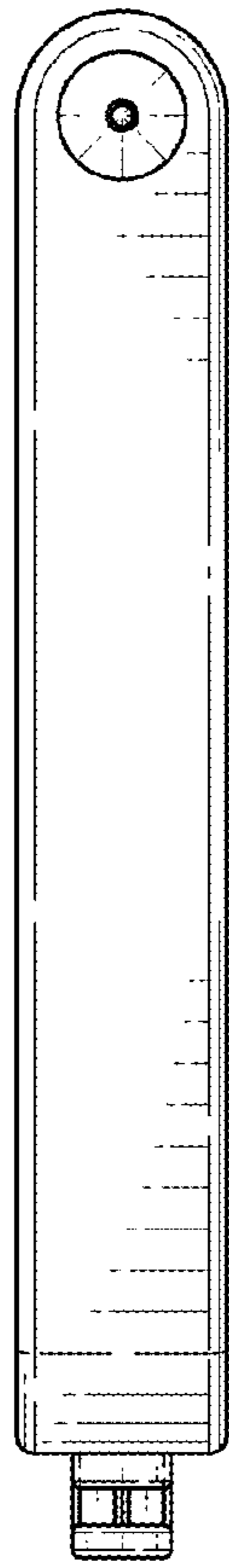


FIG. 2

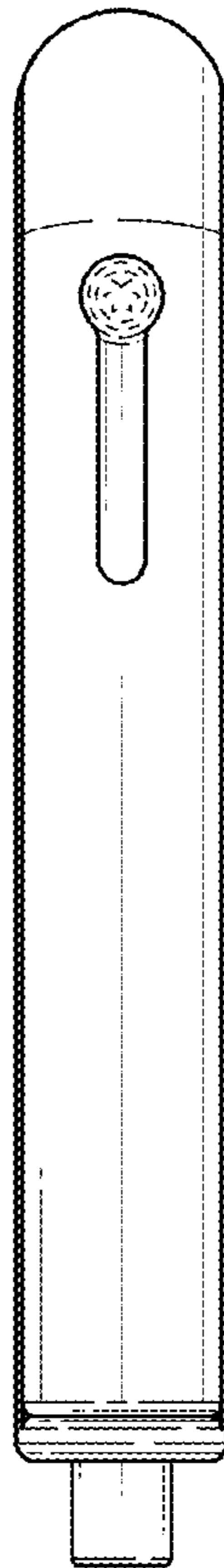


FIG. 3

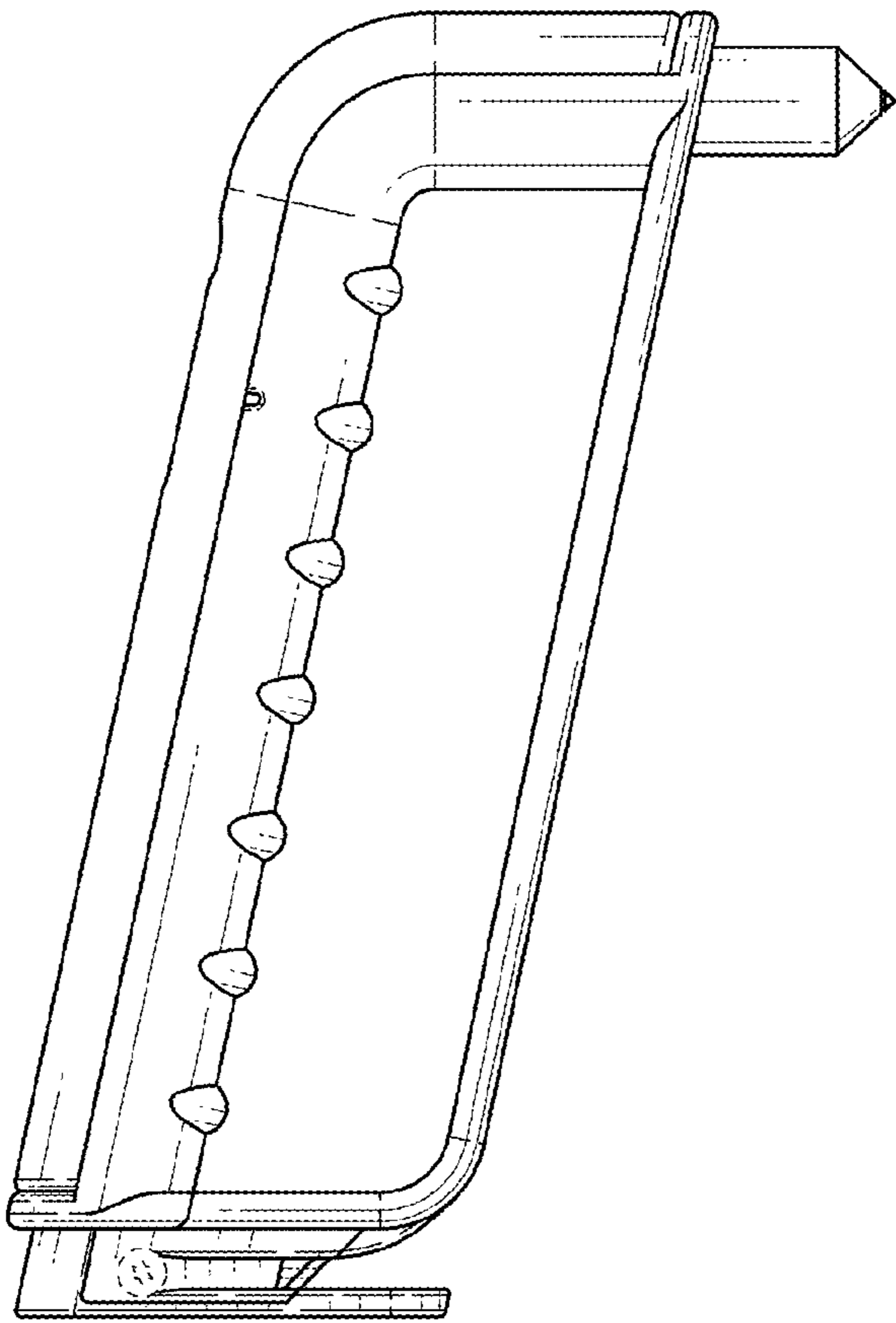


FIG. 4

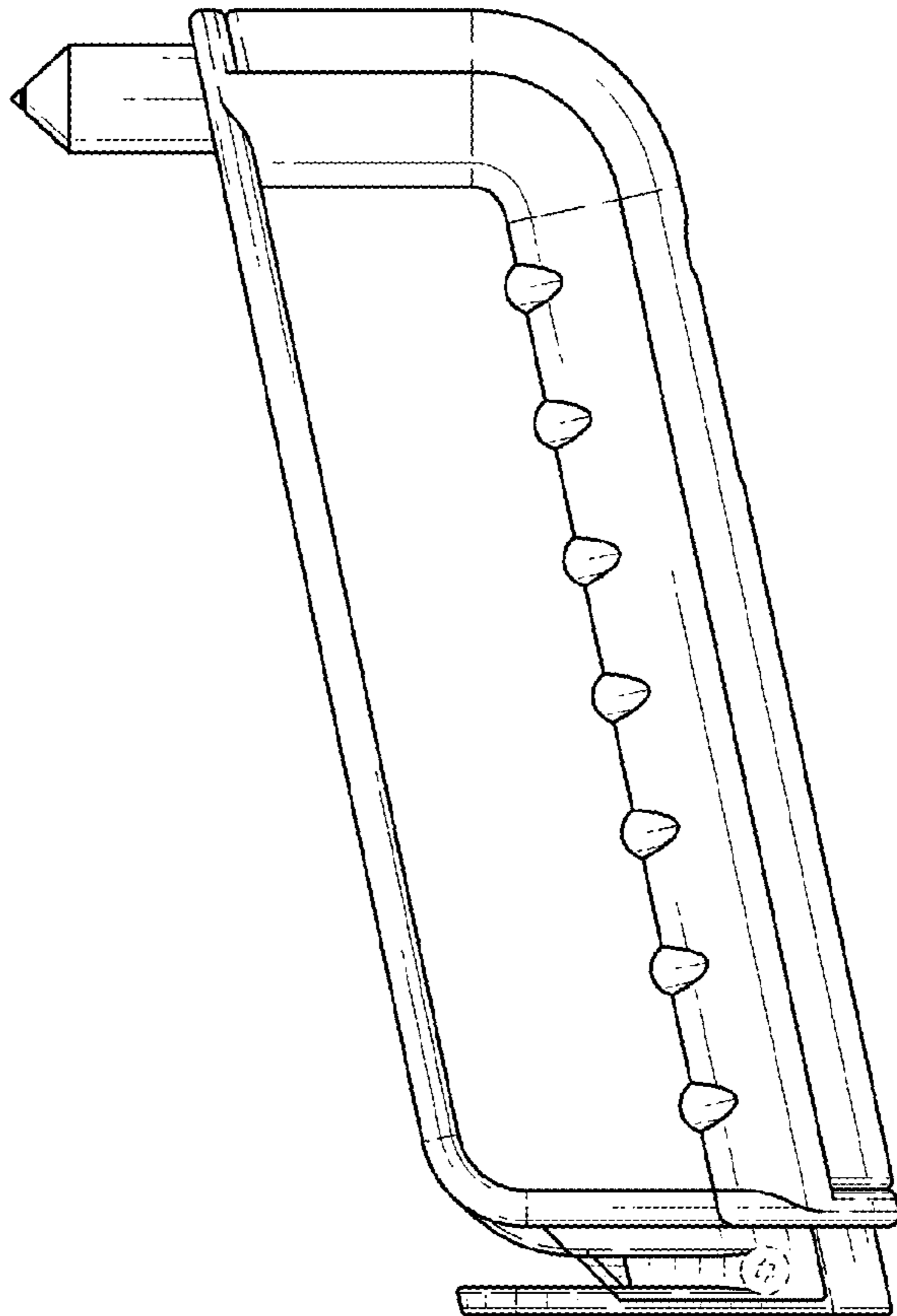


FIG. 5

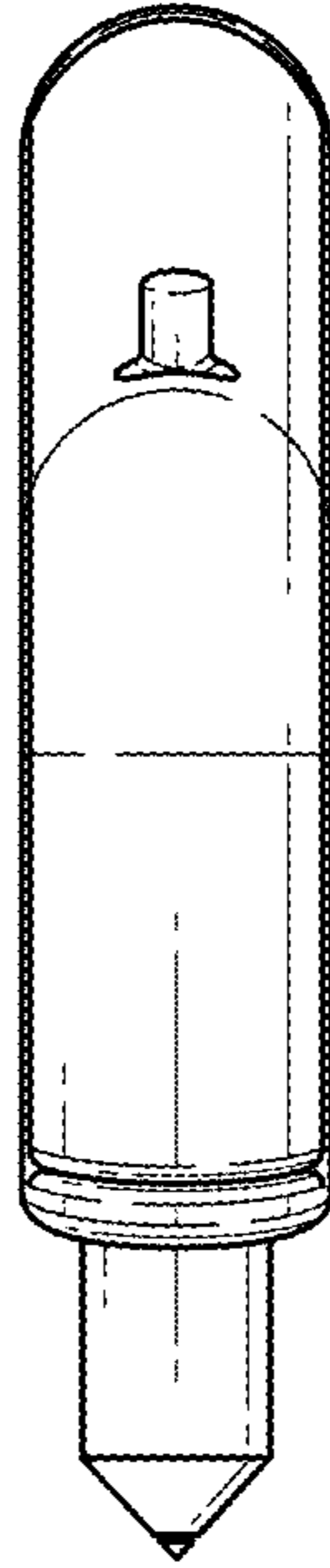


FIG. 6

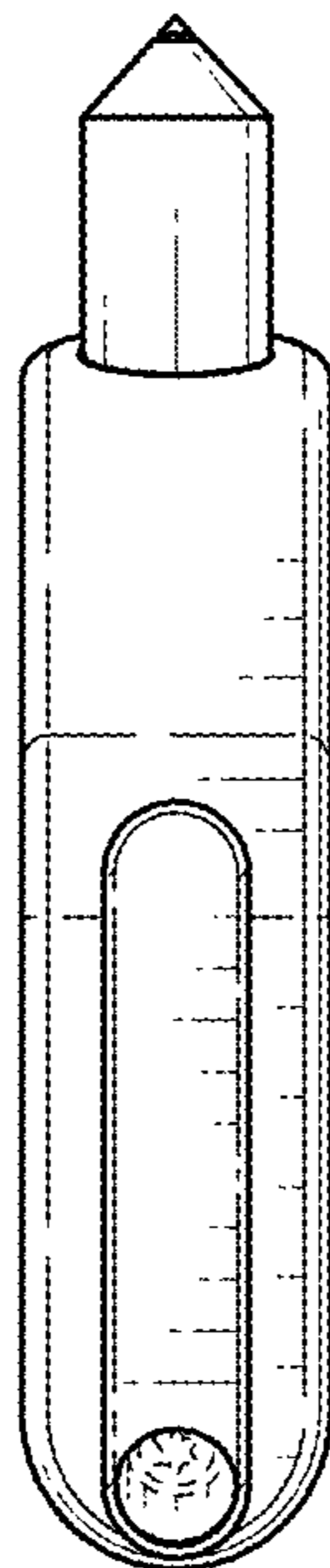


FIG. 7