



US00D926011S

(12) **United States Design Patent**
Harlander

(10) **Patent No.:** **US D926,011 S**

(45) **Date of Patent:** **** Jul. 27, 2021**

- (54) **EMERGENCY HAMMER**
- (71) Applicant: **EMKA Beschlagteile GmbH & Co. KG, Velbert (DE)**
- (72) Inventor: **Nick Harlander, Leverkusen (DE)**
- (73) Assignee: **EMKA BESCHLAGTEILE GMBH & CO. KG, Velbert (DE)**
- (**) Term: **15 Years**
- (21) Appl. No.: **29/722,534**
- (22) Filed: **Jan. 30, 2020**

5,642,567 A *	7/1997	Lin	A62B 3/005 30/366
D385,771 S *	11/1997	Chiang	D8/105
5,903,942 A *	5/1999	Hasegawa	B25H 3/006 7/144
5,967,444 A *	10/1999	Poffo	B25D 1/00 200/300
D417,130 S *	11/1999	Hollinger	D8/105
D420,269 S *	2/2000	Ben-Moshe	D8/105
D498,401 S *	11/2004	Lin	D8/105
D499,003 S *	11/2004	Chiang	D8/81
D794,408 S *	8/2017	Colasse	D8/81
2015/0059529 A1 *	3/2015	Franken	B25G 3/24 81/25

- (30) **Foreign Application Priority Data**
- Aug. 2, 2019 (EM) 006682118
- (51) **LOC (13) Cl.** **08-02**
- (52) **U.S. Cl.**
- USPC **D8/75; D8/81**
- (58) **Field of Classification Search**
- USPC D14/14, 51, 75, 81, 105, 107
- CPC ... B25F 1/006; B25F 1/00; B25D 1/00; A62B
3/005
- See application file for complete search history.

* cited by examiner

Primary Examiner — Philip S Hyder

(74) *Attorney, Agent, or Firm* — Thompson Hine LLP

- (56) **References Cited**
- U.S. PATENT DOCUMENTS**
- 4,592,467 A * 6/1986 Lechner B25F 1/00
206/349
- D290,334 S * 6/1987 Reynolds, Jr. D32/48
- 4,882,956 A * 11/1989 Lang B25D 1/00
81/20
- 5,251,351 A * 10/1993 Klotz A47L 1/08
7/100

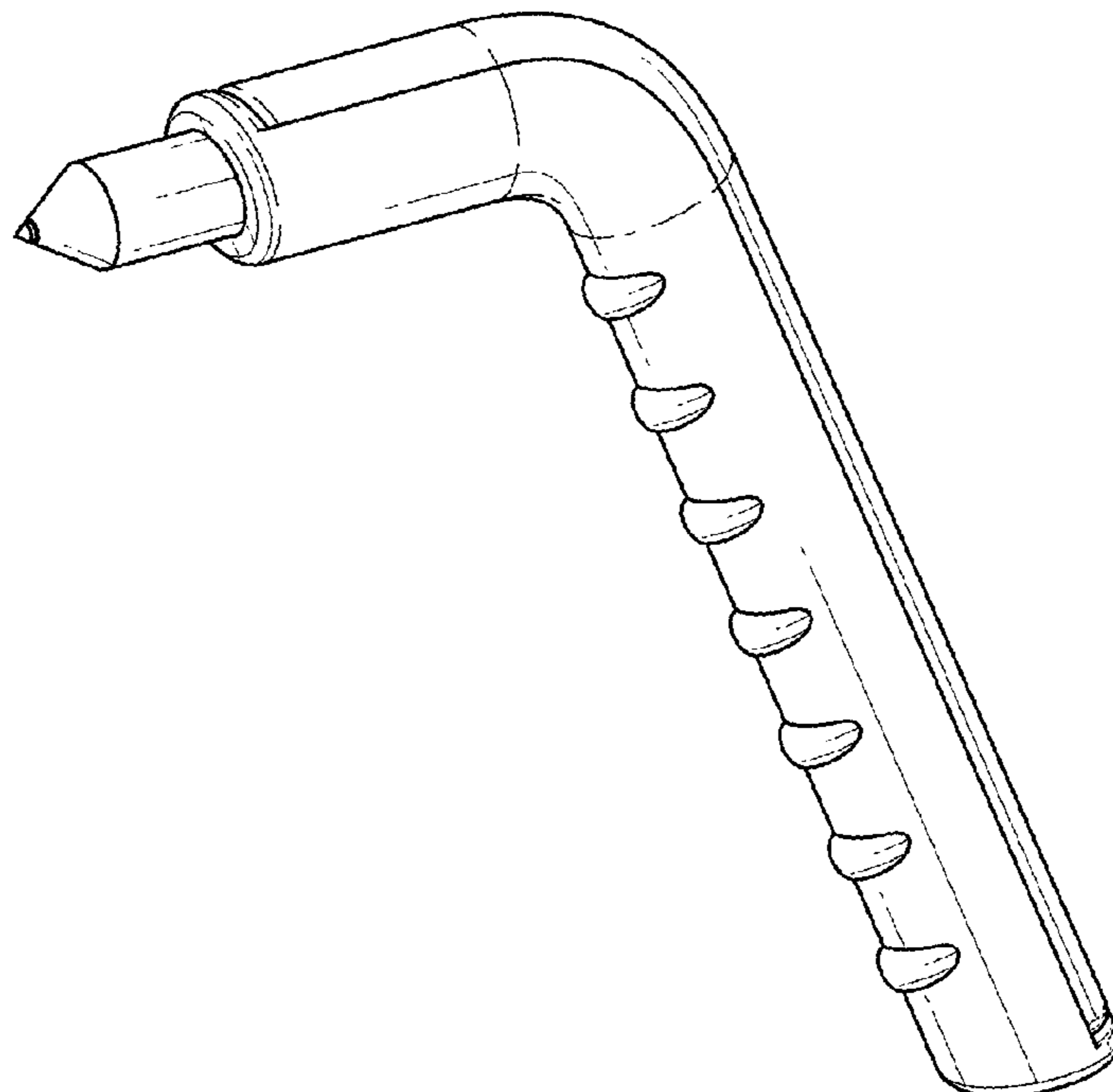
(57) **CLAIM**

The ornamental design for an emergency hammer, as shown and described.

DESCRIPTION

FIG. 1 is a perspective view of a new design for an emergency hammer;
 FIG. 2 is a front elevational view thereof;
 FIG. 3 is a rear elevational view thereof;
 FIG. 4 is a right side elevational view thereof;
 FIG. 5 is a left side elevational view thereof;
 FIG. 6 is a top plan view thereof; and,
 FIG. 7 is a bottom plan view thereof.
 The broken lines depict aspects of the emergency hammer in which the design is embodied that are not considered part of the claimed design.

1 Claim, 4 Drawing Sheets



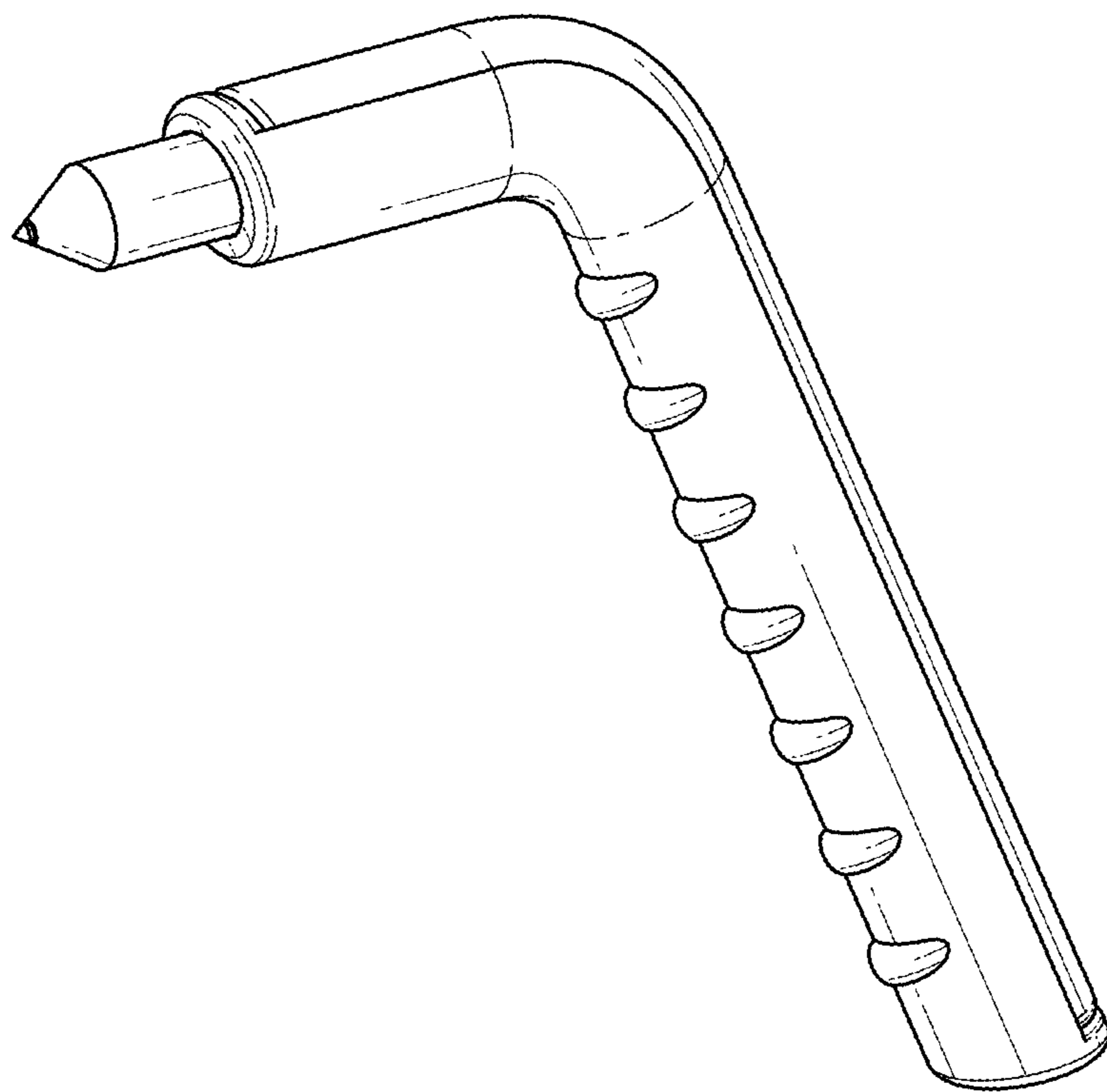


FIG. 1

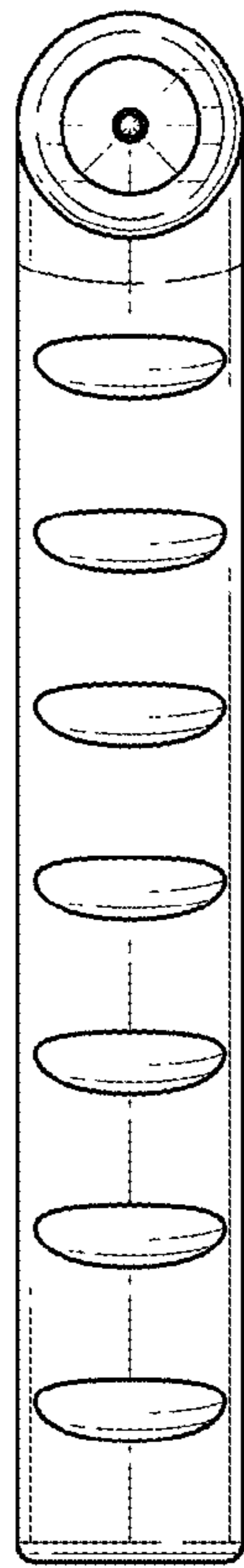


FIG. 2

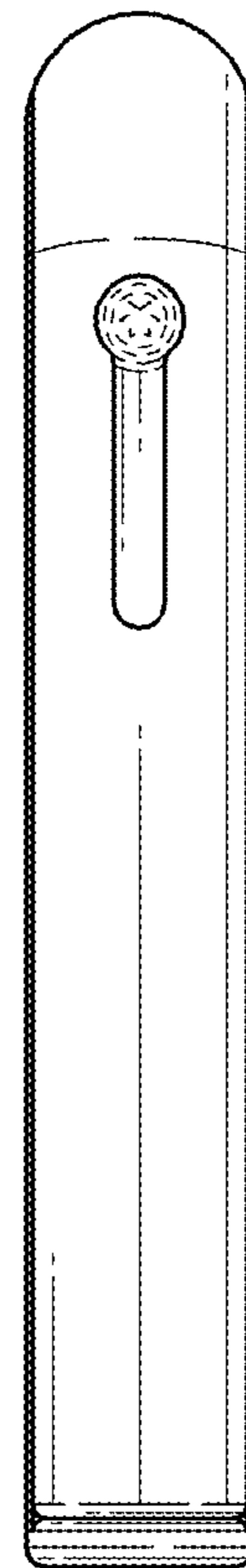


FIG. 3

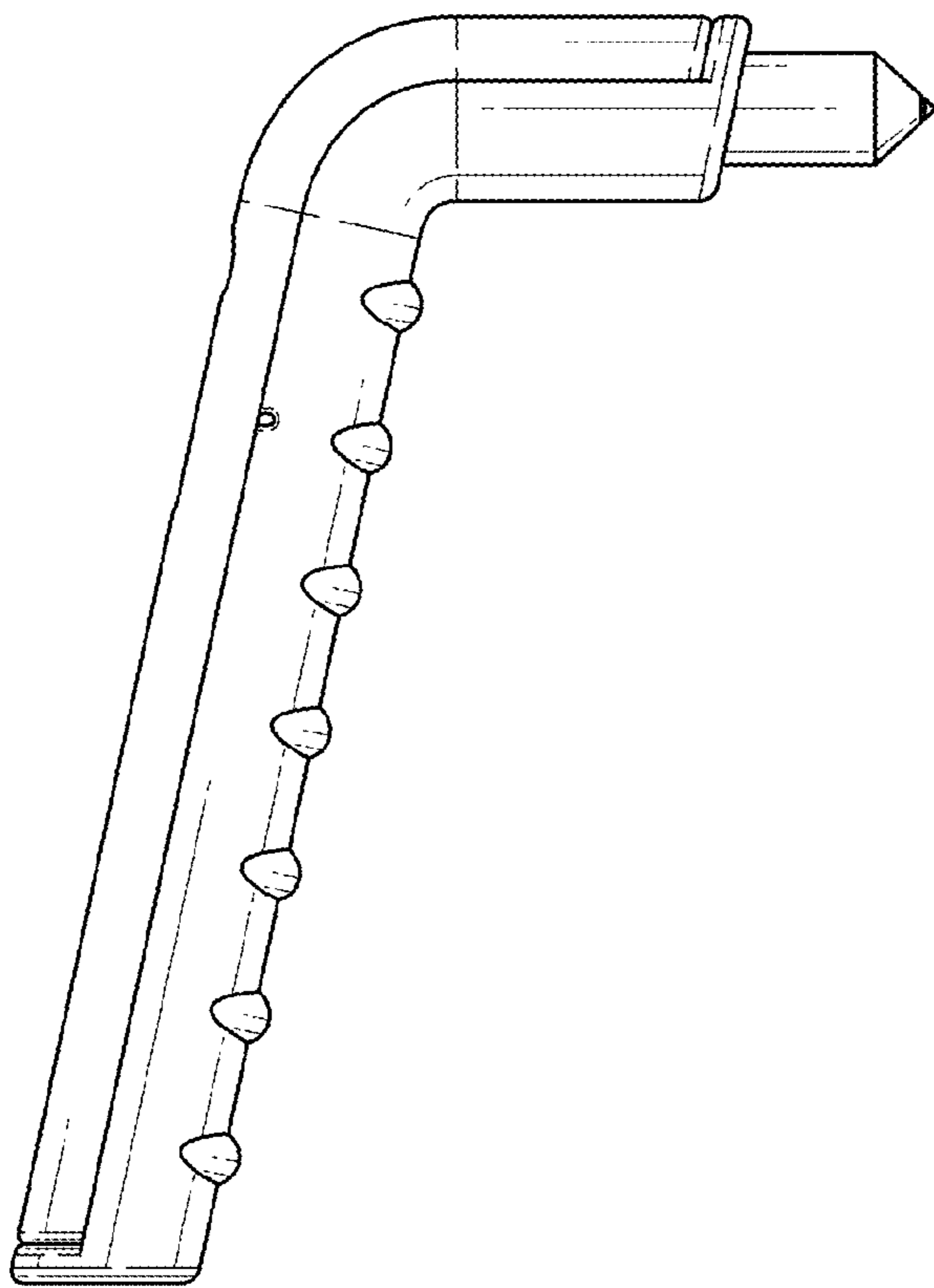


FIG. 4

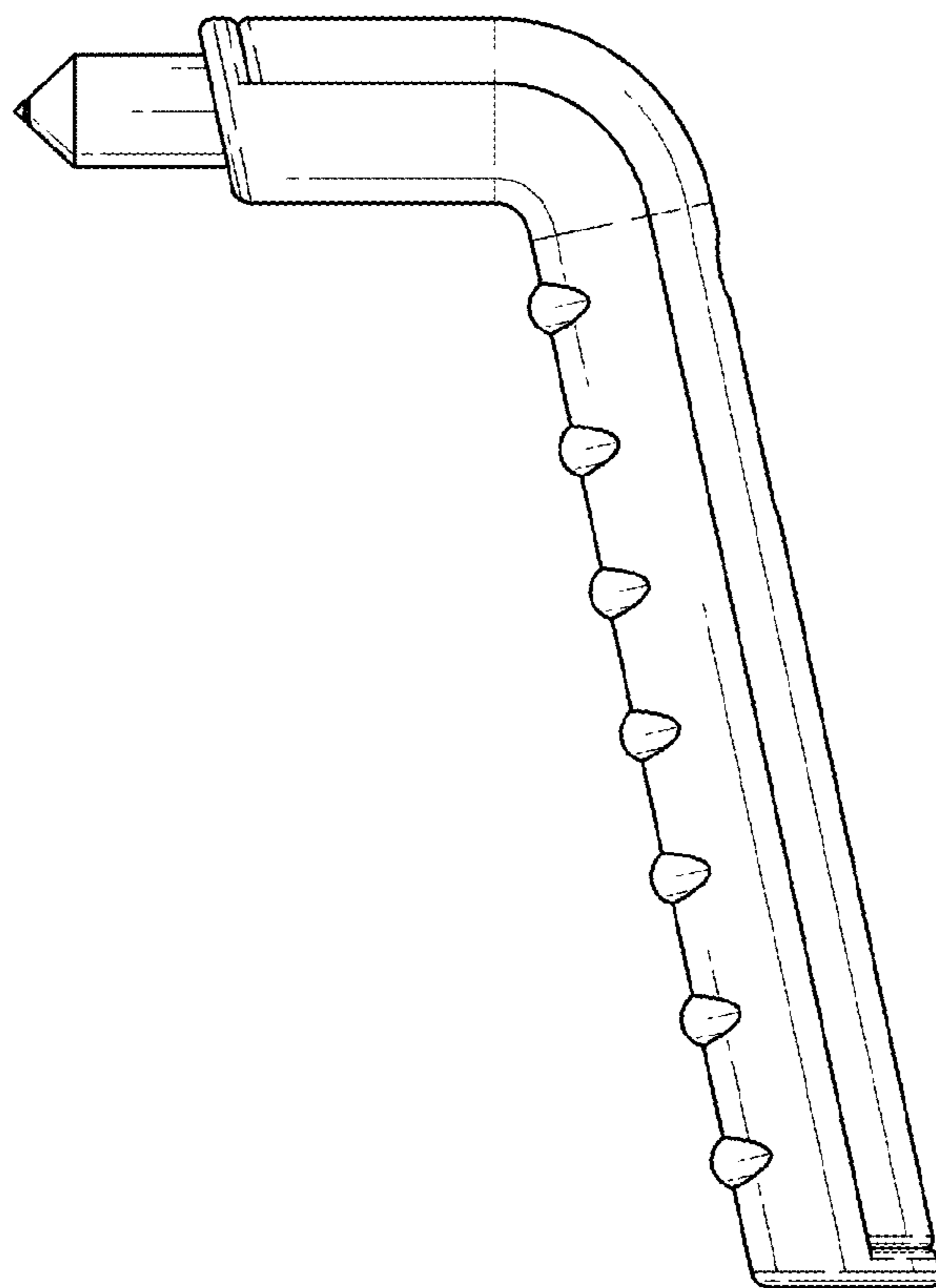


FIG. 5

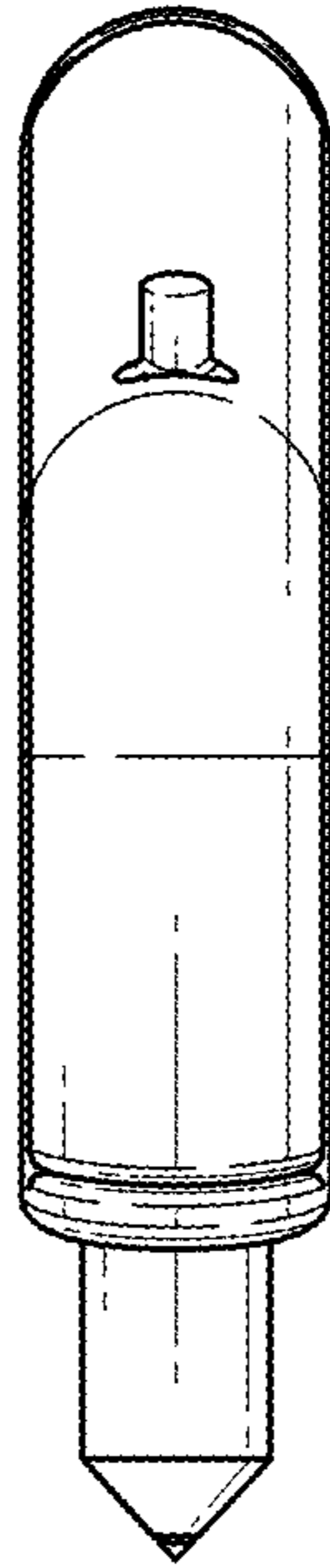


FIG. 6

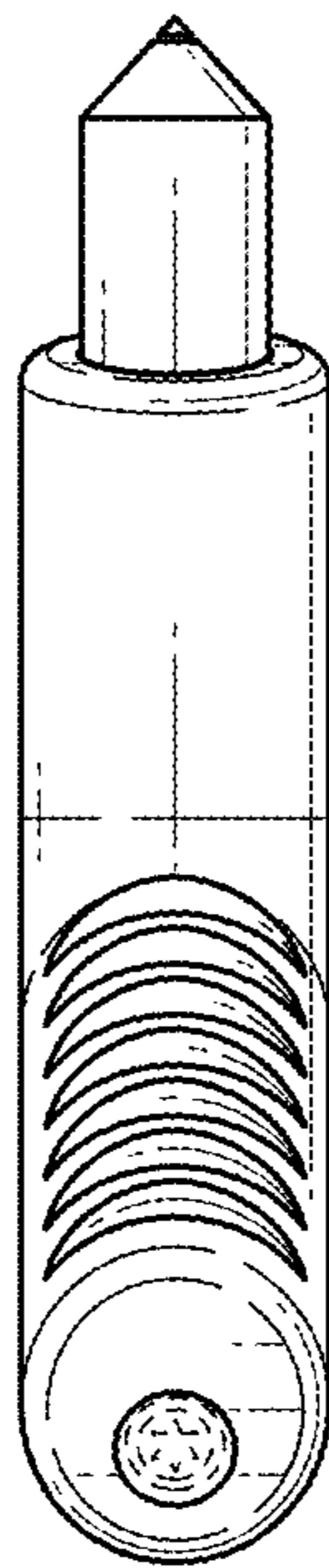


FIG. 7