



US00D926010S

(12) **United States Design Patent**
Harlander

(10) **Patent No.:** **US D926,010 S**

(45) **Date of Patent:** **** Jul. 27, 2021**

(54) **EMERGENCY HAMMER WITH GUARD**

5,642,567 A * 7/1997 Lin A62B 3/005
30/366

(71) Applicant: **EMKA Beschlagteile GmbH & Co.**
KG, Velbert (DE)

D385,771 S * 11/1997 Chiang D8/105
5,903,942 A * 5/1999 Hasegawa B25H 3/006
7/144

(72) Inventor: **Nick Harlander, Leverkusen (DE)**

5,967,444 A * 10/1999 Poffo B25D 1/00
200/300

(73) Assignee: **EMKA BESCHLAGTEILE GMBH &**
CO. KG, Velbert (DE)

D417,130 S * 11/1999 Hollinger D8/105
D420,269 S * 2/2000 Ben-Moshe D8/105

(**) Term: **15 Years**

D498,401 S * 11/2004 Lin D8/105
D499,003 S * 11/2004 Chiang D8/81

(21) Appl. No.: **29/722,532**

D794,408 S * 8/2017 Colasse D8/81
2015/0059529 A1 * 3/2015 Franken B25G 3/24
81/25

(22) Filed: **Jan. 30, 2020**

* cited by examiner

(30) **Foreign Application Priority Data**

Primary Examiner — Philip S Hyder

Aug. 2, 2019 (EM) 006682118

(74) *Attorney, Agent, or Firm* — Thompson Hine LLP

(51) **LOC (13) Cl.** **08-02**

(57) **CLAIM**

(52) **U.S. Cl.**

The ornamental design for an emergency hammer with guard, as shown and described.

USPC **D8/75; D8/81**

(58) **Field of Classification Search**

DESCRIPTION

USPC D14/14, 51, 75, 81, 105, 107
CPC ... B25F 1/006; B25F 1/00; B25D 1/00; A62B
3/005

See application file for complete search history.

FIG. 1 is a perspective view of a new design for an emergency hammer with guard;
FIG. 2 is a front elevational view thereof;
FIG. 3 is a rear elevational view thereof;
FIG. 4 is a right side elevational view thereof;
FIG. 5 is a left side elevational view thereof;
FIG. 6 is a top plan view thereof; and,
FIG. 7 is a bottom plan view thereof.

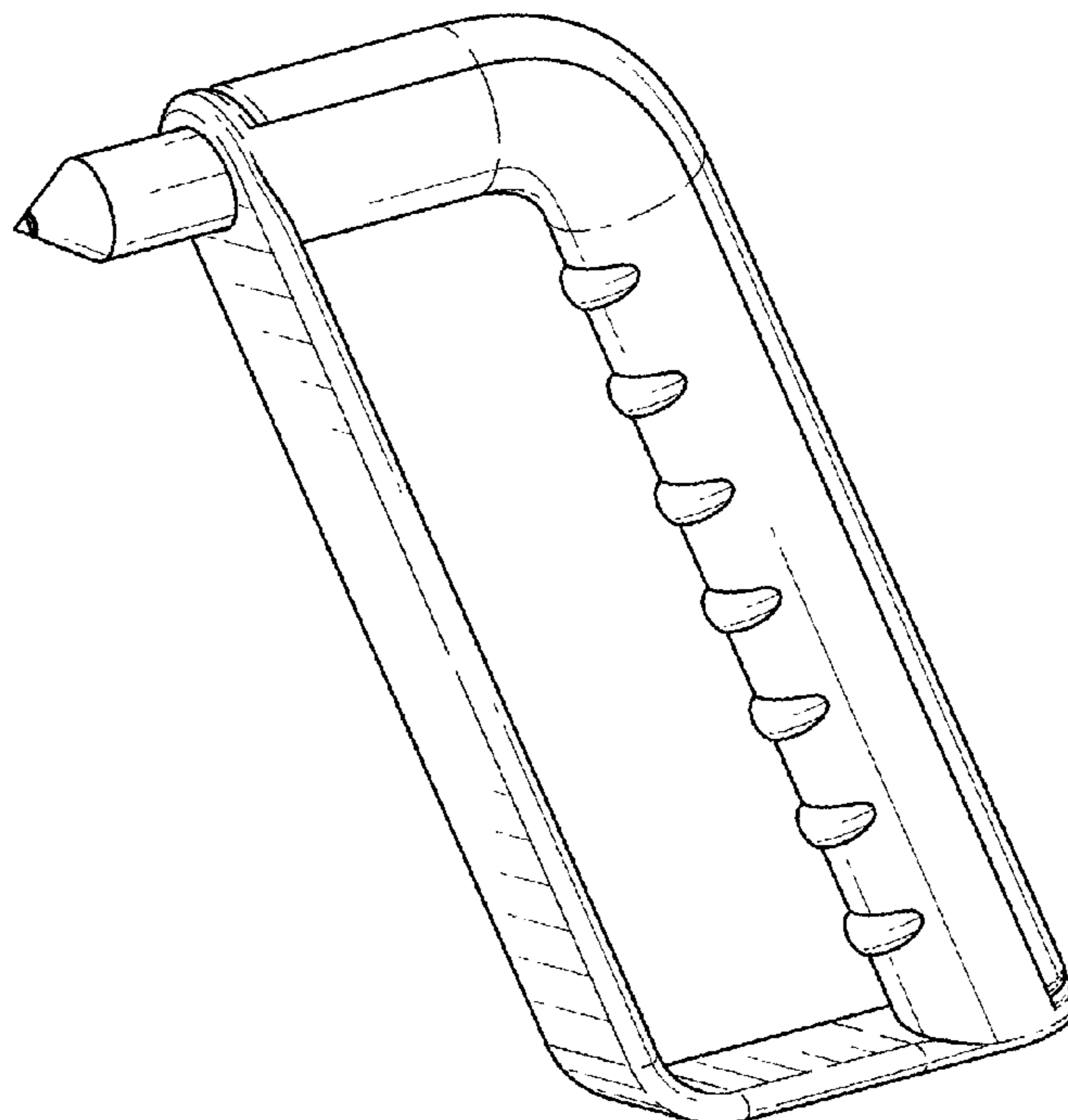
(56) **References Cited**

U.S. PATENT DOCUMENTS

4,592,467 A * 6/1986 Lechner B25F 1/00
206/349
D290,334 S * 6/1987 Reynolds, Jr. D32/48
4,882,956 A * 11/1989 Lang B25D 1/00
81/20
5,251,351 A * 10/1993 Klotz A47L 1/08
7/100

The broken lines depict aspects of the emergency hammer with guard in which the design is embodied that are not considered part of the claimed design.

1 Claim, 4 Drawing Sheets



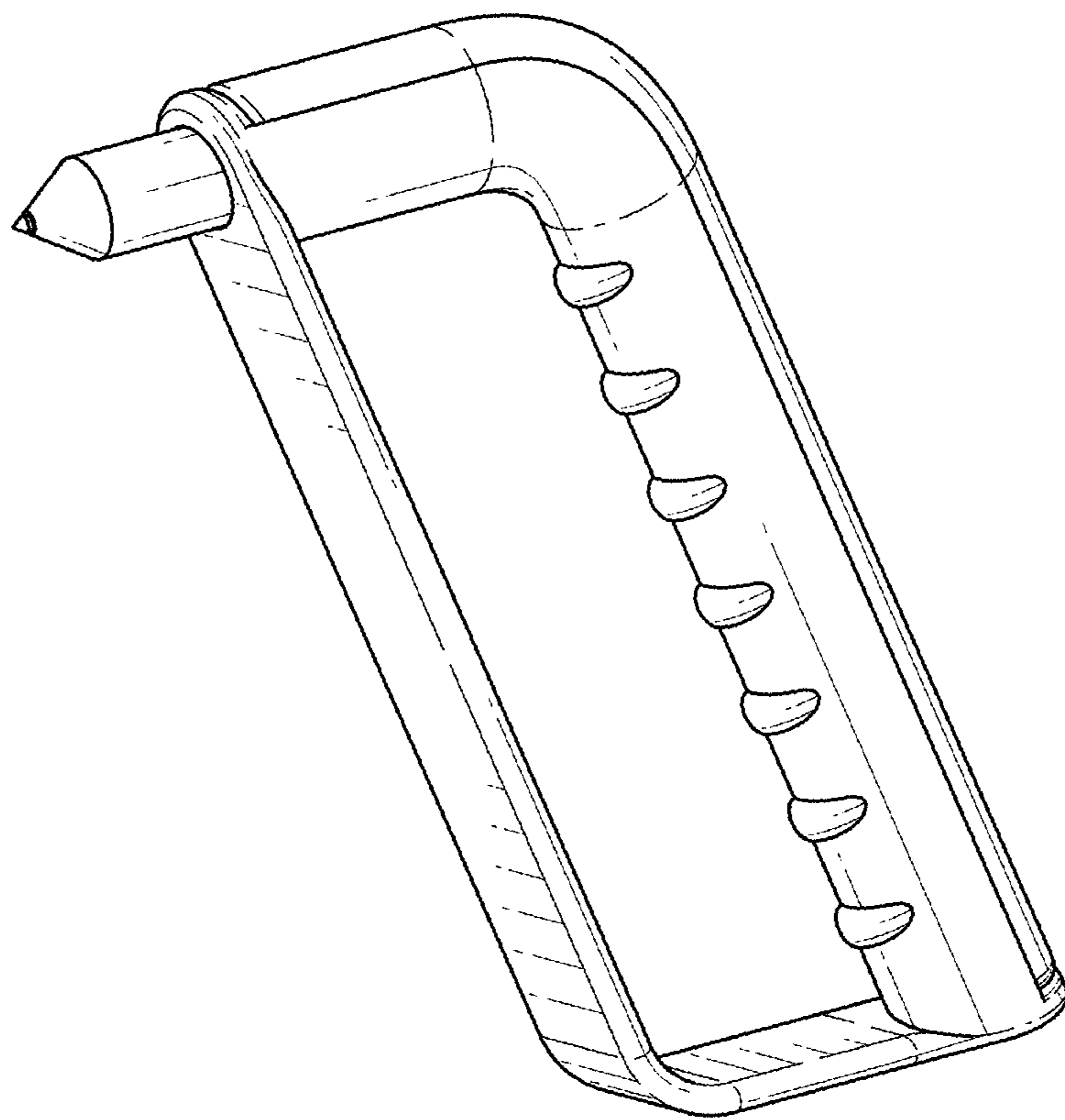


FIG. 1

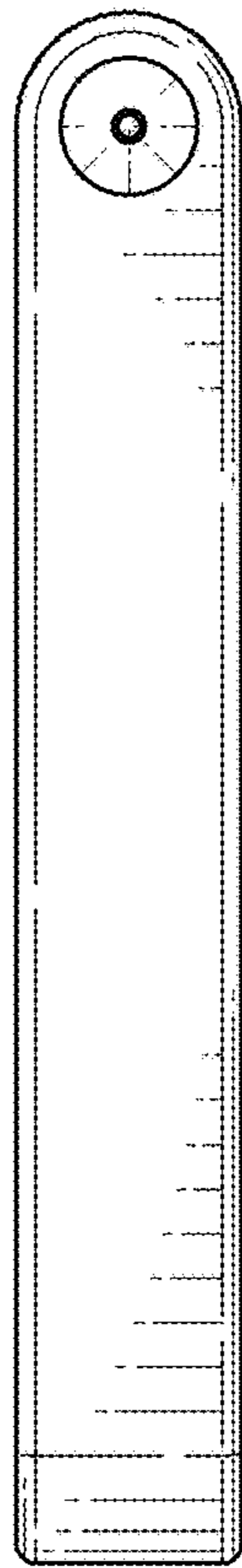


FIG. 2

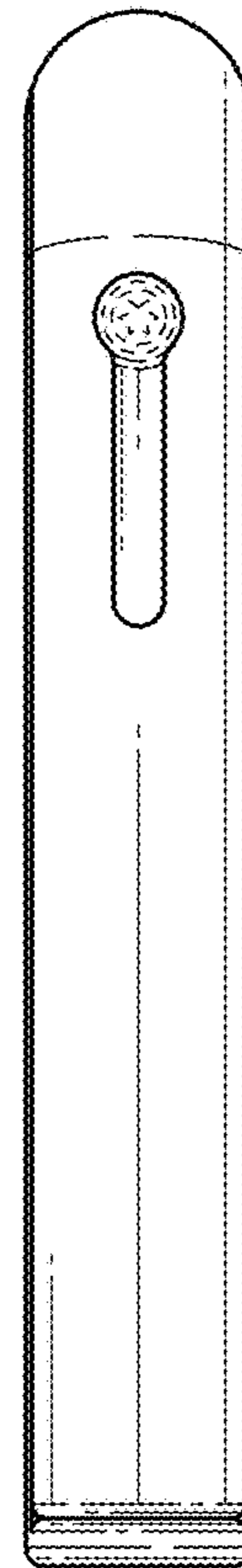


FIG. 3

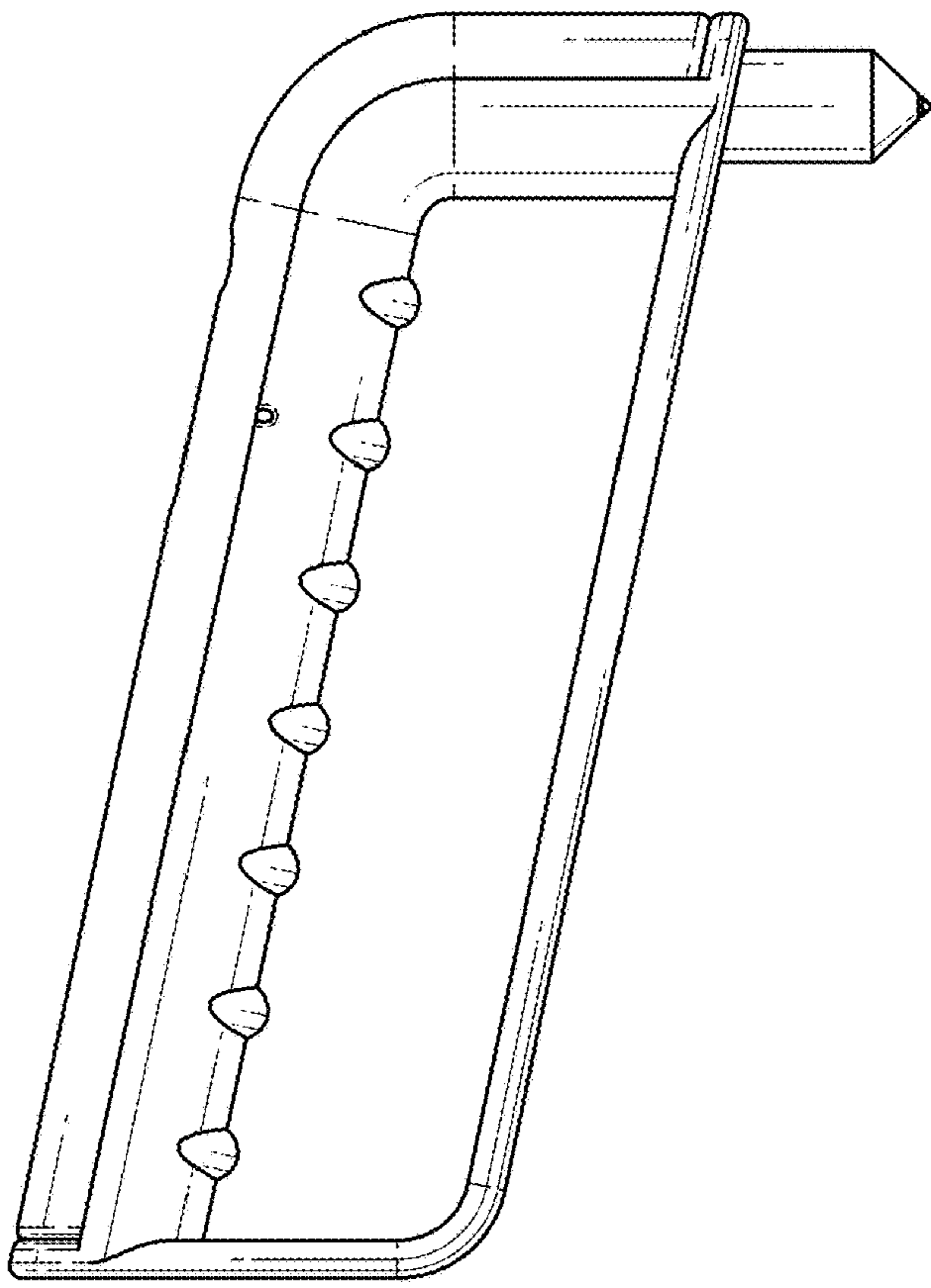


FIG. 4

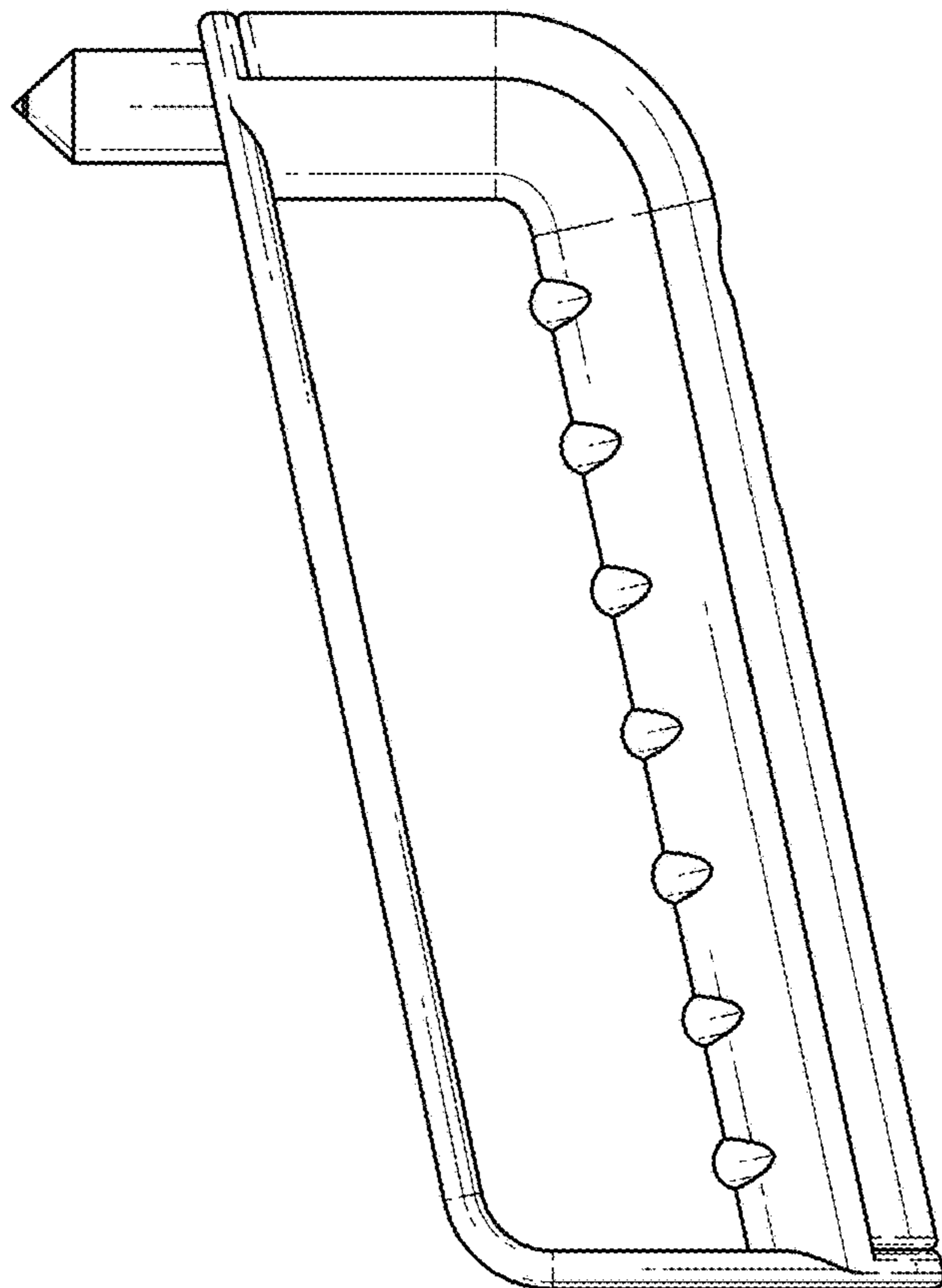


FIG. 5

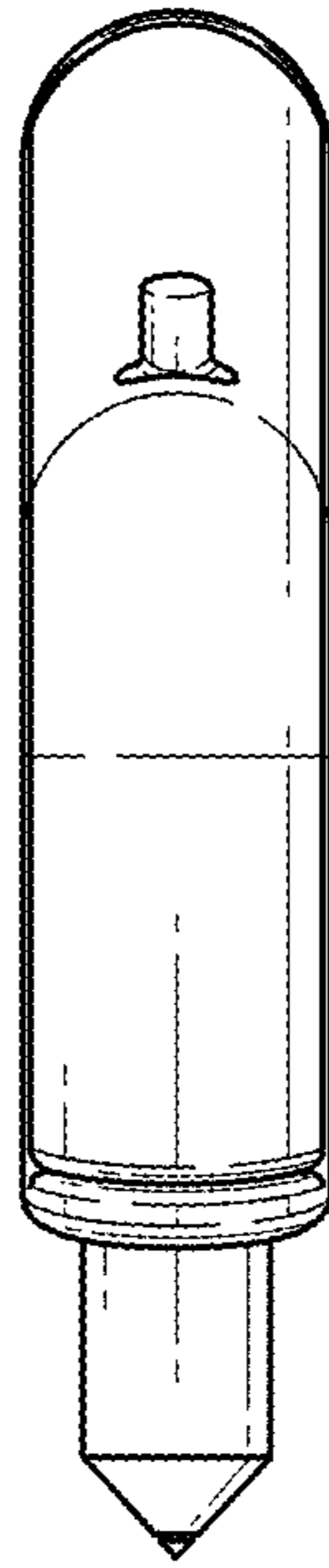


FIG. 6

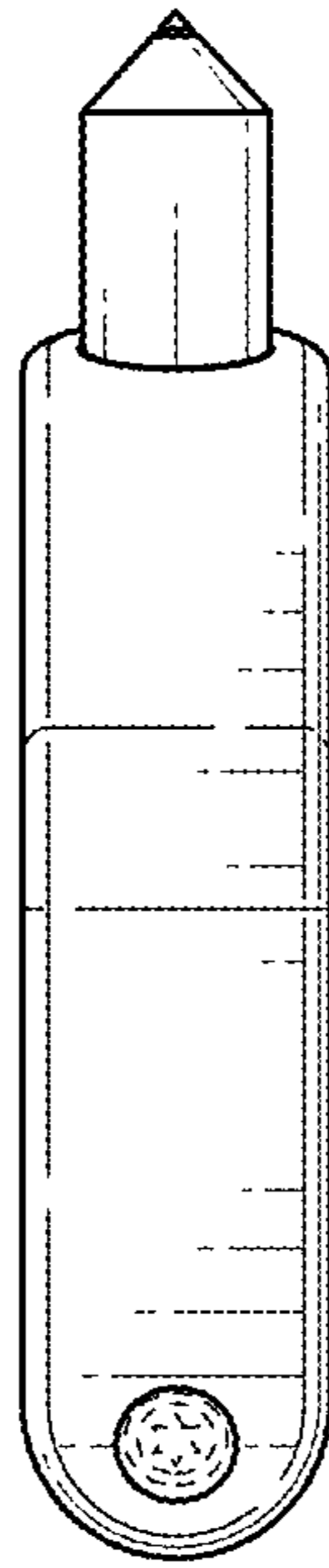


FIG. 7