



US00D926009S

(12) **United States Design Patent**
Wilson et al.

(10) **Patent No.:** **US D926,009 S**
(45) **Date of Patent:** **** Jul. 27, 2021**

- (54) **CHALK REEL END HOOK**
- (71) Applicant: **APEX BRANDS, INC.**, Apex, NC (US)
- (72) Inventors: **Cecil Wilson**, Sandford, NC (US); **Eric Van Fossen**, Huntersville, NC (US)
- (73) Assignee: **APEX BRANDS, INC.**, Apex, NC (US)
- (**) Term: **15 Years**
- (21) Appl. No.: **29/695,151**
- (22) Filed: **Jun. 17, 2019**
- (51) **LOC (13) Cl.** **08-05**
- (52) **U.S. Cl.**
USPC **D8/71; D10/74**
- (58) **Field of Classification Search**
USPC **D8/71; D10/72, 74**
CPC **Y10T 24/45199**
See application file for complete search history.

(56) **References Cited**

U.S. PATENT DOCUMENTS

D409,104 S *	5/1999	Yang	D10/74
6,082,014 A *	7/2000	Beyers	B44D 3/38 33/413
D447,069 S *	8/2001	Budrow	D10/74
D453,303 S *	2/2002	Lin	D10/74
6,345,448 B1 *	2/2002	Chontos	B44D 3/38 33/334
6,915,587 B1 *	7/2005	Scillia	B44D 3/38 33/414
D557,155 S *	12/2007	Sa'ar	D10/74
7,506,454 B1 *	3/2009	Balliet	B44D 3/225 33/414
7,770,300 B2 *	8/2010	Johnson	B44D 3/38 33/414

7,913,408 B2 *	3/2011	Grisham	B44D 3/38 33/414
D653,978 S *	2/2012	Robinson	D10/74
D753,000 S *	4/2016	DeLeo	D10/72
D753,001 S *	4/2016	DeLeo	D10/72
9,701,154 B2 *	7/2017	Parker	B44D 3/38
2010/0011599 A1 *	1/2010	Johnson	B44D 3/38 33/414
2016/0096396 A1 *	4/2016	Khangar	B44D 3/38 33/414
2016/0347117 A1 *	12/2016	Parker	B44D 3/38

* cited by examiner

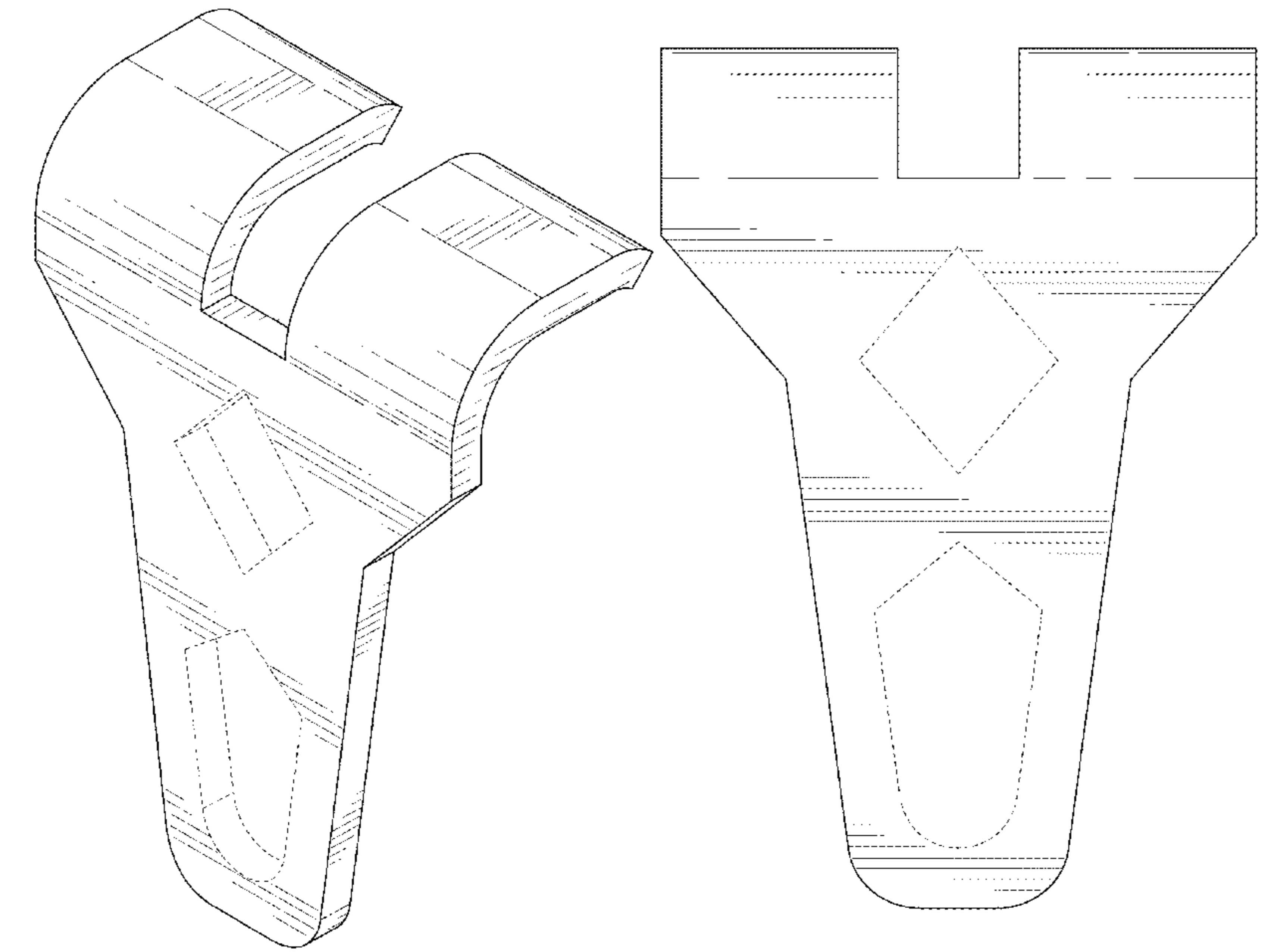
Primary Examiner — Keli L Hill
Assistant Examiner — Harold E Blackwell, II
 (74) *Attorney, Agent, or Firm* — Burr & Forman, LLP

(57) **CLAIM**
 The ornamental design for a chalk reel end hook, as shown and described.

DESCRIPTION

FIG. 1 is a perspective view of a chalk reel end hook showing our new design;
 FIG. 2 is a top view of the chalk reel end hook of FIG. 1;
 FIG. 3 is a bottom view of the chalk reel end hook of FIG. 1;
 FIG. 4 is a left side view of the chalk reel end hook of FIG. 1;
 FIG. 5 is a right side view of the chalk reel end hook of FIG. 1;
 FIG. 6 is a front view of the chalk reel end hook of FIG. 1; and,
 FIG. 7 is a back view of the chalk reel end hook of FIG. 1.
 The broken lines in the drawings illustrate portions of a chalk reel end hook which form no part of the claimed design.

1 Claim, 5 Drawing Sheets



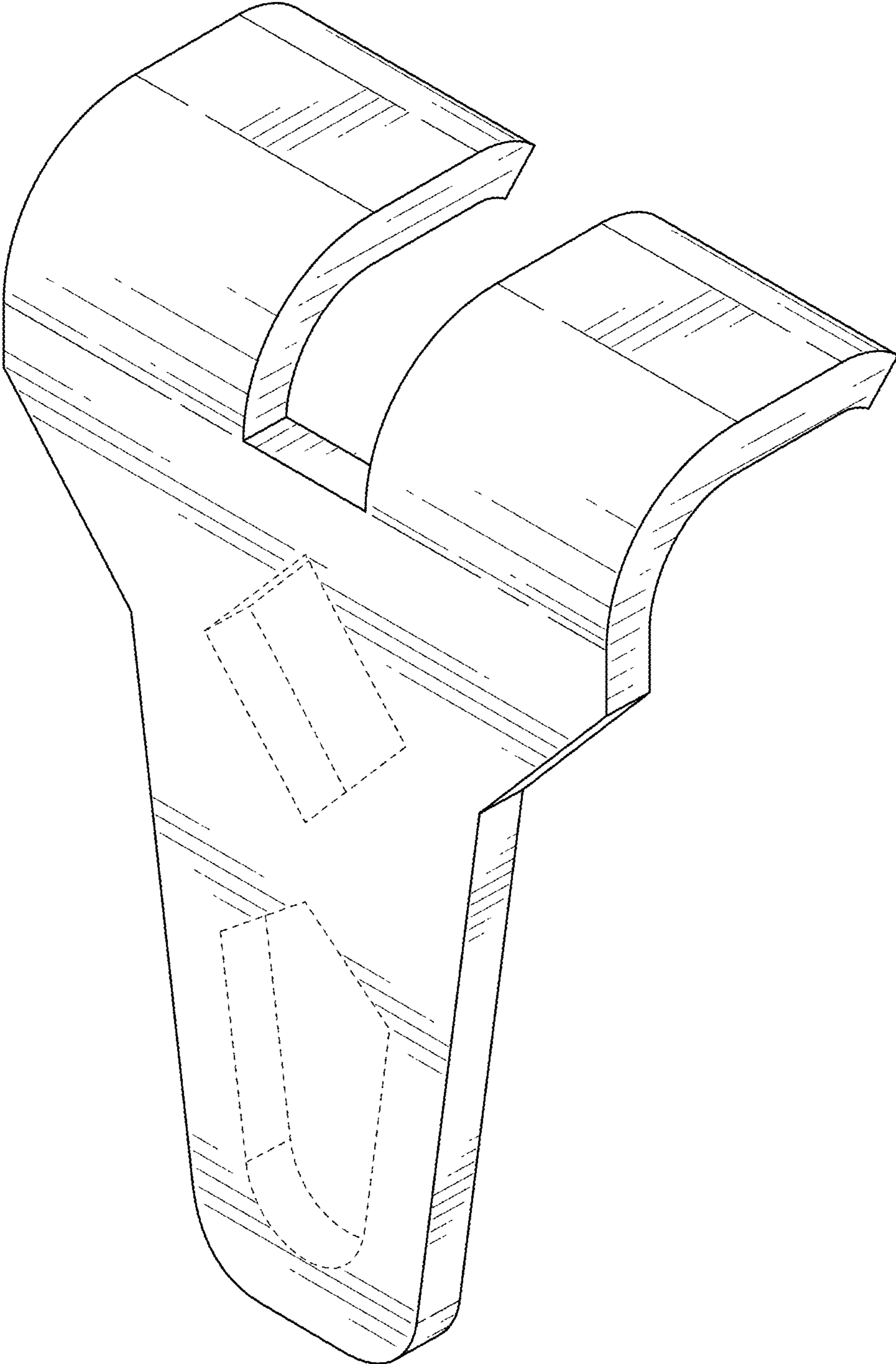


FIG. 1

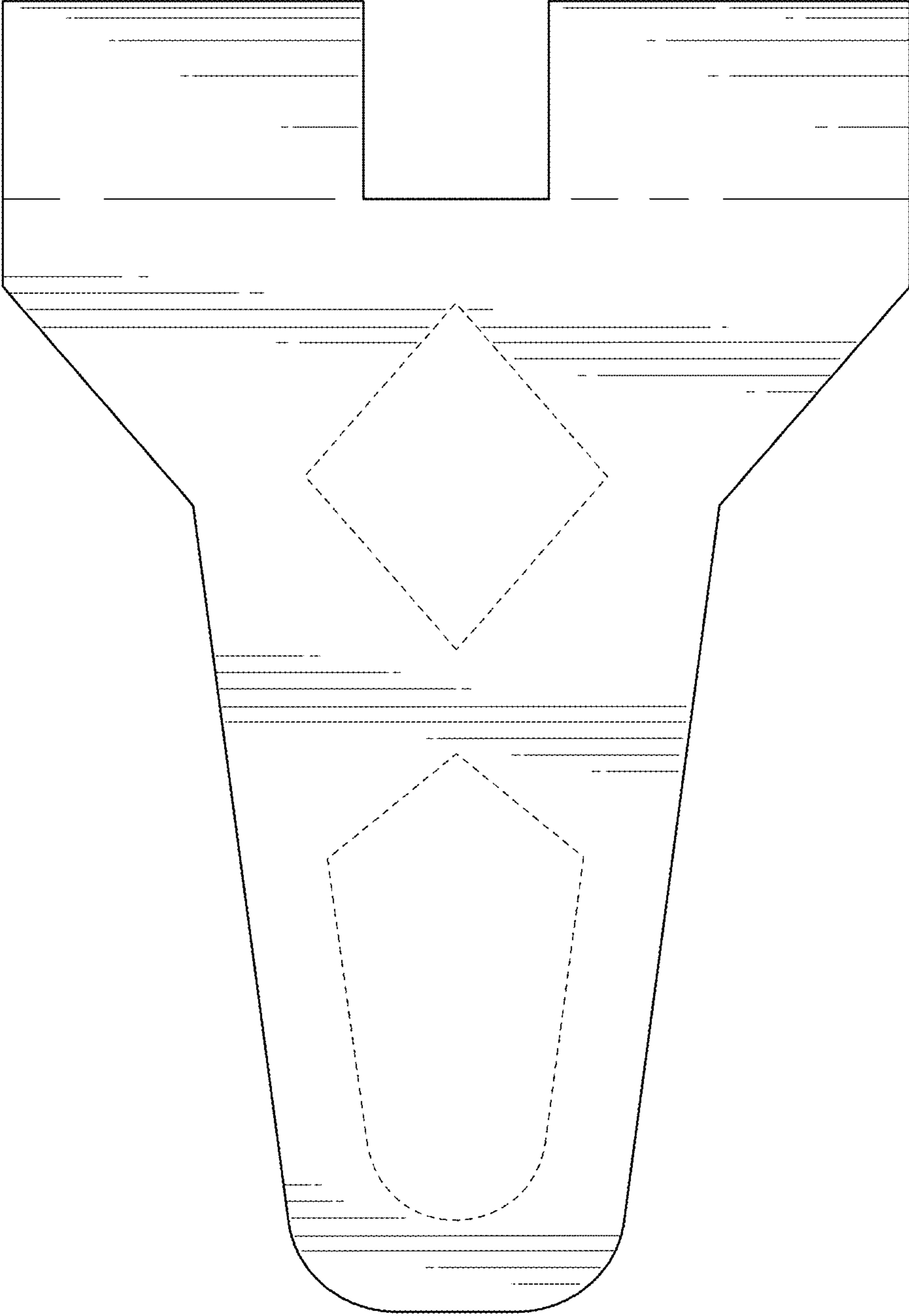


FIG. 2

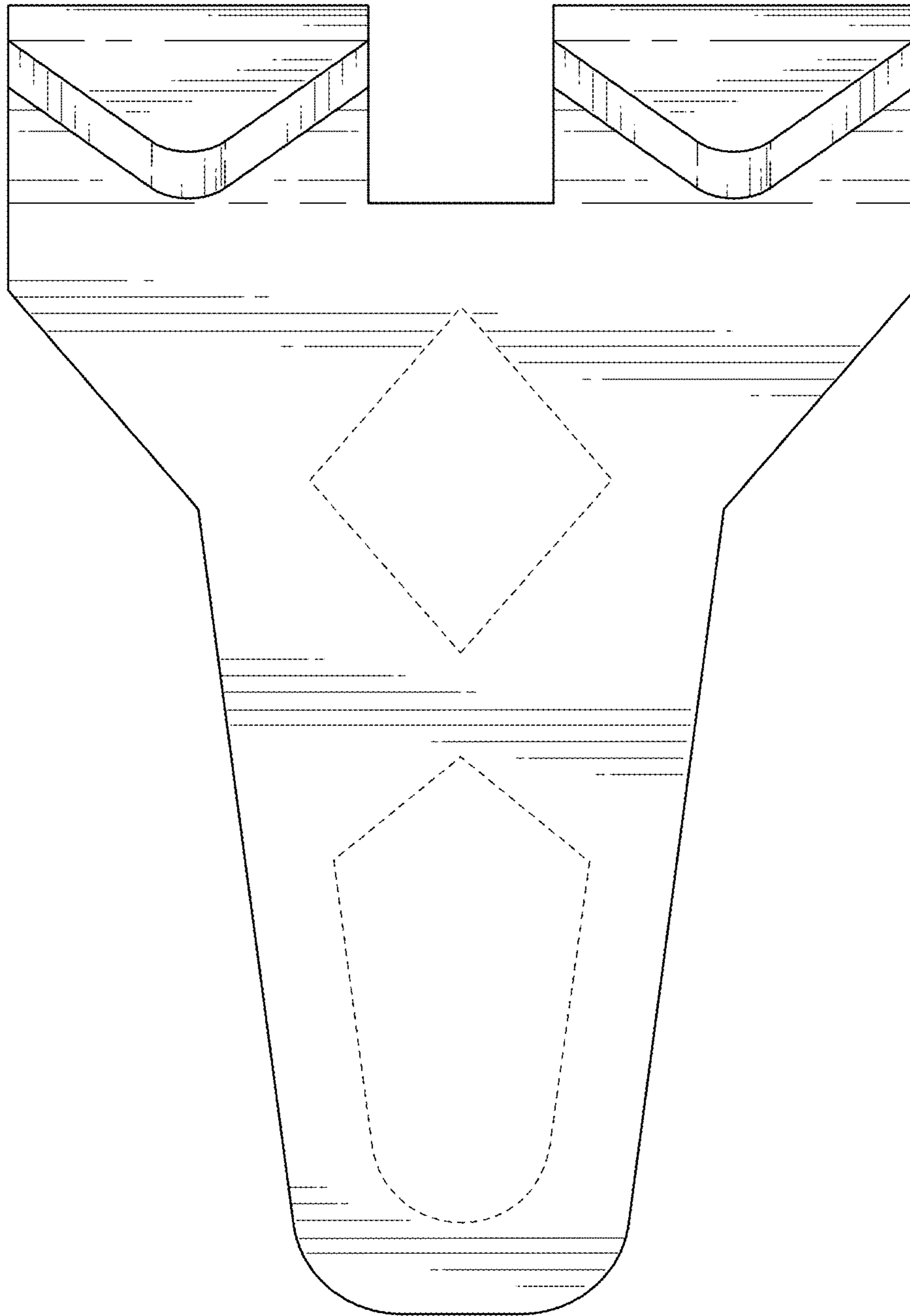


FIG. 3

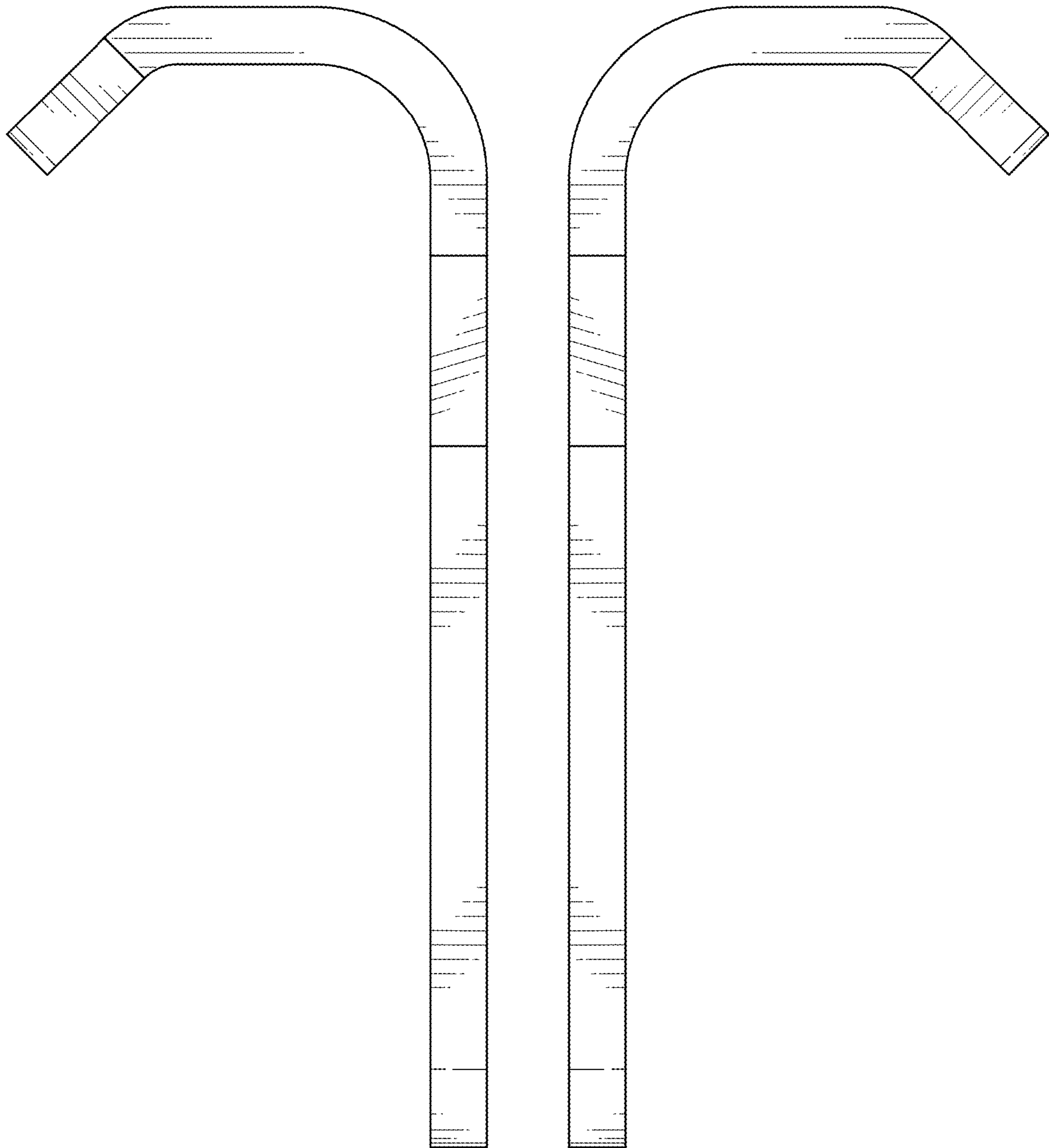


FIG. 4

FIG. 5

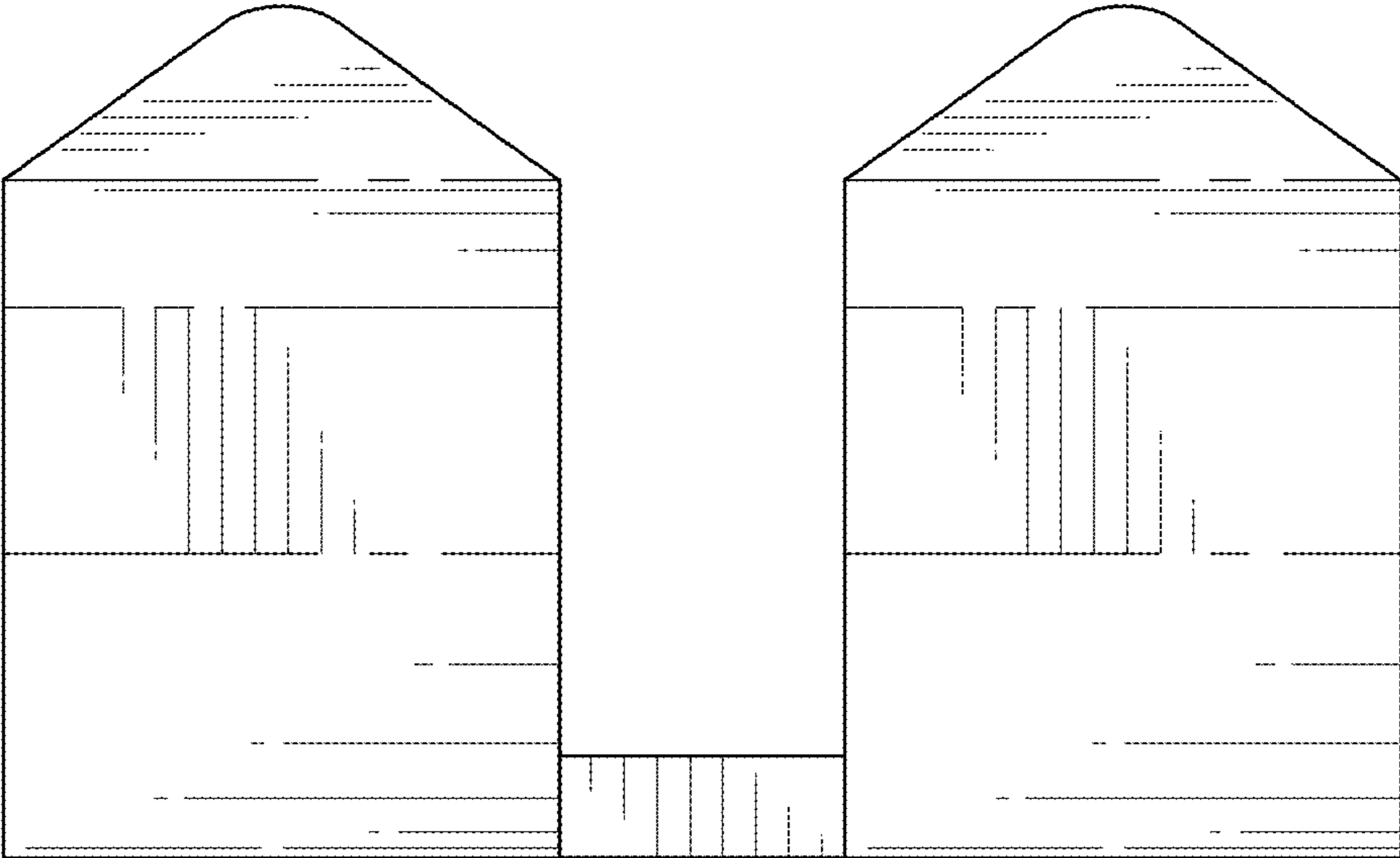


FIG. 6

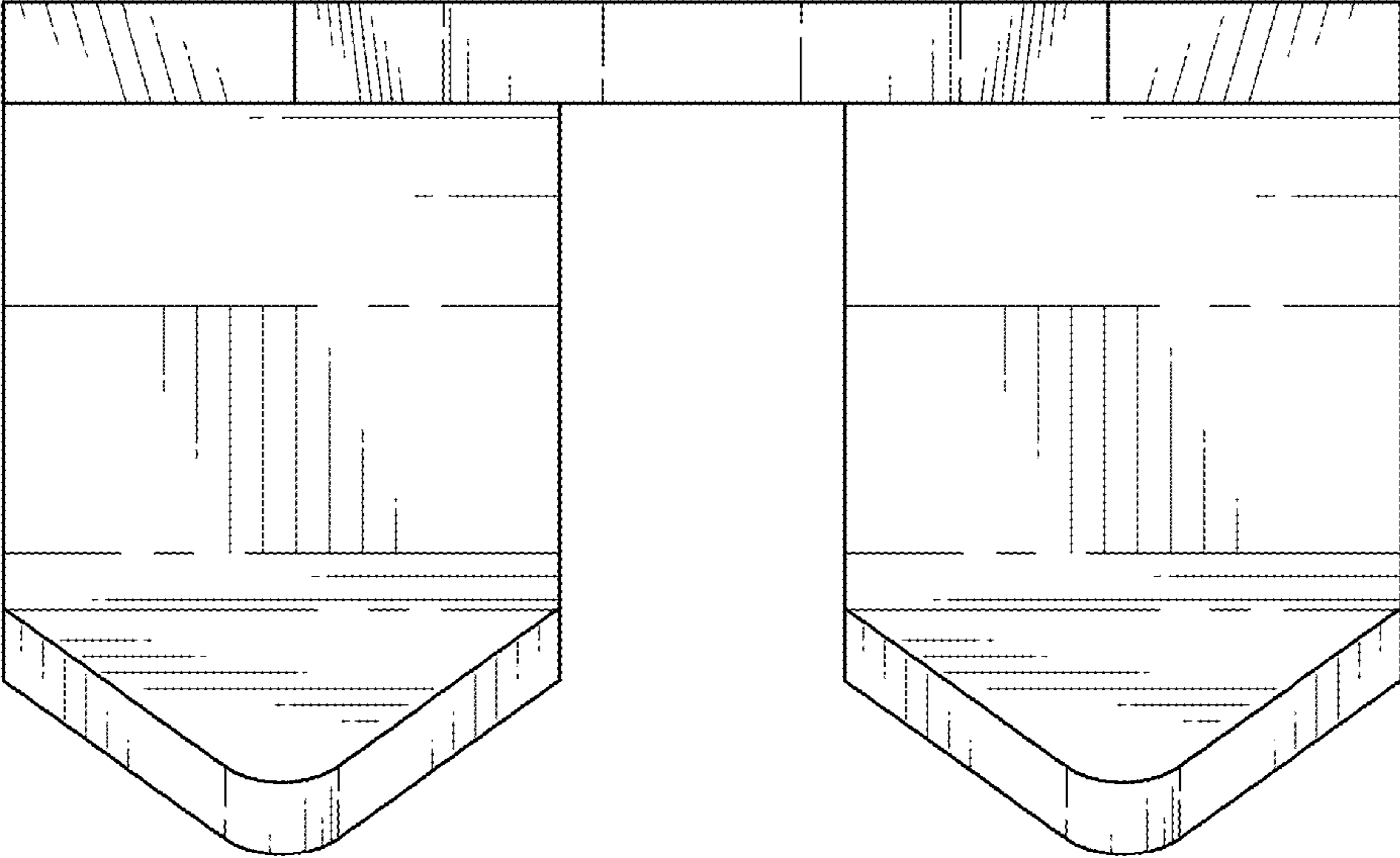


FIG. 7