



US00D926008S

(12) **United States Design Patent** (10) **Patent No.:** **US D926,008 S**  
**Terris et al.** (45) **Date of Patent:** **\*\* Jul. 27, 2021**

(54) **HOLE SAW ARBOR**

FOREIGN PATENT DOCUMENTS

(71) Applicant: **Hole Dynamics, LLC**, Jackson, WY (US)

DE 102006021715 A1 11/2007  
EP 1447195 A1 8/2005

(Continued)

(72) Inventors: **Scott Terris**, Star Valley Ranch, WY (US); **Austin Brackin**, Preston, ID (US)

OTHER PUBLICATIONS

(73) Assignee: **Hole Dynamics, LLC**, Star Valley Ranch, WY (US)

“Lenox Snap-Back™ Arbors.” Lenox., Apr. 2015 [online], [retrieved on Apr. 6, 2021 2021]. Retrieved from the Internet <URL: https://www.lenoxtools.com/Pages/Product\_productId\_SnapBackArbors.aspx>.\*

(\*\*) Term: **15 Years**

(21) Appl. No.: **29/715,574**

*Primary Examiner* — Darlington Ly

(22) Filed: **Dec. 3, 2019**

(74) *Attorney, Agent, or Firm* — Dentons Durham Jones; Sarah W. Matthews

**Related U.S. Application Data**

(63) Continuation of application No. 29/645,092, filed on Apr. 24, 2018, now Pat. No. Des. 871,877.

(57) **CLAIM**

(51) **LOC (13) Cl.** ..... **08-05**

We claim the ornamental design for a hole saw arbor substantially, as shown and described.

(52) **U.S. Cl.**

USPC ..... **D8/70**

(58) **Field of Classification Search**

**DESCRIPTION**

USPC ..... D8/70; D15/140

CPC ..... B23B 31/107; B23B 31/4073; B23B

51/0426; B23B 51/0473; B27B 5/32;

B27B 5/34; B23D 61/025

See application file for complete search history.

FIG. 1 is a front, top, and left side perspective view of a hole saw arbor showing our new design;  
FIG. 2 is a left-side elevational view thereof;  
FIG. 3 is a right-side elevational view thereof;  
FIG. 4 is a front elevational view thereof;  
FIG. 5 is a rear elevational view thereof;  
FIG. 6 is a top plan view thereof;  
FIG. 7 is a bottom plan view thereof;  
FIG. 8 is a rear, top, and left side perspective view thereof;  
FIG. 9 is a front, bottom, and left side perspective view thereof; and,  
FIG. 10 is a rear, bottom and left side perspective view thereof.

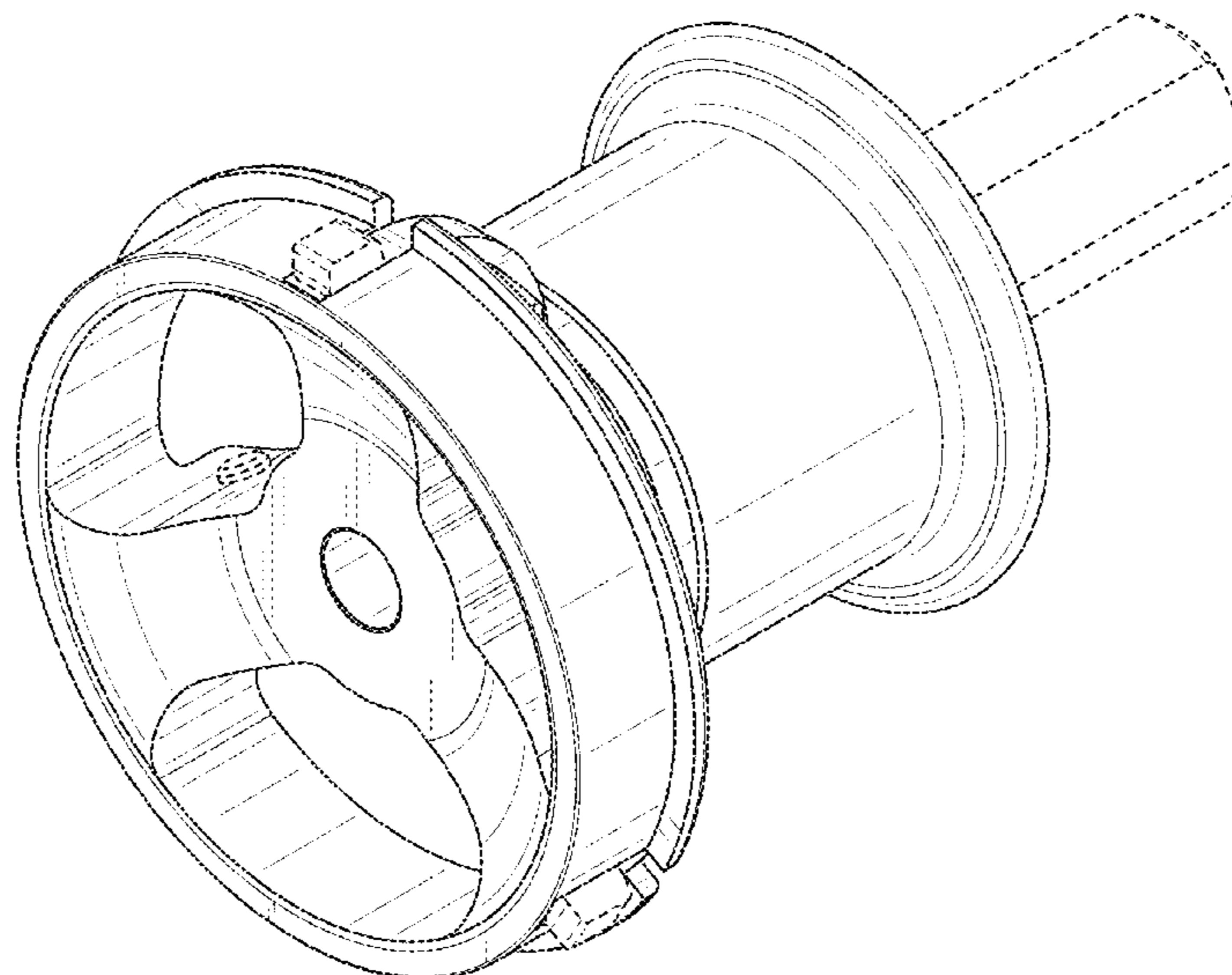
(56) **References Cited**

**U.S. PATENT DOCUMENTS**

2,480,595 A 8/1949 Moyer et al.  
D319,565 S \* 9/1991 Krogsgaard ..... D8/70  
D460,469 S \* 7/2002 Yue ..... D15/140  
D474,954 S \* 5/2003 Kim ..... D15/126  
6,796,888 B2 \* 9/2004 Jasch ..... B23B 31/008  
451/342  
6,802,764 B2 \* 10/2004 Besch ..... B26B 7/00  
30/340  
6,926,476 B1 8/2005 Miyanaga et al.

The broken lines in the drawings illustrate portions of the hole saw arbor that form no part of the claimed design.

(Continued) **1 Claim, 10 Drawing Sheets**



(56)

**References Cited**

U.S. PATENT DOCUMENTS

6,945,862 B2 \* 9/2005 Jasch ..... B23B 31/008  
 451/342  
 6,966,730 B1 11/2005 Miyanaga  
 7,273,412 B1 \* 9/2007 Sun ..... B24D 13/20  
 451/490  
 7,556,401 B2 \* 7/2009 Smith ..... B23D 59/003  
 362/253  
 D623,034 S \* 9/2010 Evatt ..... D8/70  
 D633,769 S \* 3/2011 Evatt ..... D8/70  
 D646,542 S \* 10/2011 Wackwitz ..... 8/70  
 8,048,078 B2 11/2011 Reinhard  
 8,100,612 B2 1/2012 Miyanaga  
 D653,523 S \* 2/2012 Wackwitz ..... D8/354  
 D665,242 S \* 8/2012 Wackwitz ..... 8/70  
 8,366,356 B2 \* 2/2013 Novak ..... B23B 51/0473  
 408/204  
 D714,119 S \* 9/2014 Graber ..... D8/70  
 D719,199 S \* 12/2014 Kurusu ..... D15/138  
 D719,591 S \* 12/2014 Kurusu ..... D15/138

8,915,499 B2 \* 12/2014 Kaye, Jr. .... B27B 5/30  
 279/141  
 9,022,703 B2 \* 5/2015 Keightley ..... B23B 51/0473  
 408/204  
 RE46,103 E \* 8/2016 Novak ..... B23B 51/0473  
 9,751,135 B1 9/2017 Terris  
 D802,391 S \* 11/2017 Cuzdey ..... D8/70  
 9,821,380 B1 11/2017 Terris  
 D811,843 S \* 3/2018 Matsui ..... D8/70  
 10,265,778 B2 \* 4/2019 Kaye, Jr. .... B23B 31/10  
 2003/0217743 A1 \* 11/2003 Gardner ..... B27B 5/08  
 125/13.01  
 2014/0126973 A1 5/2014 Pamatmat

FOREIGN PATENT DOCUMENTS

FR	951001	10/1949
JP	02292107 A	12/1990
JP	0475812 A	3/1992
JP	0475813 A	3/1992
JP	2000-246727 A	9/2000

\* cited by examiner

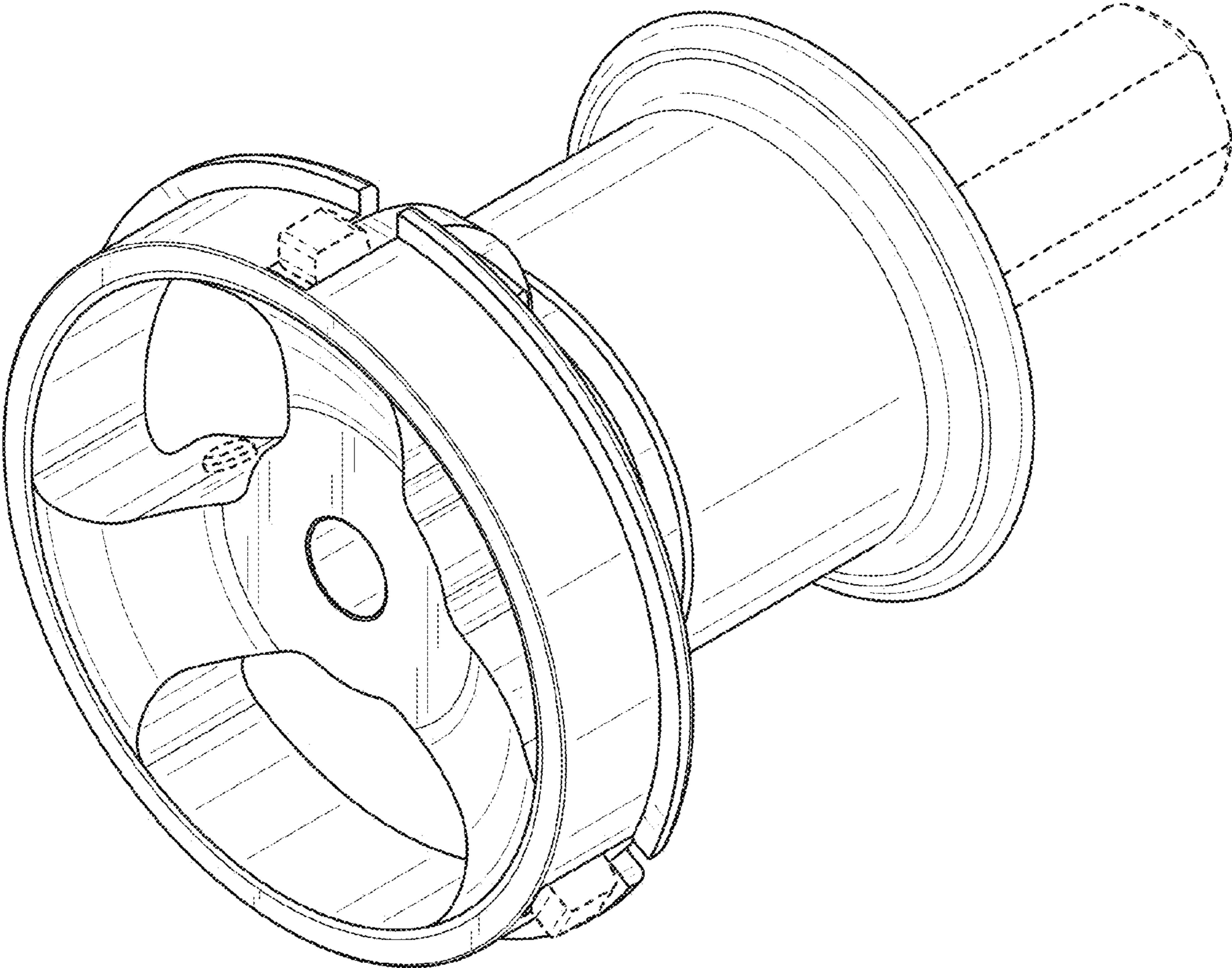


FIG. 1

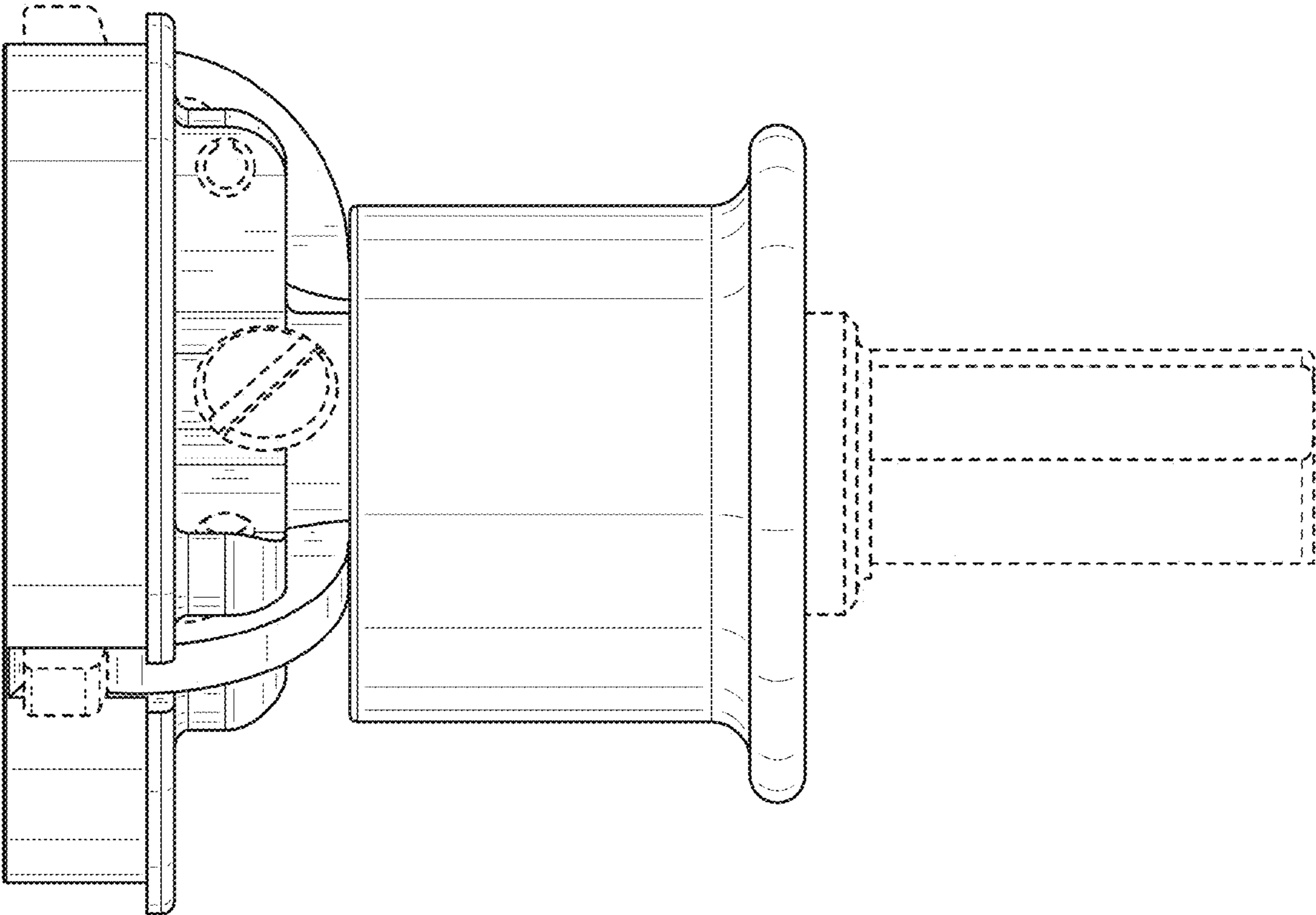


FIG. 2

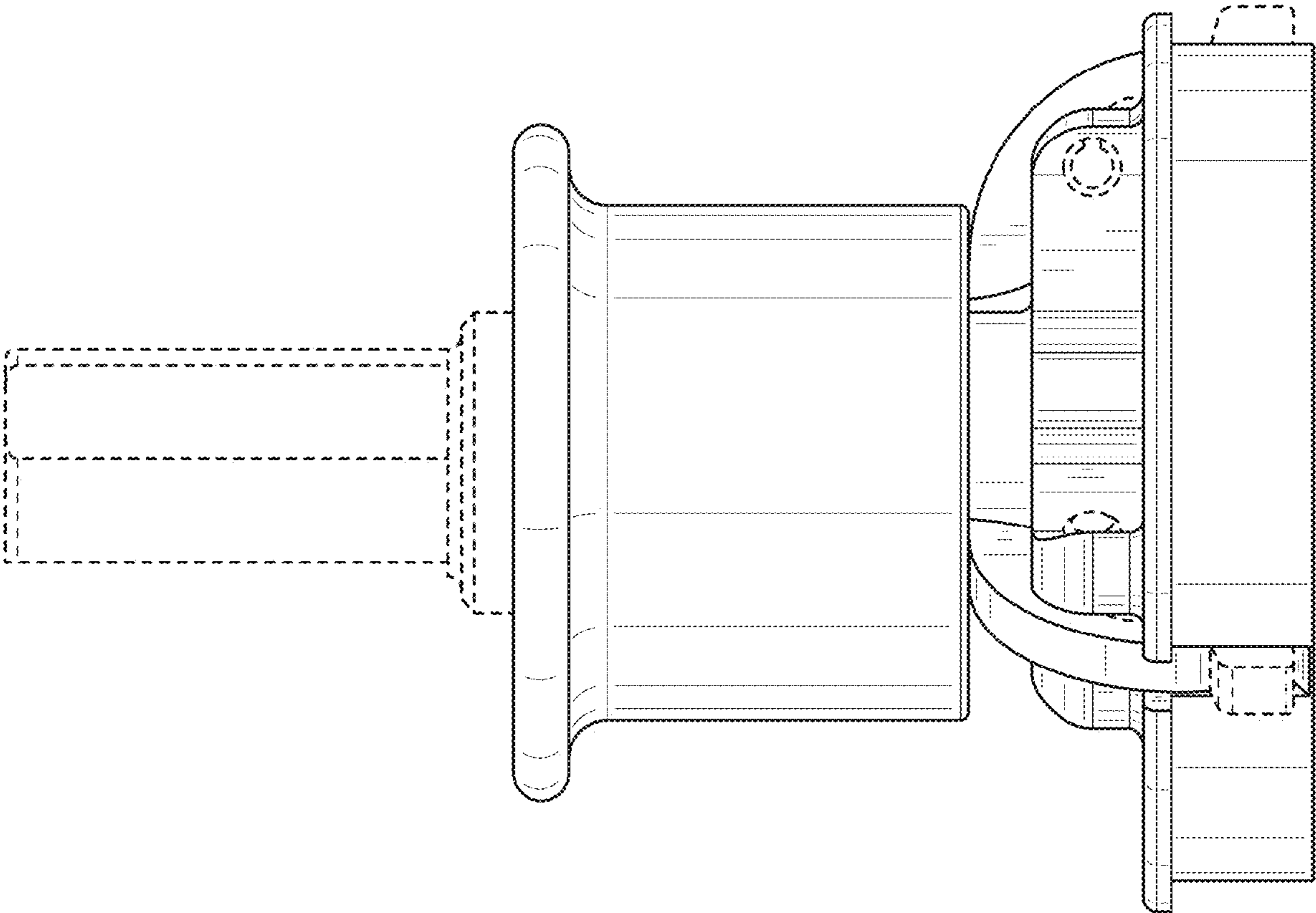


FIG. 3

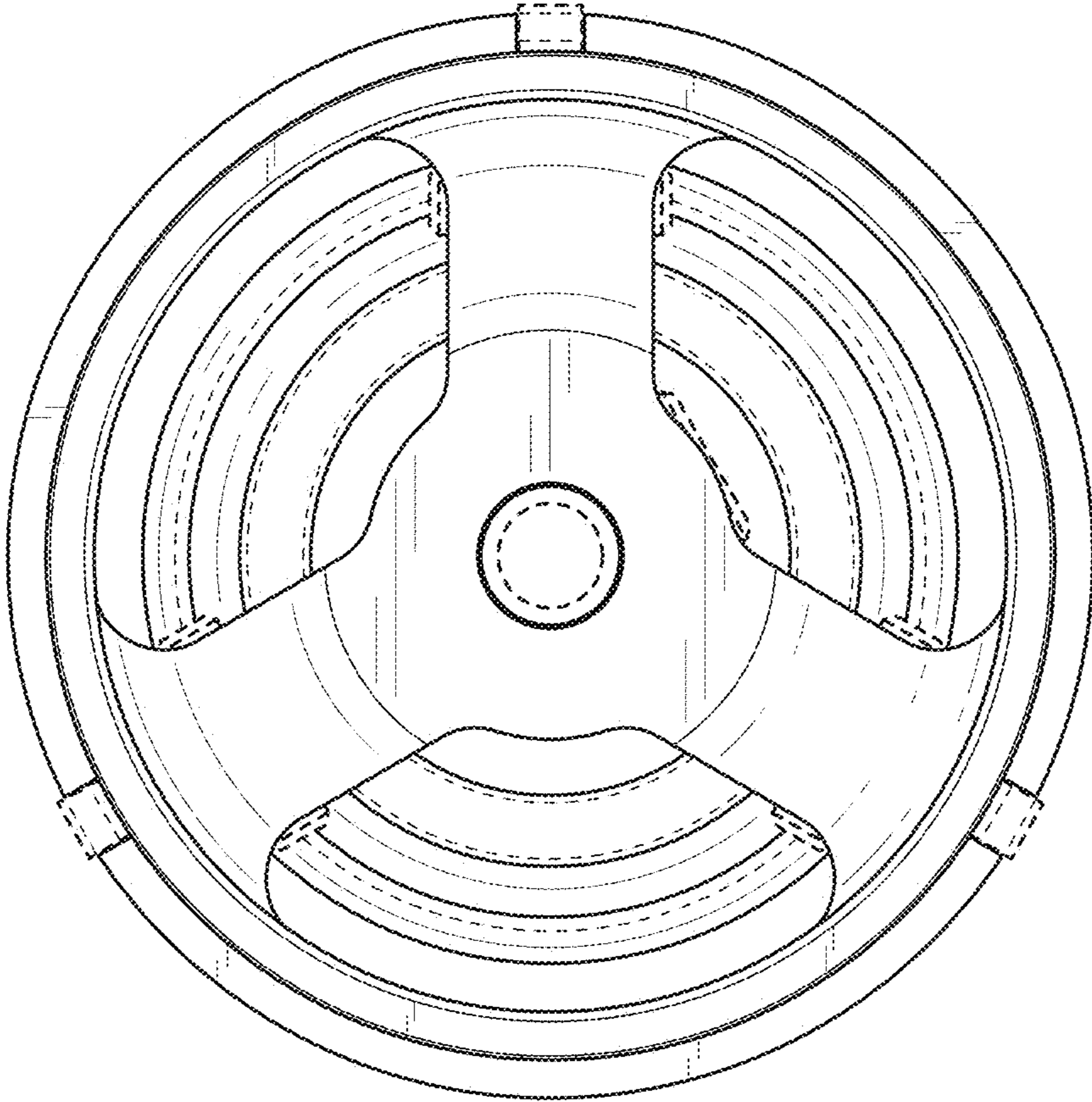


FIG. 4

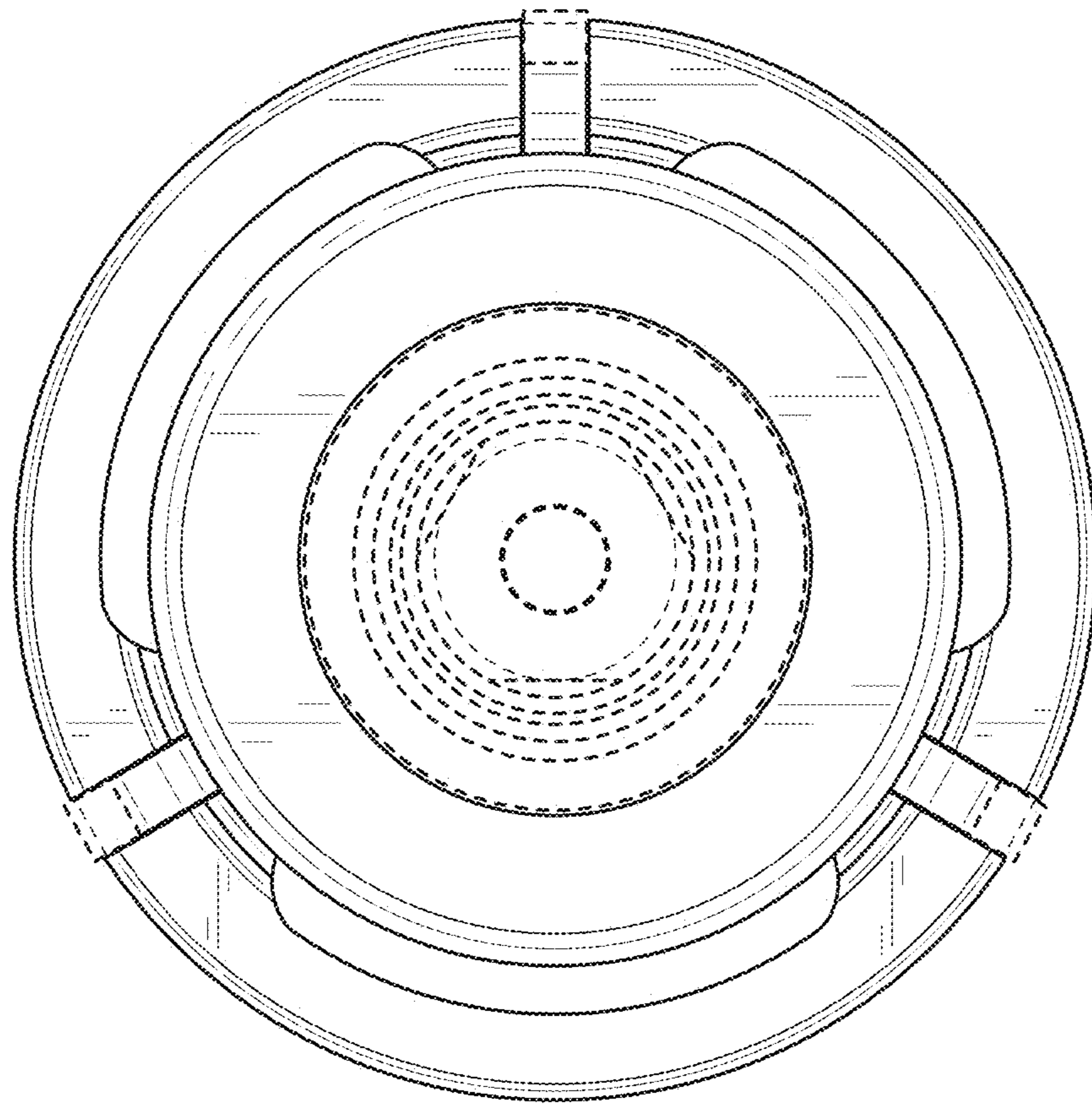


FIG. 5

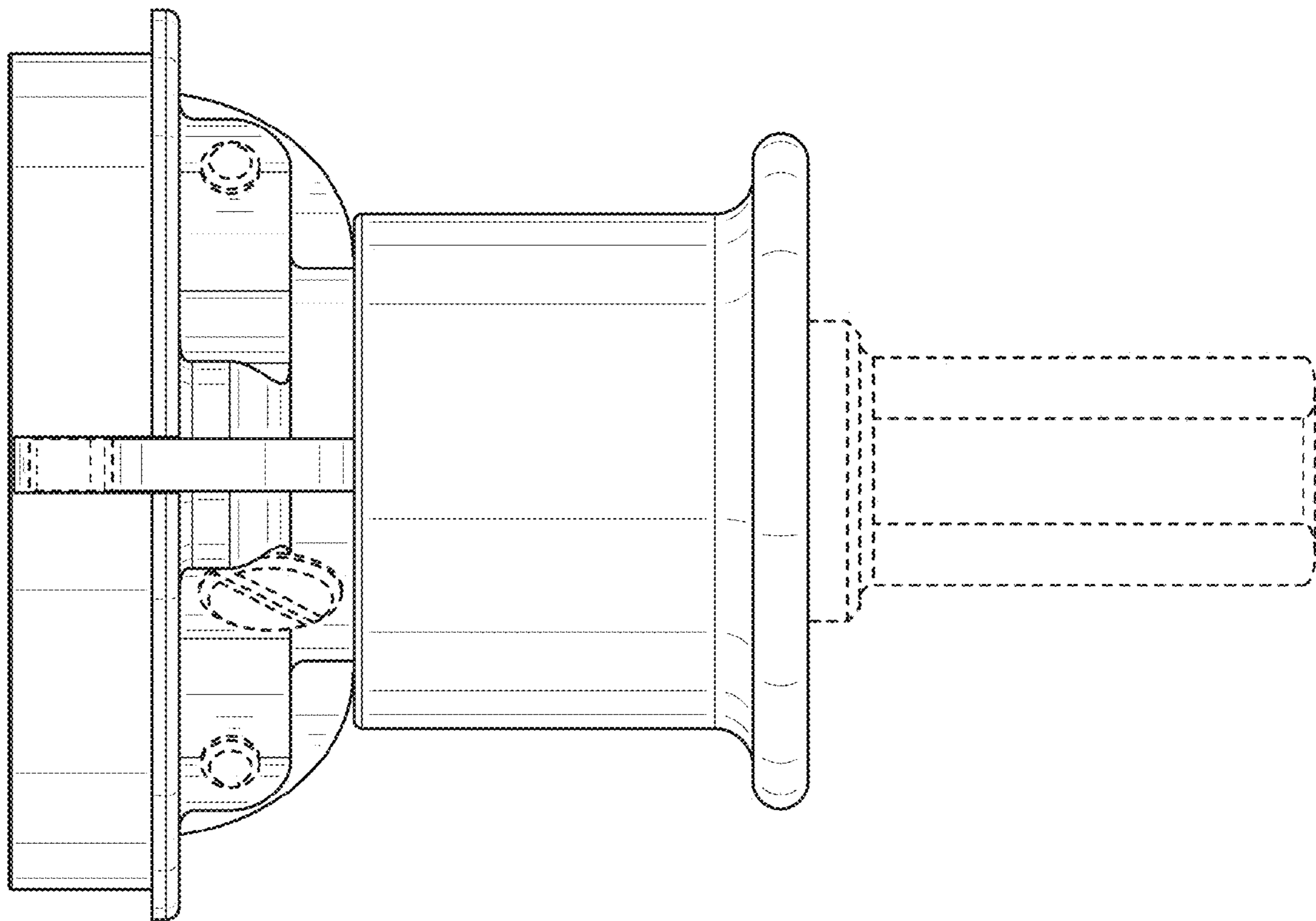


FIG. 6



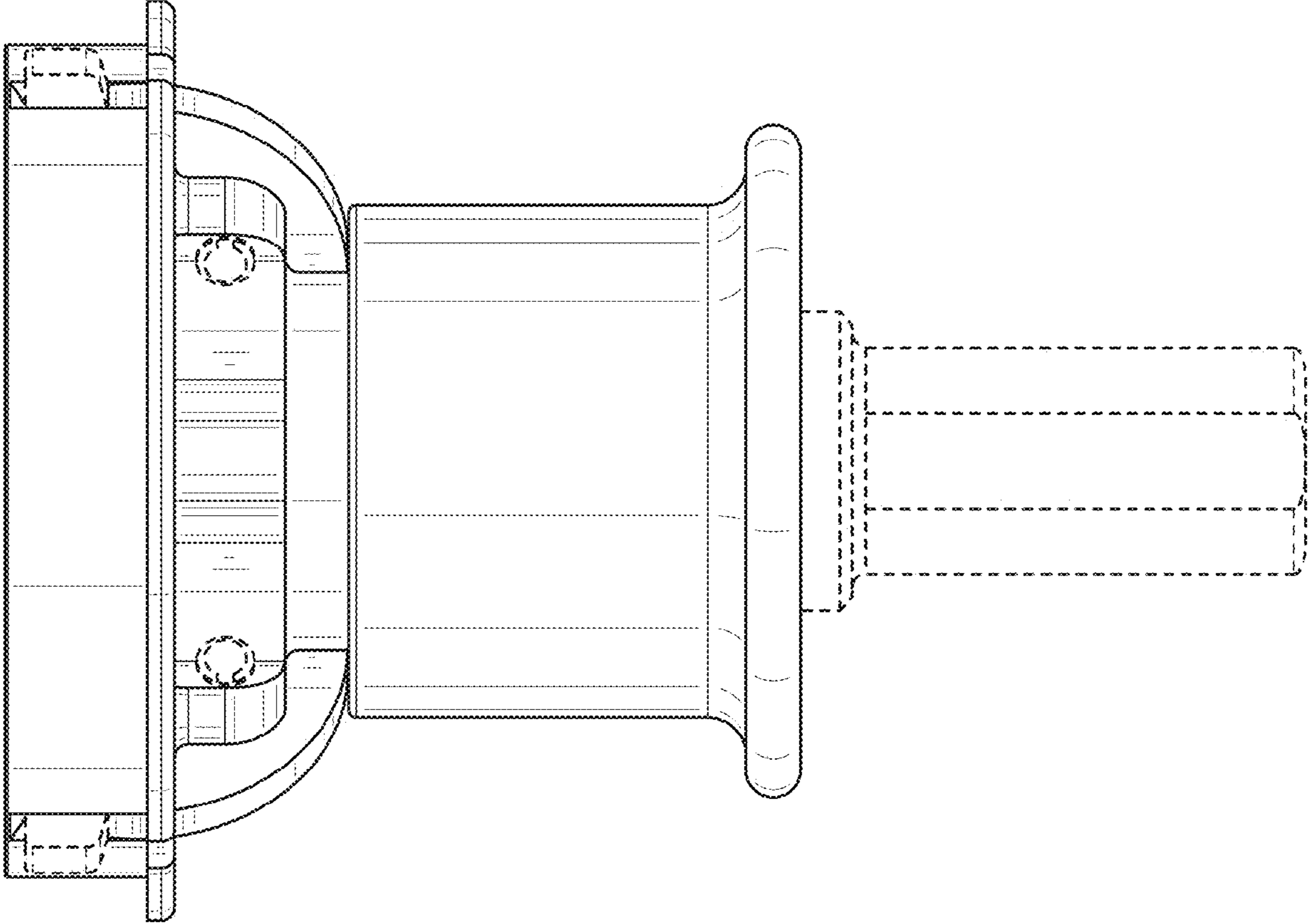


FIG. 7

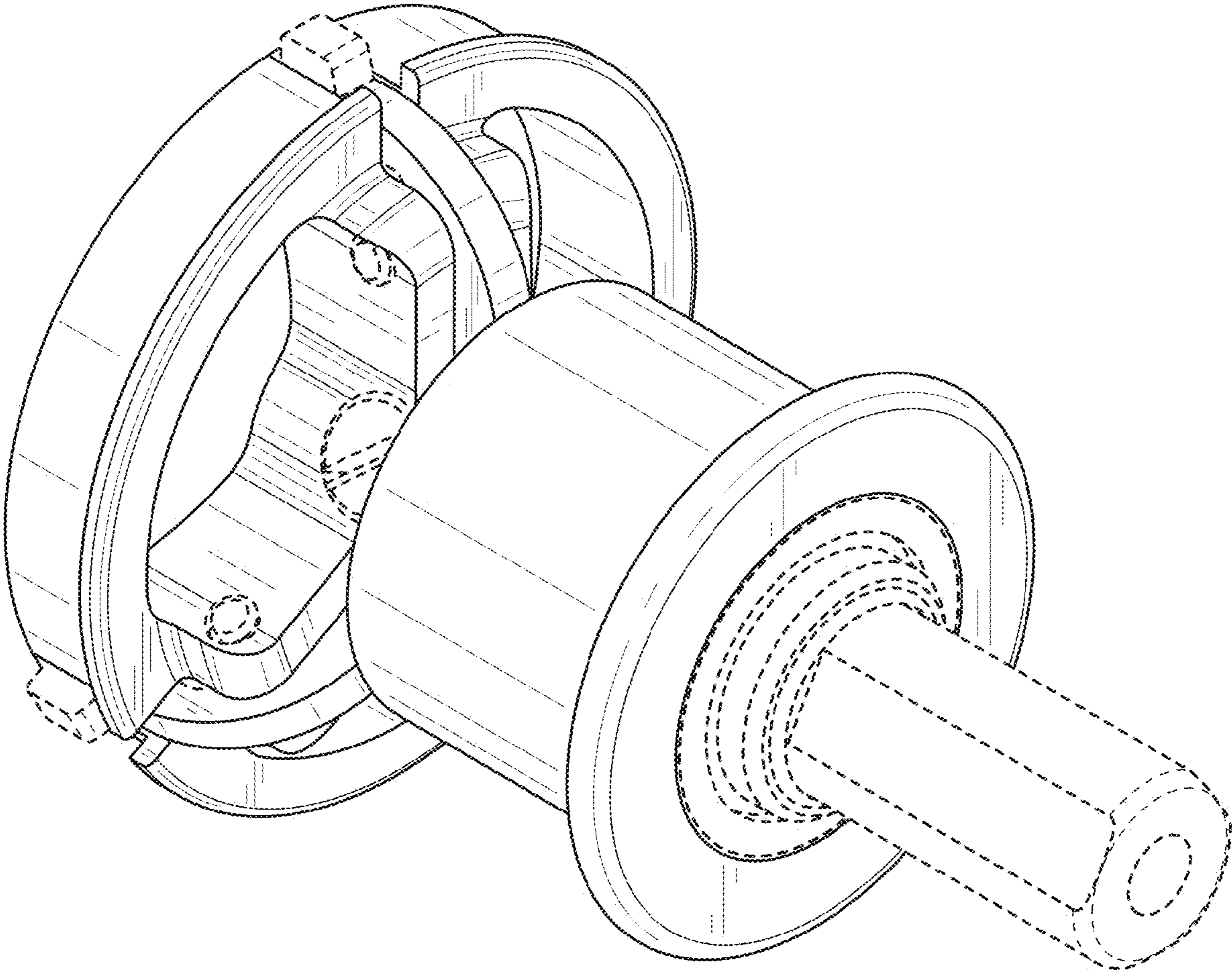


FIG. 8

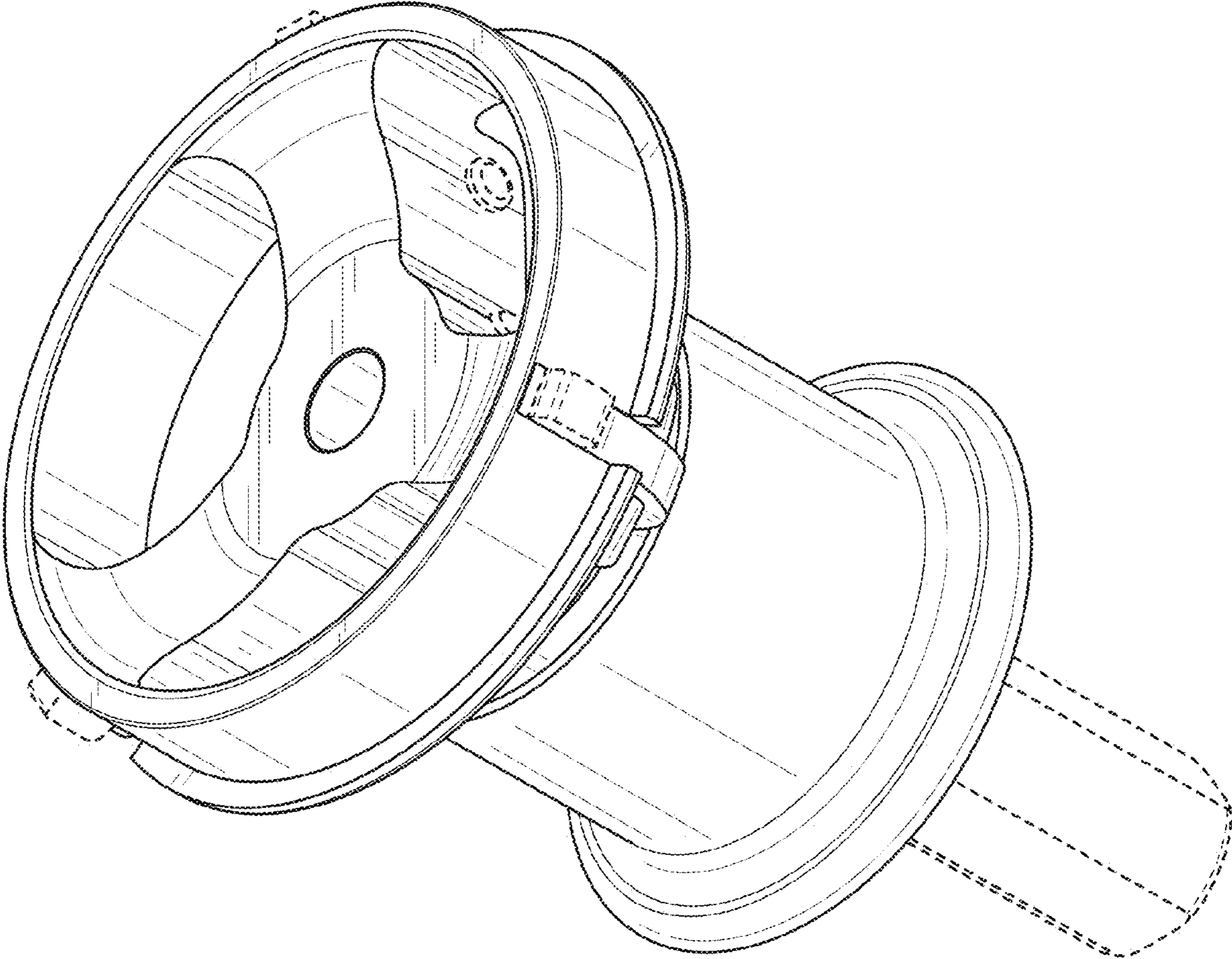


FIG. 9

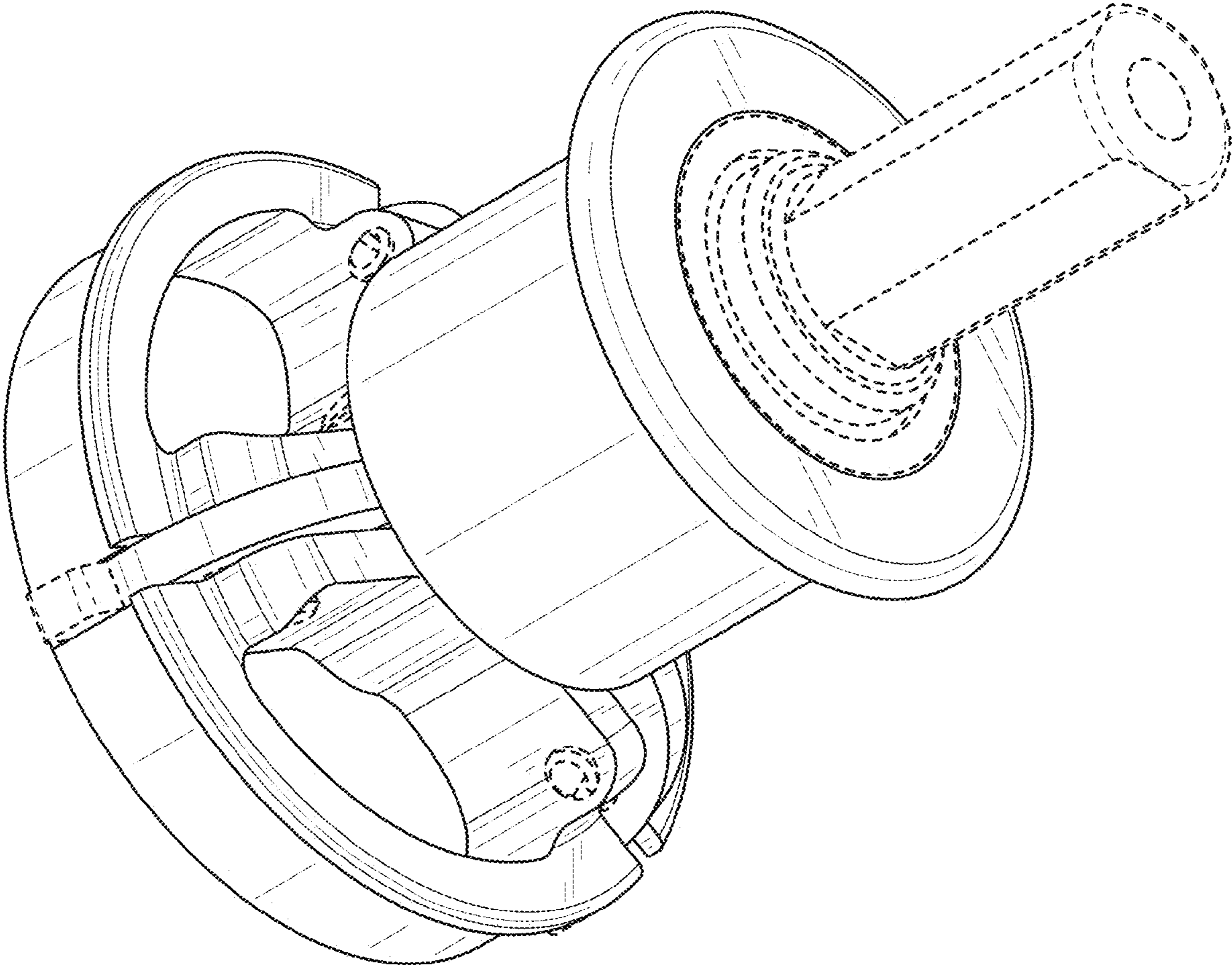


FIG. 10