



US00D926007S

(12) **United States Design Patent** (10) **Patent No.:** **US D926,007 S**
Kong (45) **Date of Patent:** **** Jul. 27, 2021**

(54) **CHAINSAW**
(71) Applicant: **Yongkang Huiyan Industry and Trade Co., Ltd., Zhejiang (CN)**
(72) Inventor: **Lingzhou Kong, Zhengzhou (CN)**
(**) Term: **15 Years**
(21) Appl. No.: **29/764,158**
(22) Filed: **Dec. 29, 2020**
(51) **LOC (13) Cl.** **08-03**
(52) **U.S. Cl.**
USPC **D8/65**
(58) **Field of Classification Search**
USPC D8/4, 5, 61, 64, 65, 60; D15/127, 129, D15/133
CPC A01G 3/033; A01G 3/037; A01G 3/085; A01G 3/086; B23D 29/02; B23D 29/023; B23D 29/026; B23D 49/10; B23D 49/12; B26B 15/00; B27B 17/0008; B27B 17/086; B27B 17/083; B27B 17/08
See application file for complete search history.

D642,038 S * 7/2011 Murray D8/68
D657,221 S * 4/2012 Isobe D8/61
D674,263 S * 1/2013 Aglassinger D8/64
D679,565 S * 4/2013 Aglassinger D8/64
D682,650 S * 5/2013 Kawase D8/68
8,919,787 B1 * 12/2014 Wilcher B26D 7/2614
279/143
D725,981 S * 4/2015 Elder D8/68
D735,006 S * 7/2015 Aoki D8/68
D767,959 S * 10/2016 Sokat D8/61
D835,963 S * 12/2018 Barezzani D8/68
D845,733 S * 4/2019 Yajima D8/68
D847,600 S * 5/2019 Waldron D8/68
D858,237 S * 9/2019 Haneishi D8/61
D860,744 S 9/2019 Lau
D869,926 S * 12/2019 Waldron D8/68
D891,214 S * 7/2020 Lu D8/61
D906,779 S * 1/2021 Tinius D8/64
D907,978 S * 1/2021 Schaefer D8/61
D914,475 S * 3/2021 Thompson D8/68

(Continued)

Primary Examiner — Holly E Thurman
Assistant Examiner — Ieisha N Price

(57) **CLAIM**

The ornamental design for a chainsaw, as shown and described.

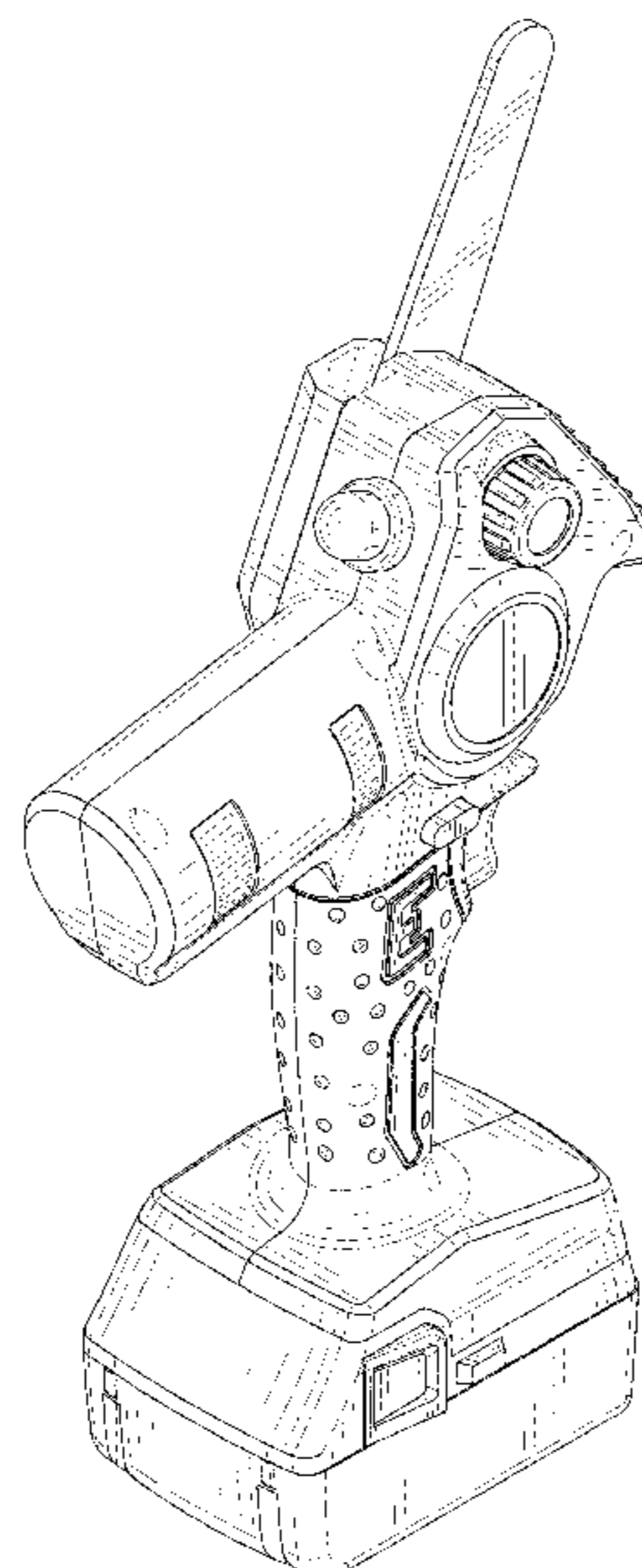
DESCRIPTION

FIG. 1 is a front and top perspective view of a chainsaw, showing my new design;
FIG. 2 is a rear and bottom perspective view thereof;
FIG. 3 is a front elevation view thereof;
FIG. 4 is a rear elevation view thereof;
FIG. 5 is a left side elevation view thereof;
FIG. 6 is a right side elevation view thereof;
FIG. 7 is a top plan View thereof; and,
FIG. 8 is a bottom plan view thereof.
The dashed broken lines in the figures illustrate portions of the chainsaw and form no part of the claimed design.

1 Claim, 8 Drawing Sheets

(56) **References Cited**
U.S. PATENT DOCUMENTS

3,039,502 A * 6/1962 Spivey B27F 5/08
144/73
5,685,080 A * 11/1997 Amano B27B 17/08
30/383
D388,300 S * 12/1997 Jeltsch D8/61
D426,760 S * 6/2000 Schultz D8/61
D536,590 S * 2/2007 Busschaert D8/65
D550,048 S * 9/2007 Robson D8/5
D567,049 S * 4/2008 Van Wambeke D8/64
D603,672 S * 11/2009 Baxter D8/5
D610,423 S * 2/2010 Houghton D8/68
D614,468 S * 4/2010 Aglassinger B25F 5/02
D8/68
D618,975 S * 7/2010 Yamamoto D8/68



(56)

References Cited

U.S. PATENT DOCUMENTS

2011/0005088 A1* 1/2011 Pellenc B27B 17/12
30/383
2012/0165152 A1* 6/2012 Tokunaga B25B 21/00
475/159
2013/0219725 A1* 8/2013 Winkel B26B 15/00
30/228
2017/0239835 A1* 8/2017 Ebner B27B 17/02
2018/0133818 A1* 5/2018 Mang B27B 17/08
2018/0272445 A1* 9/2018 Perkins B23D 29/00
2020/0139459 A1* 5/2020 Nagasaka B23D 27/04
2020/0282481 A1* 9/2020 Lehr B23D 17/06
2020/0316697 A1* 10/2020 Ohta H02G 1/005
2020/0347991 A1* 11/2020 Pellenc B26D 7/24
2021/0076572 A1* 3/2021 Lam A01G 3/0335
2021/0078123 A1* 3/2021 Oberhofer B23Q 5/58
2021/0101303 A1* 4/2021 Hess B27B 17/0008

* cited by examiner

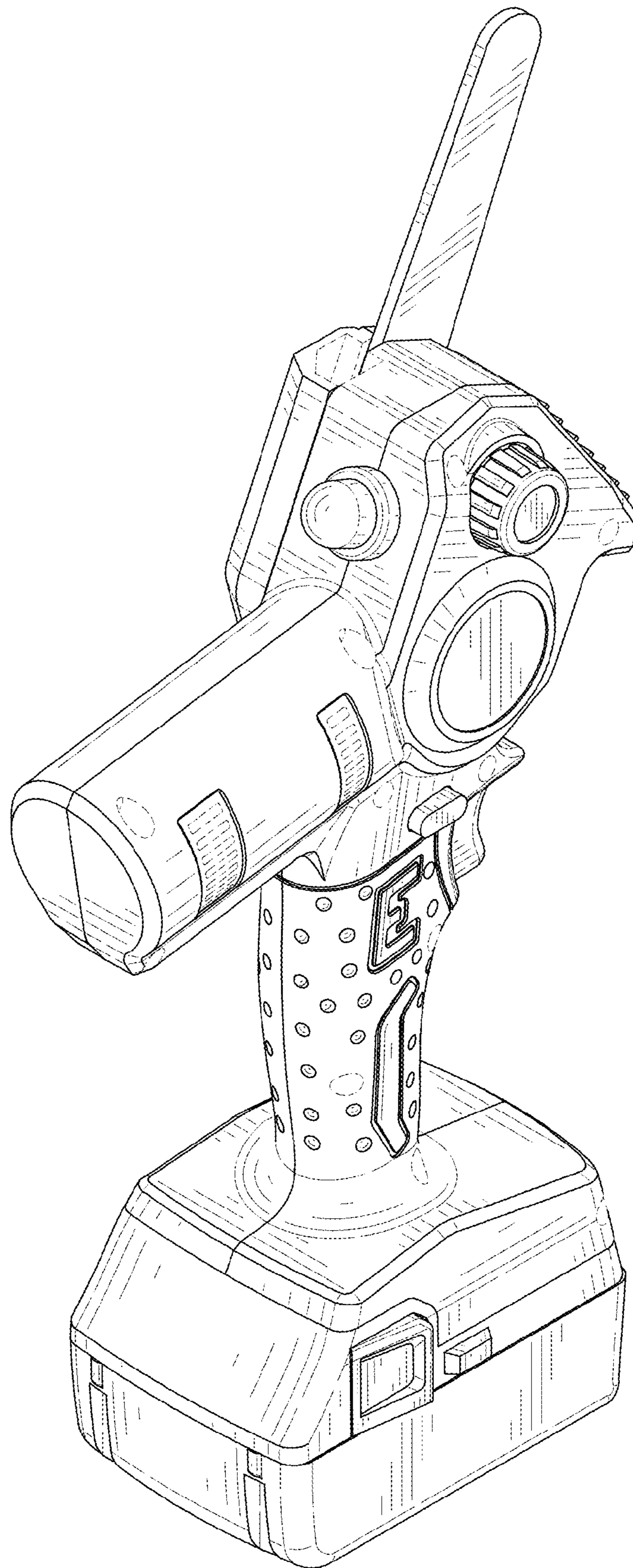


FIG. 1

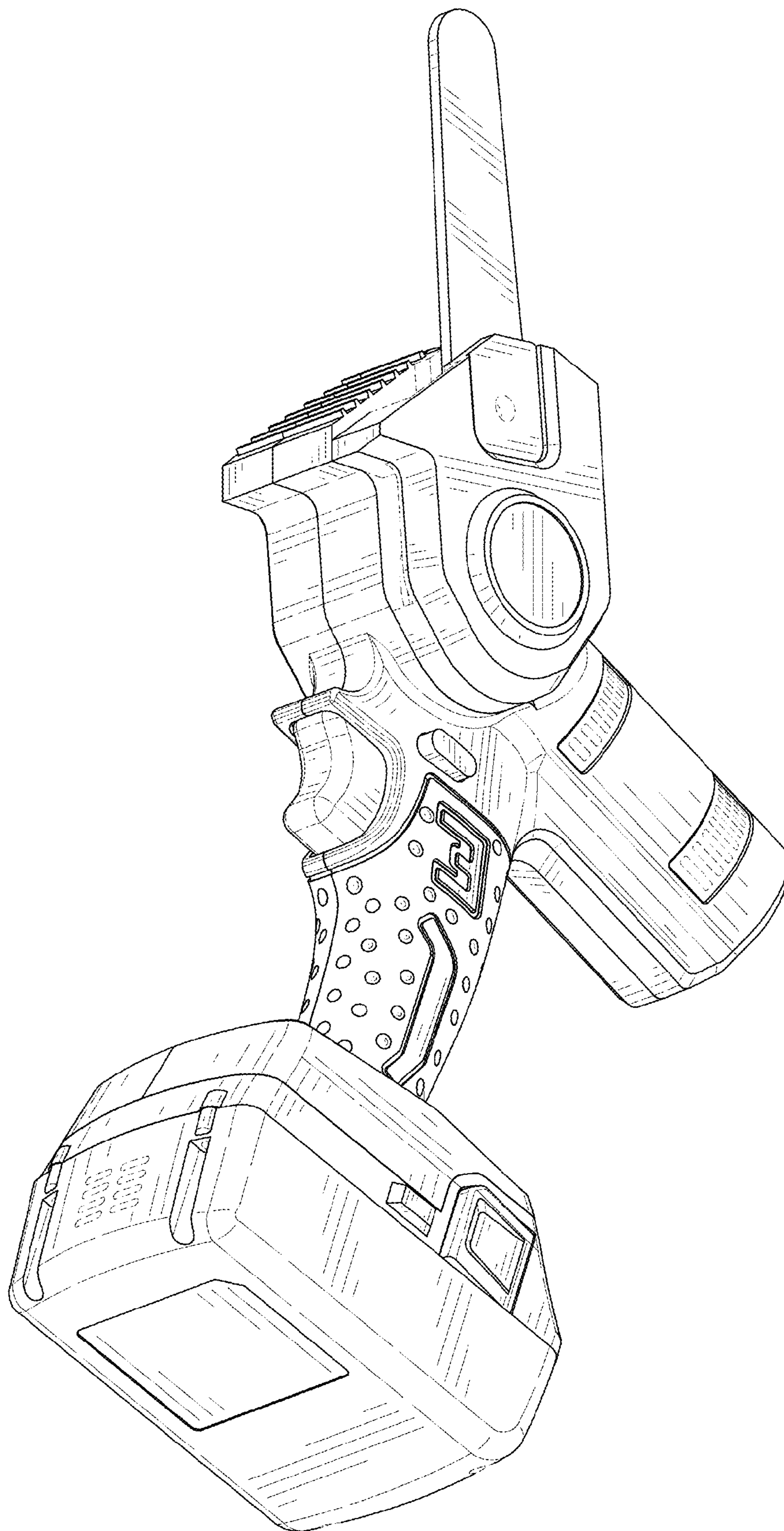


FIG. 2

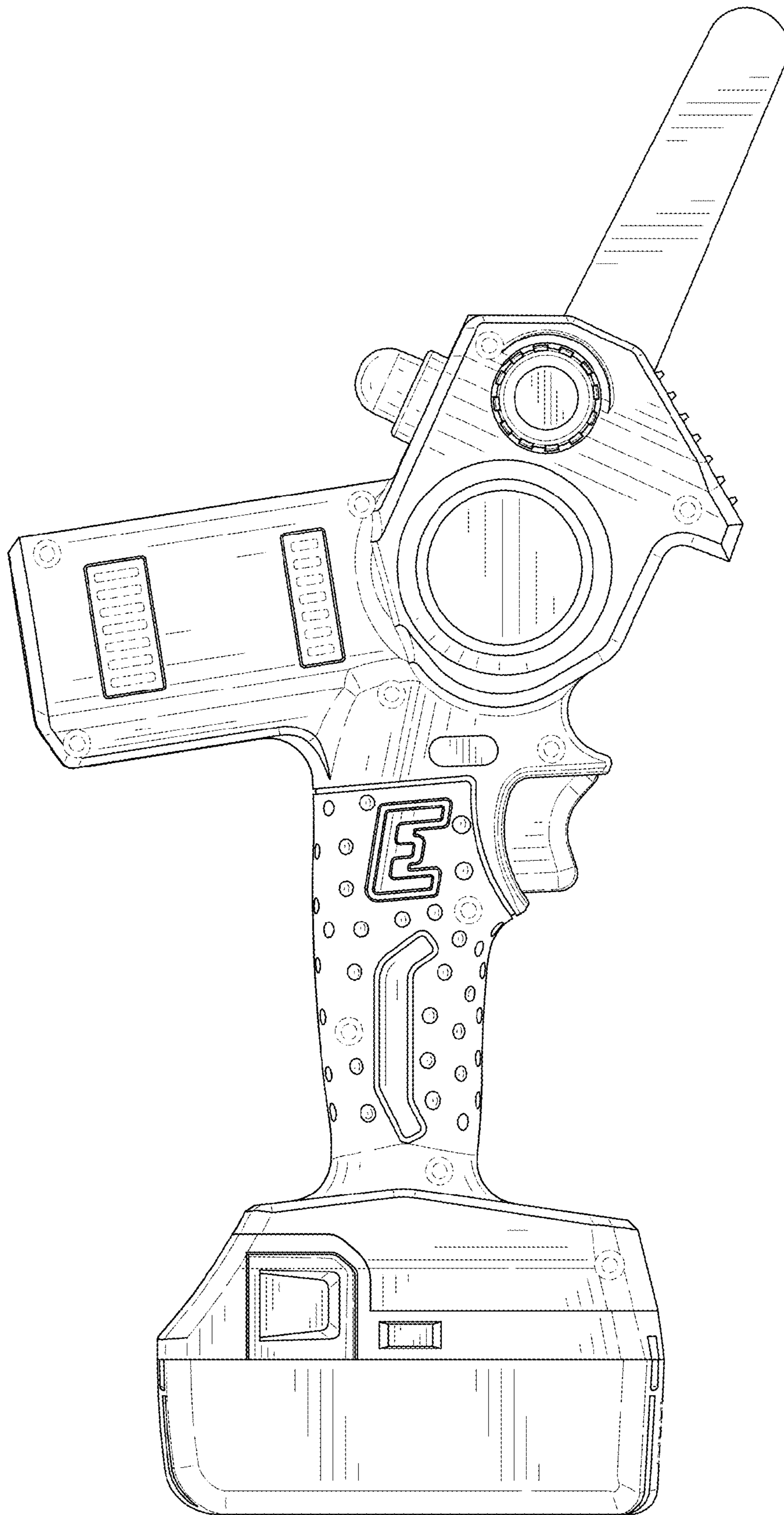


FIG. 3

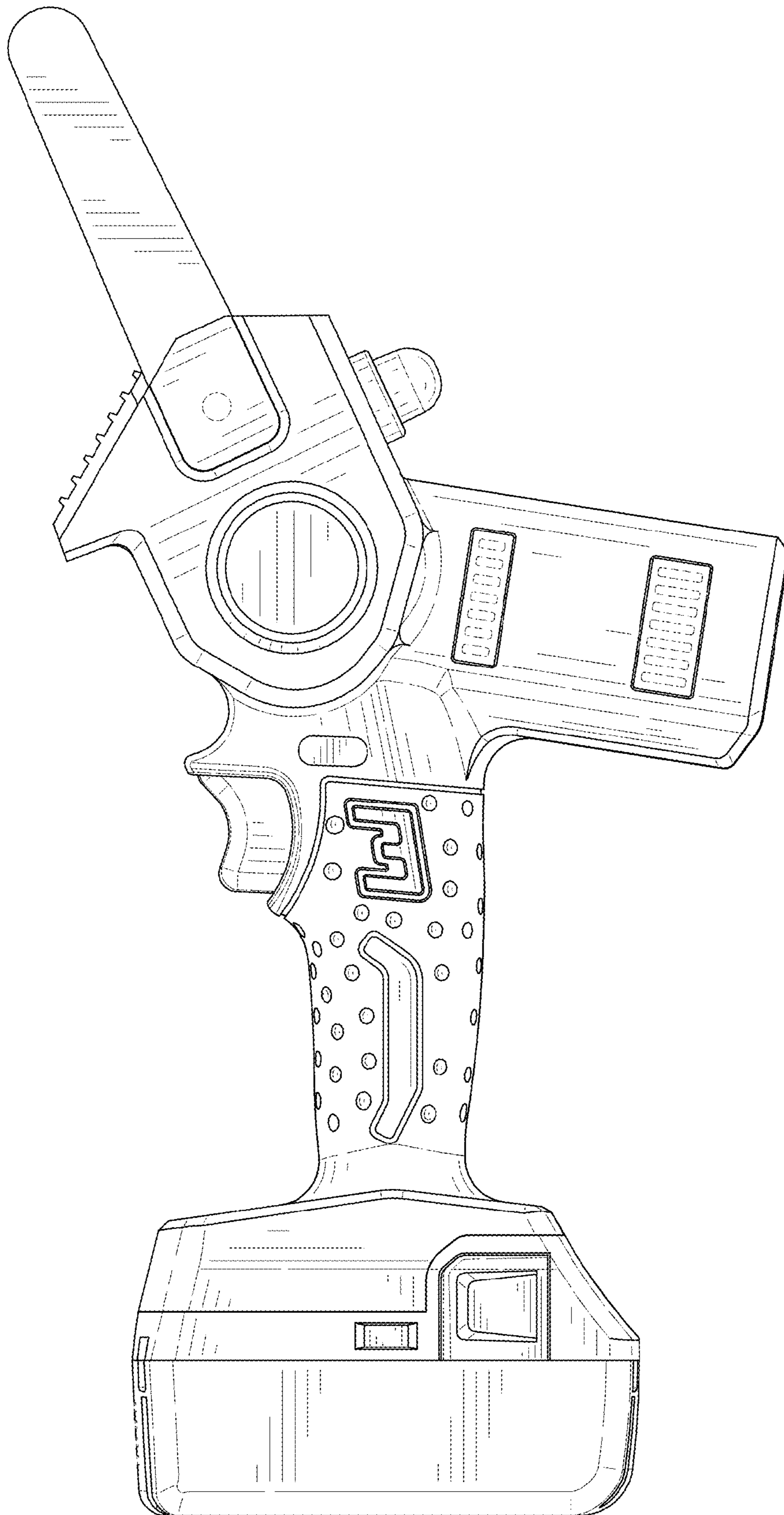


FIG. 4

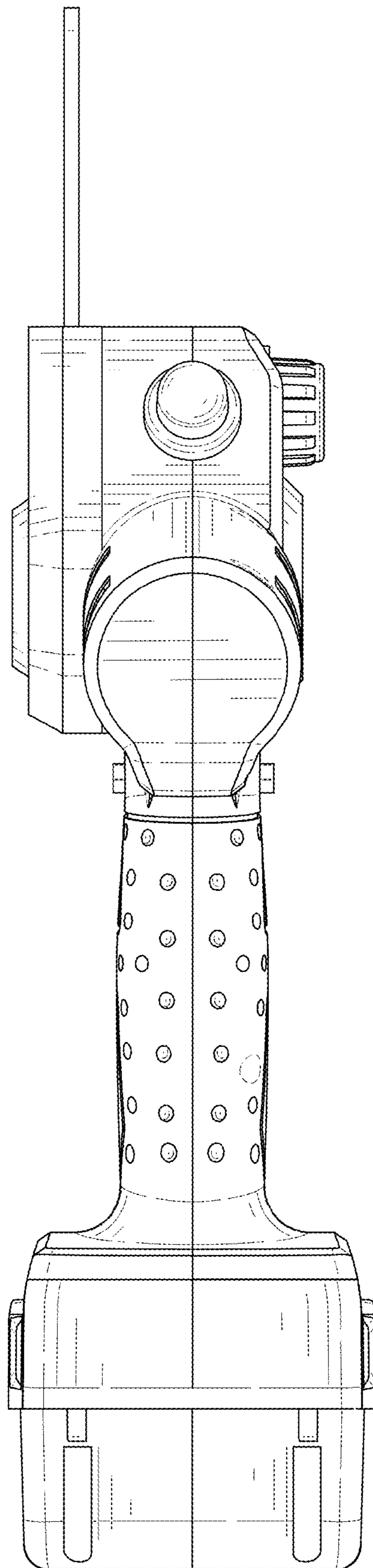


FIG. 5

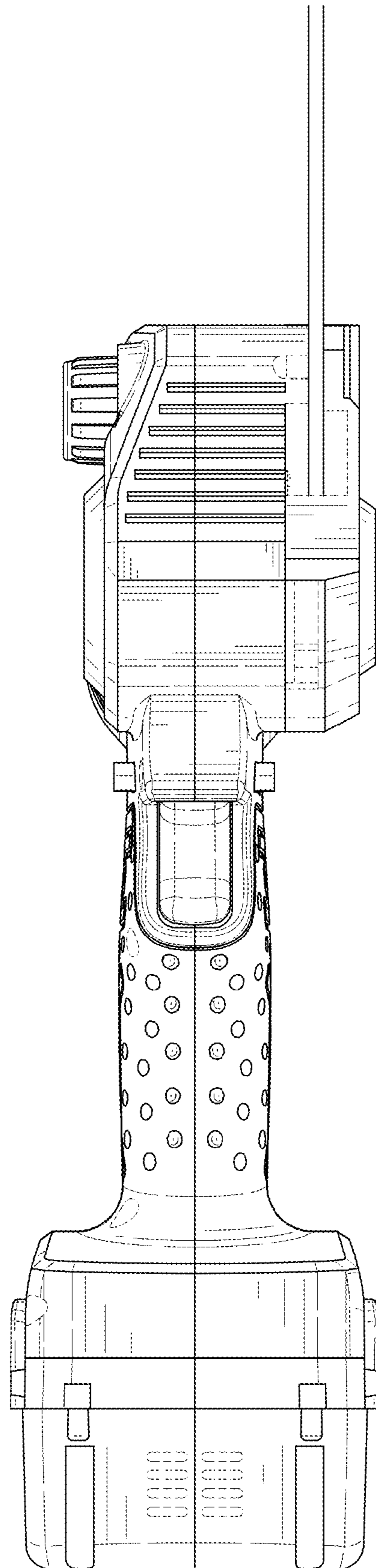


FIG. 6

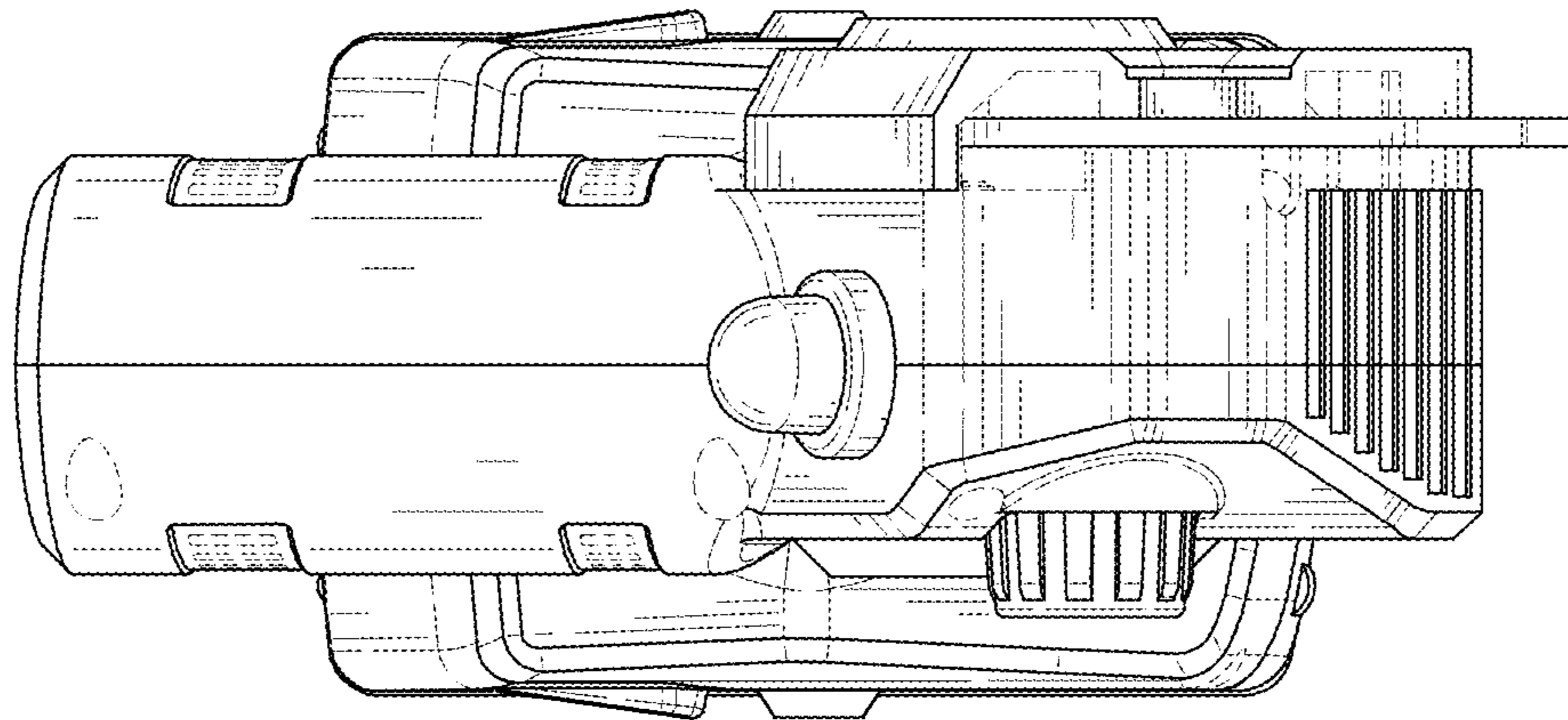


FIG. 7

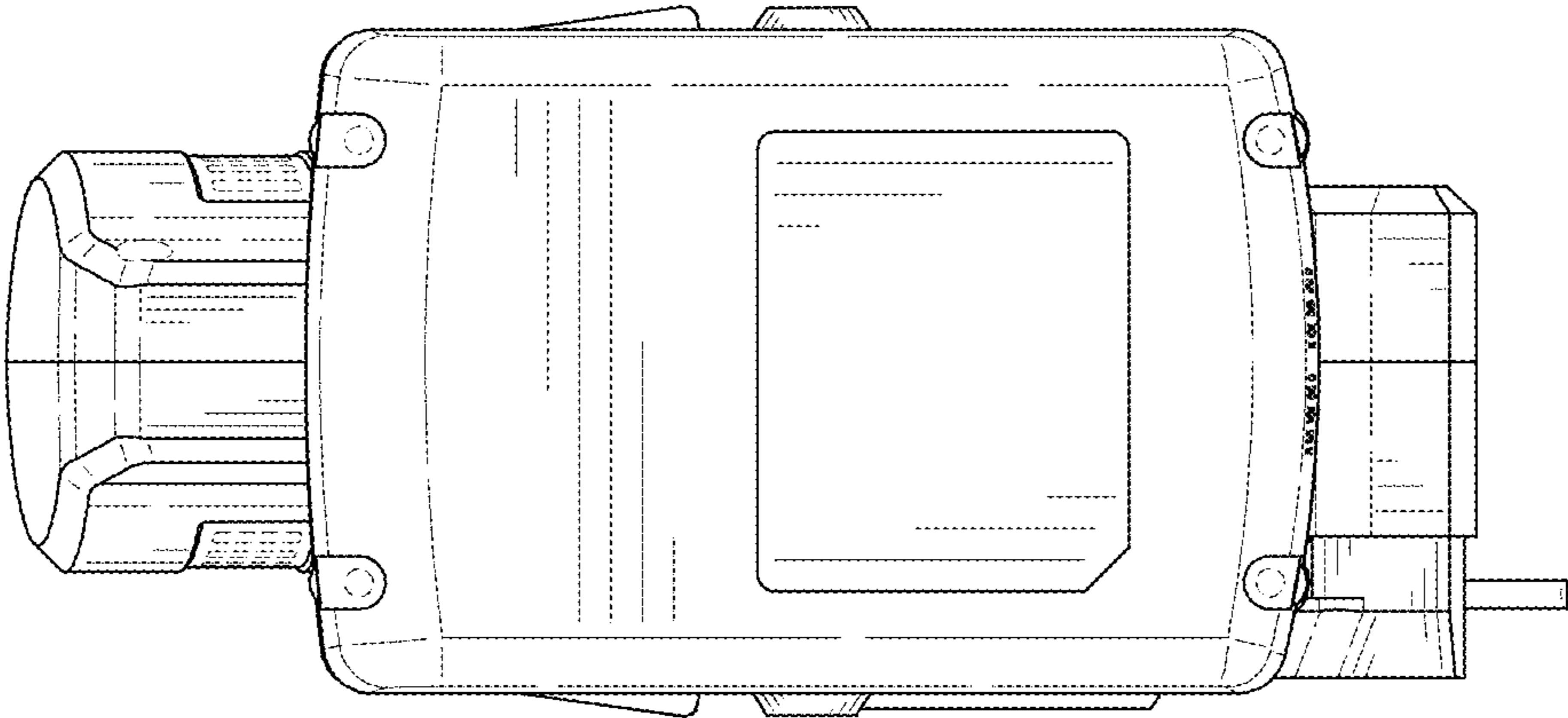


FIG. 8