



US00D926006S

(12) **United States Design Patent**
Zhong et al.

(10) **Patent No.:** **US D926,006 S**

(45) **Date of Patent:** **** Jul. 27, 2021**

(54) **GRINDER**

(71) Applicant: **Shenzhen Aukeyhi Technology Co., Ltd.**, Shenzhen (CN)

(72) Inventors: **Xiaomin Zhong**, Shenzhen (CN);
Huiyue Ze, Shenzhen (CN)

(73) Assignee: **Shenzhen Aukeyhi Technology Co., Ltd.**, Shenzhen (CN)

(**) Term: **15 Years**

(21) Appl. No.: **29/720,507**

(22) Filed: **Jan. 14, 2020**

(30) **Foreign Application Priority Data**

Aug. 26, 2019 (EM) 006768685

(51) **LOC (13) Cl.** **08-05**

(52) **U.S. Cl.**
USPC **D8/62**

(58) **Field of Classification Search**
USPC D8/64, 62, 61, 65, 66, 67, 69; 81/57.26,
81/464, 469
See application file for complete search history.

(56) **References Cited**

U.S. PATENT DOCUMENTS

D404,626 S *	1/1999	Hall	D8/68
D427,040 S *	6/2000	Heun	D8/61
D507,730 S *	7/2005	Oles	D8/61
D556,000 S *	11/2007	Singh	D8/61
D601,873 S *	10/2009	Lau	D8/62
D618,079 S *	6/2010	Blythe	D8/61
D663,180 S *	7/2012	Jerome	D8/61
D677,540 S *	3/2013	Meyers	D8/61
D703,017 S *	4/2014	Concari	B25B 21/00
				D8/61
D715,615 S *	10/2014	Nagy	D8/61

D720,196 S *	12/2014	Hsiao	D8/61
D755,032 S *	5/2016	Martinez	D8/61
D757,364 S *	5/2016	Aulwes	D28/53
D794,407 S *	8/2017	Markwald	D8/61
D866,336 S *	11/2019	Ramsuer	D9/516
D873,103 S *	1/2020	Chen	D8/61
D880,265 S *	4/2020	Ruivivar	D8/61
D904,698 S *	12/2020	Moeller	D30/158
D909,689 S *	2/2021	Xu	D30/158
D910,937 S *	2/2021	Wei	D30/158

OTHER PUBLICATIONS

TECCPO Rotary Tool Kit 110 Accessories, Mar. 10, 2021, Amazon. uk.co, Nov. 30, 2019, <https://www.amazon.com/TECCPO-10000-35000RPM-Sharpener-Auxiliary-Accessories/dp/B07V3198SJ> (Year: 2019).*

* cited by examiner

Primary Examiner — Susan Bennett Hattan

Assistant Examiner — Elizabeth S Ko

(74) *Attorney, Agent, or Firm* — Westbridge IP LLC

(57) **CLAIM**

The ornamental design for a grinder, as shown and described.

DESCRIPTION

FIG. 1 is a front, left and top perspective view of a grinder showing our new design;

FIG. 2 is a front elevational view thereof;

FIG. 3 is a rear elevational view thereof;

FIG. 4 is a left side view thereof;

FIG. 5 is a right side view thereof;

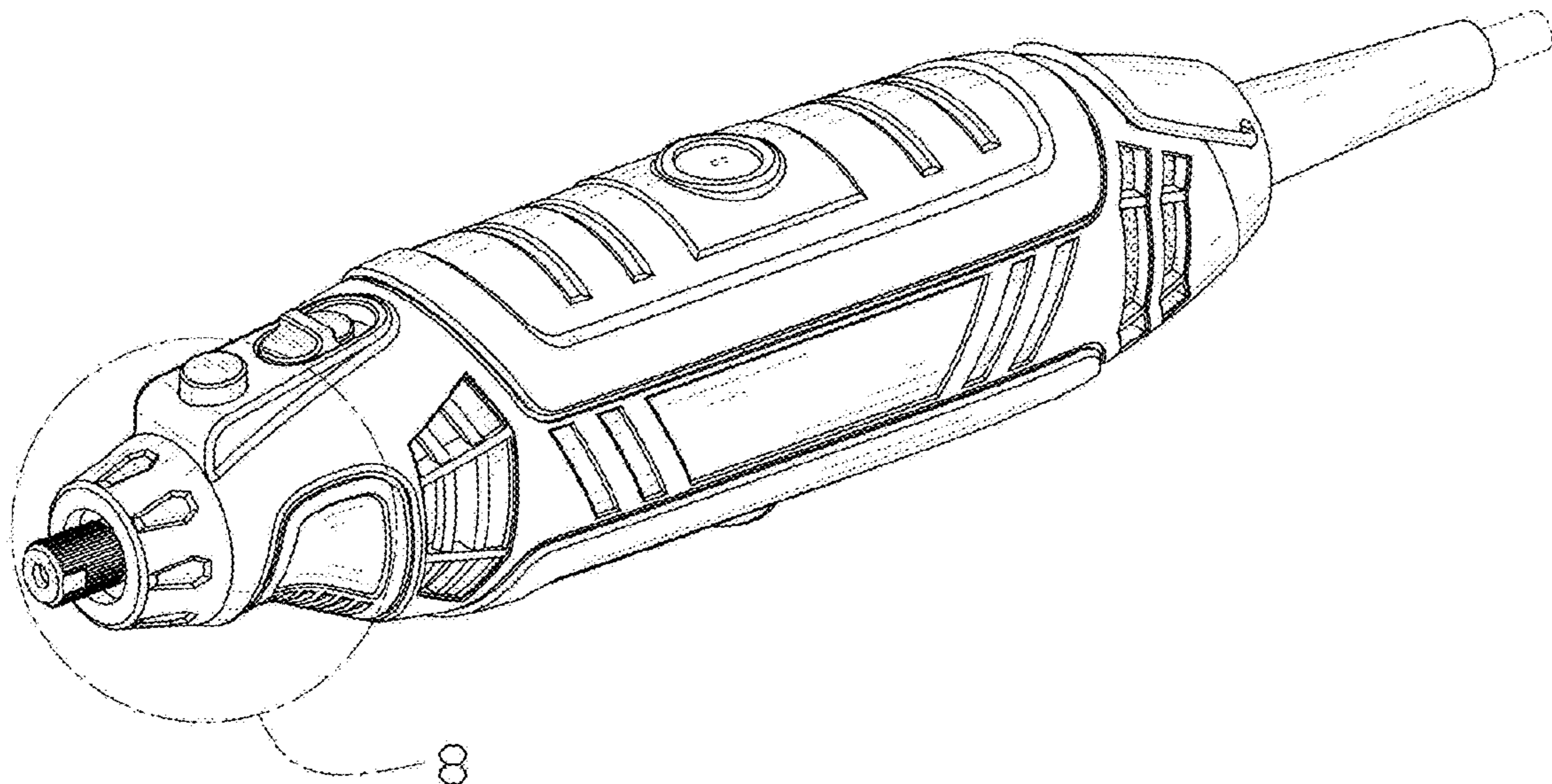
FIG. 6 is a top plan view thereof;

FIG. 7 is a bottom plan view thereof; and,

FIG. 8 is an enlarged view of portion 8 in FIG. 1.

The evenly broken lines in the drawings illustrate portions of the article that form no part of the claim.

1 Claim, 8 Drawing Sheets



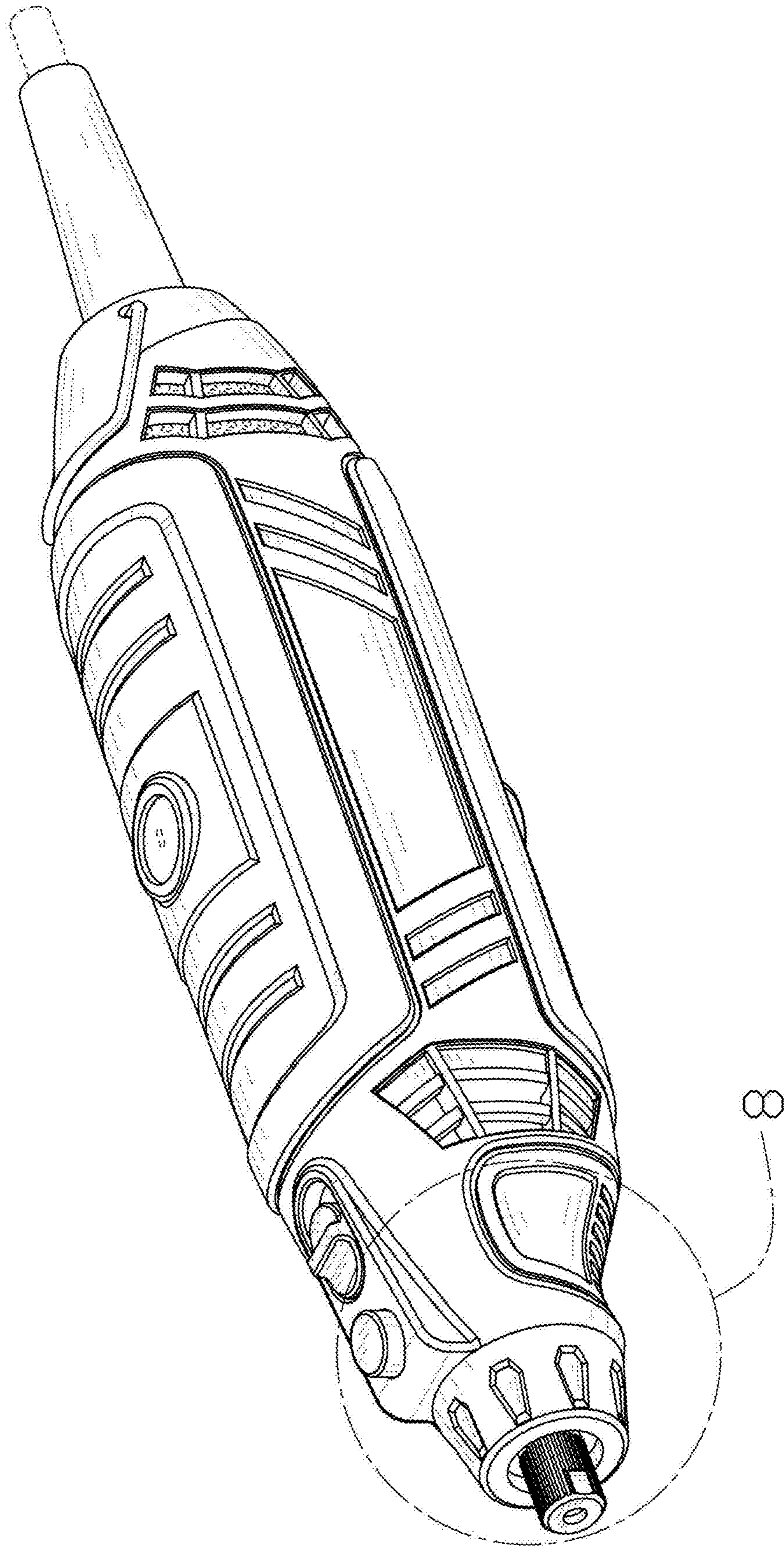


FIG. 1

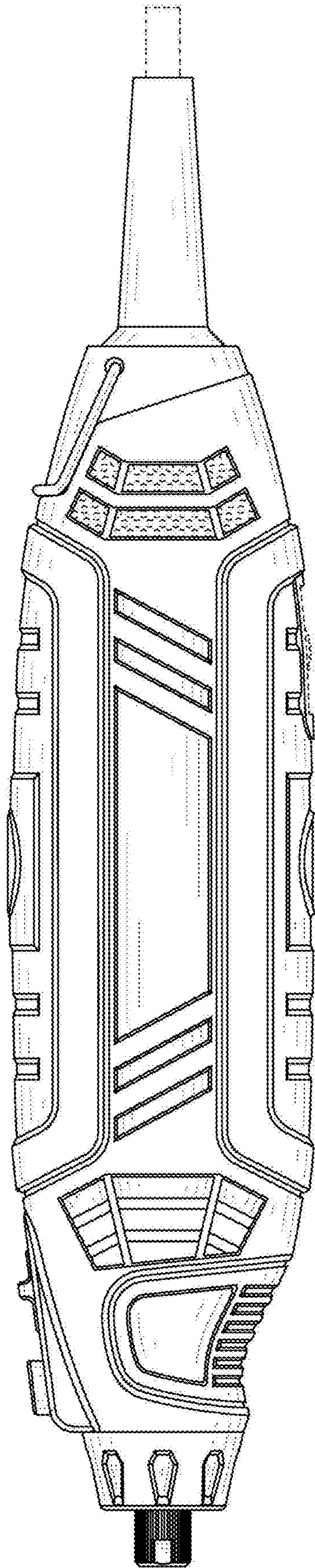


FIG. 2

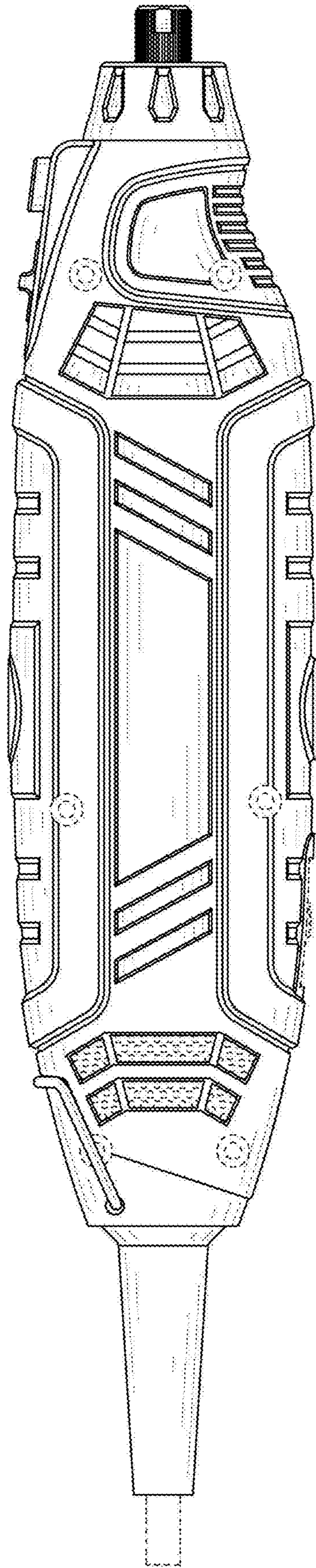


FIG. 3

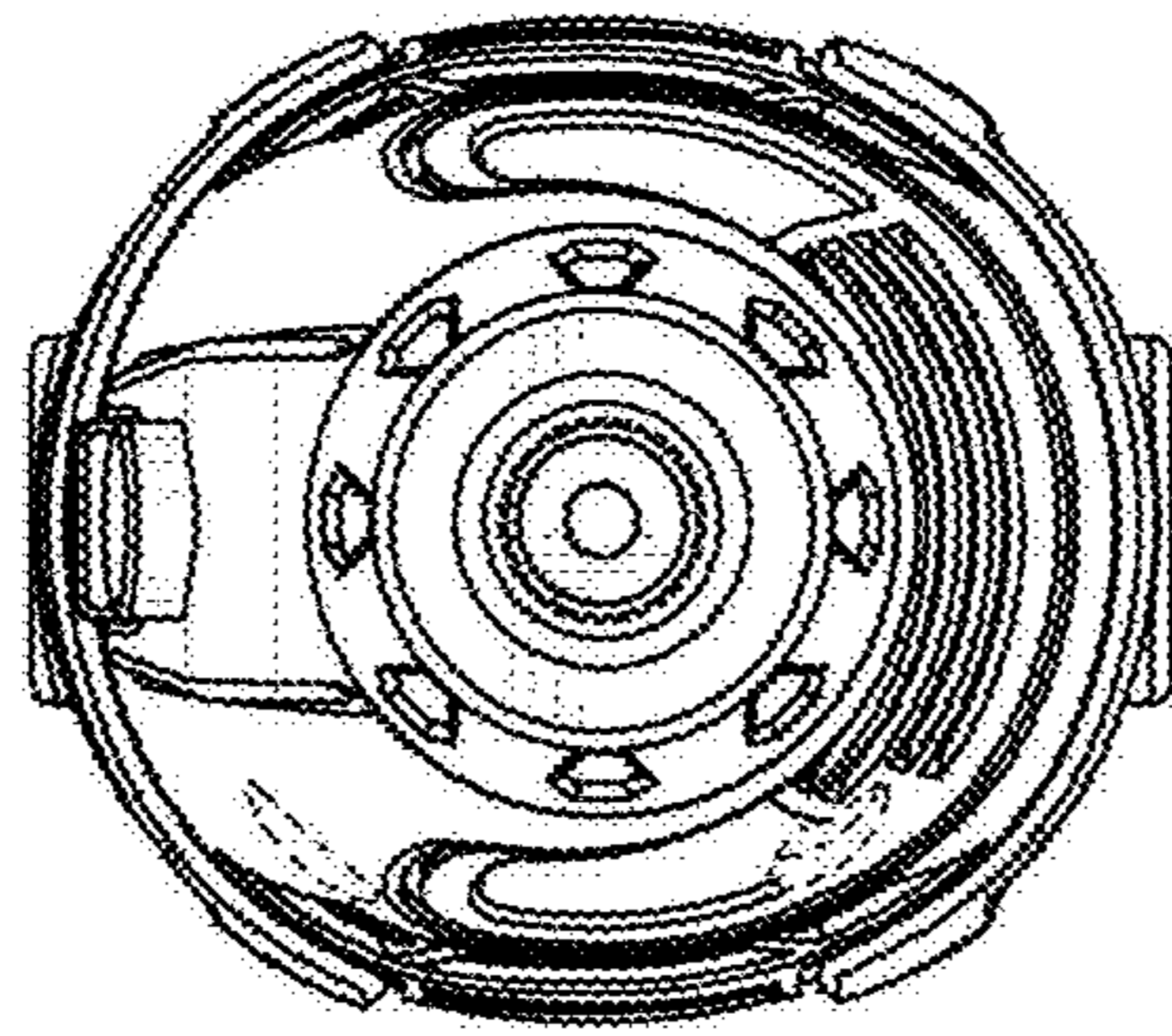


FIG. 4

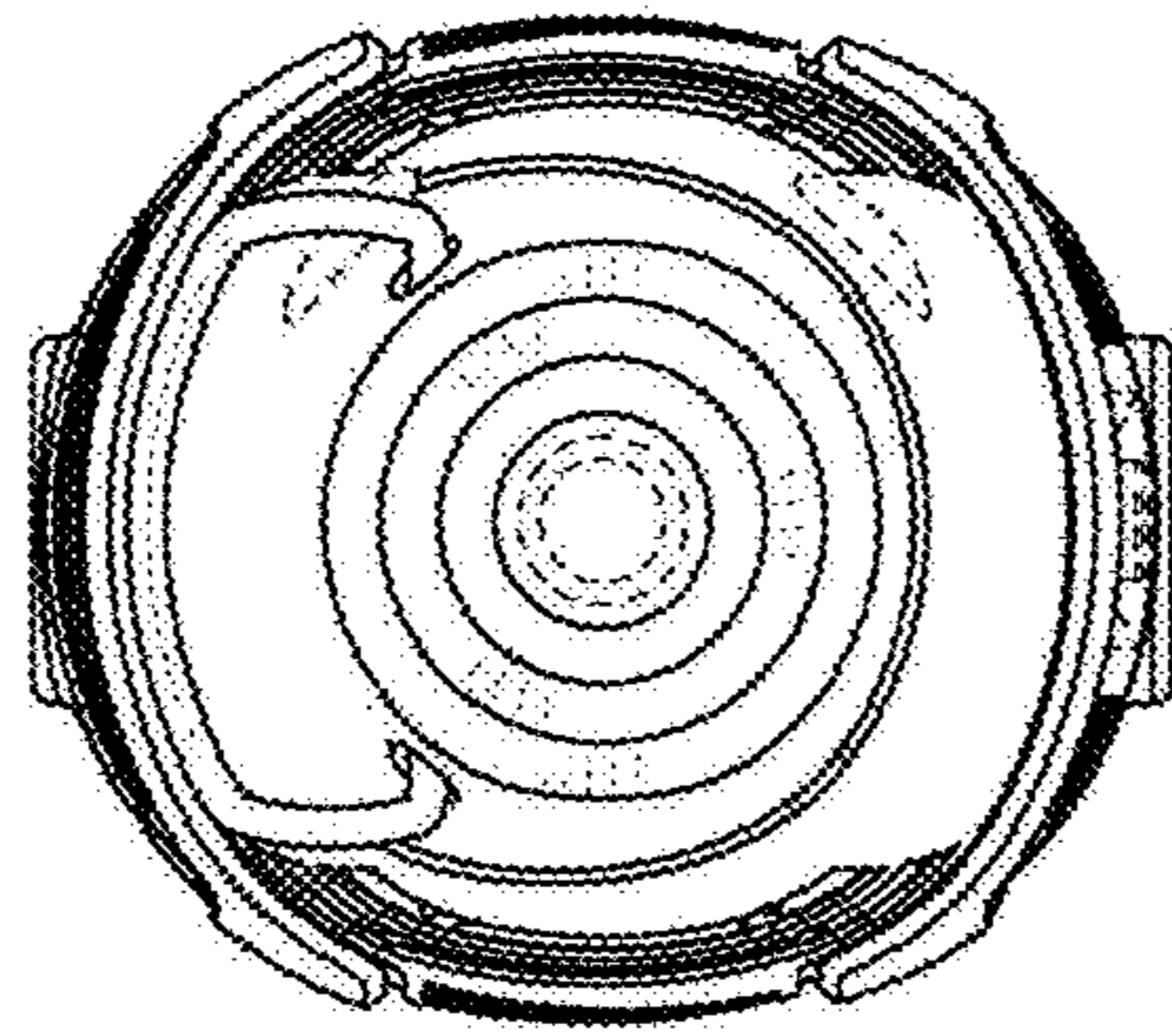


FIG. 5

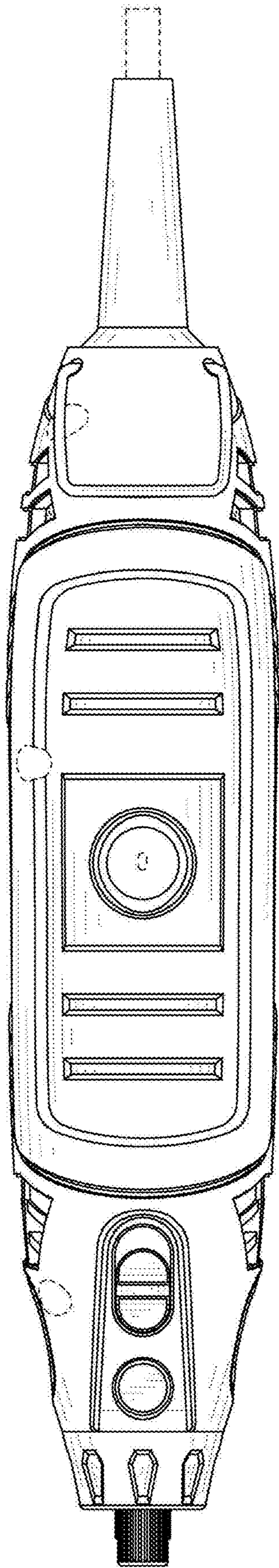


FIG. 6

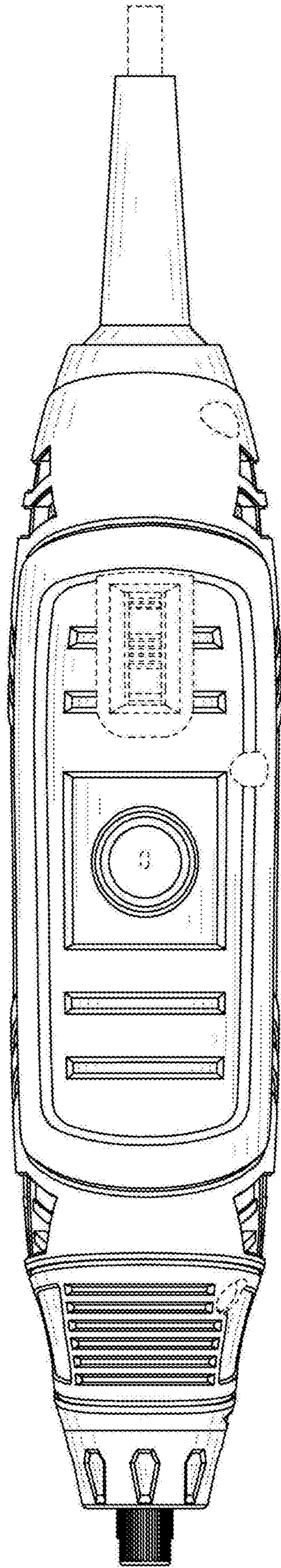


FIG. 7



FIG. 8