



US00D926005S

(12) **United States Design Patent**
Lindsay

(10) **Patent No.:** **US D926,005 S**

(45) **Date of Patent:** **** Jul. 27, 2021**

(54) **TOOL COLLET**

(71) Applicant: **Steve J. Lindsay**, Kearney, NE (US)

(72) Inventor: **Steve J. Lindsay**, Kearney, NE (US)

(**) Term: **15 Years**

(21) Appl. No.: **29/730,413**

(22) Filed: **Apr. 3, 2020**

(51) **LOC (13) Cl.** **08-05**

(52) **U.S. Cl.**
USPC **D8/47; D15/140**

(58) **Field of Classification Search**
USPC D8/14, 29, 47, 70, 349, 354, 382;
D22/108; D23/262; D21/487
CPC B25D 3/00; B25D 2250/11; Y10T 279/00;
Y10T 279/90; Y10T 279/904; Y10T
279/906; B25G 3/22
See application file for complete search history.

(56) **References Cited**

U.S. PATENT DOCUMENTS

3,168,325	A *	2/1965	Chittenden	B23B 31/202
					279/51
4,249,748	A *	2/1981	Andrews	B23B 31/202
					279/46.3
D266,403	S *	10/1982	Norman	D9/438
5,398,947	A *	3/1995	Cook	B23B 31/202
					279/133
D424,075	S *	5/2000	Streich	D15/140
D437,865	S *	2/2001	Kladich	D15/140
D451,112	S *	11/2001	Trybula	D15/140
D455,162	S *	4/2002	Lisowski	D15/140
D455,766	S *	4/2002	Lisowski	D15/140
7,195,247	B2 *	3/2007	Shu	B25B 23/0035
					279/22
D583,880	S *	12/2008	Slater	D21/487
D598,724	S *	8/2009	Hsieh	D8/47

D612,020	S *	3/2010	Ward	D23/262
8,020,876	B2 *	9/2011	Lin	B25D 3/00
					279/71
D700,641	S *	3/2014	Kenji	D15/140
D710,175	S *	8/2014	Moss	D8/70
D722,091	S *	2/2015	Tokura	D15/140
9,271,705	B2 *	3/2016	Vaughn	B23B 31/22
D759,137	S *	6/2016	Hassan	D15/144
D842,565	S *	3/2019	Davis	D32/35
D916,152	S *	4/2021	McLain	D15/138
2008/0244913	A1 *	10/2008	Lin	B25D 3/00
					30/167

(Continued)

Primary Examiner — Philip S Hyder

(74) *Attorney, Agent, or Firm* — Ryan T. Grace; Advent, LLP

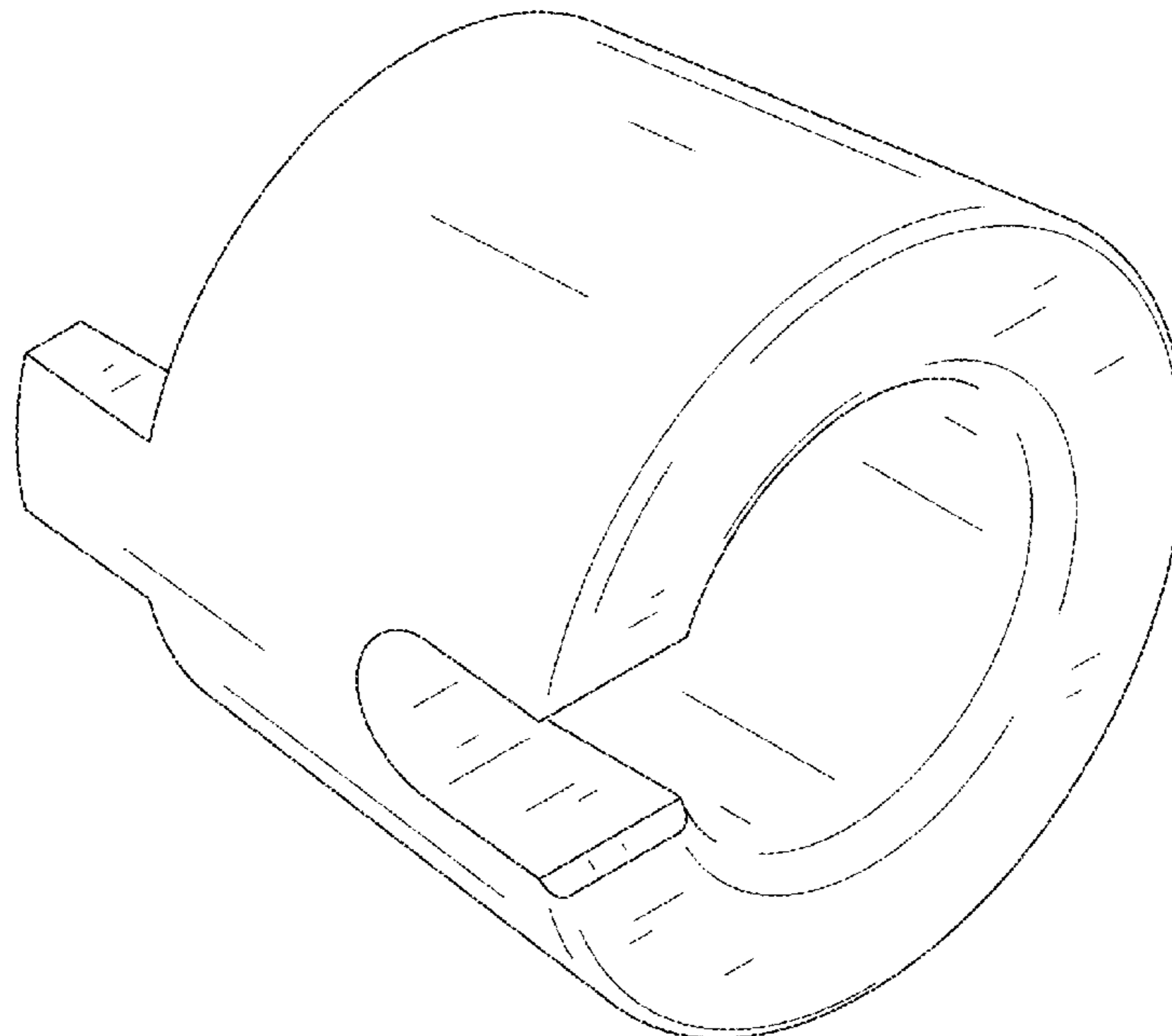
(57) **CLAIM**

The ornamental design for a tool collet, as shown and described.

DESCRIPTION

FIG. 1 is an isometric view of a tool collet.
 FIG. 2 is another isometric view of the tool collet of FIG. 1.
 FIG. 3 is a further isometric view of the tool collet of FIG. 1.
 FIG. 4 is another isometric view of the tool collet of FIG. 1.
 FIG. 5 is a top plan view of the tool collet of FIG. 1.
 FIG. 6 is a bottom view of the tool collet of FIG. 1.
 FIG. 7 is front view of the tool collet of FIG. 1.
 FIG. 8 a rear view of the tool collet of FIG. 1.
 FIG. 9 is a left side view of the tool collet of FIG. 1.
 FIG. 10 is a right side view of the tool collet of FIG. 1; and,
 FIG. 11 is an environmental isometric view of the tool collet of FIG. 1.
 The broken lines shown in FIG. 11 illustrate environment that forms no part of the claimed design.

1 Claim, 11 Drawing Sheets



(56)

References Cited

U.S. PATENT DOCUMENTS

2009/0033042 A1* 2/2009 Rinner B23B 31/005
279/72
2011/0041346 A1* 2/2011 Chen B25F 1/02
30/167
2018/0009041 A1* 1/2018 Chen B23B 31/202

* cited by examiner

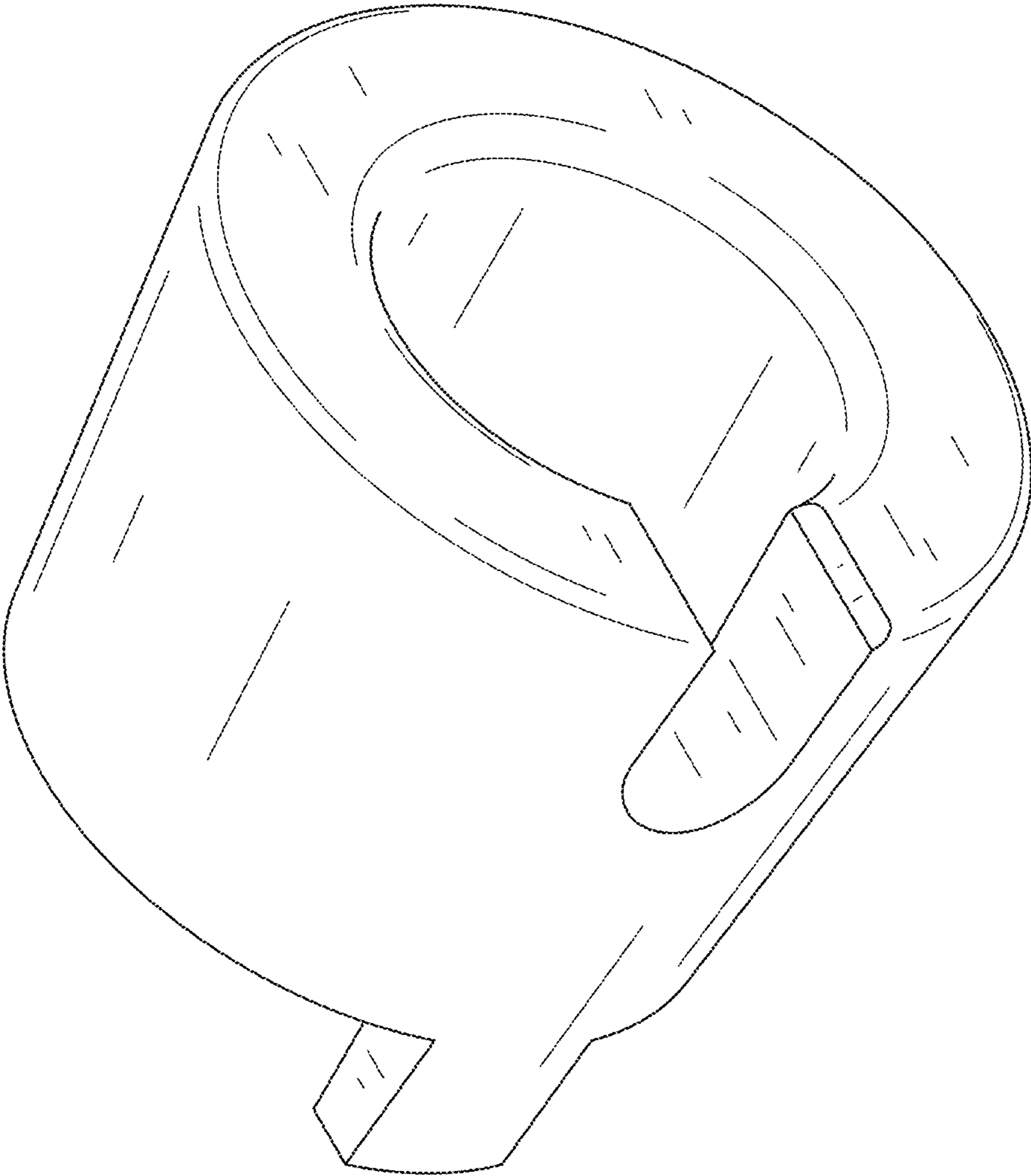


FIG. 1

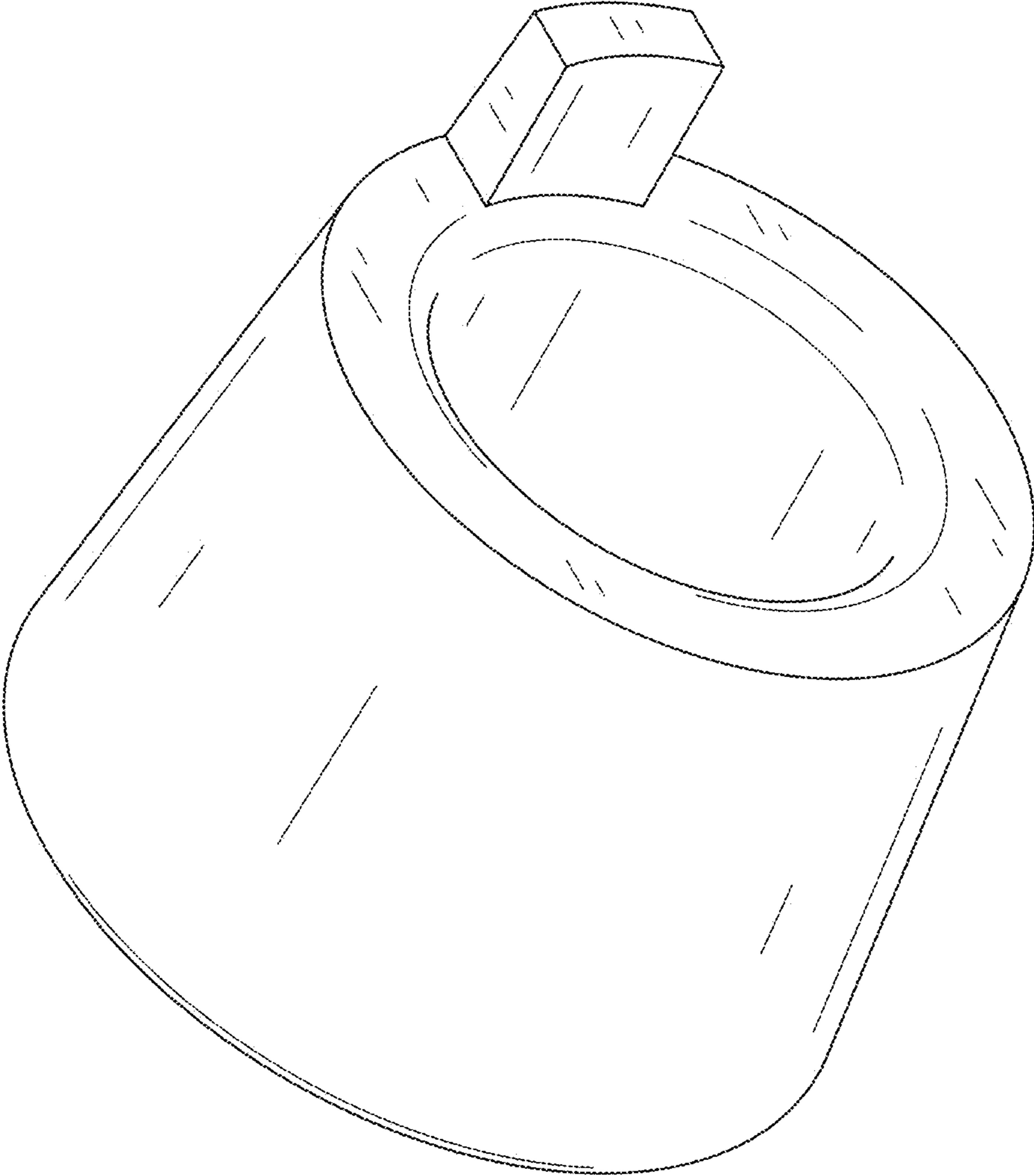


FIG. 2

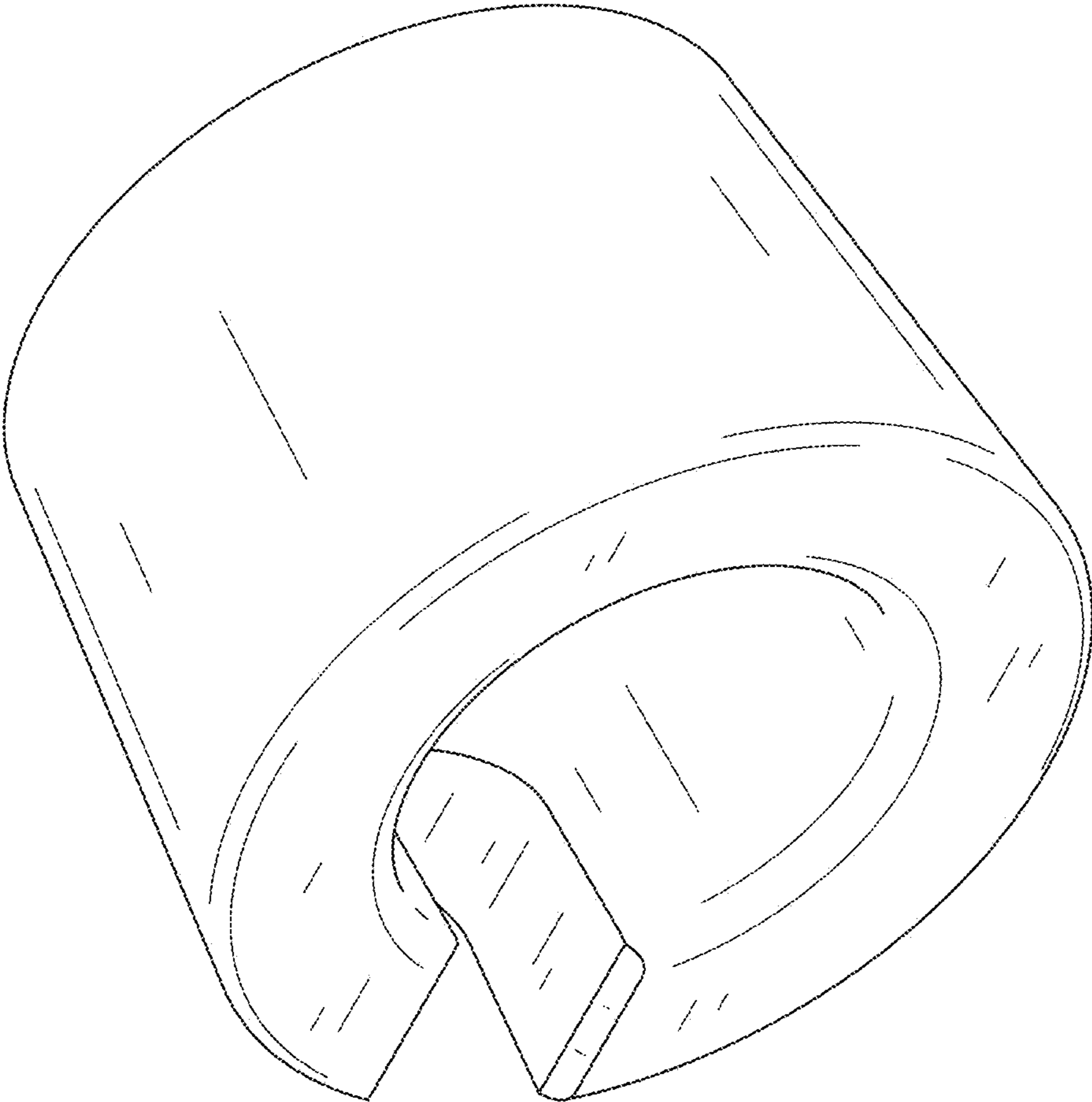


FIG. 3

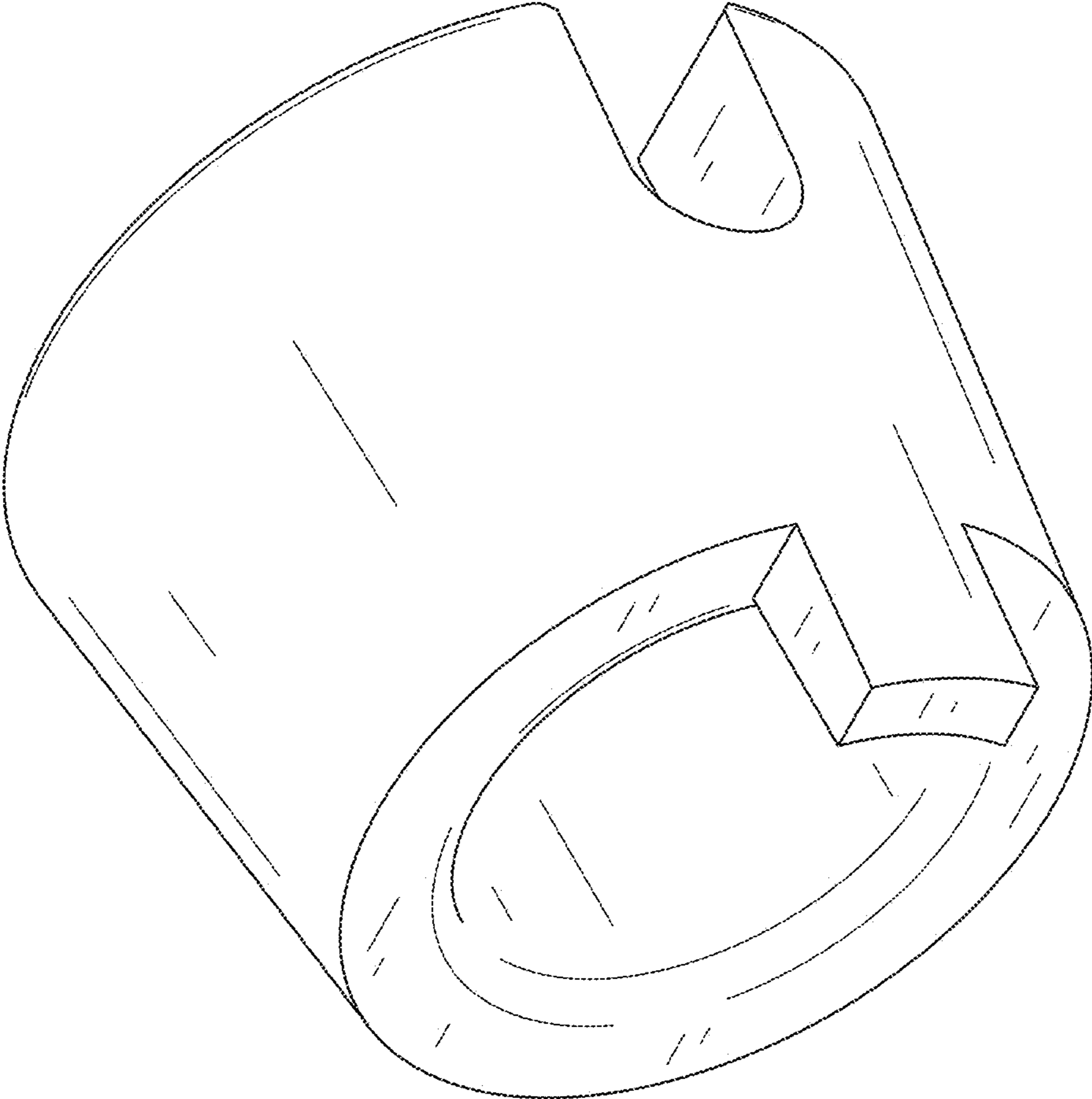


FIG. 4

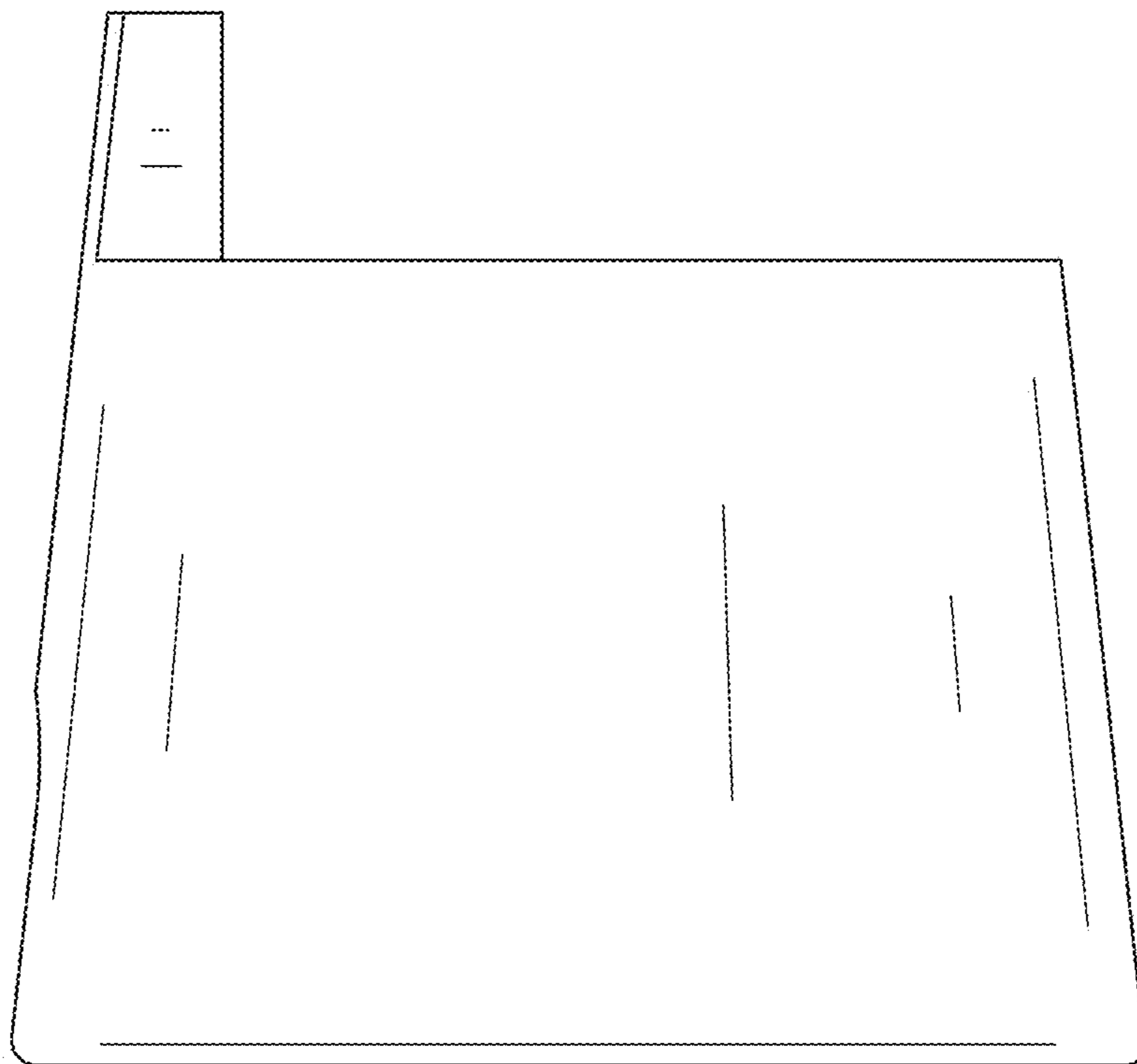


FIG. 5

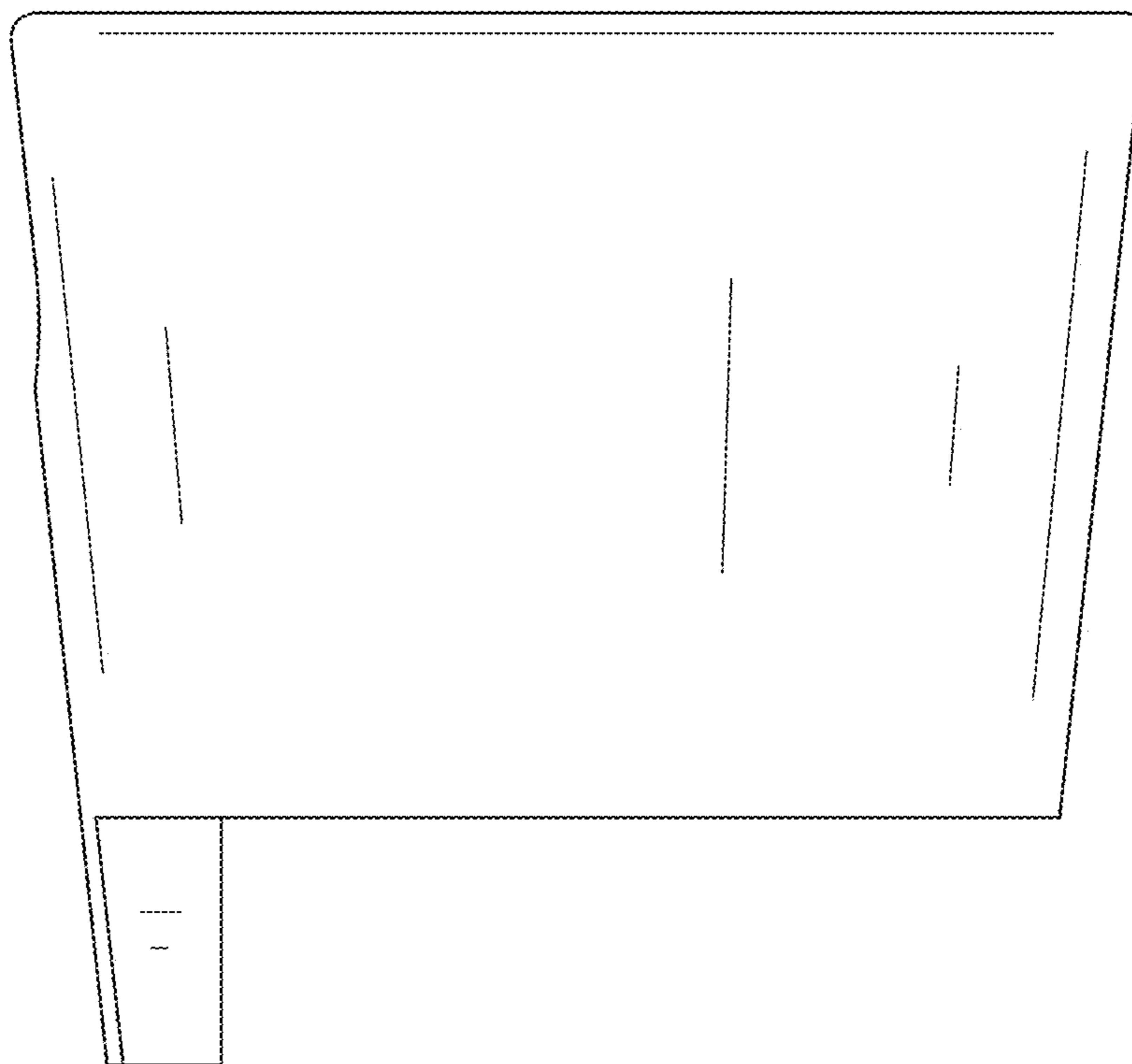


FIG. 6

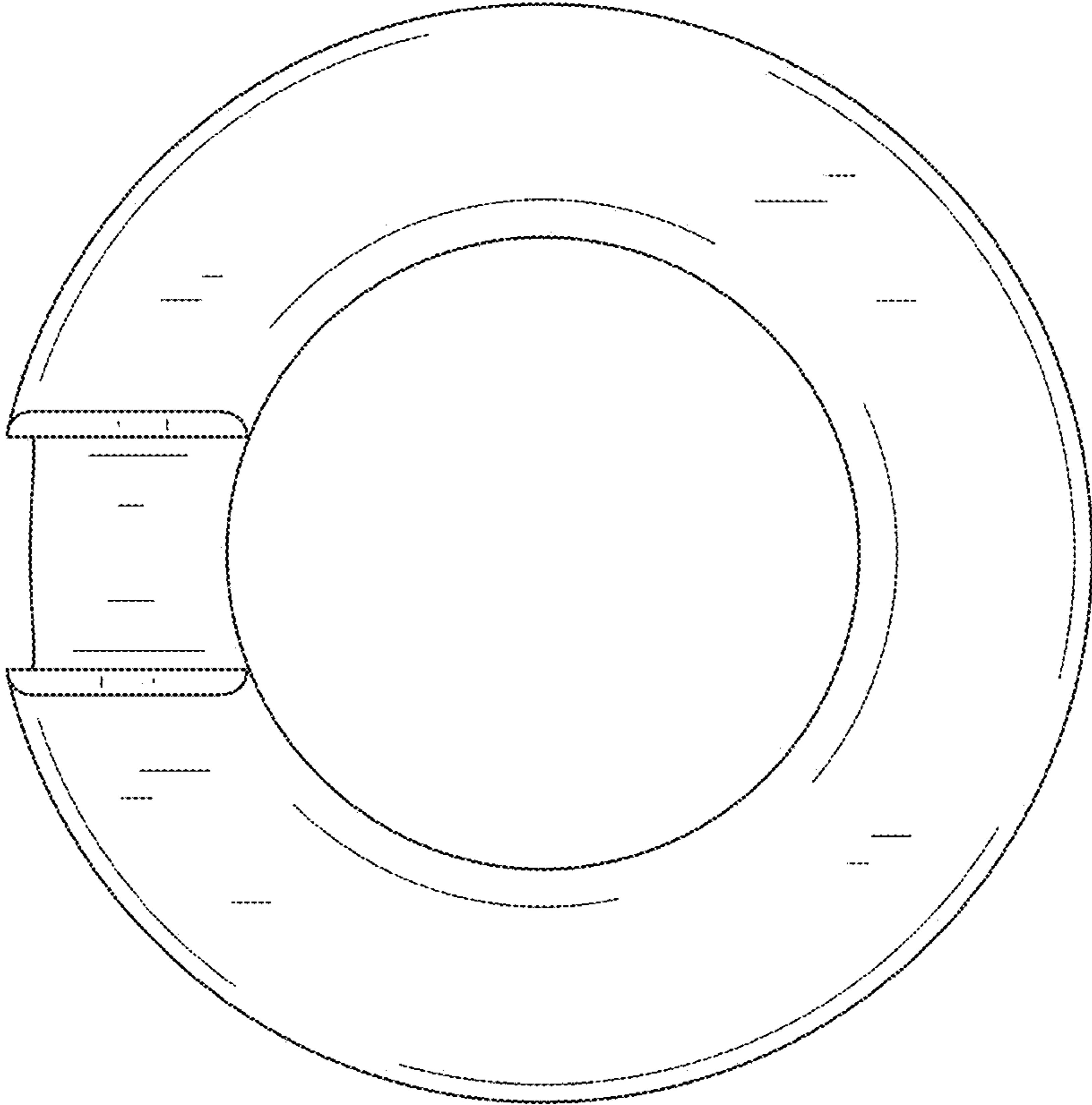


FIG. 7

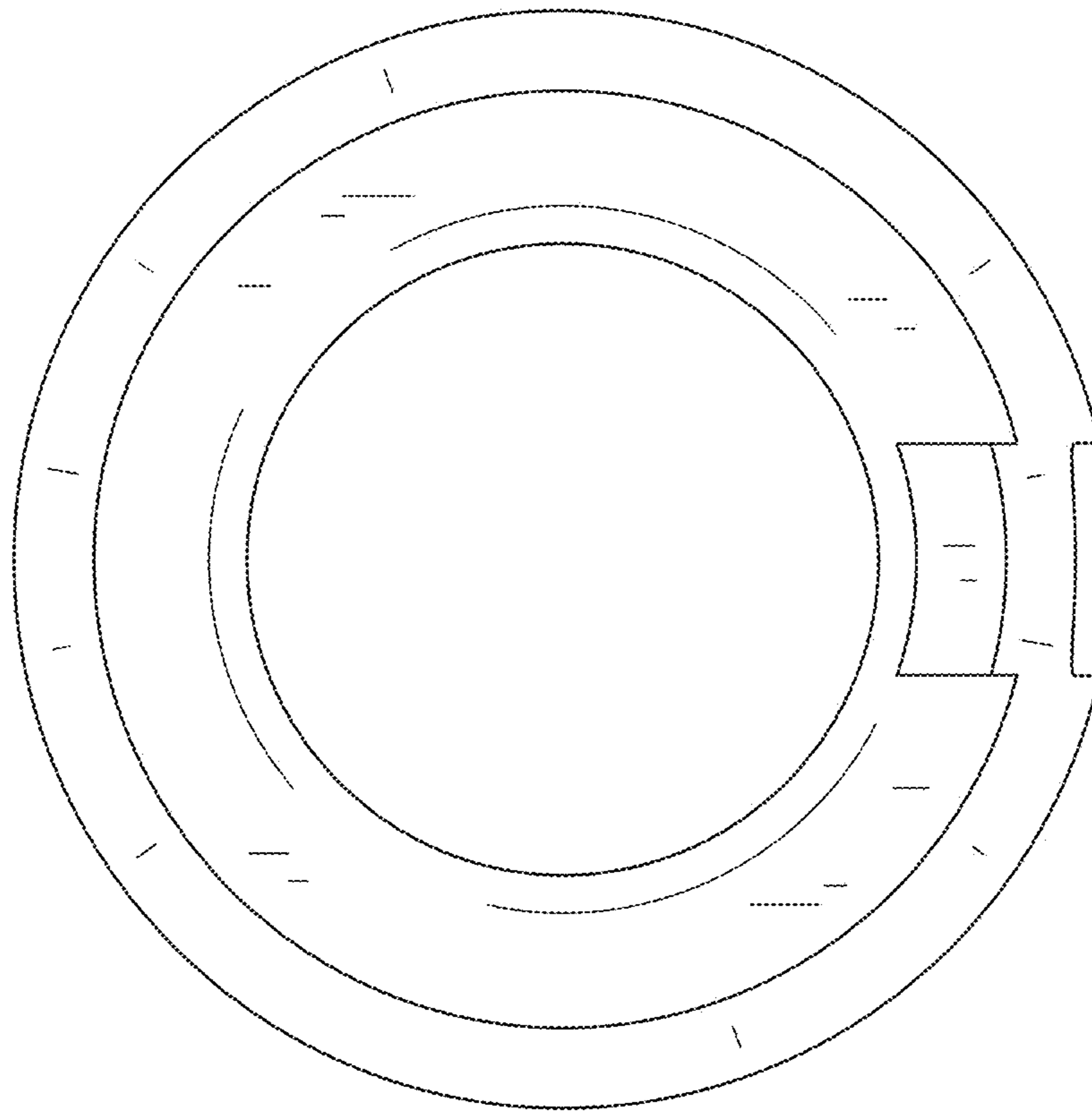


FIG. 8

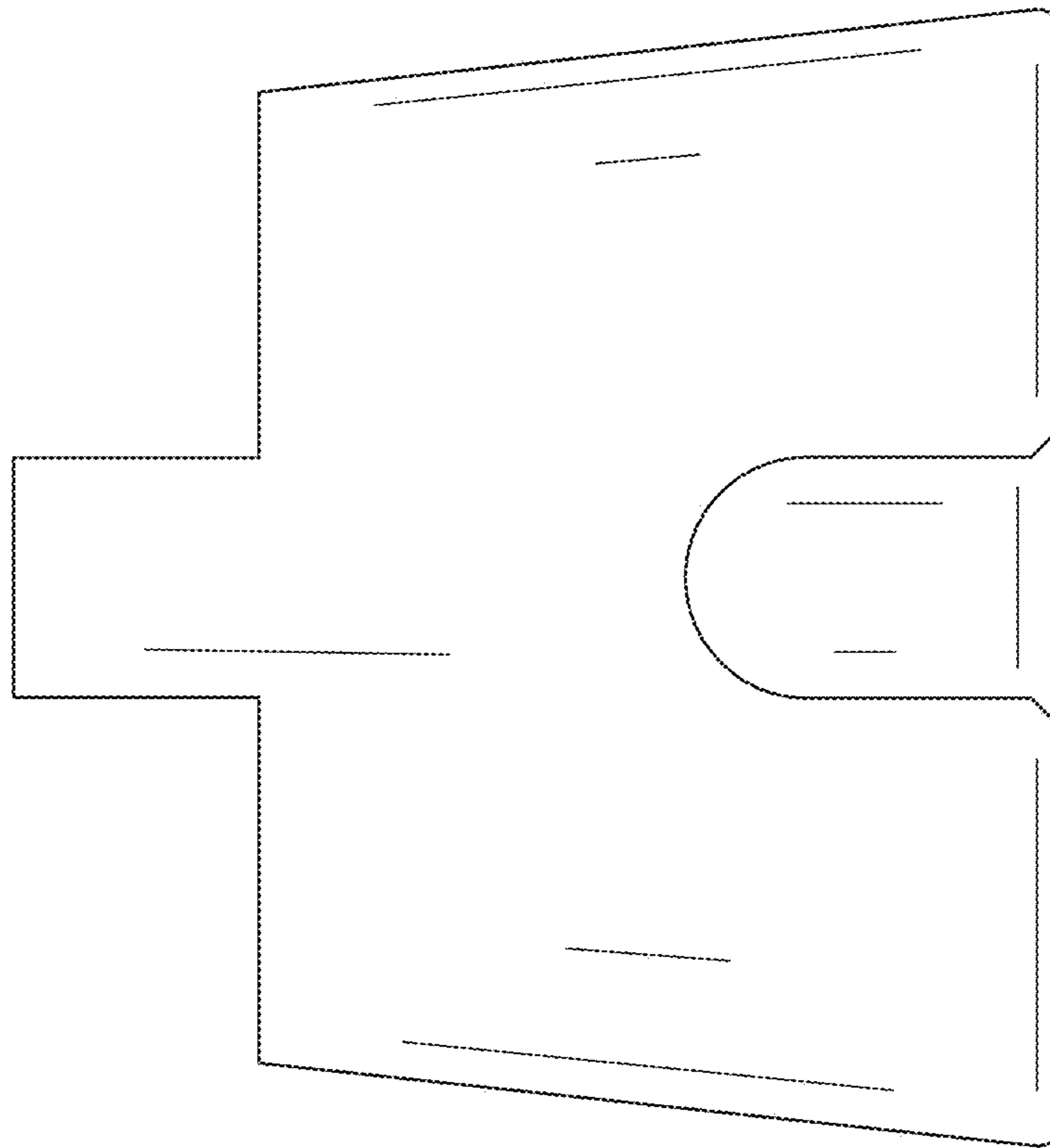


FIG. 9

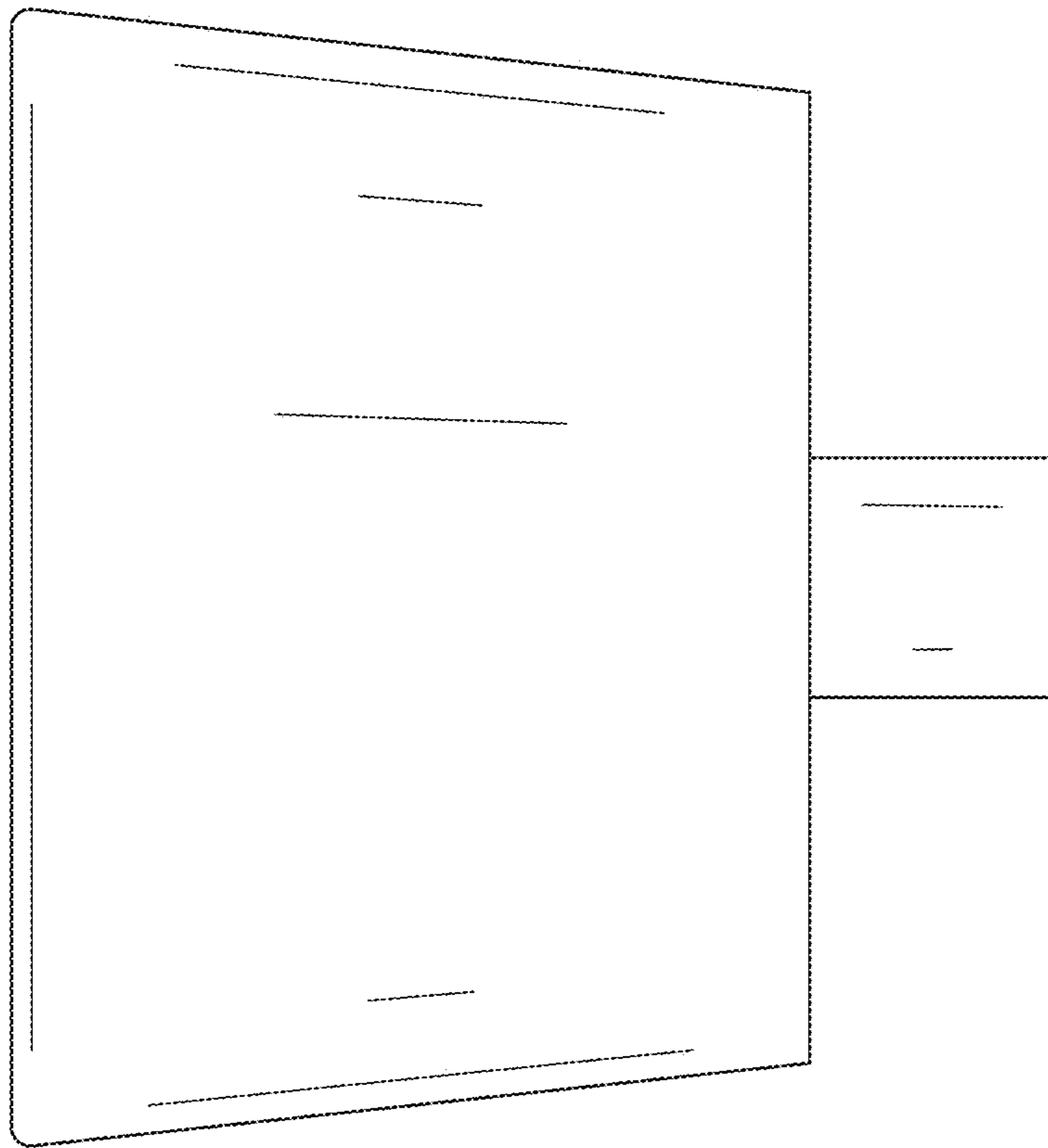


FIG. 10

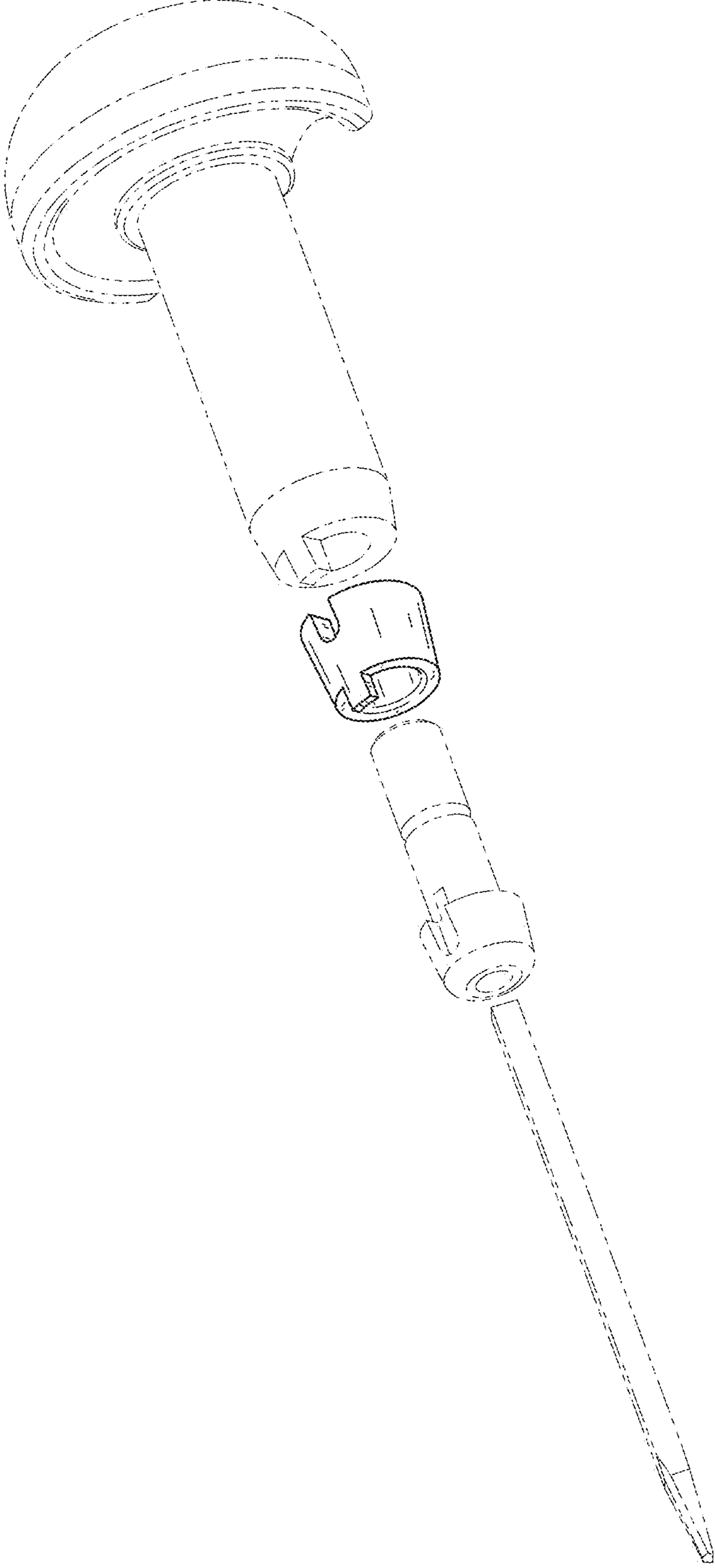


FIG. 11