



US00D926003S

(12) **United States Design Patent** (10) **Patent No.:** **US D926,003 S**
Brochman (45) **Date of Patent:** **** Jul. 27, 2021**

(54) **TUBING BENDER**
(71) Applicant: **Brochman Innovations, LLC**, White Bear Lake, MN (US)
(72) Inventor: **Todd Brochman**, White Bear Lake, MN (US)

3,680,347 A 8/1972 Schenck et al.
D229,281 S * 11/1973 Benfield D8/32
3,785,190 A 1/1974 Schall et al.
3,824,835 A 7/1974 Jackson
3,889,508 A 6/1975 Sugita
(Continued)

(73) Assignee: **Brochman Innovations, LLC**, White Bear Lake, MN (US)

FOREIGN PATENT DOCUMENTS
CN 107350316 A 11/2017
DE 4319591 A1 10/1994
(Continued)

(**) Term: **15 Years**

(21) Appl. No.: **29/734,887**

OTHER PUBLICATIONS

(22) Filed: **May 15, 2020**

Electric bender ROBEND® 4000 set, Rothenberger ROBEND, accessed Nov. 18, 2020, 3 pages.
(Continued)

(51) **LOC (13) Cl.** **15-05**

(52) **U.S. Cl.**
USPC **D8/32; D15/123**

(58) **Field of Classification Search**
USPC D8/32, 40, 60; D15/123
CPC ... B21D 7/06; B21D 7/12; B21D 7/14; B21D 7/16; B21D 7/063

See application file for complete search history.

Primary Examiner — Patricia A Palasik
(74) *Attorney, Agent, or Firm* — Patterson Thuent Pedersen, Inc.

(57) **CLAIM**

The ornamental design for a tubing bender, as shown and described.

(56) **References Cited**

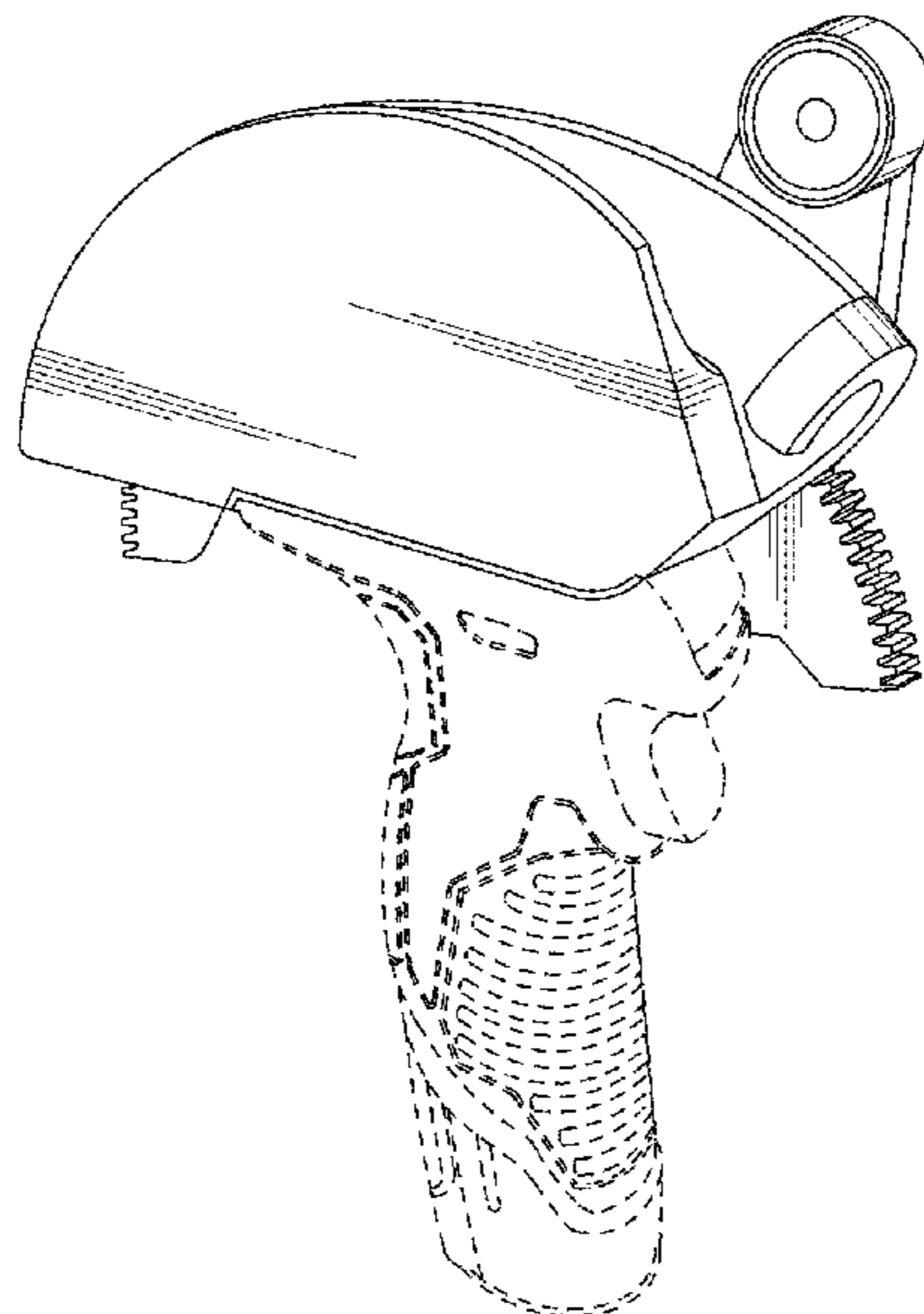
U.S. PATENT DOCUMENTS

1,687,210 A * 10/1928 Holsclaw B21D 7/024
72/388
D153,102 S * 3/1949 Benfield D8/32
D173,830 S 1/1955 Bergman
2,709,382 A 5/1955 Safranski
2,754,880 A * 7/1956 Kuehlman B21D 7/024
72/154
2,817,986 A * 12/1957 Benfield B21D 7/063
72/459
D188,003 S 5/1960 Curtiss
3,051,218 A * 8/1962 Franck B21D 7/063
72/387
3,130,633 A 4/1964 Rantsch
3,336,779 A 8/1967 Schall
D222,028 S * 9/1971 Benfield D8/32

DESCRIPTION

FIG. 1 is isometric view depicting a tubing bender, according to a first embodiment of the disclosure.
FIG. 2 is a right-side view of the tubing bender of FIG. 1.
FIG. 3 is a left-side view of the tubing bender of FIG. 1.
FIG. 4 is a rear view of the tubing bender of FIG. 1.
FIG. 5 is a front view of the tubing bender of FIG. 1.
FIG. 6 is a top view of the tubing bender of FIG. 1; and, FIG. 7 is a bottom view of the tubing bender of FIG. 1.
In each of the figures, portions or features of the tubing bender shown in broken lines form no part of the claimed design.

1 Claim, 4 Drawing Sheets



(56)

References Cited

U.S. PATENT DOCUMENTS

4,077,249 A * 3/1978 Schmitter B21D 7/063
72/390.2

4,249,407 A 2/1981 Fogleman

4,269,056 A 5/1981 Kozinski

4,442,695 A 4/1984 Gardner

4,452,064 A 6/1984 Custin

4,622,837 A * 11/1986 Bergman B21D 7/063
33/334

4,760,727 A 8/1988 Van Landingham

4,827,755 A 5/1989 Strybel

4,843,858 A 7/1989 Grimm et al.

4,926,672 A 5/1990 Swanson

5,022,249 A 6/1991 Caporusso et al.

5,056,347 A 10/1991 Wagner

D326,395 S 5/1992 Aulgur

5,203,192 A 4/1993 Kimura

D345,742 S * 4/1994 Adleman D15/123

5,301,530 A 4/1994 Beelen et al.

5,305,223 A 4/1994 Saegusa

5,727,419 A 3/1998 Walsten

D410,658 S 6/1999 Walsten

6,026,668 A 2/2000 Oda et al.

6,463,780 B1 10/2002 Kalanish

6,487,889 B1 * 12/2002 Bates B21D 7/063
72/459

6,609,405 B1 8/2003 Bates et al.

7,024,905 B1 4/2006 Carlson et al.

7,143,629 B1 12/2006 Chiu

7,234,338 B2 6/2007 Mirtz et al.

7,293,362 B2 11/2007 Konen

D596,004 S * 7/2009 Picaza Ibarondo D8/32

7,900,495 B2 3/2011 Latoria

D645,061 S 9/2011 Plummer

8,333,097 B1 12/2012 Frear

8,438,955 B2 5/2013 Wilson, Jr. et al.

8,511,131 B2 8/2013 Latoria

8,991,229 B1 3/2015 Cheng

9,156,075 B2 10/2015 Houle et al.

9,662,698 B2 5/2017 Chuang

9,718,108 B2 8/2017 Latoria

9,968,976 B2 5/2018 Klinger

10,189,069 B1 * 1/2019 Huang B21D 7/06

10,441,984 B1 10/2019 Brochman

10,518,310 B2 12/2019 Tang et al.

D872,602 S 1/2020 Doeren

10,919,080 B1 * 2/2021 Brochman B21D 7/06

2004/0182129 A1 * 9/2004 Hopwood B21D 7/063
72/459

2008/0190164 A1 8/2008 Boon et al.

2009/0188291 A1 7/2009 Itrich et al.

2011/0000273 A1 1/2011 Latoria

2013/0180053 A1 7/2013 Rubin et al.

2017/0274437 A1 9/2017 Klinger

FOREIGN PATENT DOCUMENTS

EP 0350457 A2 1/1990

EP 2106864 A2 * 10/2009 B21D 7/063

FR 2387703 A1 11/1978

GB 2228221 A 8/1990

JP S54159375 A 12/1979

WO WO-2004085094 A2 * 10/2004 B21J 13/08

WO WO-2020097001 A1 5/2020

WO WO-2020097007 A1 5/2020

OTHER PUBLICATIONS

Portable Cyclone, Gardner Bender Portable Cyclone, accessed Nov. 18, 2020, 5 pages.

“Sales Brochure,” actoolsupply.com, accessed Sep. 2018, 2 pages.

Application and File History for U.S. Appl. No. 16/247,211, filed Jan. 14, 2019. Inventors: Brochman.

Search Report and Written Opinion dated Mar. 9, 2020, for PCT Application No. PCT/US2019/059750, 12 pages.

Search Report dated Mar. 24, 2020, for PCT Application No. PCT/US2019/059759, 3 pages.

Written Opinion dated Mar. 24, 2020, for PCT Application No. PCT/US2019/059759, 5 pages.

Youtube, “Tube Bender,” Oct. 31, 2-14, retrieved from <https://www.youtube.com/watch?v=ScsGGM689vs>, on Apr. 20, 2020, 2 pages.

* cited by examiner

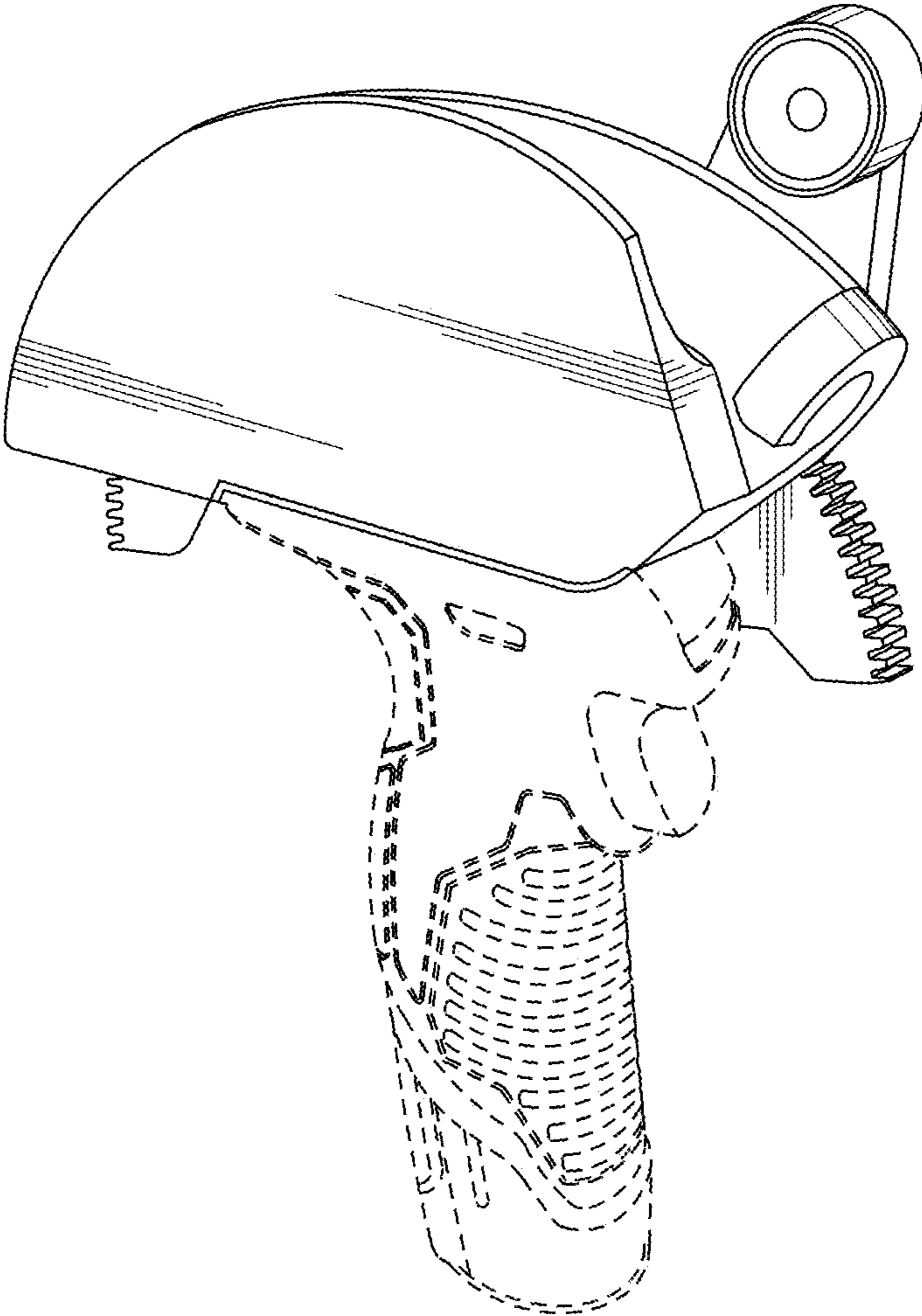


FIG. 1

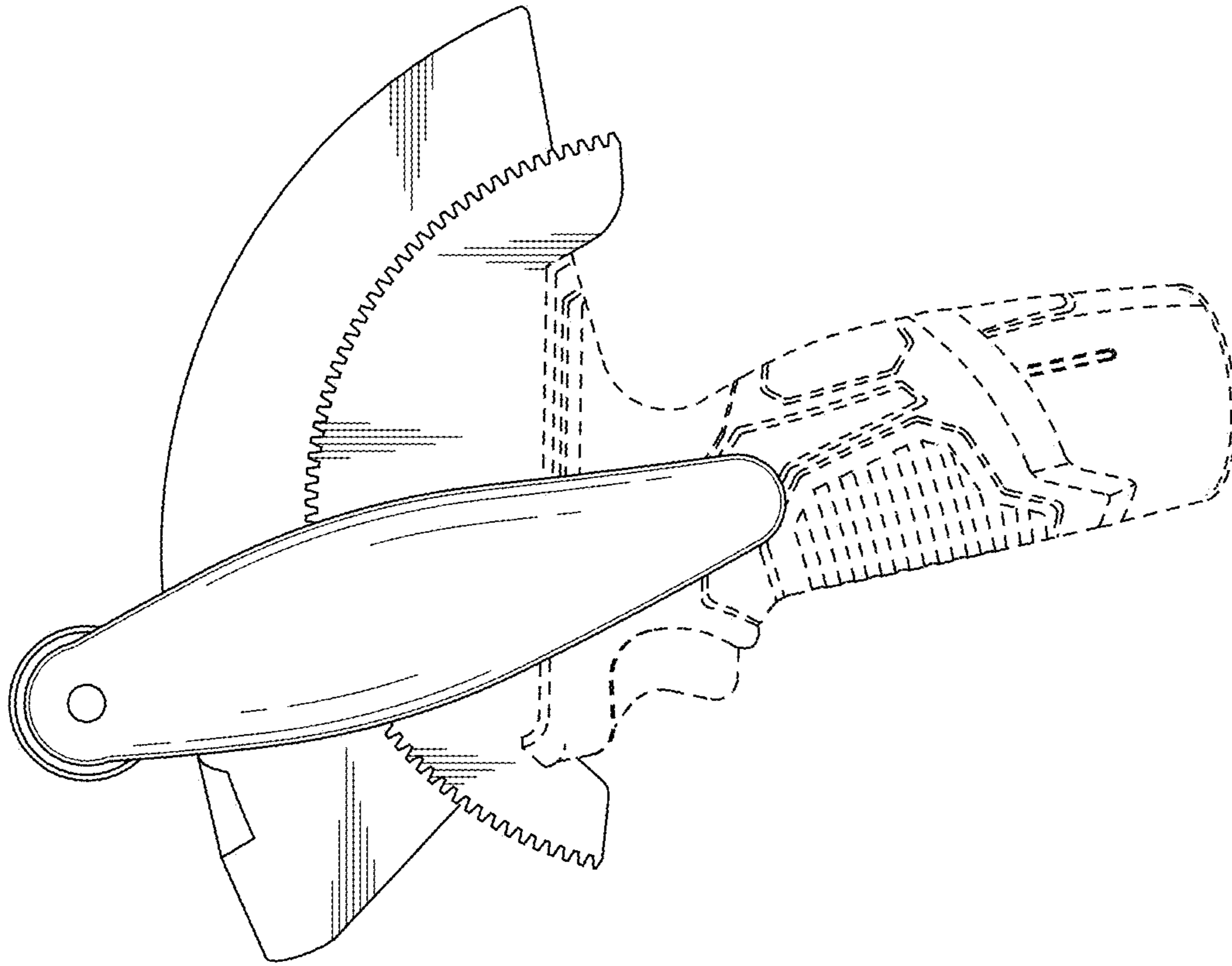


FIG. 3

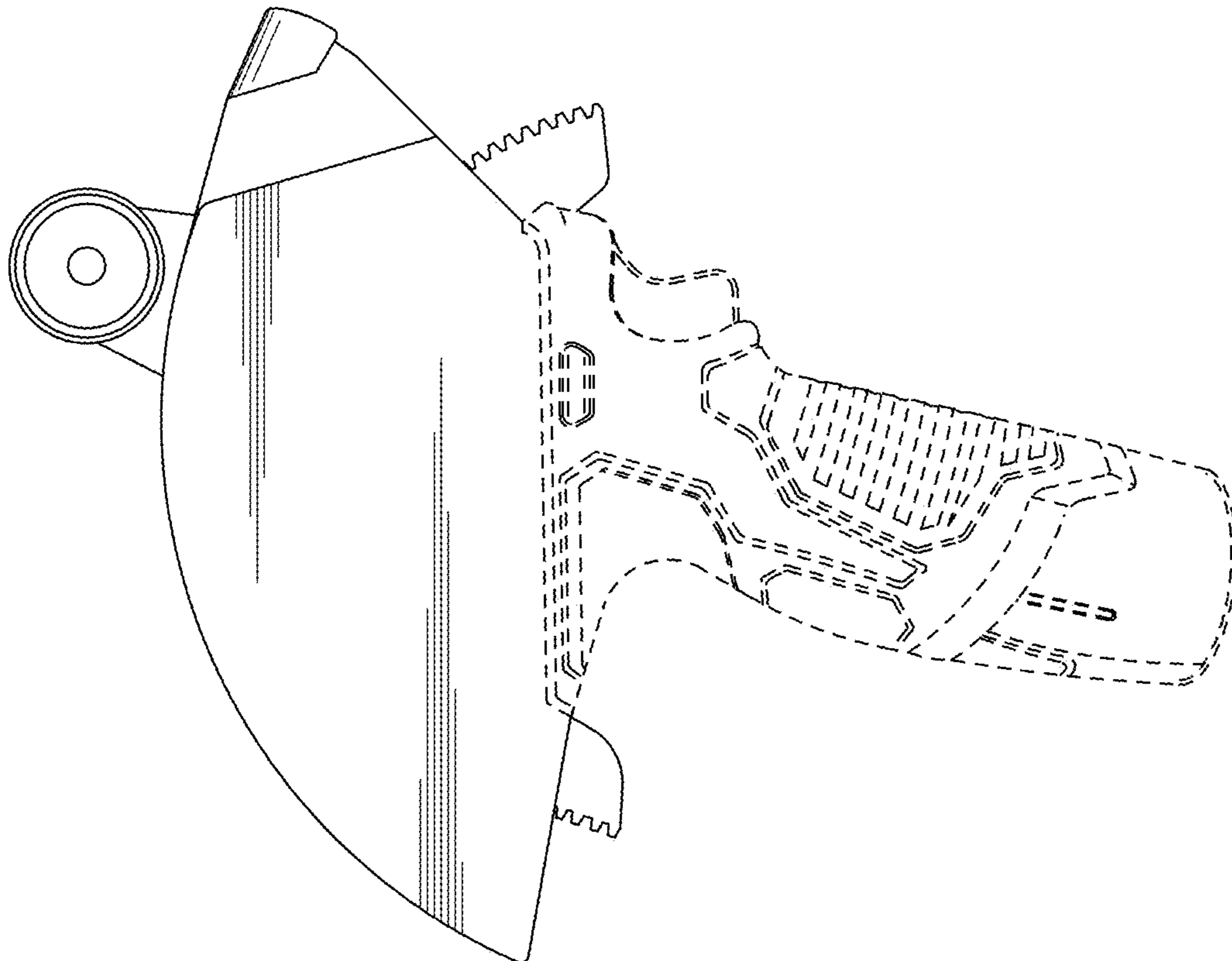


FIG. 2

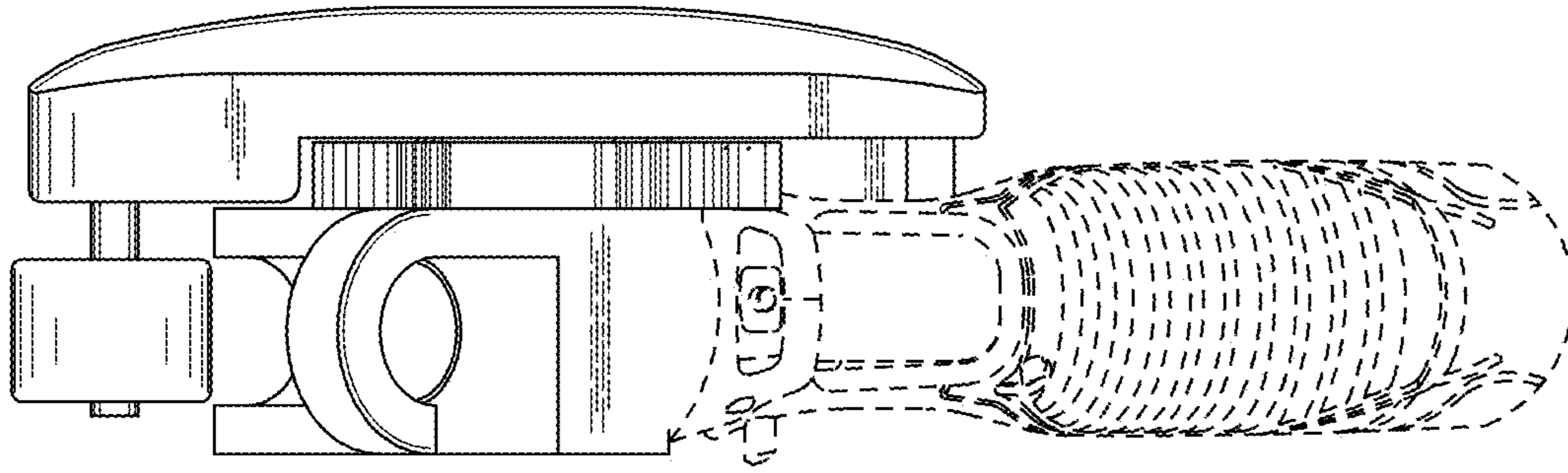


FIG. 5

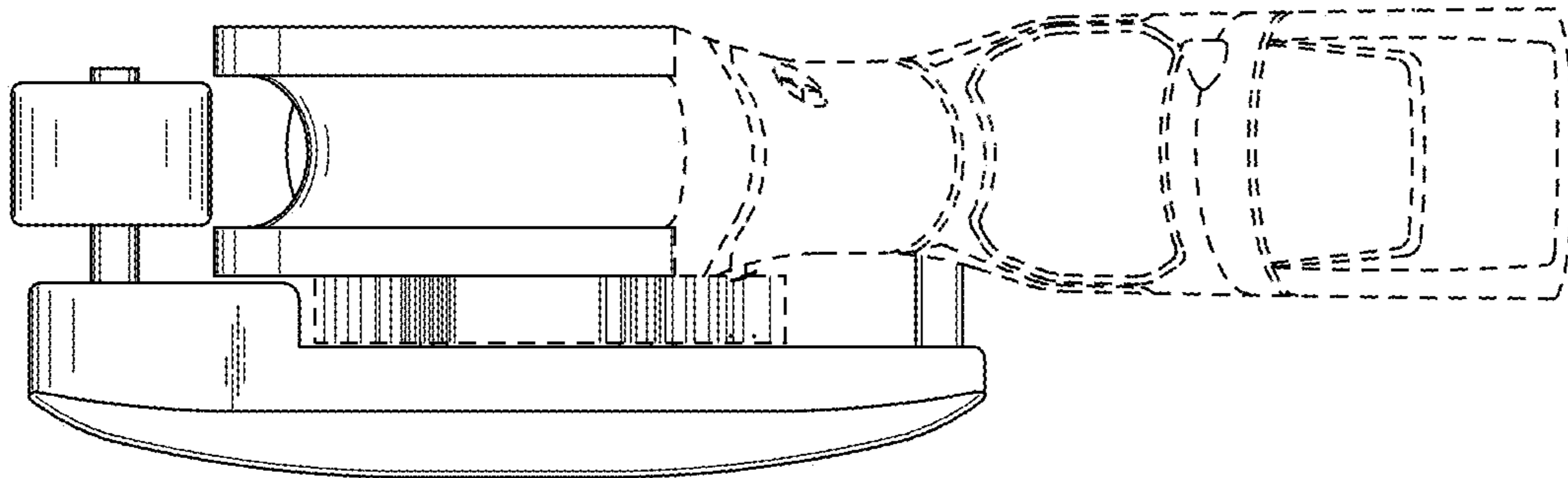


FIG. 4

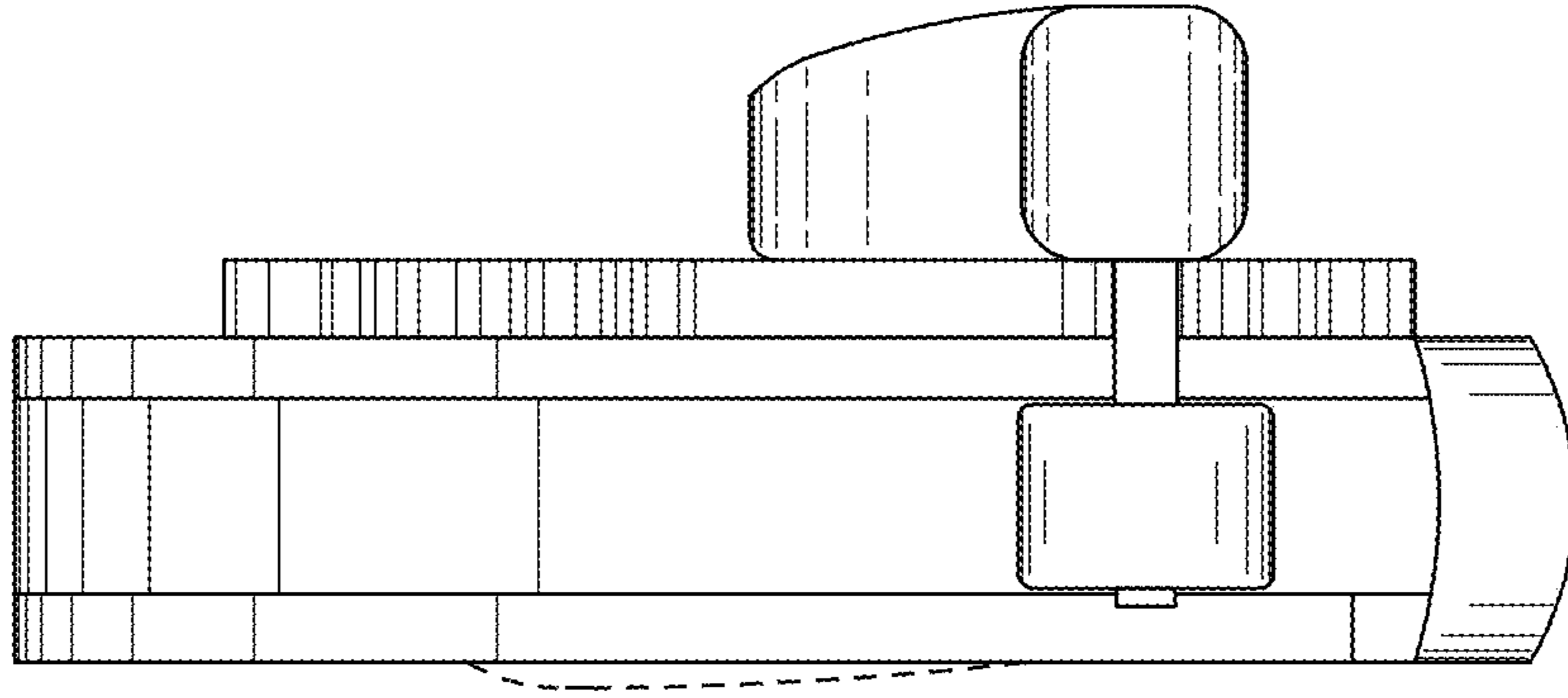


FIG. 6

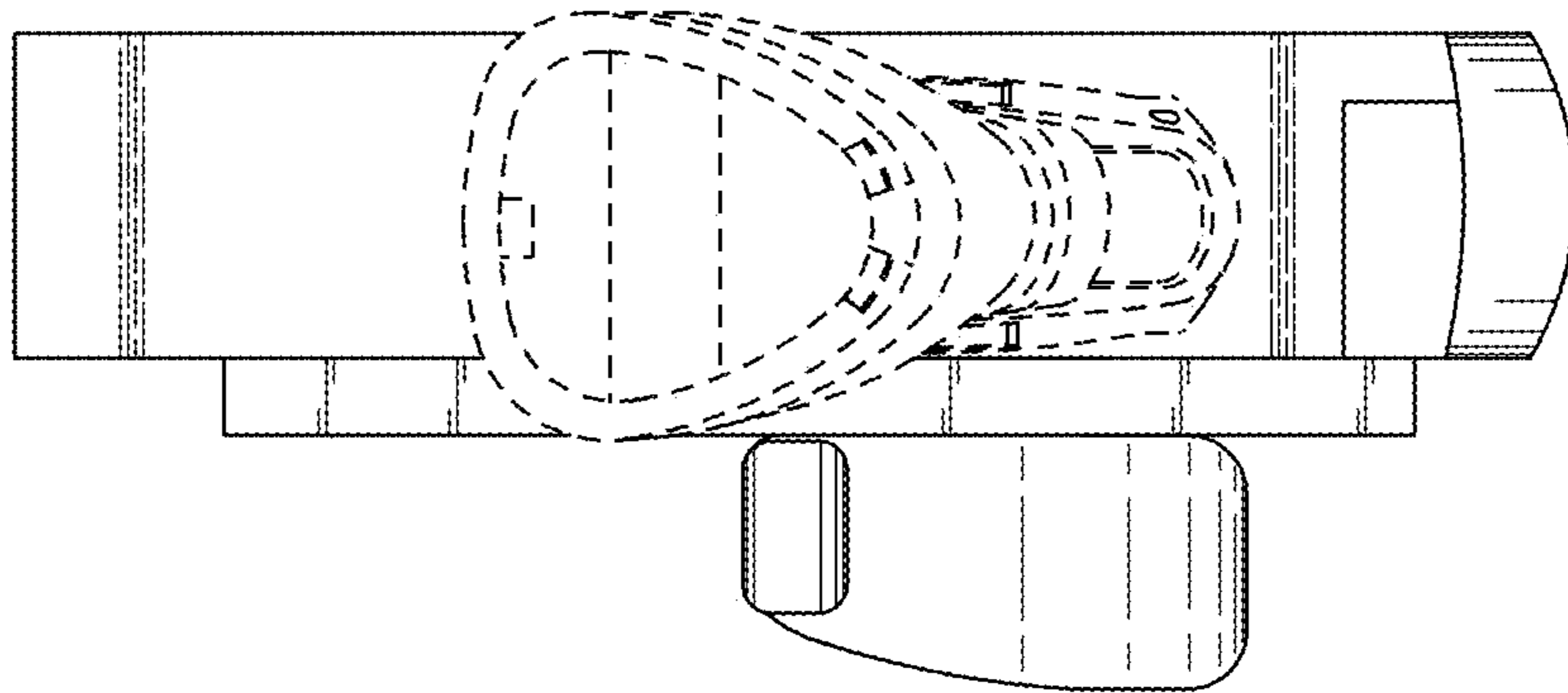


FIG. 7