



US00D926002S

(12) **United States Design Patent** (10) **Patent No.:** **US D926,002 S**
Lazarov (45) **Date of Patent:** **** Jul. 27, 2021**

(54) **STAKE INSTALL ADAPTER** 6,374,707 B1 * 4/2002 Browning B25B 13/5091
81/119
(71) Applicant: **Ross Lazarov**, Prior Lake, MN (US) 6,626,068 B2 9/2003 McKivigan
D486,044 S * 2/2004 Trejo D8/14
(72) Inventor: **Ross Lazarov**, Prior Lake, MN (US) 6,711,974 B1 3/2004 Lin
6,715,384 B1 4/2004 Kozak
6,729,210 B2 5/2004 Morris
(**) Term: **15 Years** 6,854,364 B1 2/2005 Tassano et al.
D561,545 S * 2/2008 Jahn D8/21
(21) Appl. No.: **29/726,276** 7,878,093 B1 2/2011 Peterman
8,757,635 B2 6/2014 Christofilis et al.
(22) Filed: **Mar. 2, 2020** 9,221,155 B1 12/2015 Cantlon
9,511,482 B2 12/2016 Stonefield
(51) **LOC (13) Cl.** **08-05** 9,770,812 B2 9/2017 Jefferson
(52) **U.S. Cl.** 10,167,605 B2 1/2019 Butterworth et al.
USPC **D8/29** 2002/0096023 A1 7/2002 Sanford
2005/0132848 A1 6/2005 Tassano et al.

(58) **Field of Classification Search**
USPC D8/14, 21, 27, 29, 70
CPC ... B25B 13/5091; B25B 13/06; B25B 13/065;
B25B 21/00; B25B 21/002
See application file for complete search history.

(56) **References Cited**

U.S. PATENT DOCUMENTS

4,724,731 A 2/1988 Onofrio
4,823,650 A 4/1989 Tuttle
4,984,489 A 1/1991 Krauthamer
D319,764 S * 9/1991 McCord, Jr. D8/70
D320,542 S * 10/1991 McCord, Jr. D8/70
D342,001 S * 12/1993 Hibbert D17/20
D366,996 S * 2/1996 Torres D17/22
D376,520 S * 12/1996 Morin D8/14
D386,056 S * 11/1997 Streeter D8/70
5,697,268 A 12/1997 Makovsky et al.
5,791,208 A 8/1998 Grubbs
D397,596 S * 9/1998 Morin D8/14
5,943,922 A 8/1999 Rolfe
D432,880 S * 10/2000 Rice D8/29

* cited by examiner

Primary Examiner — Philip S Hyder
(74) *Attorney, Agent, or Firm* — Haugen Law Firm PLLP

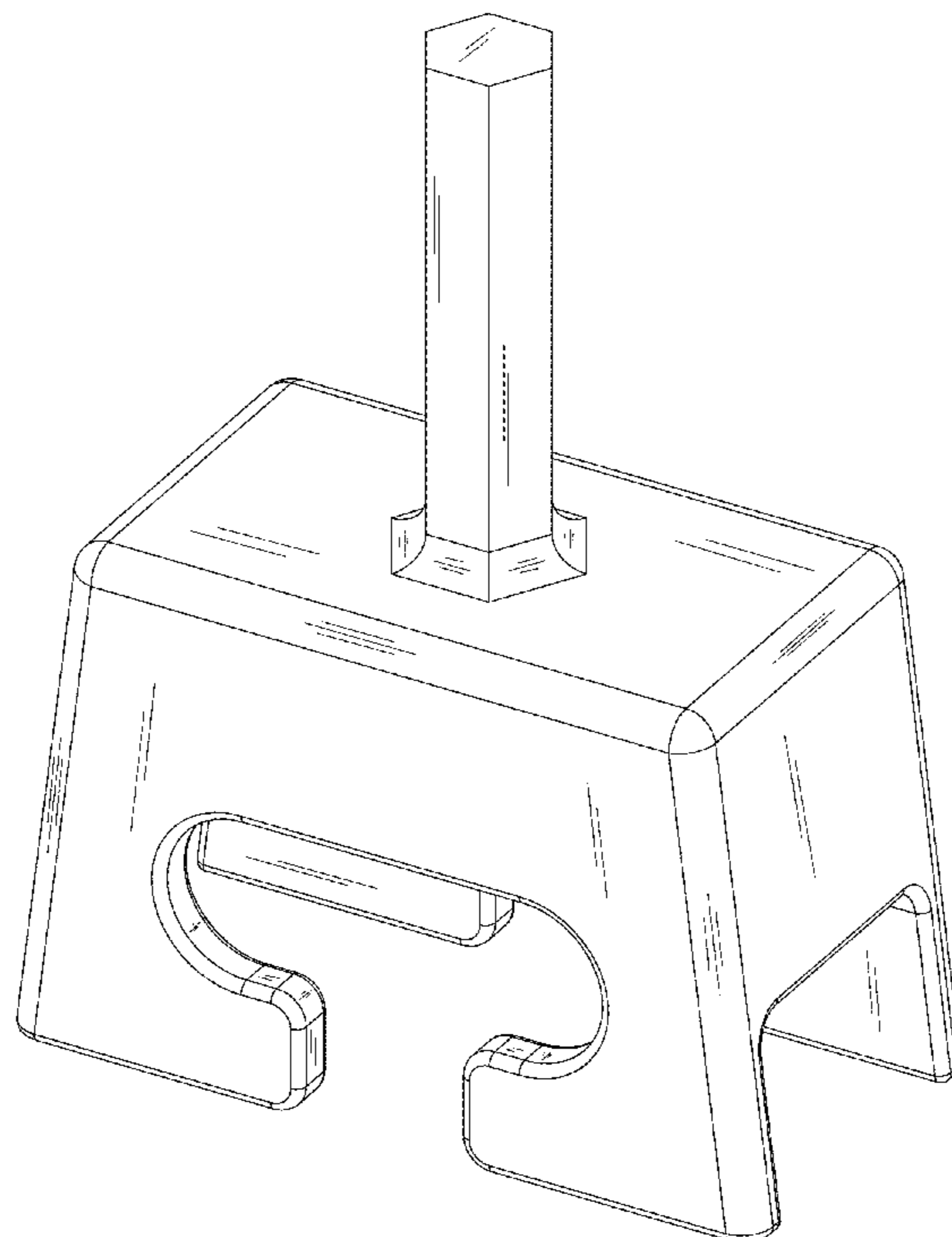
(57) **CLAIM**

The ornamental design for a stake install adapter, as shown and described.

DESCRIPTION

FIG. 1 is a front top perspective view of the stake install adapter of the present invention;
FIG. 2 is a front view thereof;
FIG. 3 is a back view thereof;
FIG. 4 is a left side view thereof;
FIG. 5 is a right side view thereof;
FIG. 6 is a top view thereof;
FIG. 7 is a bottom view thereof; and,
FIG. 8 is a back bottom perspective view thereof.

1 Claim, 8 Drawing Sheets



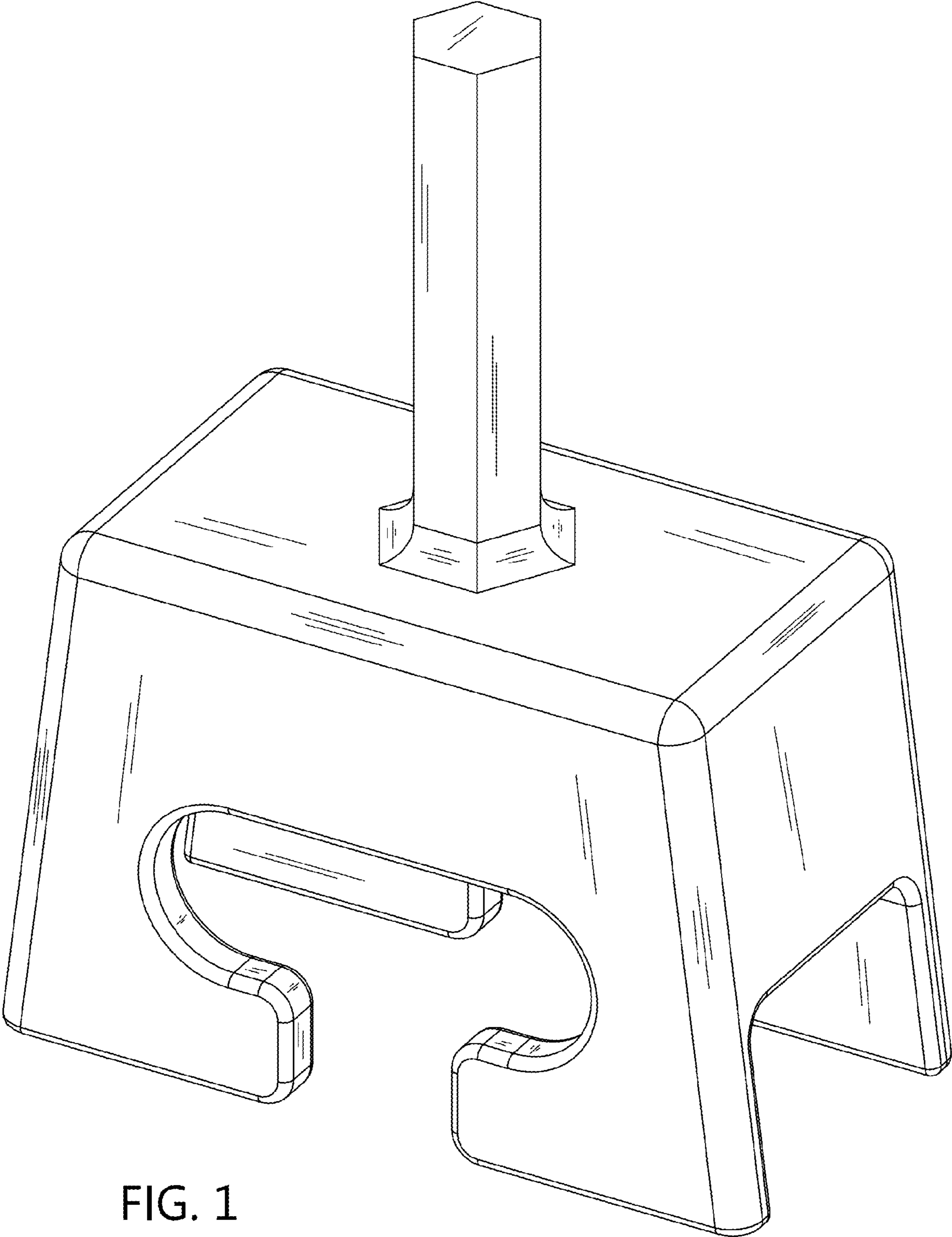


FIG. 1

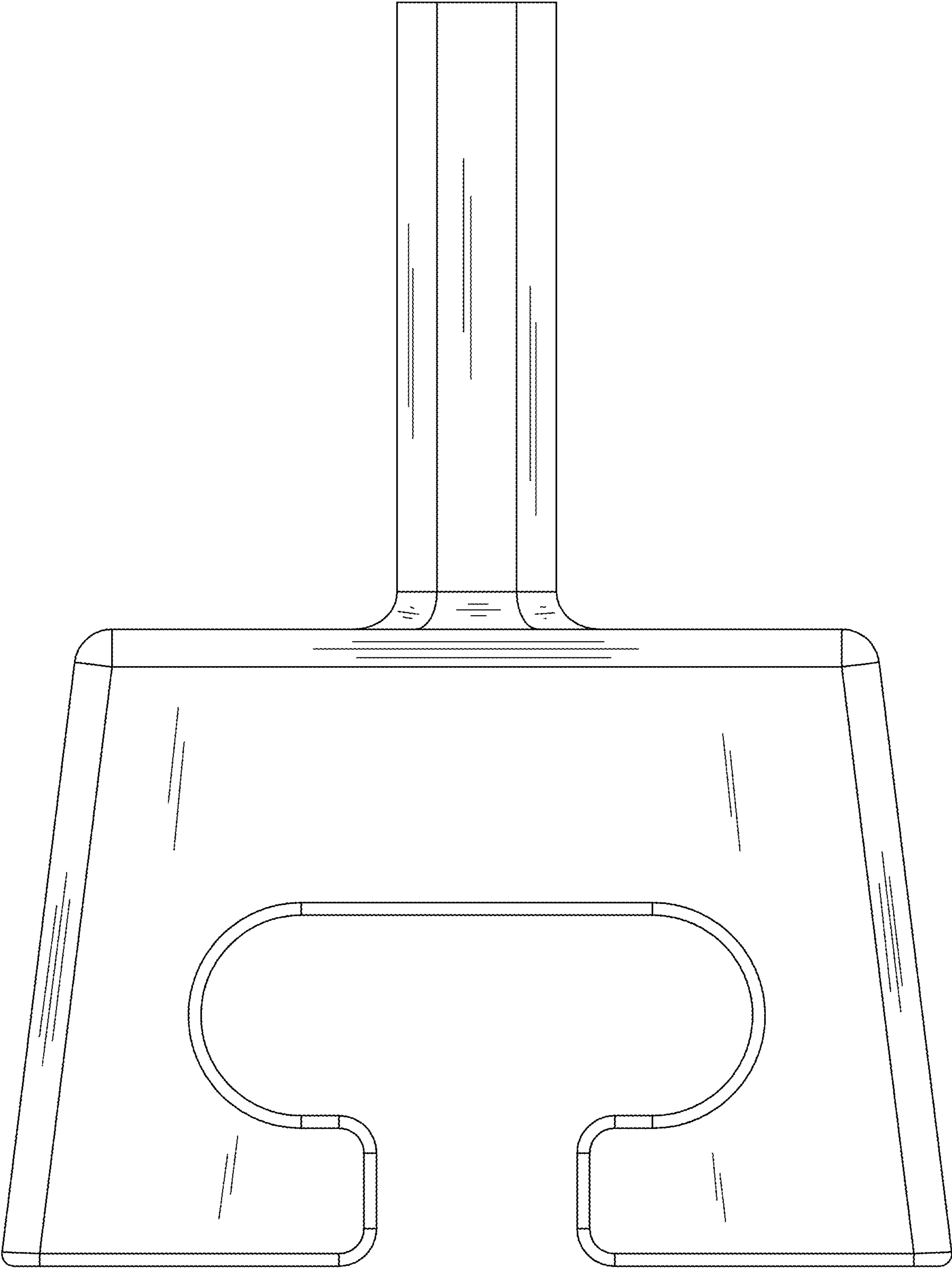


FIG. 2

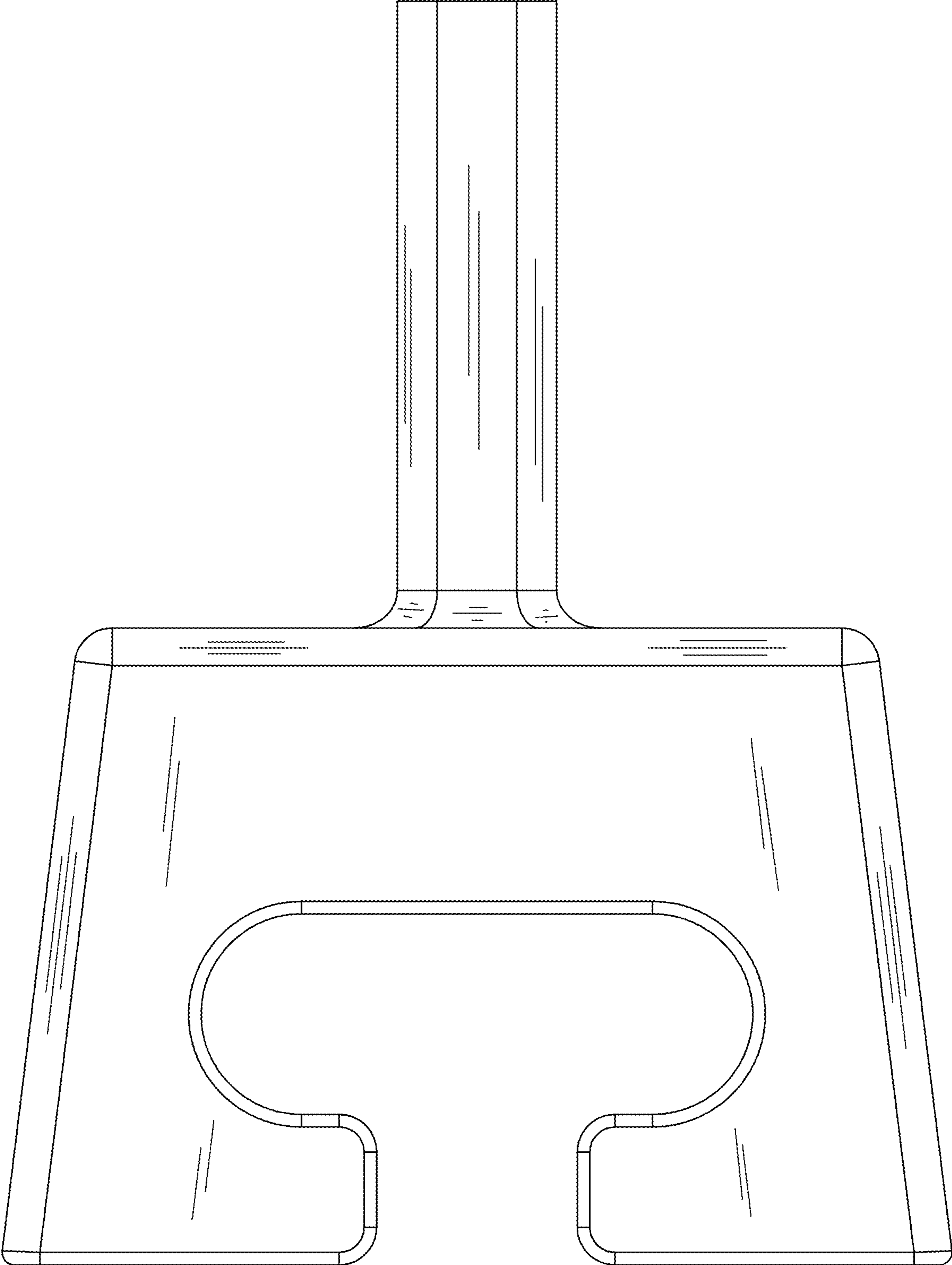


FIG. 3

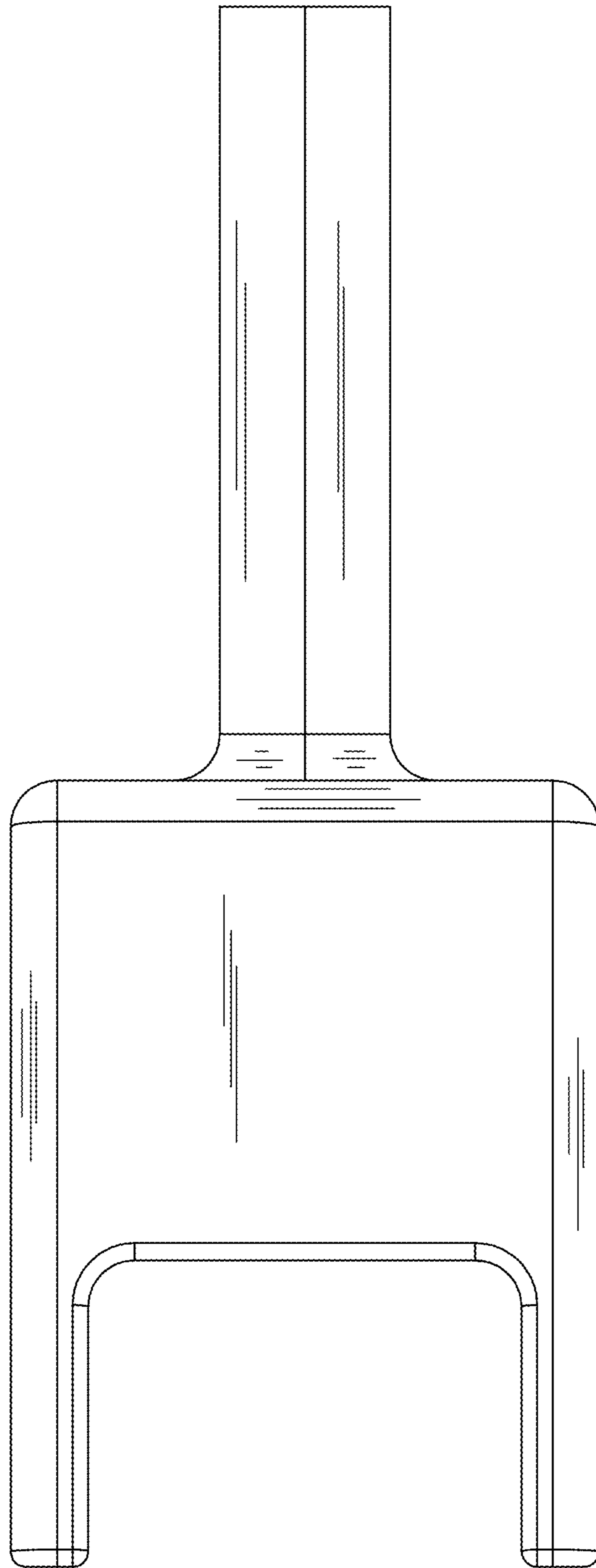


FIG. 4

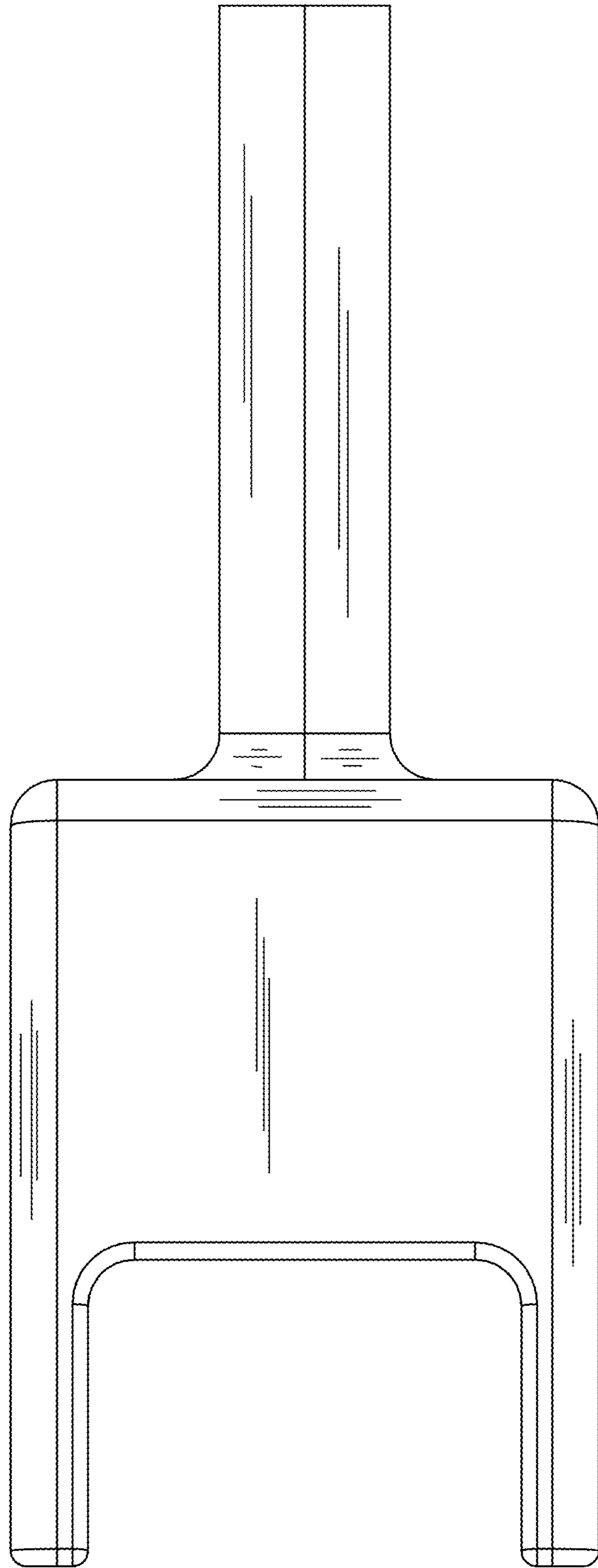


FIG. 5

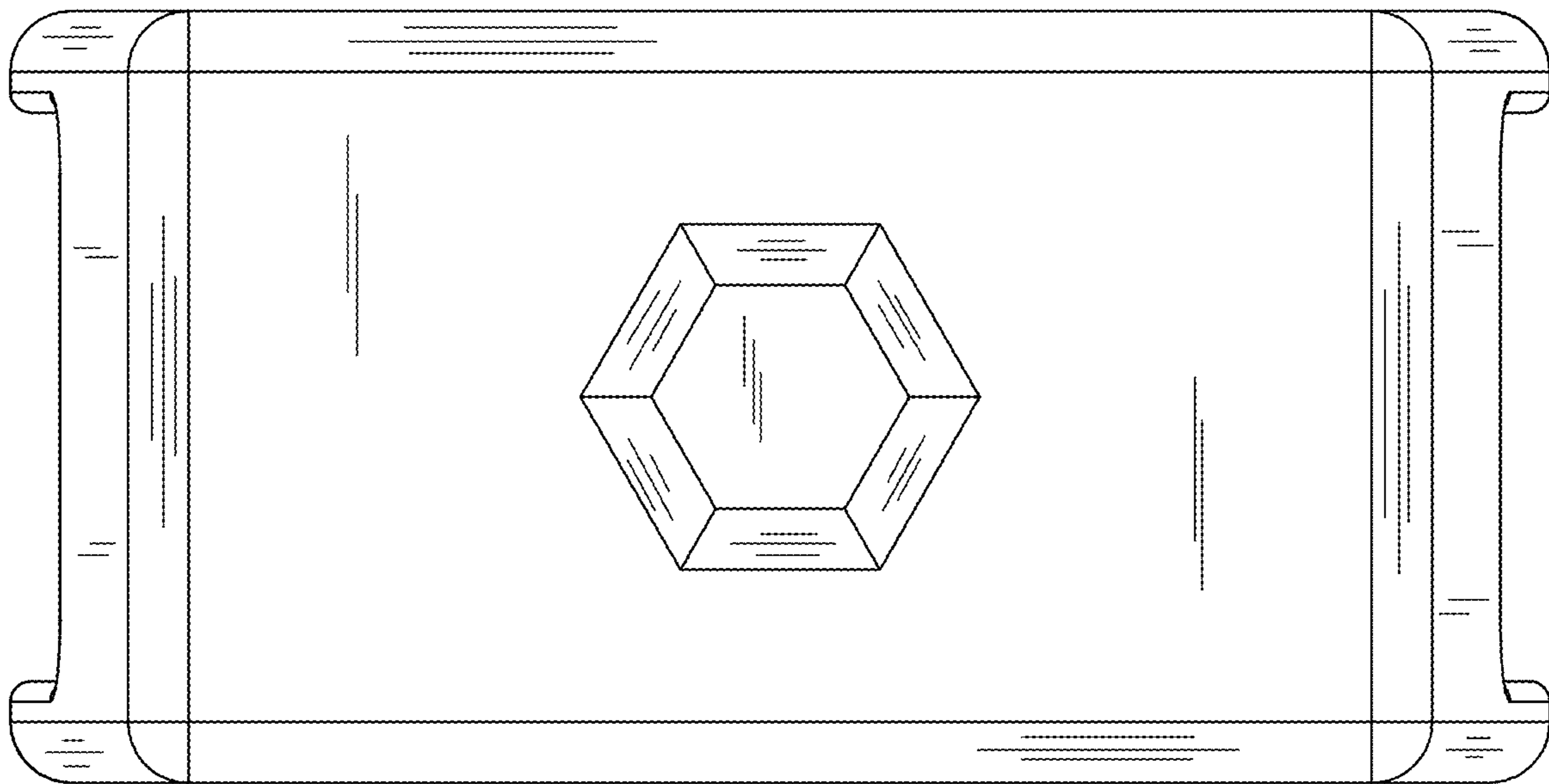


FIG. 6

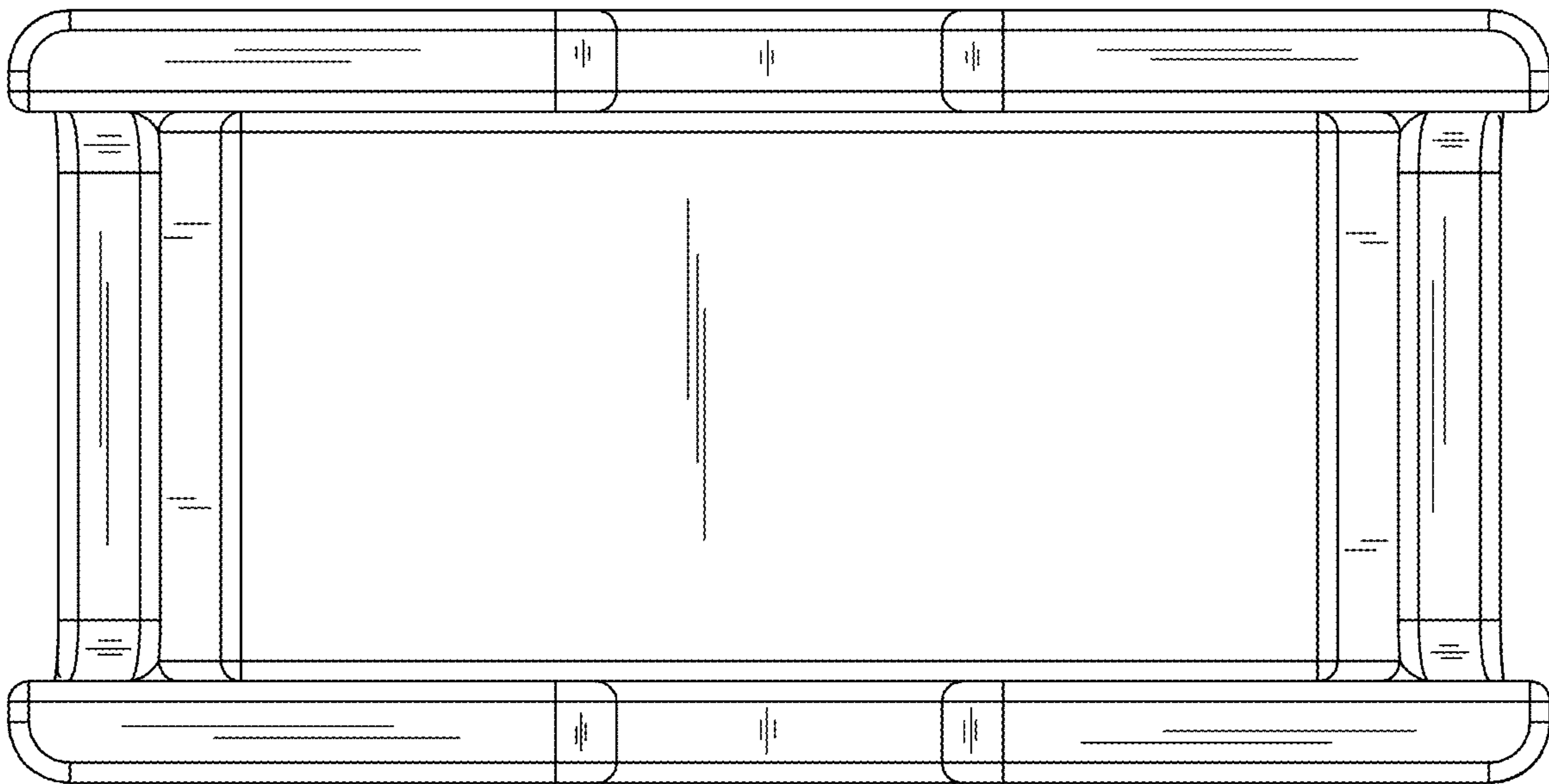


FIG. 7

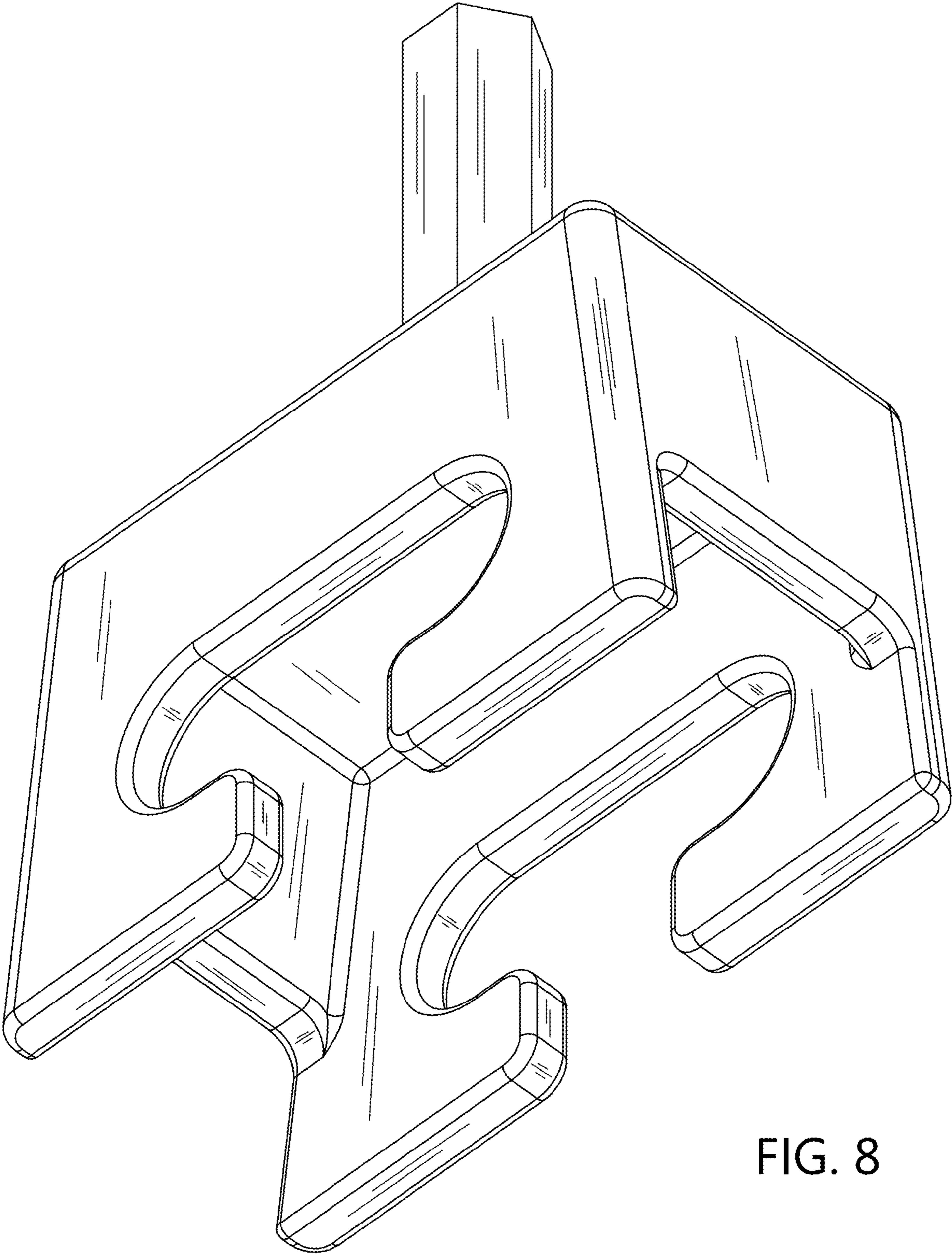


FIG. 8