



US00D926001S

(12) **United States Design Patent** (10) **Patent No.:** **US D926,001 S**
Jacques (45) **Date of Patent:** **** Jul. 27, 2021**

(54) **SANDING DEVICE**

(71) Applicant: **Anthony Jacques**, West Jordan, UT (US)

(72) Inventor: **Anthony Jacques**, West Jordan, UT (US)

(**) Term: **15 Years**

(21) Appl. No.: **29/694,131**

(22) Filed: **Jun. 7, 2019**

(51) **LOC (13) Cl.** **08-05**

(52) **U.S. Cl.**
USPC **D8/16**

(58) **Field of Classification Search**

USPC D8/316, 358, 359, 363, 366, 370, 371,
D8/372, 373, 382, 374, 375, 376, 377;
D7/600.4

CPC A47G 7/047; A47G 7/045; A47G 7/042;
A47G 7/044; A01G 9/024; A01G 25/14;
A01G 27/001; A01G 9/042; A01G
27/005; A01G 31/001; A01G 9/02; A01G
9/083; A01G 9/12; B60G 2400/05146;
B62B 1/10; B62B 1/264; B62B 1/14;
B25G 1/08; B25G 1/10; B65H 75/40;
B65H 75/4407; B65H 75/4471; B65H
2701/34; B65H 2701/32; B65H 2511/142;
B65H 29/008; B65H 75/22; B65D 85/66;
B65D 85/67; E06B 11/00; E06B 11/021;
E06B 11/022; E06B 11/023; E04F
11/1804; E04F 11/1808; E04F 11/1812;
G12B 3/00; G12B 3/06; F02D 9/04;
F02D 9/101; F02D 9/10; A47F

(Continued)

(56) **References Cited**

U.S. PATENT DOCUMENTS

2,446,183 A * 8/1948 Larson B24D 15/04
451/503
2,529,105 A * 11/1950 Rogers B24D 15/02
451/522

(Continued)

OTHER PUBLICATIONS

Camco 44423 RV Curved Leveler with Chock, posted Mar. 17, 2017, [retrieved Oct. 10, 2020]. Retrieved from Internet, <URL: <https://www.amazon.com/Camco-44423-Curved-Leveler-Drive/dp/B06XPDKJN7> > (Year: 2017).*

Primary Examiner — George D. Kirschbaum

Assistant Examiner — Joseph J Kukella

(74) *Attorney, Agent, or Firm* — Law Office of Paul B. Johnson; Paul B. Johnson

(57) **CLAIM**

The ornamental design for a sanding device, as shown and described.

DESCRIPTION

FIG. 1 is a perspective view of a first sanding device showing the new design;

FIG. 2 is a top view of the first sanding device;

FIG. 3 is a left side perspective view of the first sanding device, the right side perspective view being a mirror image;

FIG. 4 is a bottom view of the first sanding device;

FIG. 5 is a front view of the first sanding device;

FIG. 6 is a rear view of the first sanding device;

FIG. 7 is a perspective view of a second sanding device showing the new design;

FIG. 8 is a top view of the second sanding device;

FIG. 9 is a left side perspective view of the second sanding device, the right side perspective view being a mirror image;

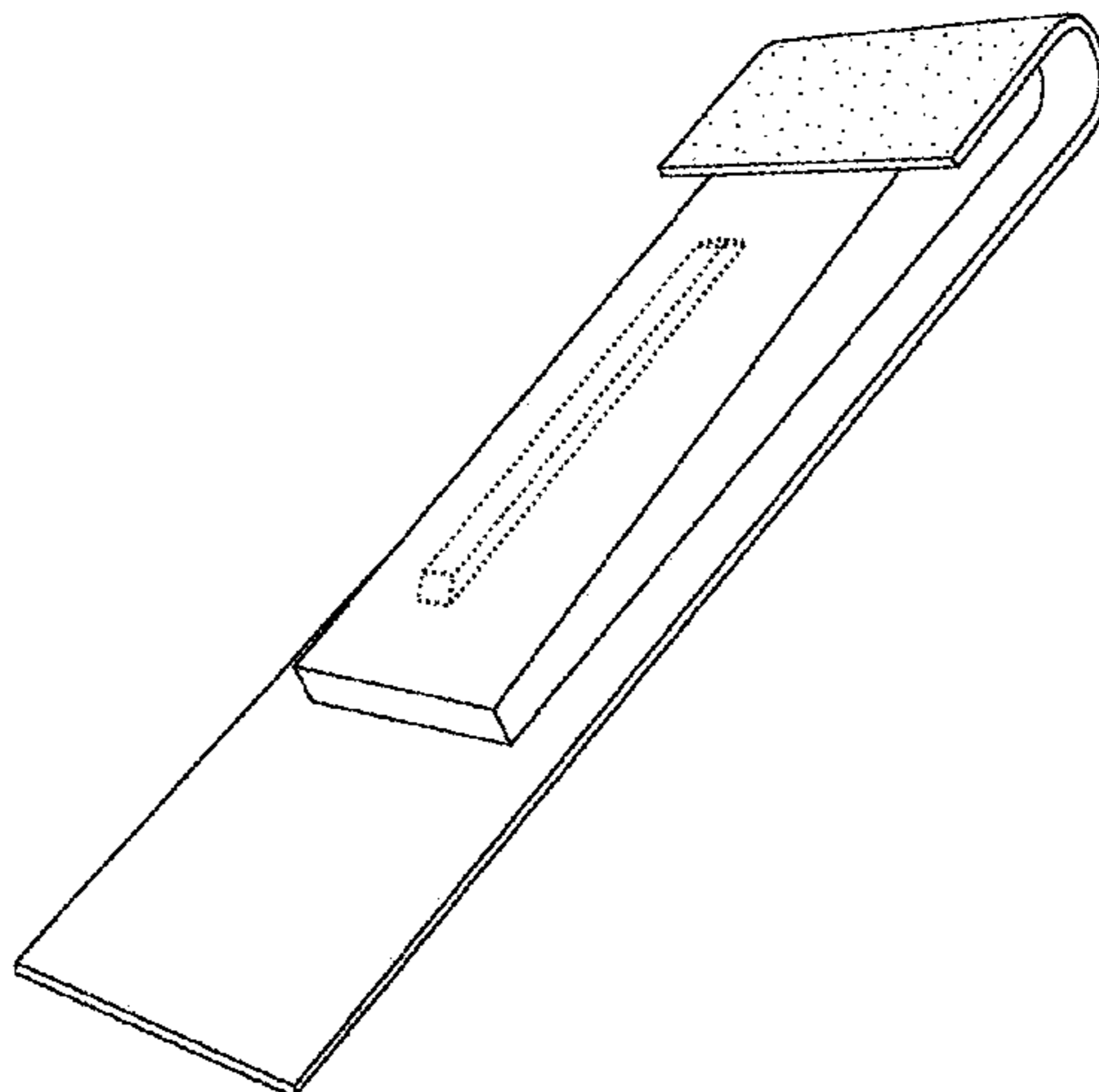
FIG. 10 is a bottom view of the second sanding device;

FIG. 11 is a front view of the second sanding device; and,

FIG. 12 is a rear view of the second sanding device.

The broken lines of FIGS. 7-9 and 11-12 show a raised member of the second sanding device which forms no part of the claimed design.

1 Claim, 12 Drawing Sheets



US D926,001 S

Page 2

(58) **Field of Classification Search**

CPC 7/14; A47F 7/16; A47F 7/143; A47F 5/08;
A47F 5/0807; A47F 5/0815; A47F
5/0838; A47F 5/0846; A47F 5/0853;
A47F 5/105

See application file for complete search history.

(56)

References Cited

U.S. PATENT DOCUMENTS

3,777,444 A * 12/1973 Dunn B24D 15/04
451/523
4,249,349 A * 2/1981 Rueb B24D 15/023
451/524
D265,545 S * 7/1982 Rueb D8/94
4,887,396 A 12/1989 Lukianoff
D308,466 S * 6/1990 Fenton D8/367
D319,766 S * 9/1991 Erickson D8/94

5,098,399 A * 3/1992 Tollini A61M 25/02
128/877
5,266,401 A * 11/1993 Tollini A61M 25/02
128/877
D370,258 S * 5/1996 Newman D24/128
5,720,654 A * 2/1998 MacDonald B24D 15/023
451/517
D402,539 S * 12/1998 Pingel D8/359
6,092,826 A * 7/2000 Pingel B60D 1/18
280/449
6,220,948 B1 * 4/2001 Carballo B24B 23/04
451/356
7,316,078 B2 * 1/2008 Hagman A47G 1/205
248/544
7,621,802 B2 11/2009 McCarthy
D678,520 S * 3/2013 Marcoe D24/128
9,108,300 B2 * 8/2015 Gringer B24D 15/023
D853,221 S * 7/2019 Quick D8/358
2019/0240811 A1 * 8/2019 Jacques B24D 15/023

* cited by examiner

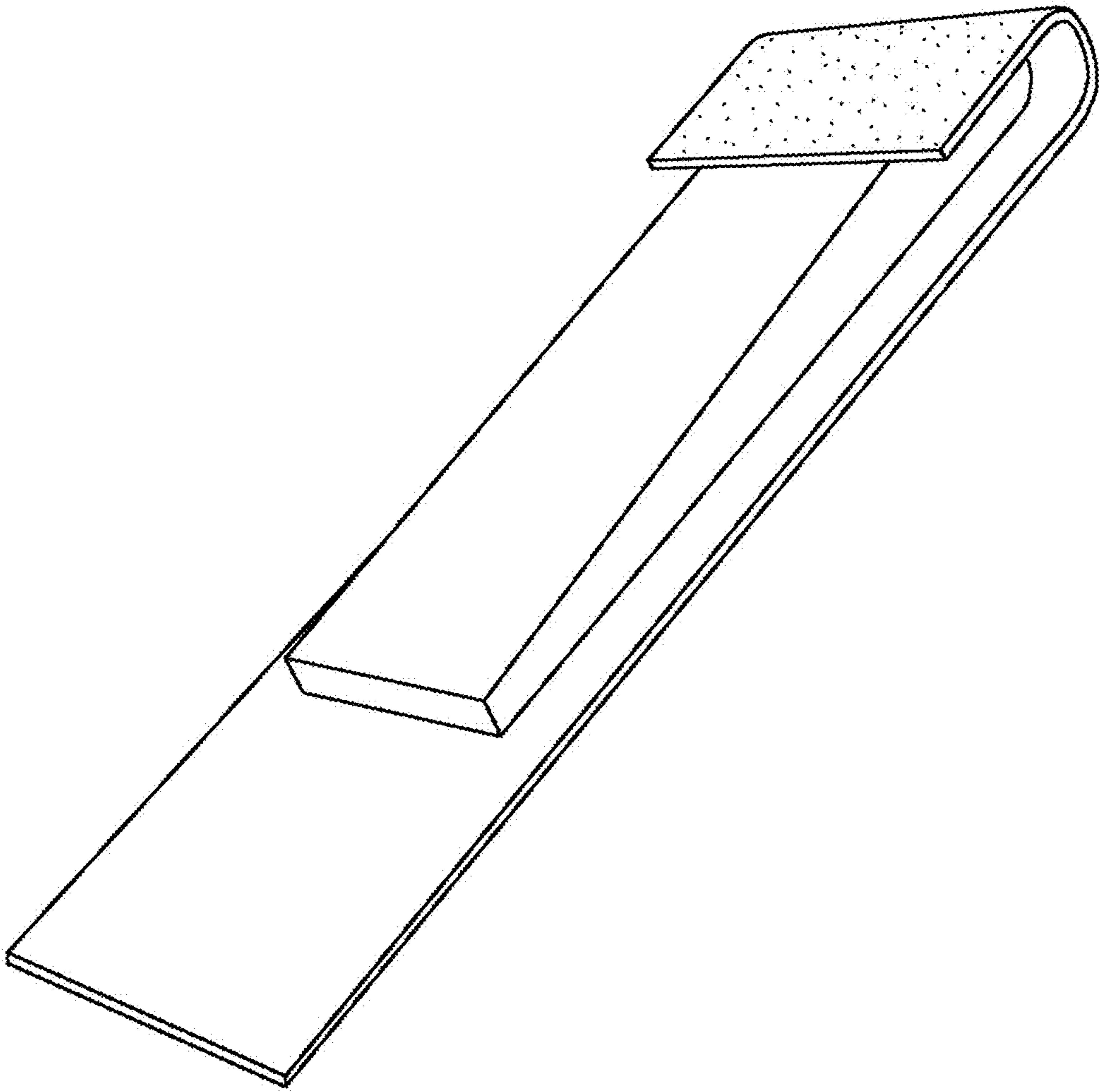


FIG. 1

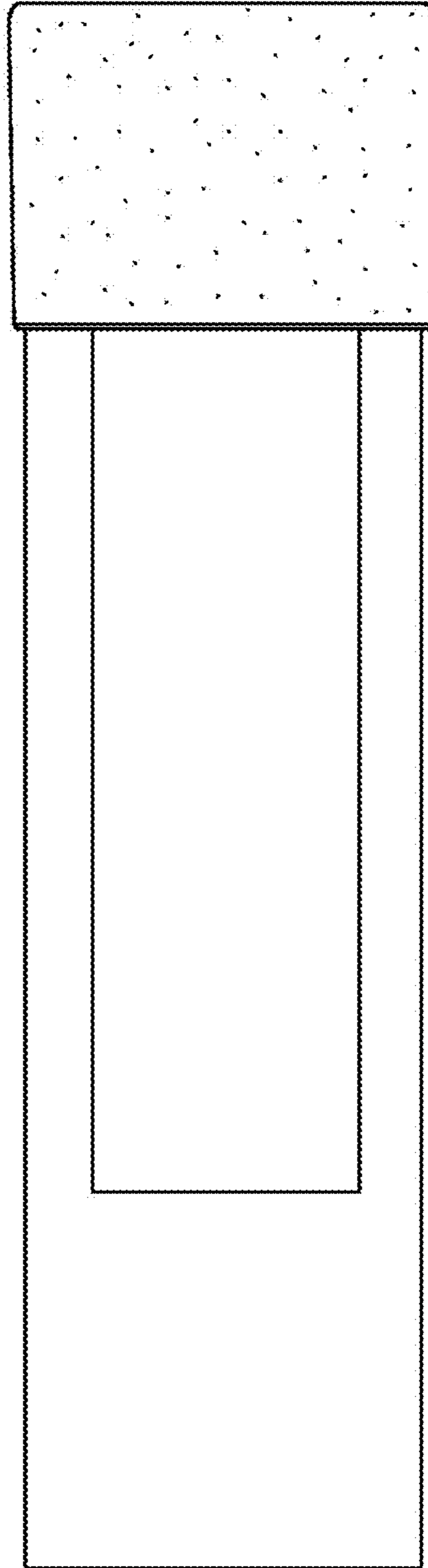


FIG. 2

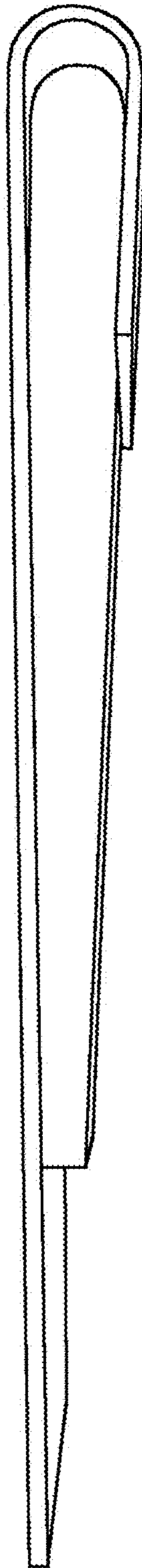


FIG. 3

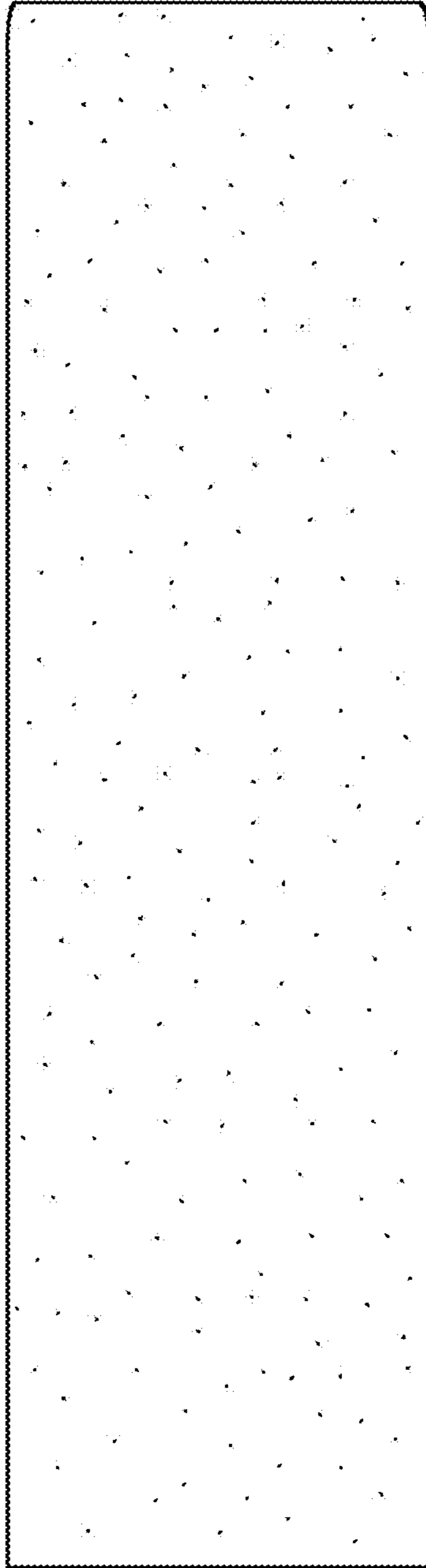


FIG. 4

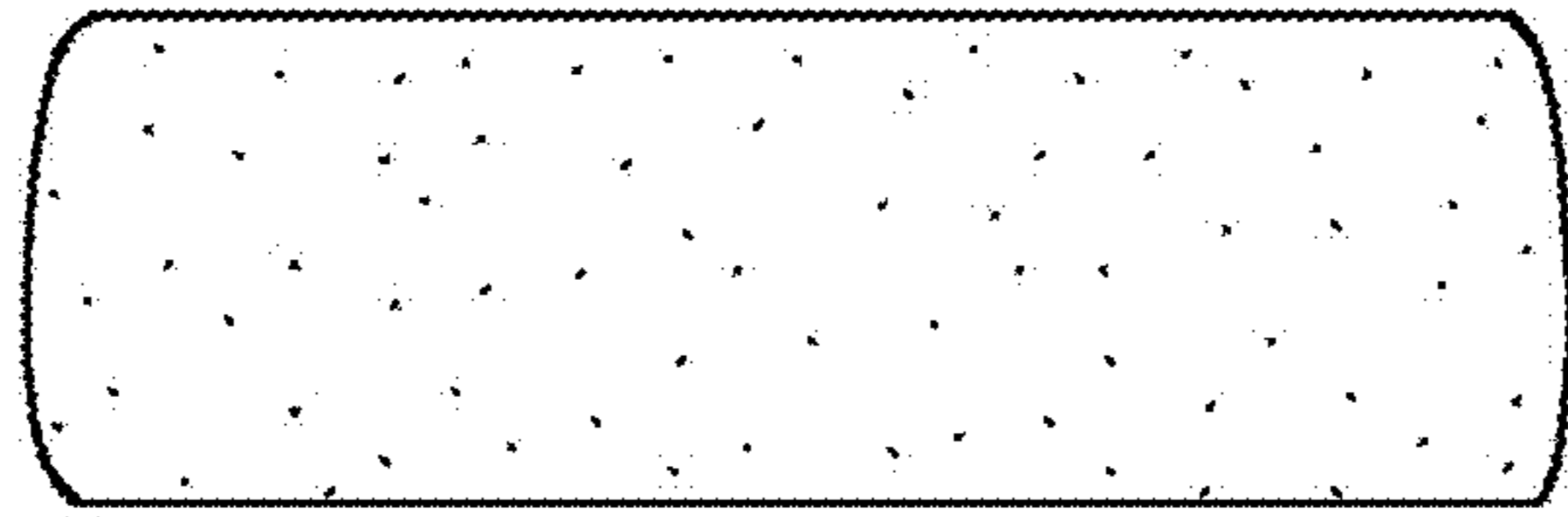


FIG. 5

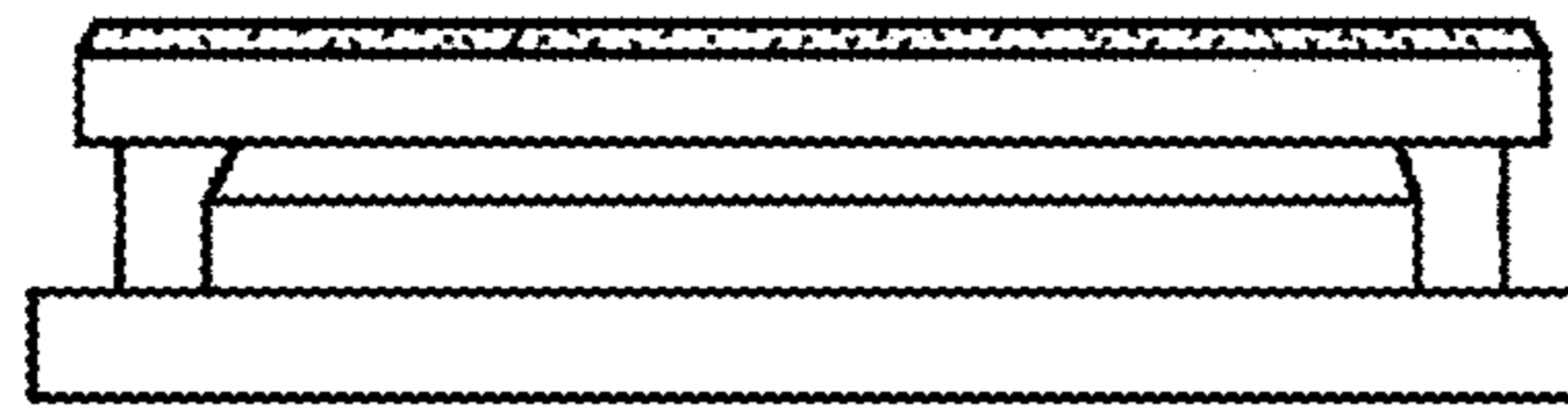


FIG. 6

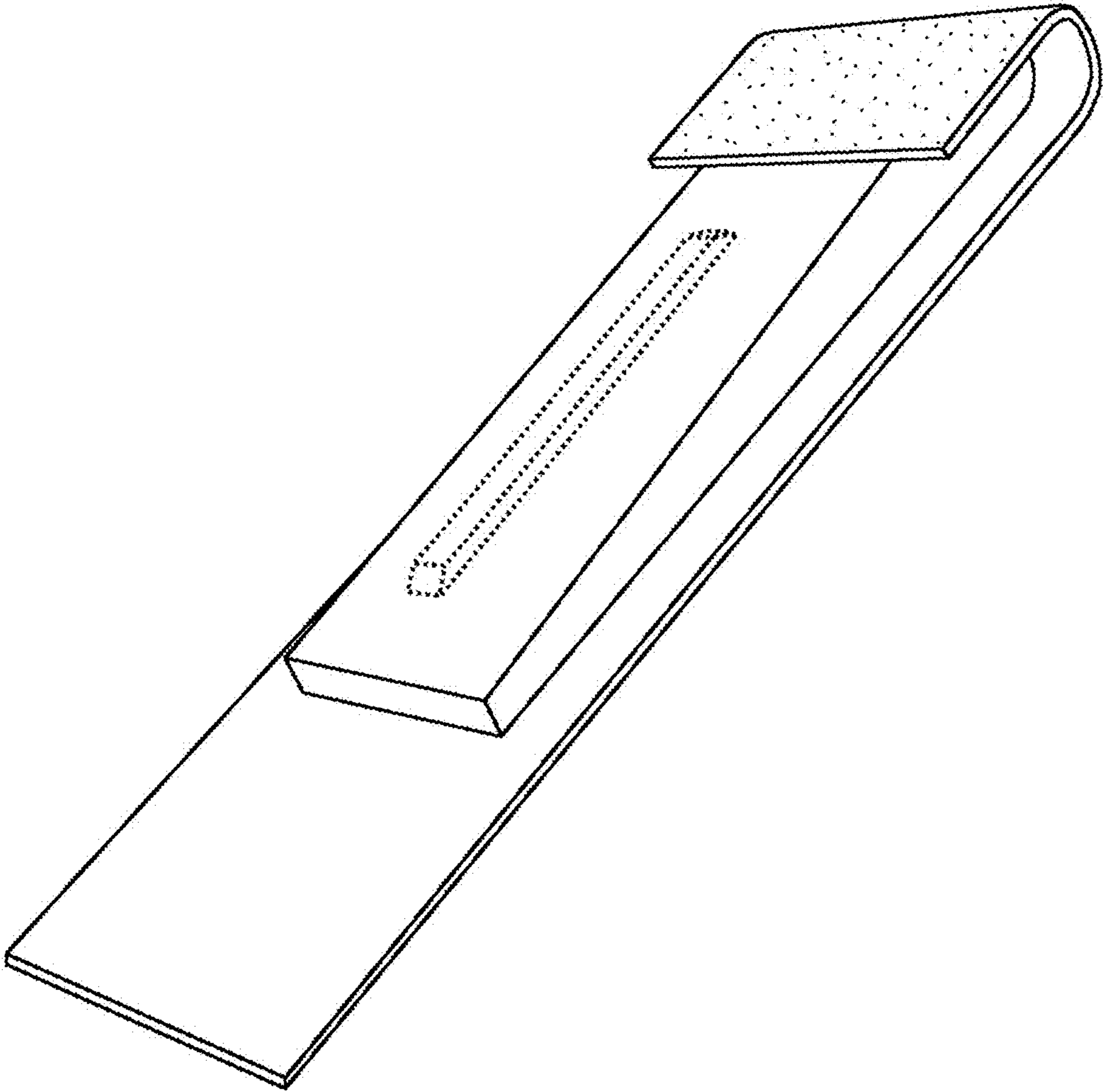


FIG. 7

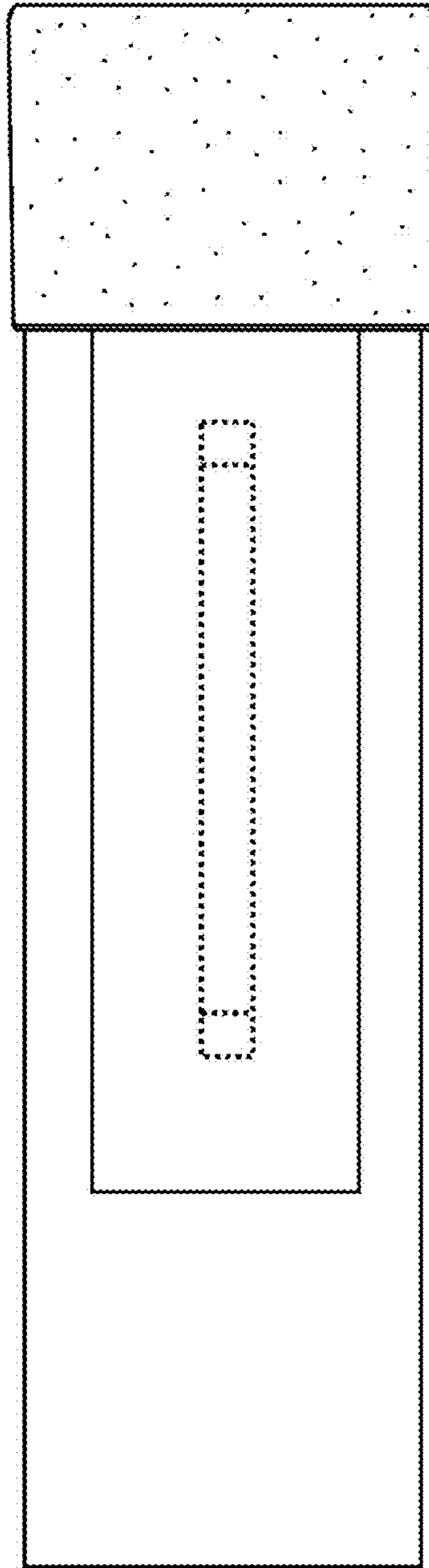


FIG. 8

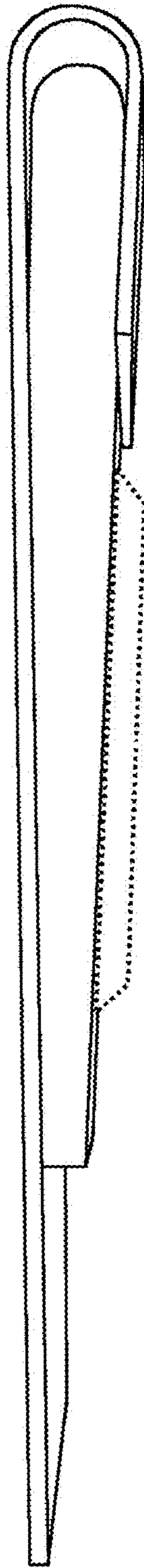


FIG. 9

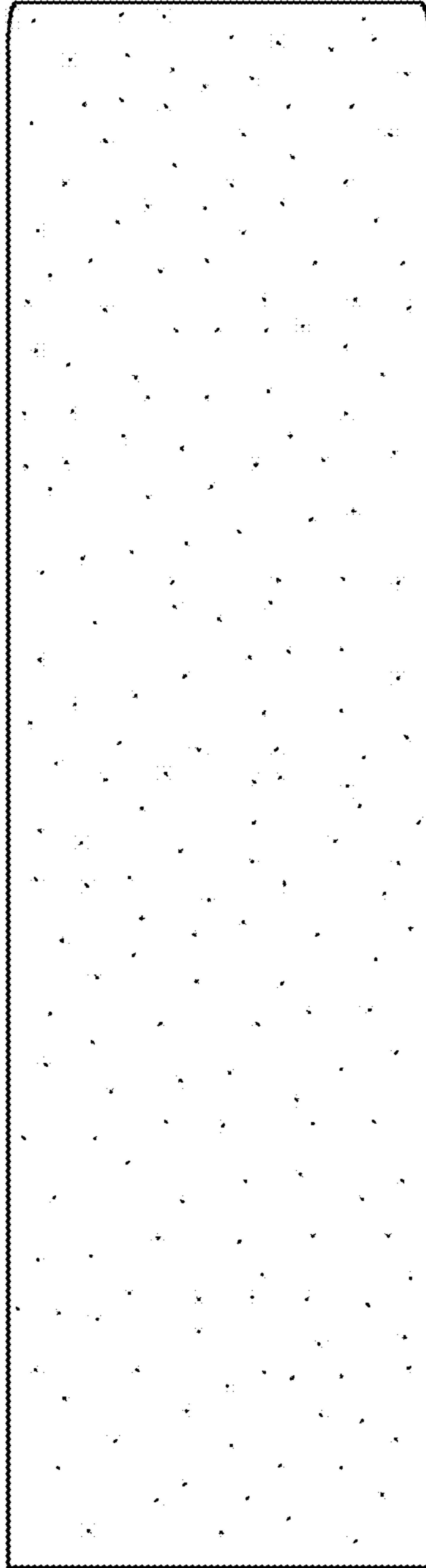


FIG. 10

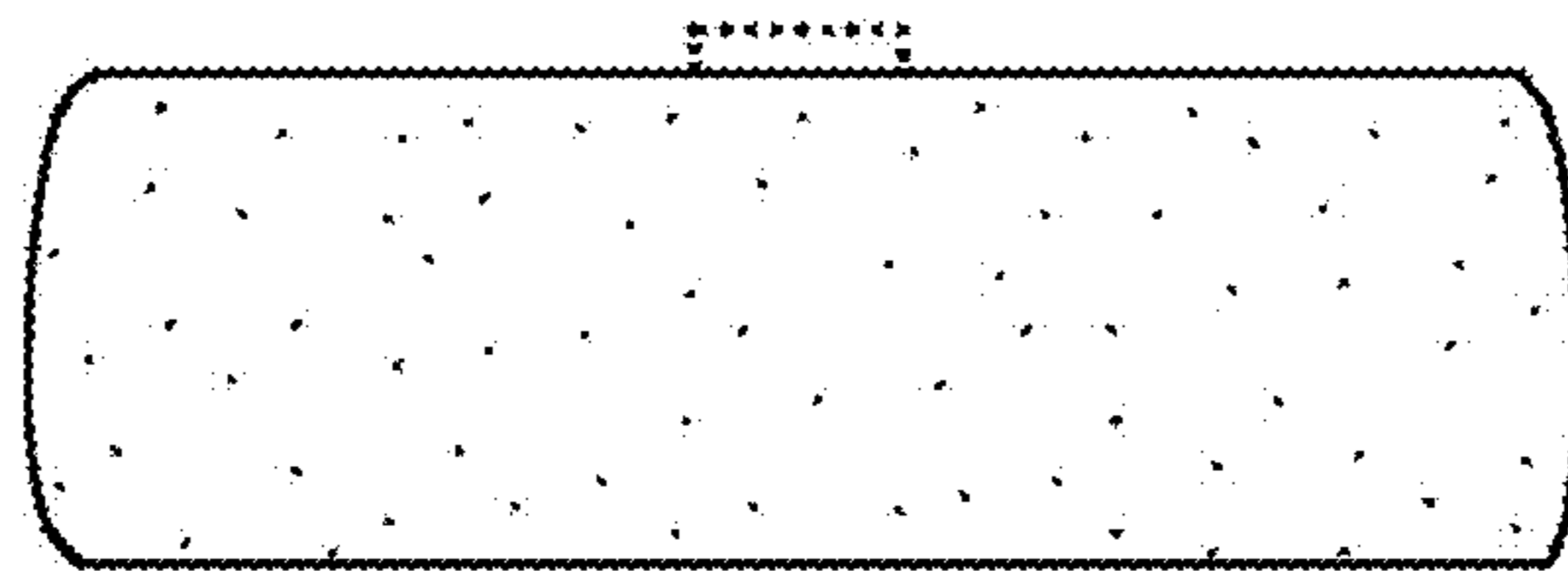


FIG. 11

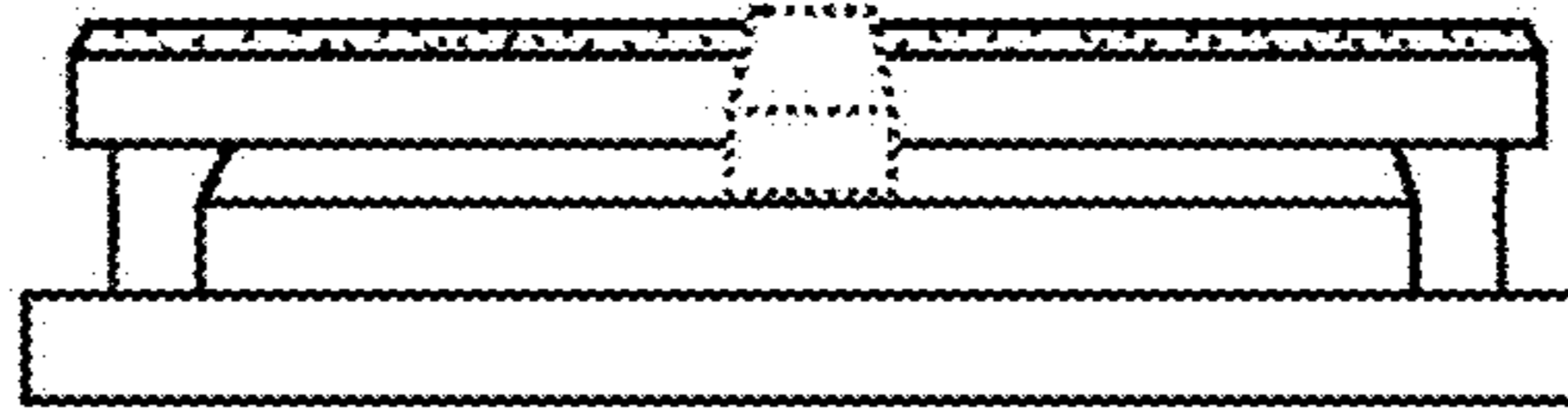


FIG. 12