



US00D926000S

(12) **United States Design Patent**
Ying

(10) **Patent No.:** **US D926,000 S**

(45) **Date of Patent:** **** Jul. 27, 2021**

(54) **DOOR OPENER WITH LIGHT**

(71) Applicant: **NINGBO GECEN PROMOTION & GIFT CO., LTD**, Zhejiang (CN)

(72) Inventor: **Weijin Ying**, Ningbo (CN)

(73) Assignee: **NINGBO GECEN PROMOTION & GIFT CO., LTD**

(**) Term: **15 Years**

(21) Appl. No.: **29/736,086**

(22) Filed: **May 27, 2020**

(51) **LOC (13) Cl.** **08-05**

(52) **U.S. Cl.**
USPC **D8/14**

(58) **Field of Classification Search**
USPC D8/14, 17, 19, 105, 107, 300, 356;
D3/210; D24/133; D26/38
CPC . A45F 5/102; A45F 2005/1086; B65D 83/04;
F16B 45/00; A44B 15/00
See application file for complete search history.

(56) **References Cited**

U.S. PATENT DOCUMENTS

D444,685 S * 7/2001 Shenkel D3/208
6,447,033 B1 * 9/2002 Konczak B65G 7/12
294/15
7,178,845 B1 * 2/2007 Metzger E05B 1/0053
294/169

D646,556 S * 10/2011 Kelleghan D8/356
D694,613 S * 12/2013 Miles D8/367
D737,640 S * 9/2015 Manwaring D8/17
D758,824 S * 6/2016 Kelleghan D8/105
D765,493 S * 9/2016 Spater D8/356
D773,911 S * 12/2016 Louis D8/34
D778,132 S * 2/2017 Fischer D8/17
D792,922 S * 7/2017 Benson D17/22
D802,399 S * 11/2017 Ward D8/367
10,036,415 B2 * 7/2018 Yitzhaki A44B 15/00
D885,871 S * 6/2020 Adelman D8/356
D893,986 S * 8/2020 Adelman D8/367
10,882,178 B1 * 1/2021 Chang E05B 1/0053

* cited by examiner

Primary Examiner — Philip S Hyder

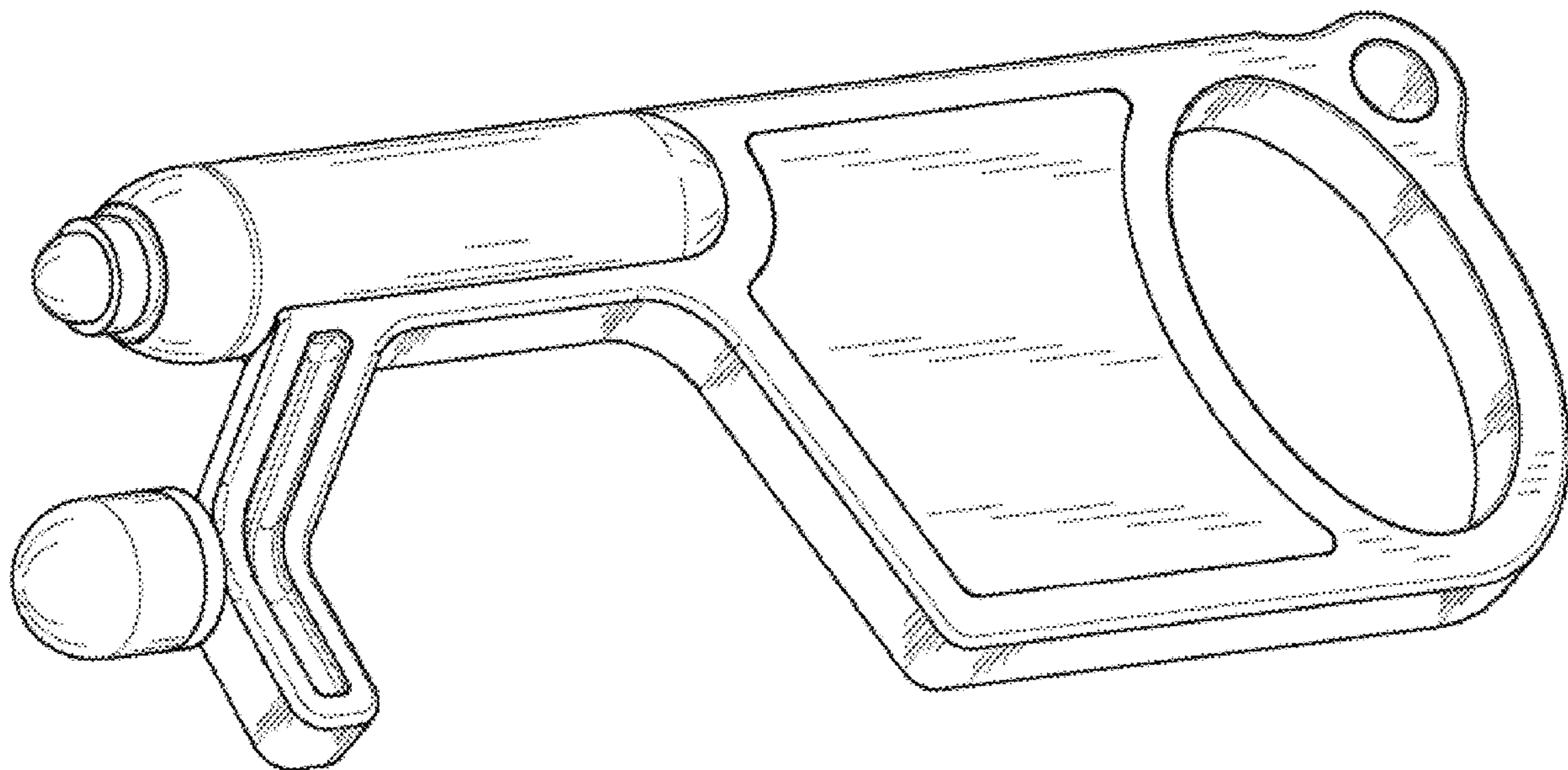
(57) **CLAIM**

The ornamental design for a door opener with light, as shown and described.

DESCRIPTION

FIG. 1 is a front view thereof;
FIG. 2 is a back view thereof;
FIG. 3 is a left side view thereof;
FIG. 4 is a right side view thereof;
FIG. 5 is a top view thereof;
FIG. 6 is a bottom view thereof; and,
FIG. 7 is a perspective view of the door opener with light showing my new design.

1 Claim, 7 Drawing Sheets



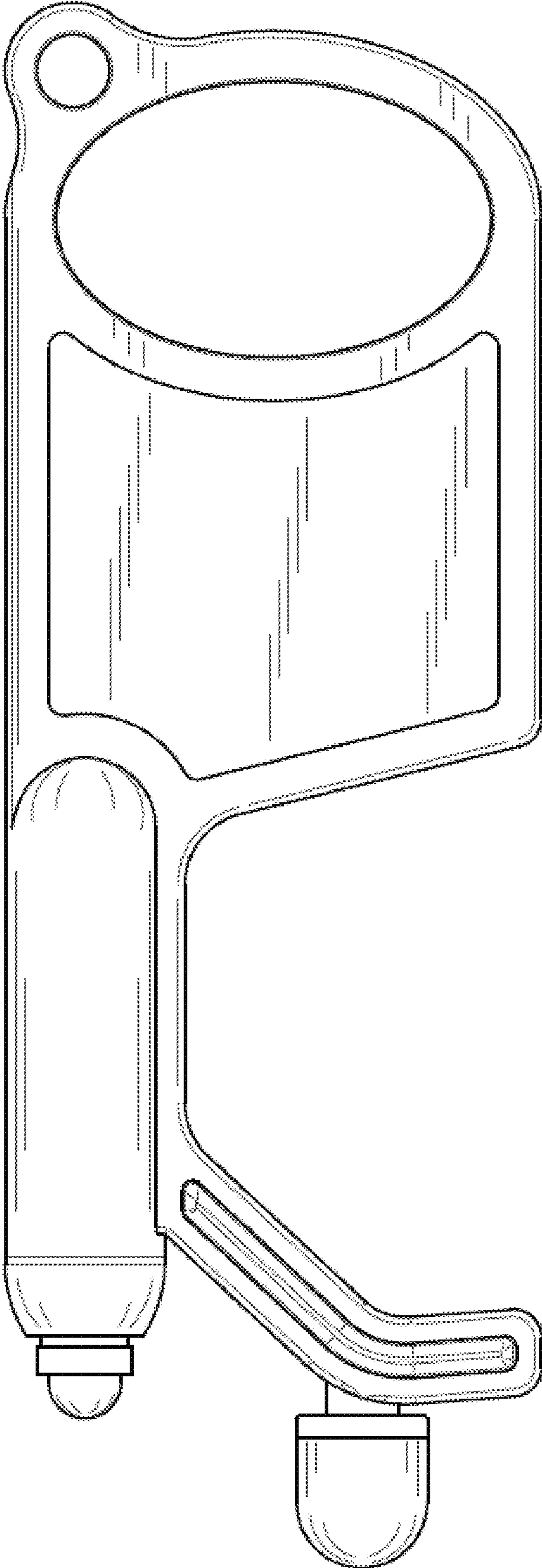


FIG.1

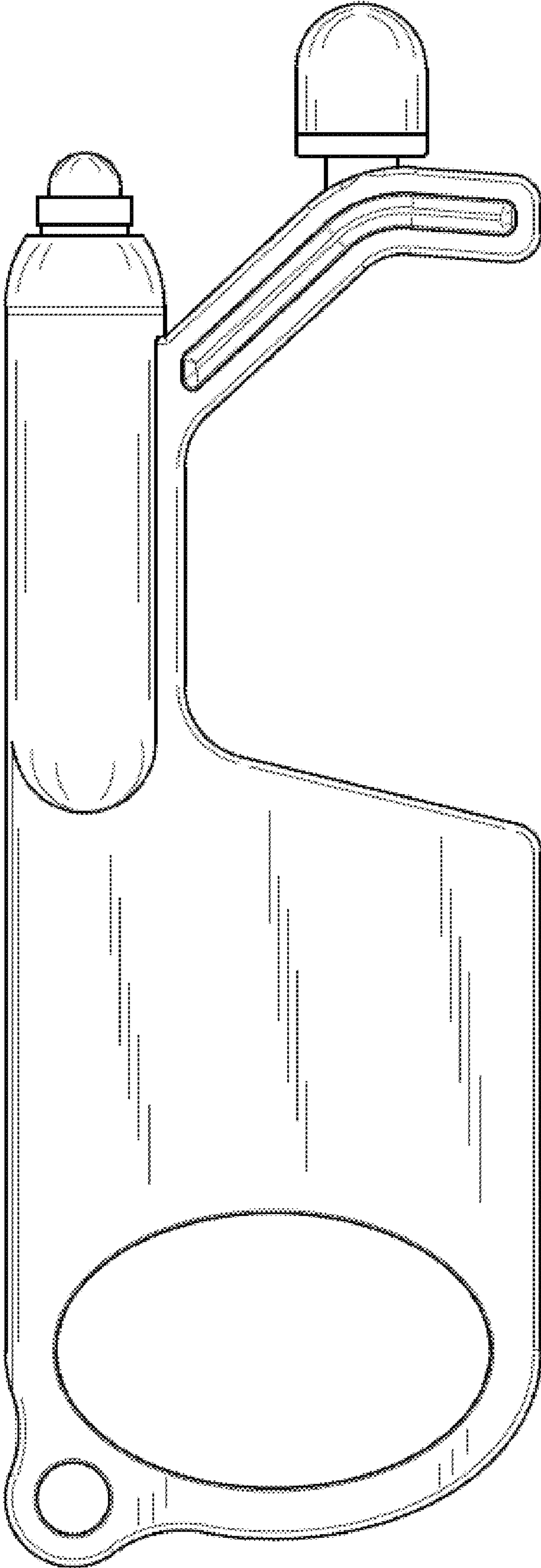


FIG.2

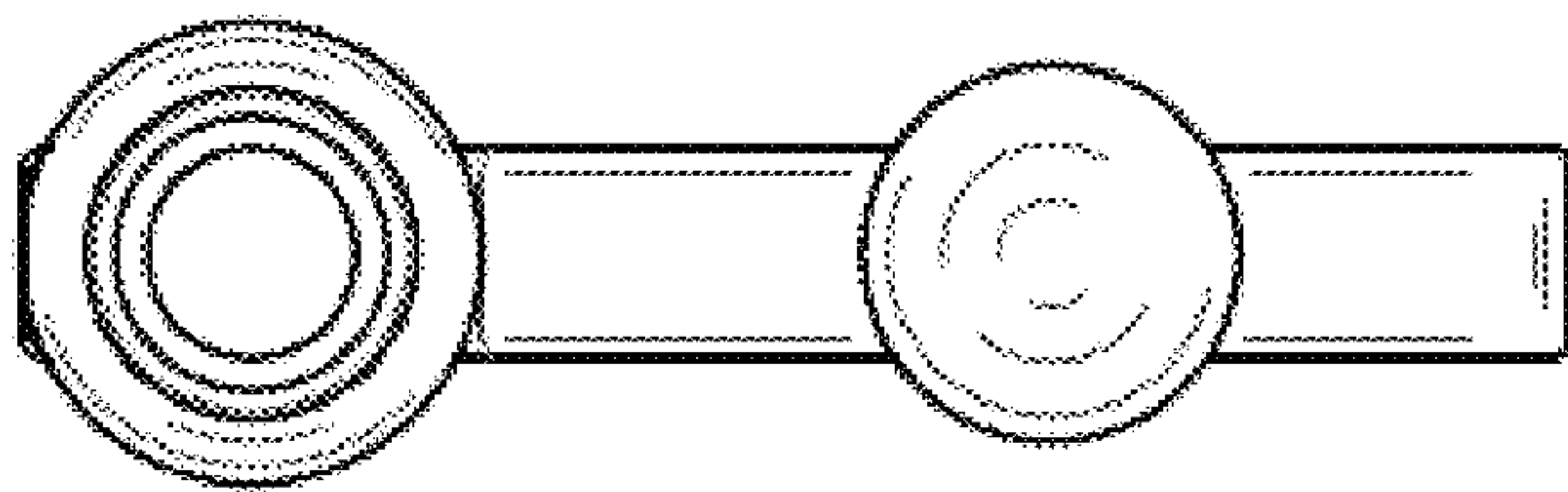


FIG.3

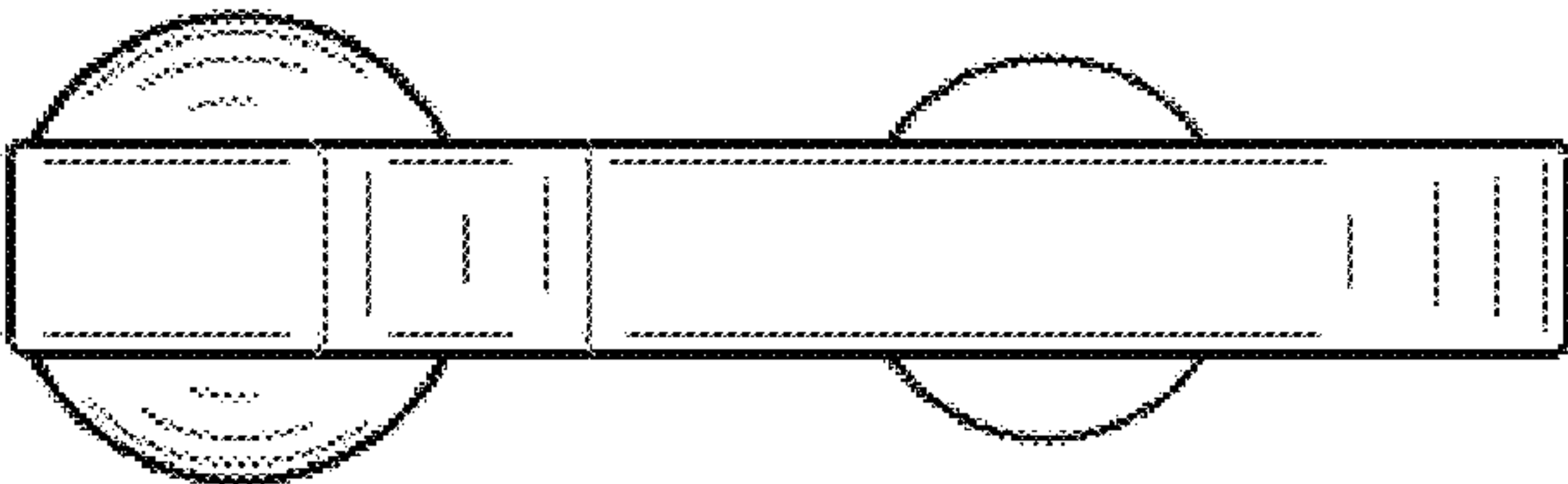


FIG.4

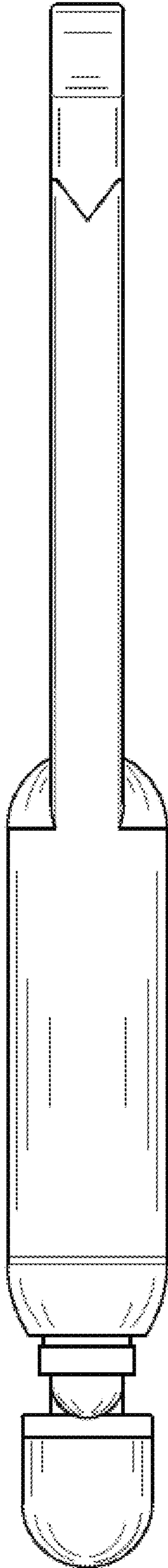


FIG. 5

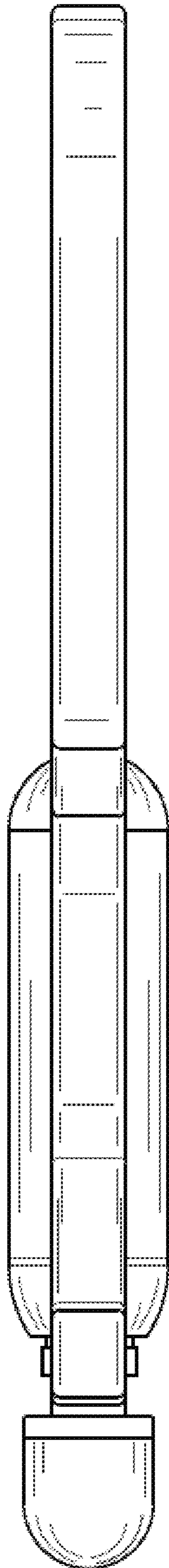


FIG.6

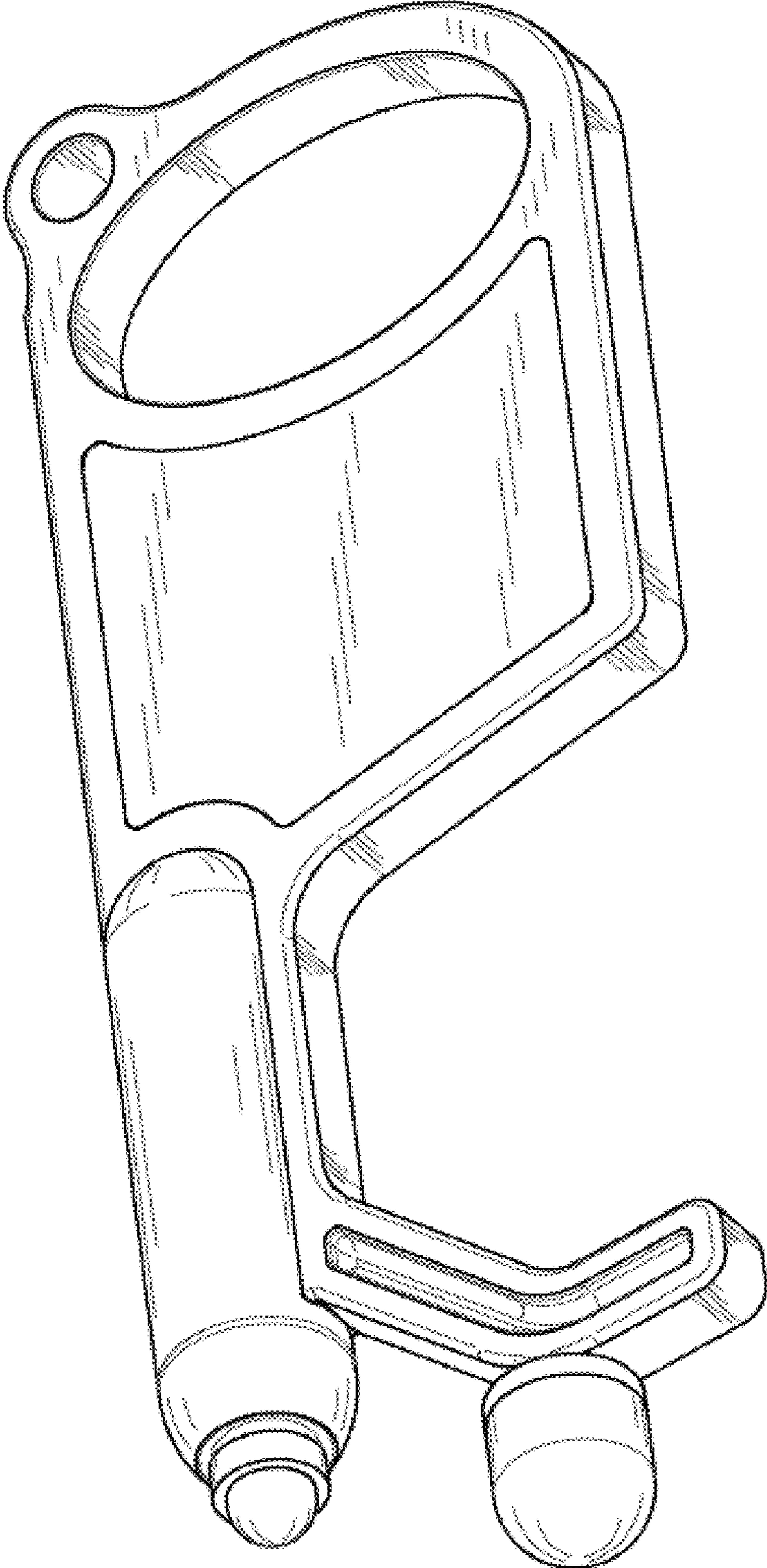


FIG.7