

US00D925999S

(12) **United States Design Patent** (10) **Patent No.:** **US D925,999 S**
Takla (45) **Date of Patent:** **** Jul. 27, 2021**

(54) **LEAF SHREDDER ATTACHMENT**

(71) Applicant: **Refaat Emil Ghabranious Takla**,
Germantown, MD (US)

(72) Inventor: **Refaat Emil Ghabranious Takla**,
Germantown, MD (US)

(**) Term: **15 Years**

(21) Appl. No.: **29/655,450**

(22) Filed: **Jul. 3, 2018**

Related U.S. Application Data

(63) Continuation of application No. 29/639,381, filed on Mar. 6, 2018, now Pat. No. Des. 845,726, which is a continuation of application No. 29/600,267, filed on Apr. 11, 2017, now Pat. No. Des. 816,441.

(51) **LOC (13) Cl.** **08-03**

(52) **U.S. Cl.**
USPC **D8/8**

(58) **Field of Classification Search**

USPC D15/17, 10, 11, 16; D8/7, 8, 9
CPC A01D 75/206; A01D 34/04167; A01D 34/90; A01D 34/416; A01D 34/4166; A01D 34/4167; A01D 34/84; A01D 34/412; A01D 34/4168; A01D 34/73; A01D 42/005; A01G 3/002

See application file for complete search history.

(56) **References Cited**

U.S. PATENT DOCUMENTS

2,809,488 A 10/1957 Sewell
D217,689 S 5/1970 Donelson, Jr.
3,526,261 A 9/1970 Ivey, Jr.
4,081,947 A 4/1978 Szymanis
4,107,841 A 8/1978 Rebhun
4,126,990 A 11/1978 Fisher et al.
4,263,771 A 4/1981 Iaboni et al.
4,268,964 A 5/1981 Moore
4,329,834 A 5/1982 Hetrick

4,513,563 A 4/1985 Roser et al.
D280,903 S 10/1985 Barbula
4,651,422 A 3/1987 Everts
D299,349 S 1/1989 Cunning
D299,484 S 1/1989 Lee
4,819,416 A 4/1989 Jones

(Continued)

OTHER PUBLICATIONS

Any copies of information that are not included with this Information Disclosure Statement can be found in U.S. Appl. No. 29/639,381.

Primary Examiner — Mark A Goodwin

(74) *Attorney, Agent, or Firm* — Miles & Stockbridge P.C.

(57) **CLAIM**

The ornamental design for a leaf shredder attachment, as shown and described.

DESCRIPTION

FIG. 1 is a perspective view of a leaf shredder attachment showing the present invention.

FIG. 2 is a first-side view of a leaf shredder attachment showing the present invention.

FIG. 3 is a second-side view of a leaf shredder attachment showing the present invention.

FIG. 4 is a third-side view of a leaf shredder attachment showing the present invention.

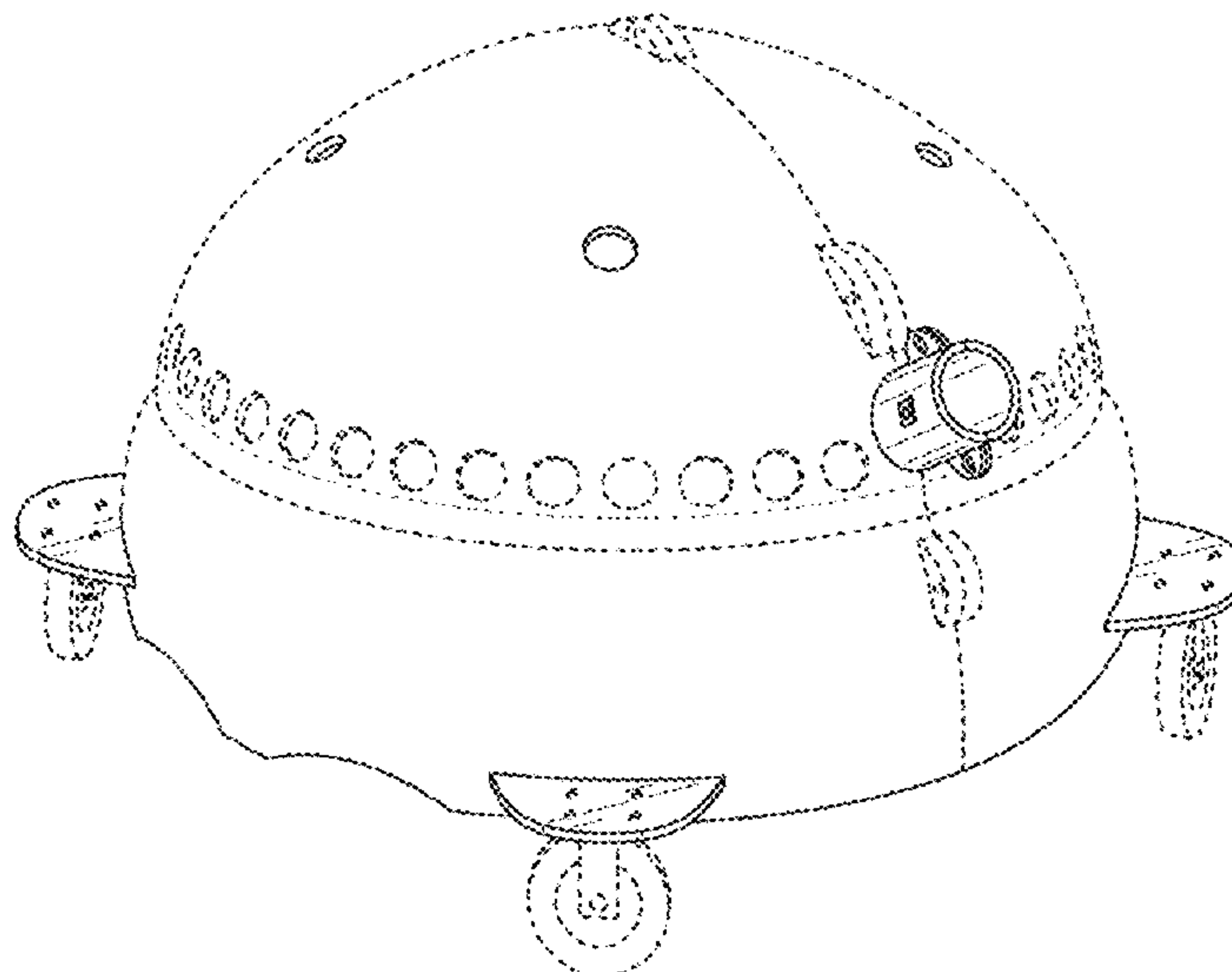
FIG. 5 is a fourth-side view of a leaf shredder attachment showing the present invention.

FIG. 6 is a top plan view of a leaf shredder attachment showing the present invention; and,

FIG. 7 is a bottom plan view of a leaf shredder attachment showing the present invention.

The broken line showing of various surface features on the figures is included for the purpose of illustrating portions of the leaf shredder attachment and forms no part of the claimed design.

1 Claim, 7 Drawing Sheets



(56)

References Cited

U.S. PATENT DOCUMENTS

4,823,464 A	4/1989	Gorski	6,722,114 B1	4/2004	Poole et al.
D301,110 S	5/1989	Barbula	6,757,980 B2	7/2004	Arsenault
D303,067 S	8/1989	Pinson et al.	D496,840 S	10/2004	Iacona
4,905,465 A	3/1990	Jones et al.	6,892,461 B2	5/2005	Peterson
4,928,457 A	5/1990	Laperle	6,912,789 B2	7/2005	Price, III
4,967,546 A	11/1990	Forbush	6,941,738 B1	9/2005	Standish
5,020,309 A	6/1991	Hopkins	D532,263 S	11/2006	Iacona
5,048,278 A	9/1991	Jones et al.	D536,226 S	2/2007	Yates
5,077,898 A	1/1992	Hartwig	7,257,898 B2	8/2007	Iacona
5,115,870 A	5/1992	Byrne	7,284,331 B2	10/2007	Paddock
D347,150 S	5/1994	Falconbridge	D574,679 S	8/2008	Denby
D347,773 S	6/1994	Nash	D584,581 S	1/2009	Bradford
D349,221 S	8/1994	Griffin	7,603,782 B2	10/2009	Jerez
D350,463 S	9/1994	Hardesty, Jr.	7,963,041 B1	6/2011	Smith
5,423,126 A	6/1995	Byrne	8,590,166 B1	11/2013	Albertson et al.
D376,741 S	12/1996	Sadlowski, Sr.	D719,415 S	12/2014	Albertson
D382,779 S	8/1997	Meisner et al.	8,918,999 B2	12/2014	Proulx et al.
D392,164 S	3/1998	Bomgaars, Jr.	D743,220 S	11/2015	Albertson
5,722,172 A	3/1998	Walden	D757,508 S	5/2016	Hermann
5,842,651 A	12/1998	Smothers	D759,444 S	6/2016	Hermann
5,878,556 A	3/1999	Franz	9,433,146 B2	9/2016	Hutchins
5,907,947 A	6/1999	Poole et al.	9,603,301 B2	3/2017	Jerez et al.
D417,597 S	12/1999	Sutliff et al.	9,661,804 B1	5/2017	Albertson
6,052,907 A	4/2000	Wang	9,801,335 B2	10/2017	Skinner
6,370,854 B1	4/2002	Moore	D816,441 S *	5/2018	Takla D8/8
D463,230 S	9/2002	Robson	D845,726 S *	4/2019	Takla D8/8
6,539,694 B2	4/2003	Oxley	2004/0020060 A1	2/2004	Peterson
6,601,373 B1	8/2003	Legrand	2004/0148783 A1	8/2004	Cashman et al.
6,665,941 B1	12/2003	Teeple	2007/0028458 A1	2/2007	Guerra
6,665,942 B2	12/2003	Richardson et al.	2011/0179757 A1	7/2011	Scott-Stanbridge et al.
			2012/0066915 A1	3/2012	Alliss
			2012/0246945 A1	10/2012	Harless et al.
			2017/0135282 A1	5/2017	Takla

* cited by examiner

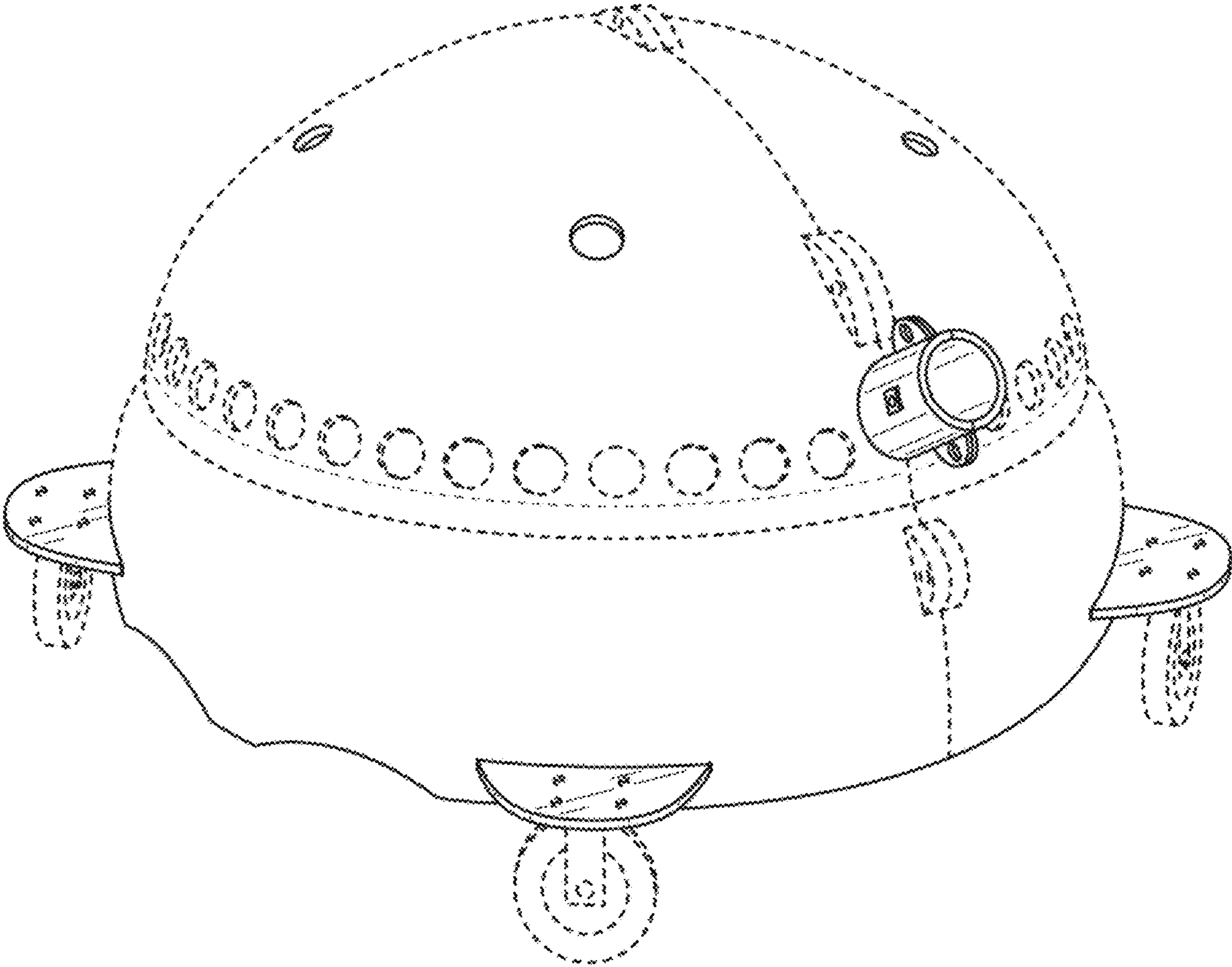


FIG. 1

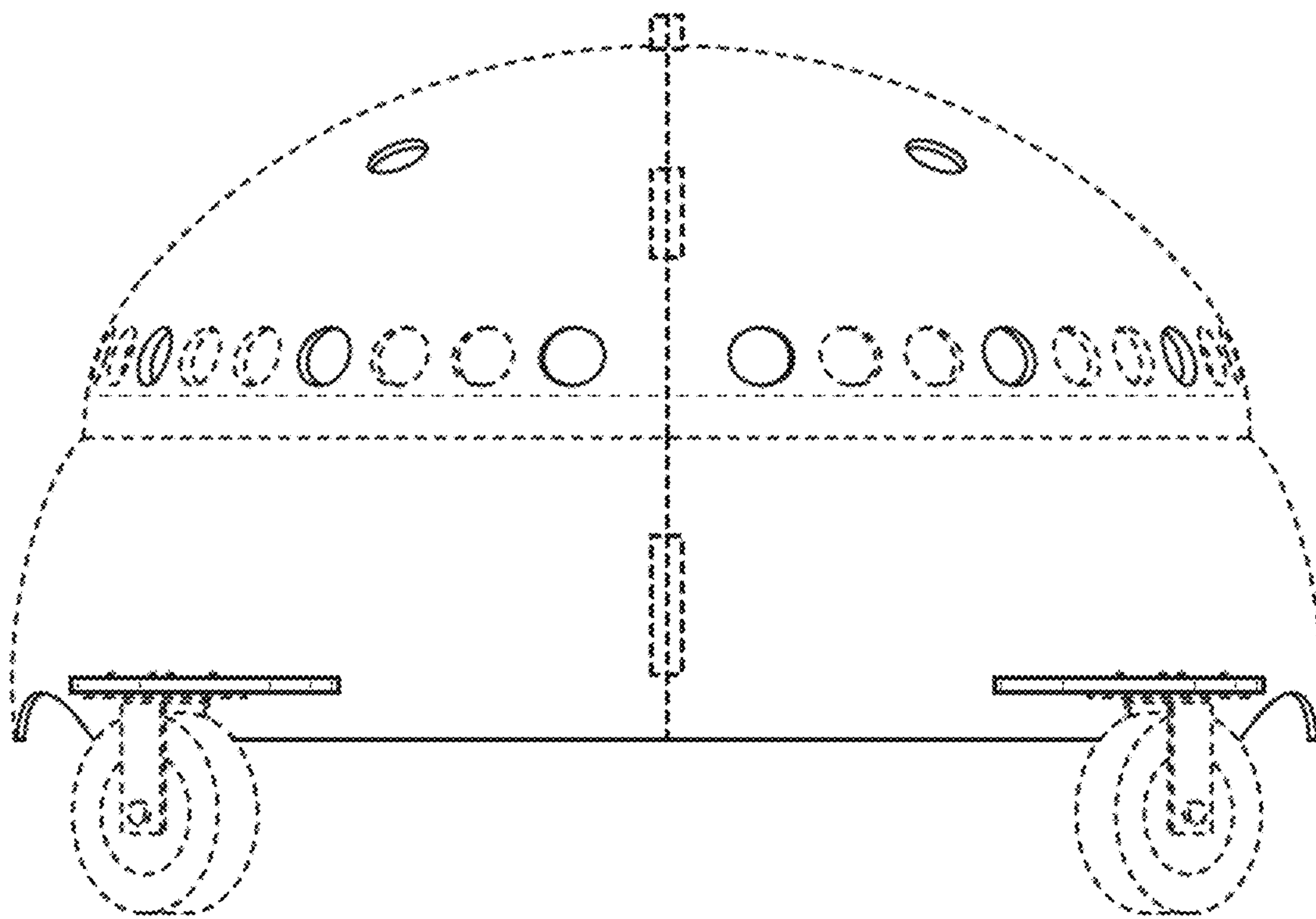


FIG. 2

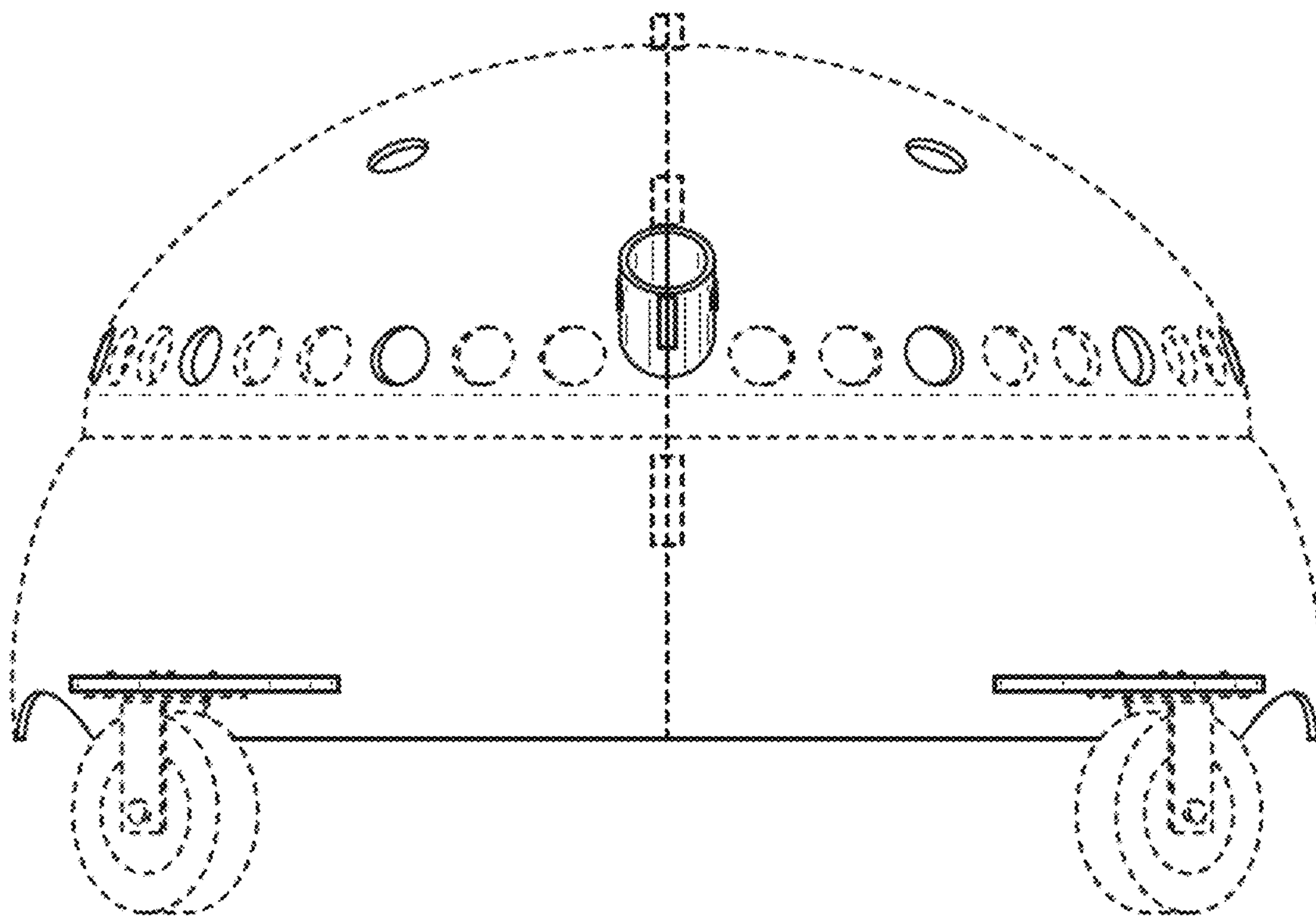


FIG. 3

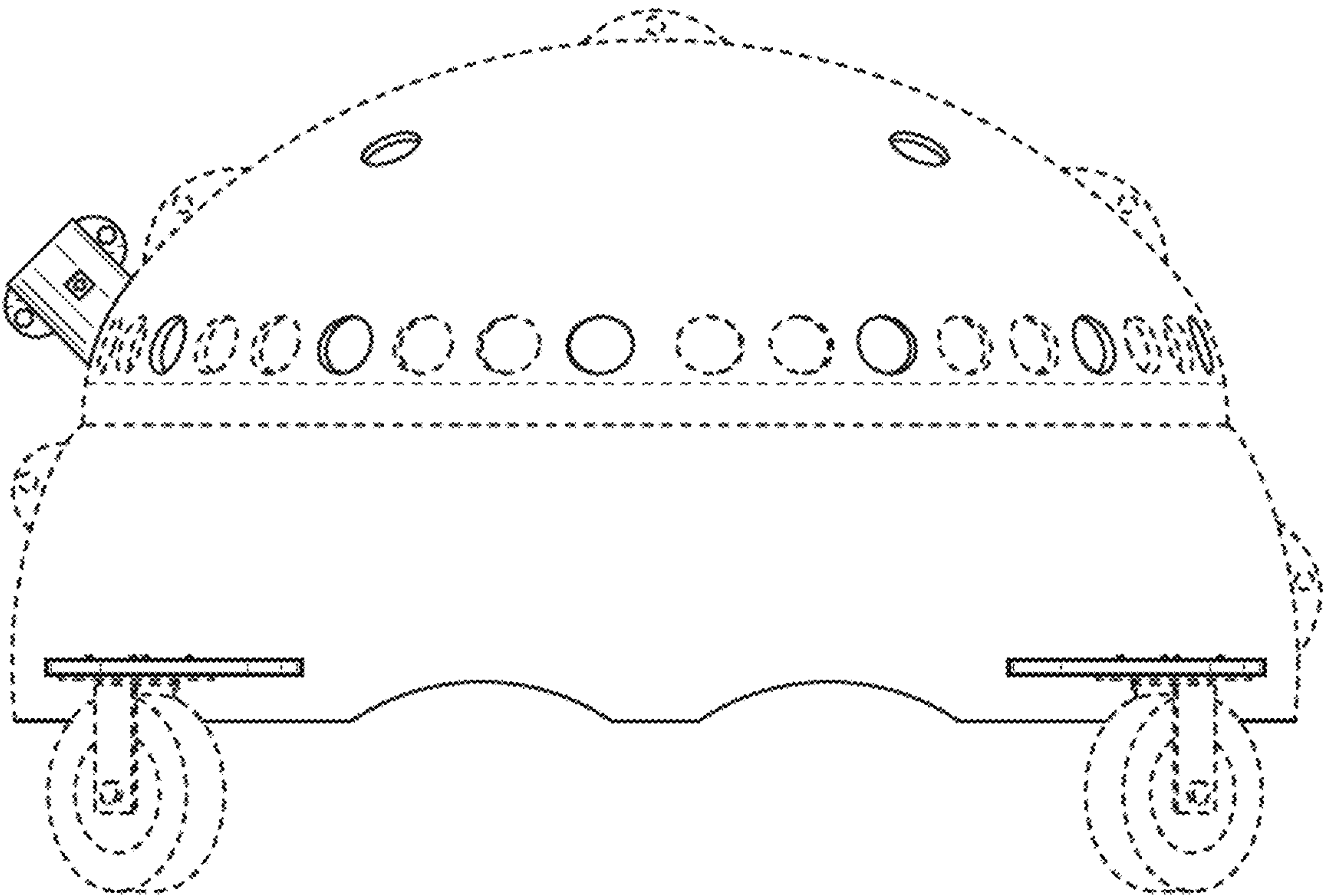


FIG. 4

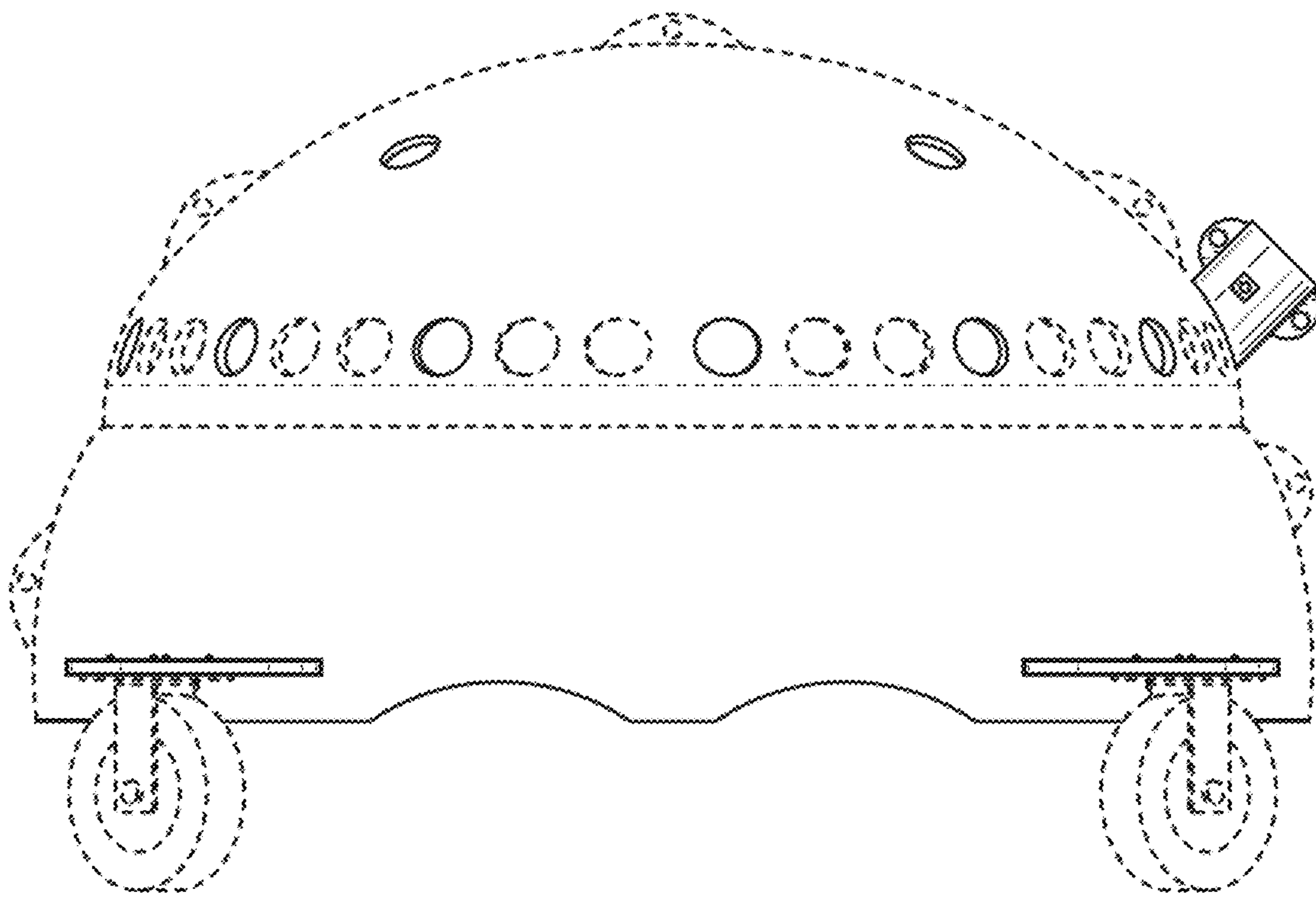


FIG. 5

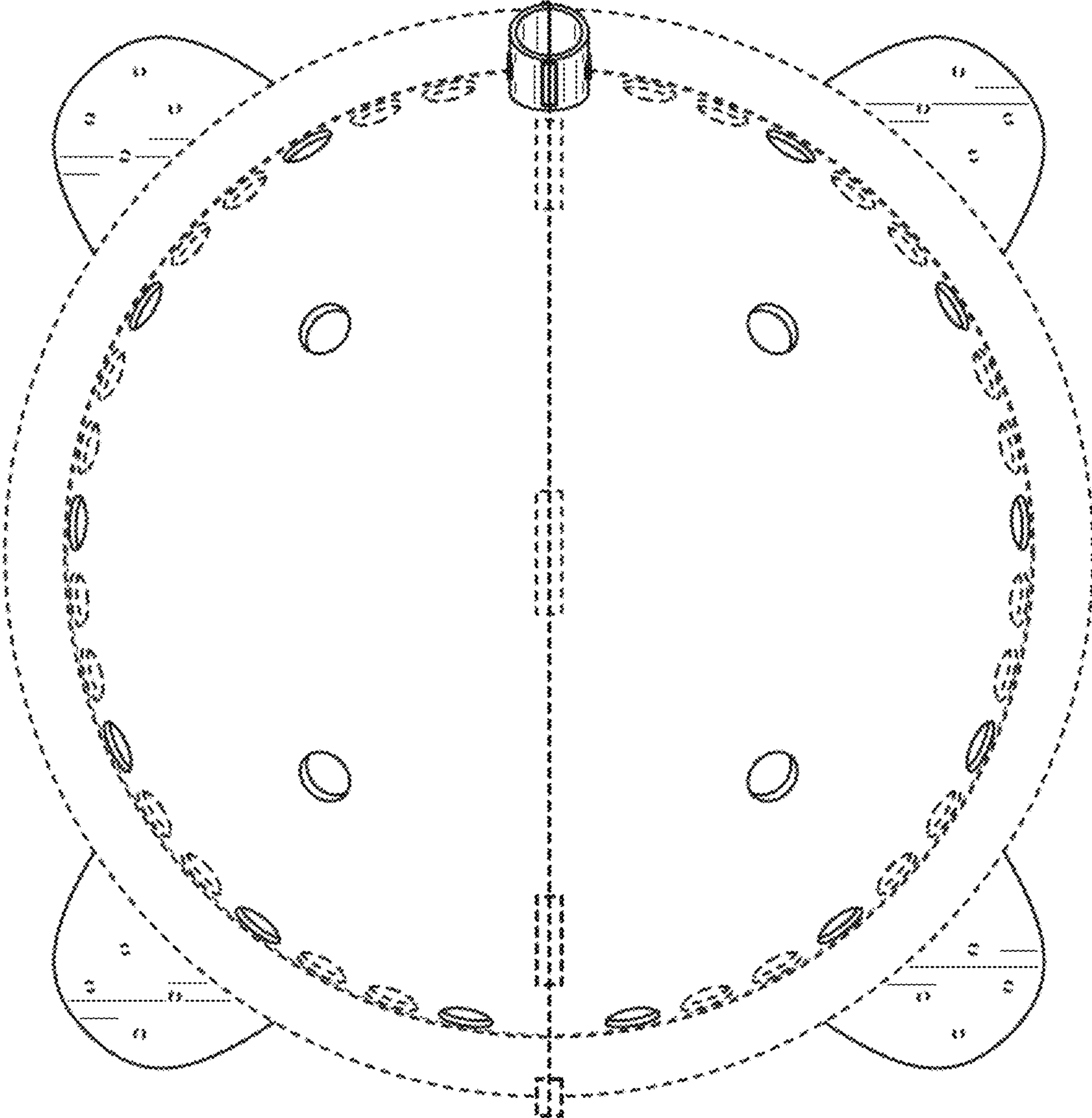


FIG. 6

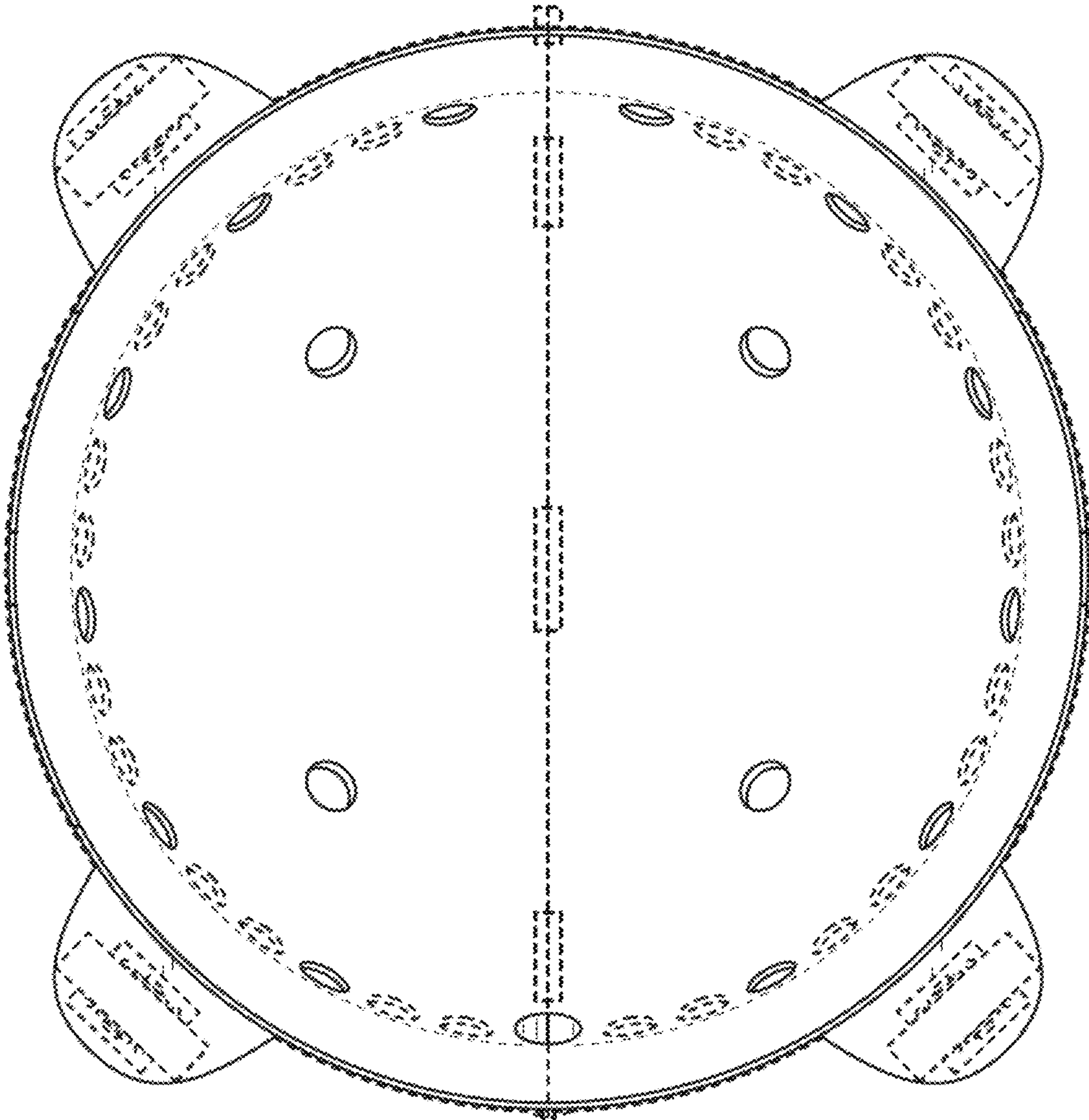


FIG. 7