



US00D925996S

(12) **United States Design Patent**
Pontano et al.

(10) **Patent No.:** **US D925,996 S**
(45) **Date of Patent:** **** Jul. 27, 2021**

(54) **COMBINED SPOON/KNIFE AND SPORK
UTENSIL ASSEMBLY**

75/566; B67B 7/00; B67B 7/724; B67B
7/73

See application file for complete search history.

(71) Applicant: **Industrial Revolution, Inc.**, Tukwila,
WA (US)

(56) **References Cited**

(72) Inventors: **Peter Pontano**, Seattle, WA (US);
Colin Quinn, Seattle, WA (US);
Treasure Hinds, Seattle, WA (US);
Greg Janky, Seattle, WA (US)

U.S. PATENT DOCUMENTS

2,318,129 A * 5/1943 Torode A47G 21/06
30/147
D342,422 S * 12/1993 Sanford D7/643
5,845,403 A 12/1998 Navin
D414,988 S * 10/1999 Santini 30/150
D530,985 S * 10/2006 Evans D7/644
D608,602 S * 1/2010 Davies D7/644
D609,060 S * 2/2010 Pallotto D7/643

(73) Assignee: **Industrial Revolution, Inc.**, Tukwila,
WA (US)

(Continued)

(**) Term: **15 Years**

OTHER PUBLICATIONS

(21) Appl. No.: **29/695,049**

Screenshot from Industrial Revolution website, www.industriarev.
com, via Archive.org, dated Mar. 25, 2017.

(22) Filed: **Jun. 14, 2019**

(Continued)

(51) **LOC (13) Cl.** **07-03**

Primary Examiner — Ricky Pham

(52) **U.S. Cl.**

(74) *Attorney, Agent, or Firm* — Seed IP Law Group LLP

USPC **D7/643**; D7/401.2; D7/642; D7/644;
D7/653

(57) **CLAIM**

The ornamental design for a combined spoon/knife and
spork utensil assembly, as shown and described.

(58) **Field of Classification Search**

USPC D7/395, 368, 401.2, 642–647, 653–664,
D7/669, 675–677, 682–683, 688–689,
D7/691–692; D8/107, 300–301;
D22/117–118

DESCRIPTION

CPC ... A01D 9/02; A01D 9/04; A01D 9/06; A47G
21/00; A47G 21/004; A47G 21/005;
A47G 21/02; A47G 21/023; A47G 21/04;
A47G 21/06; A47G 21/08; A47J 43/28;
A47J 43/281; A47J 43/282; A47J 43/288;
A61F 13/10; A61J 7/0023; B25G 1/00;
B25G 1/01; B25G 1/02; B25G 3/00;
B65D 75/56; B65D 75/563; B65D

FIG. 1 is a top perspective view of a combined spoon/knife
and spork utensil assembly showing the claimed design.
FIG. 2 is a front side view thereof.
FIG. 3 is a back side view thereof.
FIG. 4 is a right side view thereof.
FIG. 5 is a left side view thereof.
FIG. 6 is a top plan view thereof.
FIG. 7 is a bottom plan view thereof.
FIG. 8 is a bottom perspective view thereof.
FIG. 9 is a top exploded view thereof; and,
FIG. 10 is a bottom exploded view thereof.

(Continued)

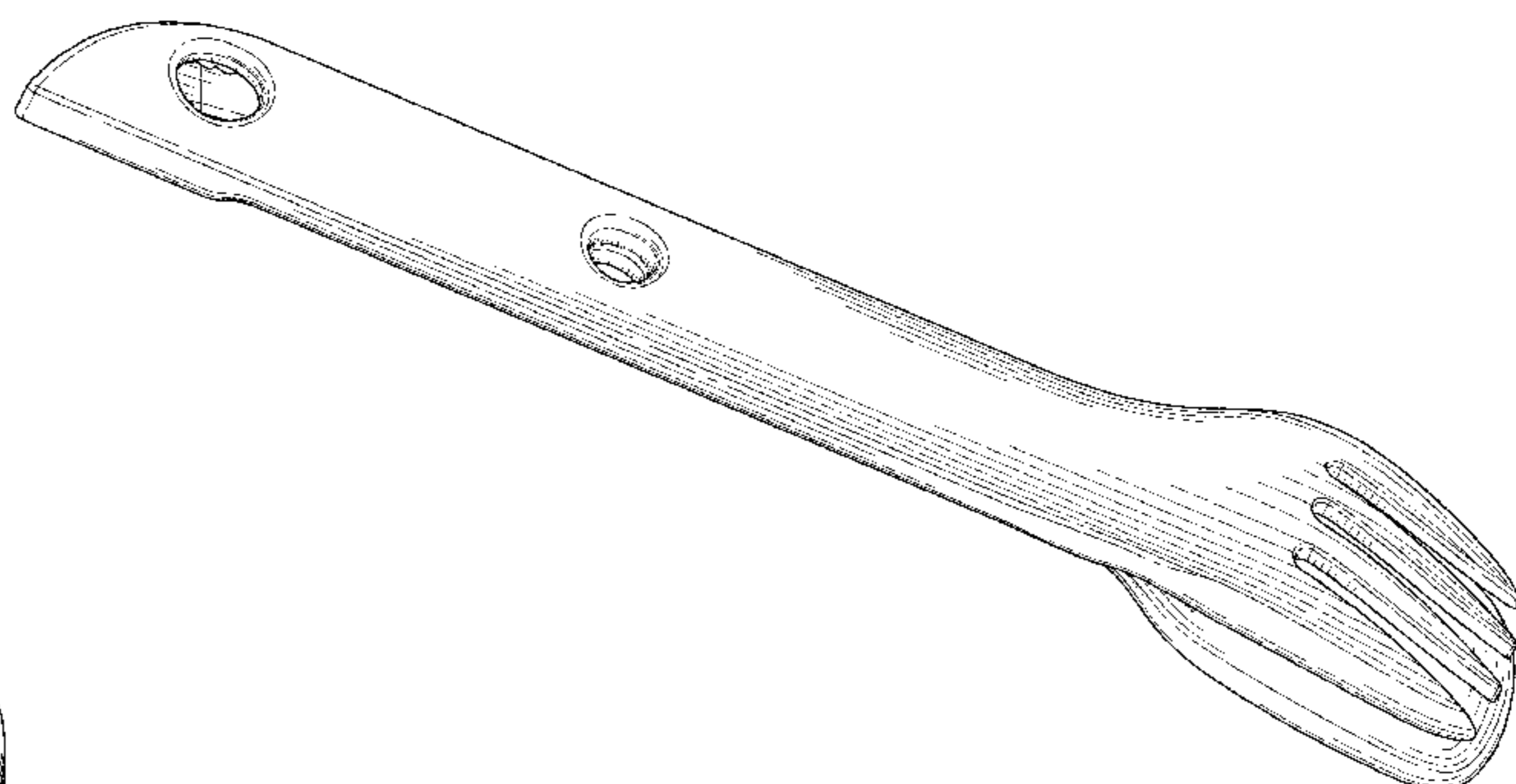
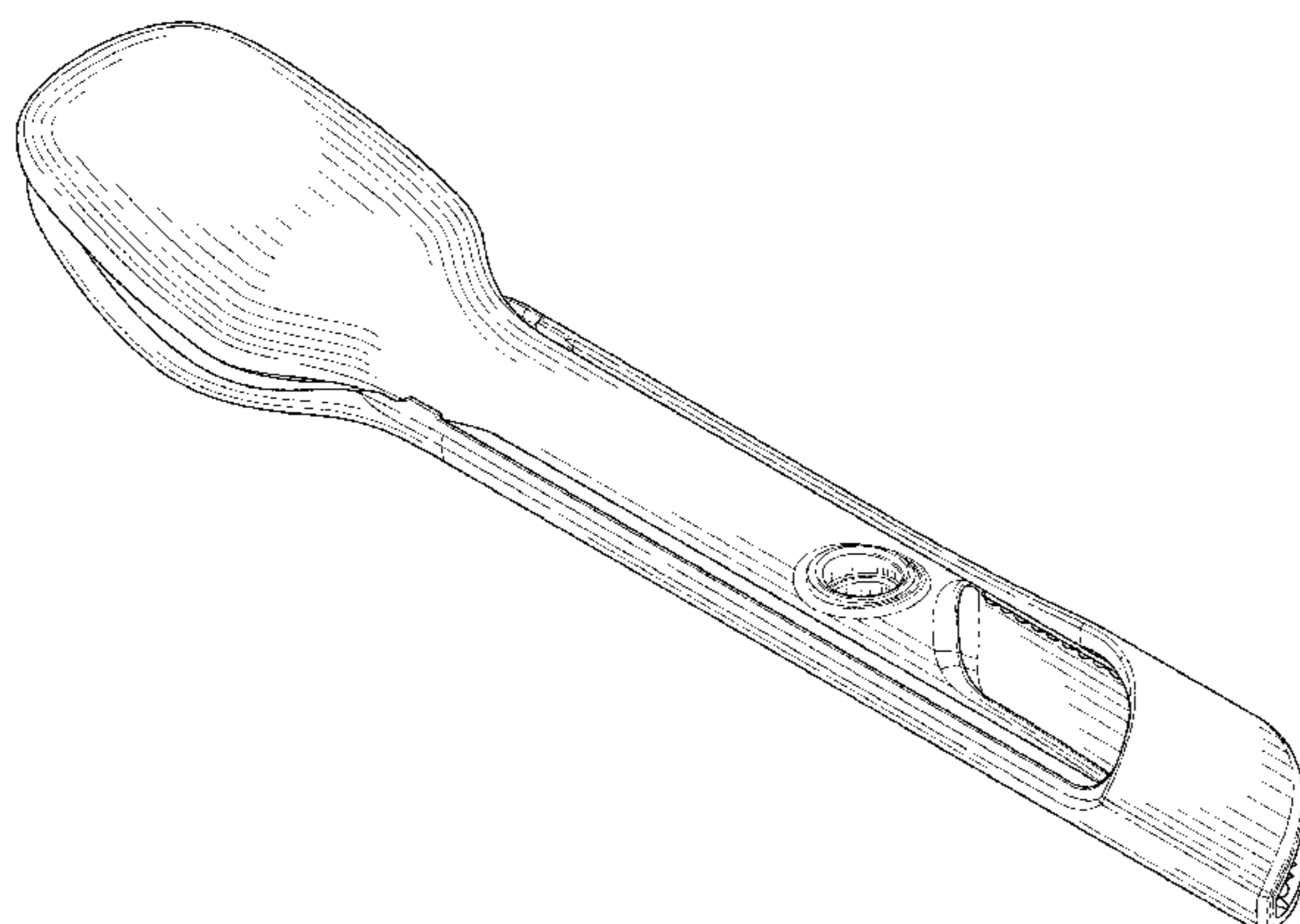


FIG. 9 and FIG. 10 are provided for context only and are not claimed. As such, FIG. 9 and FIG. 10 are depicted entirely in broken lines and form no part of the claimed design.

1 Claim, 7 Drawing Sheets

(56)

References Cited

U.S. PATENT DOCUMENTS

D718,093 S * 11/2014 Miksovsky D7/644
D722,837 S * 2/2015 Miksovsky et al.
D740,079 S * 10/2015 Miksovsky D7/653
D752,918 S * 4/2016 Katopis D7/401.2
D753,447 S * 4/2016 Busboom
D807,127 S * 1/2018 Levi D7/644
D862,996 S * 10/2019 Miksovsky D7/643
D862,997 S * 10/2019 Miksovsky D7/643
D882,350 S * 4/2020 Rubenson D7/644

OTHER PUBLICATIONS

Screenshot from Industrial Revolution website, www.industriarev.com, via Archive.org, dated Sep. 2, 2017.

* cited by examiner

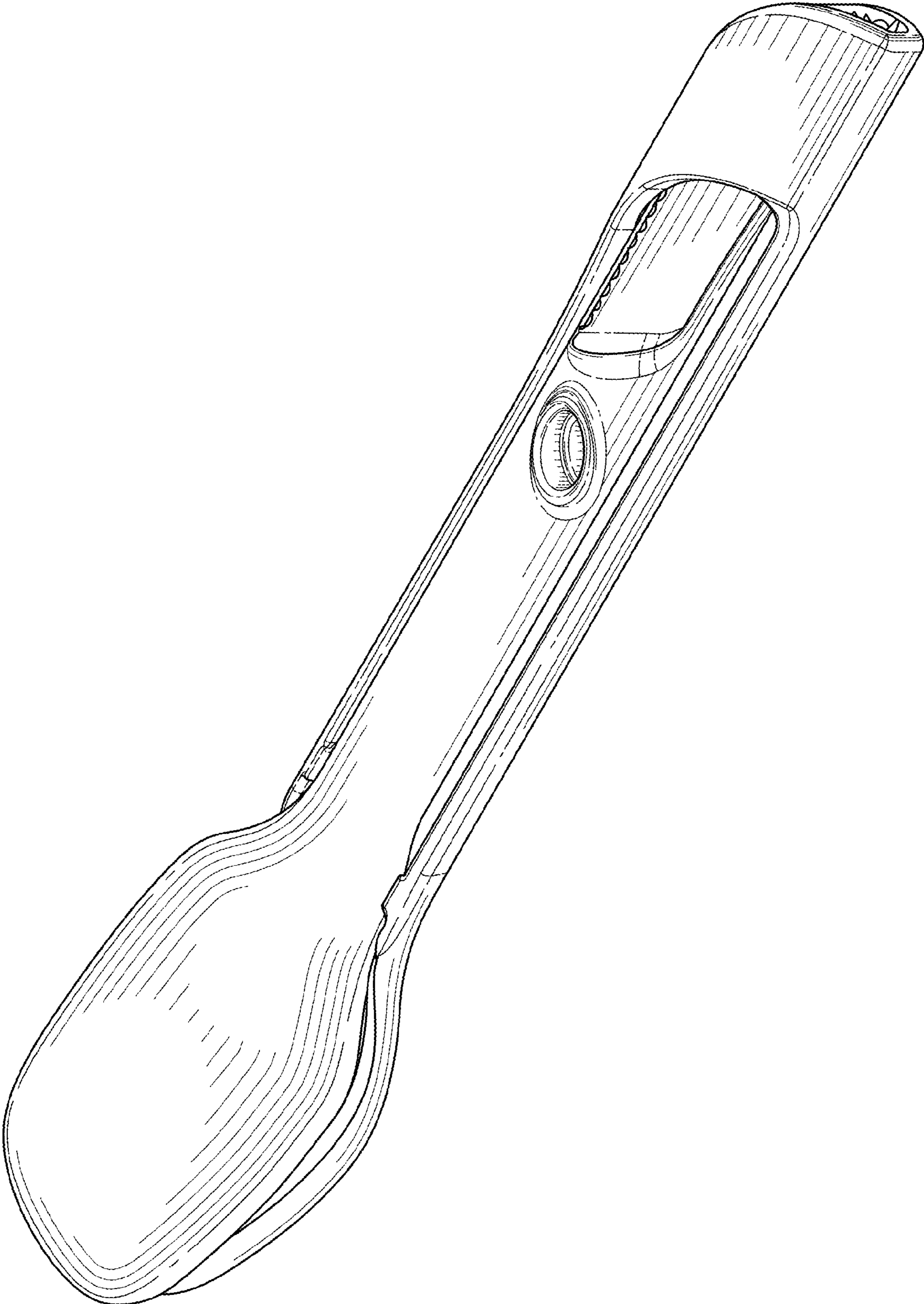


FIG. 1

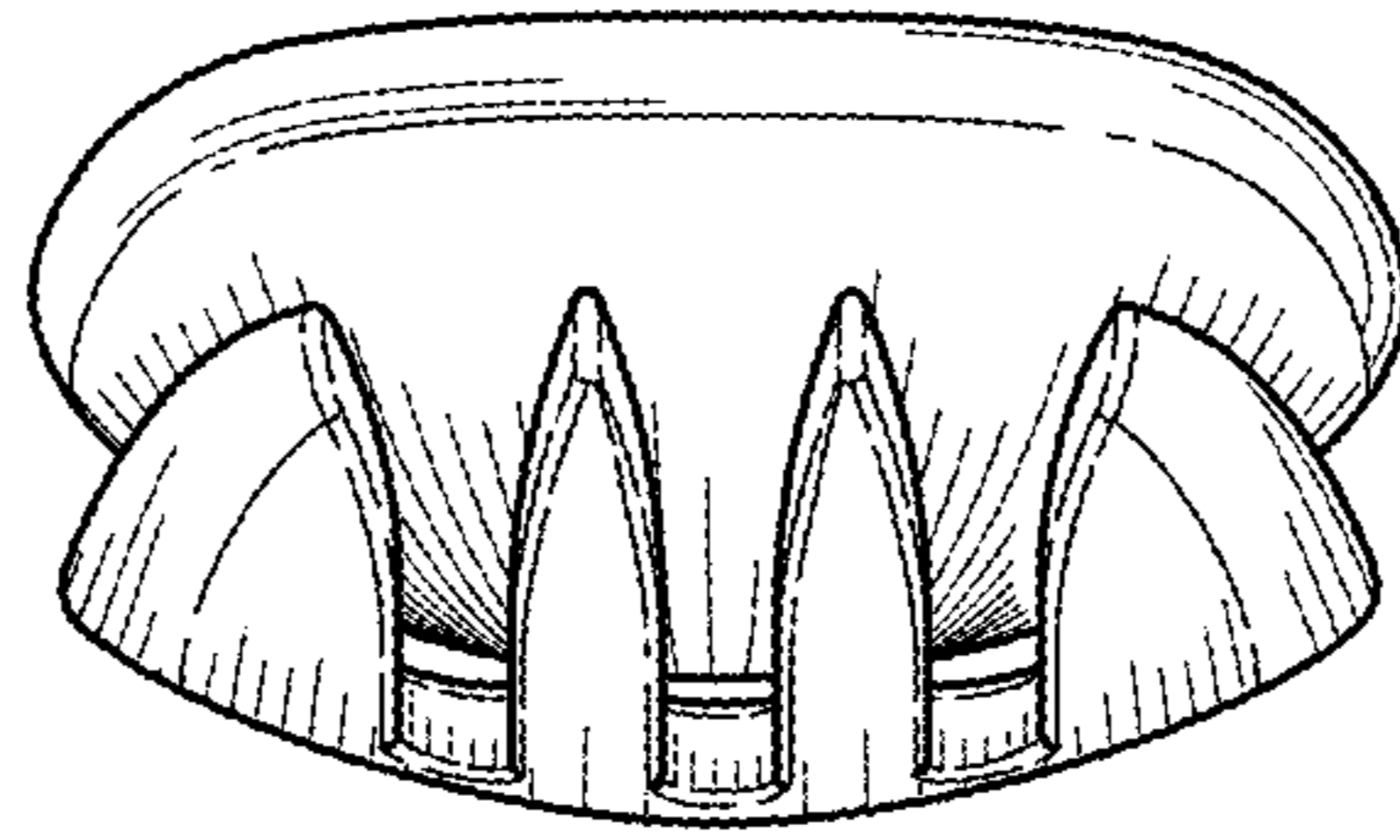


FIG. 2

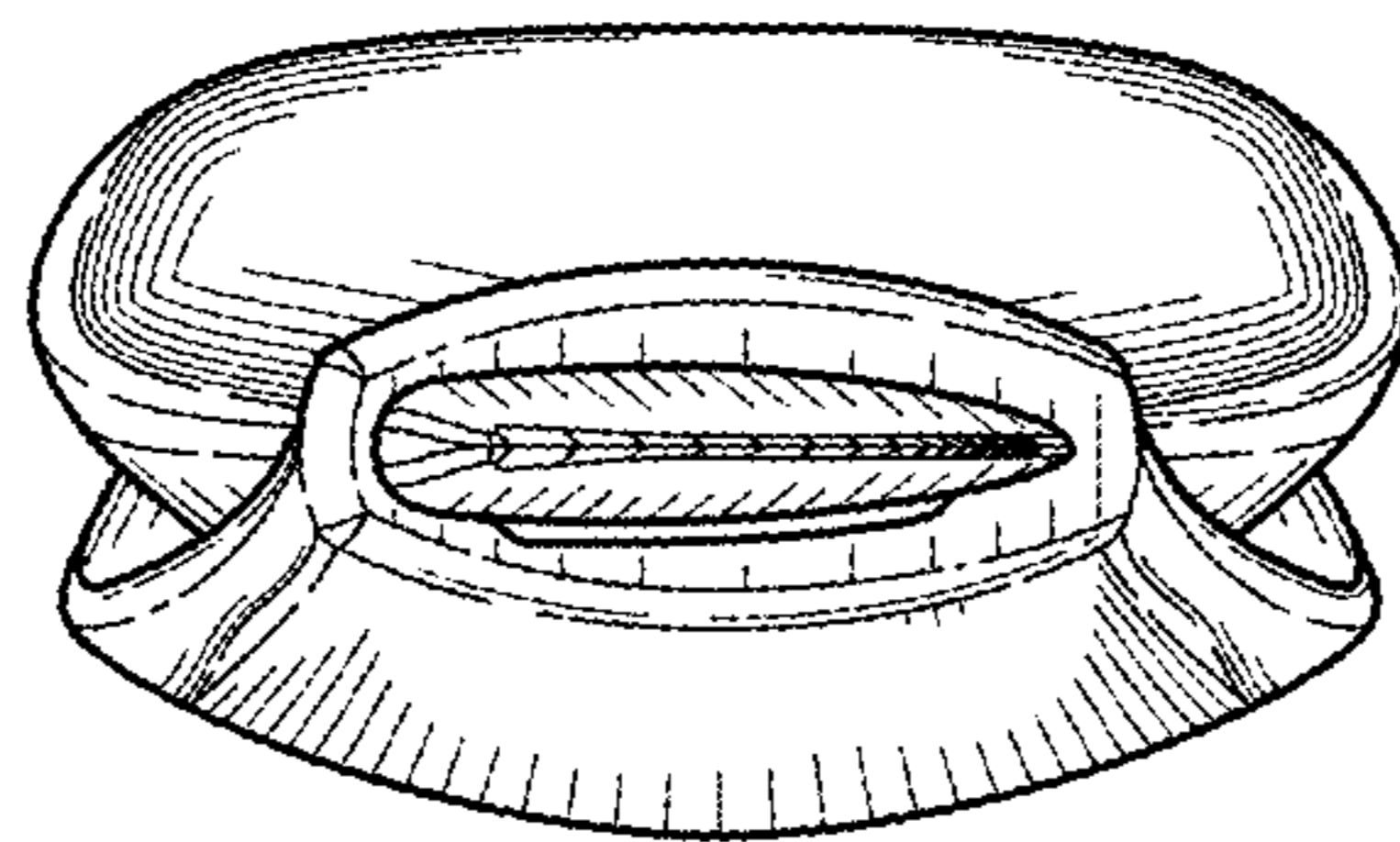


FIG. 3

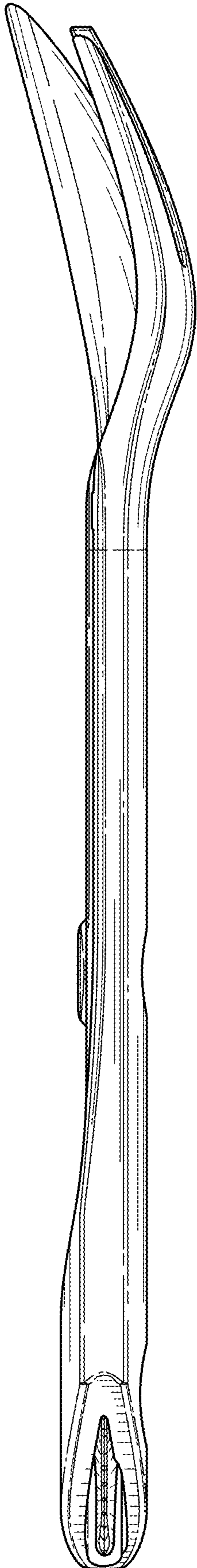


FIG. 4

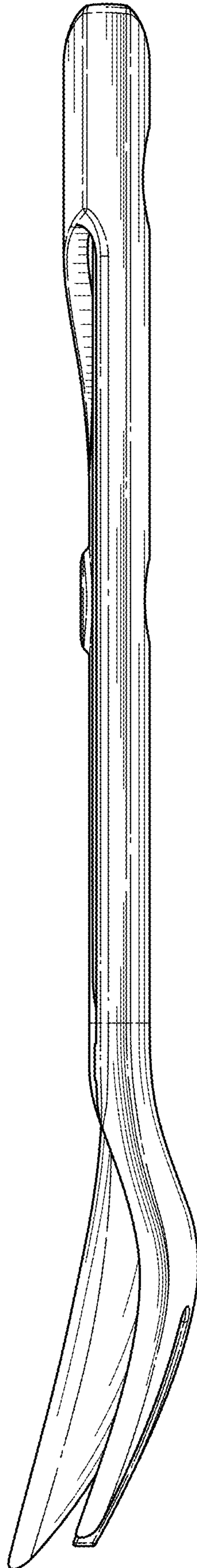


FIG. 5

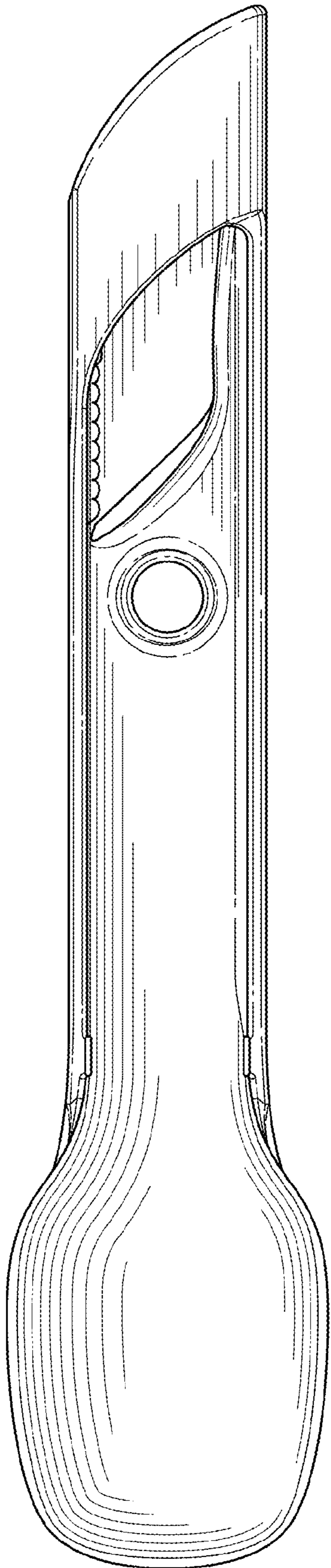


FIG. 6

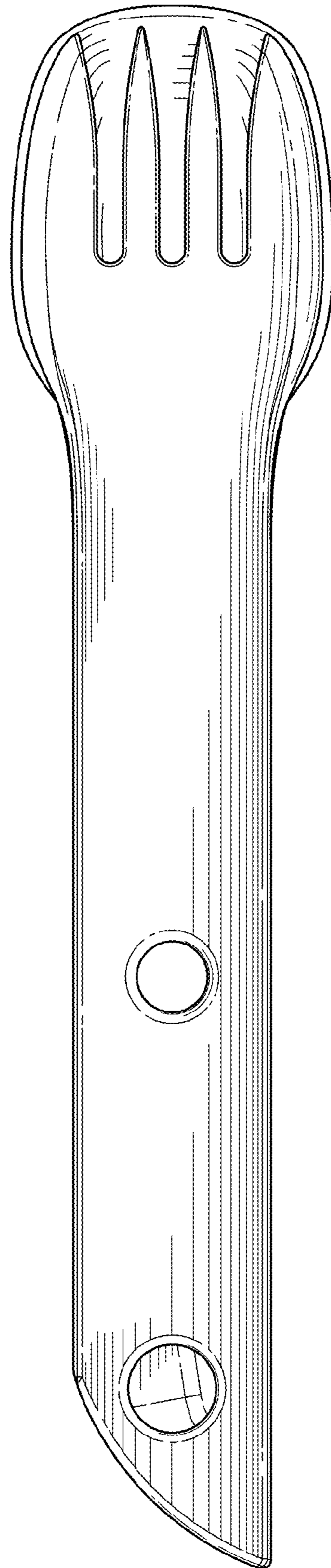


FIG. 7

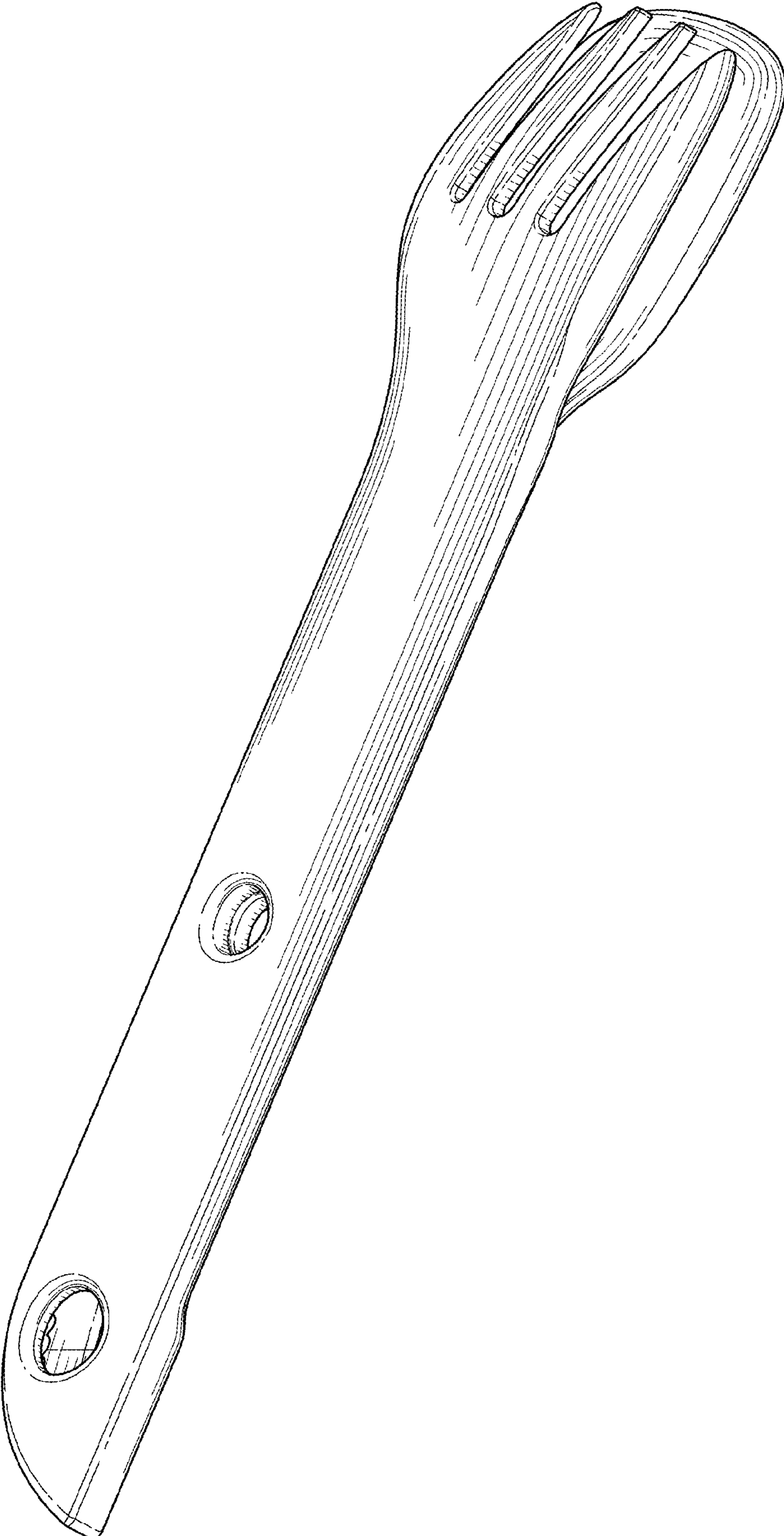


FIG. 8

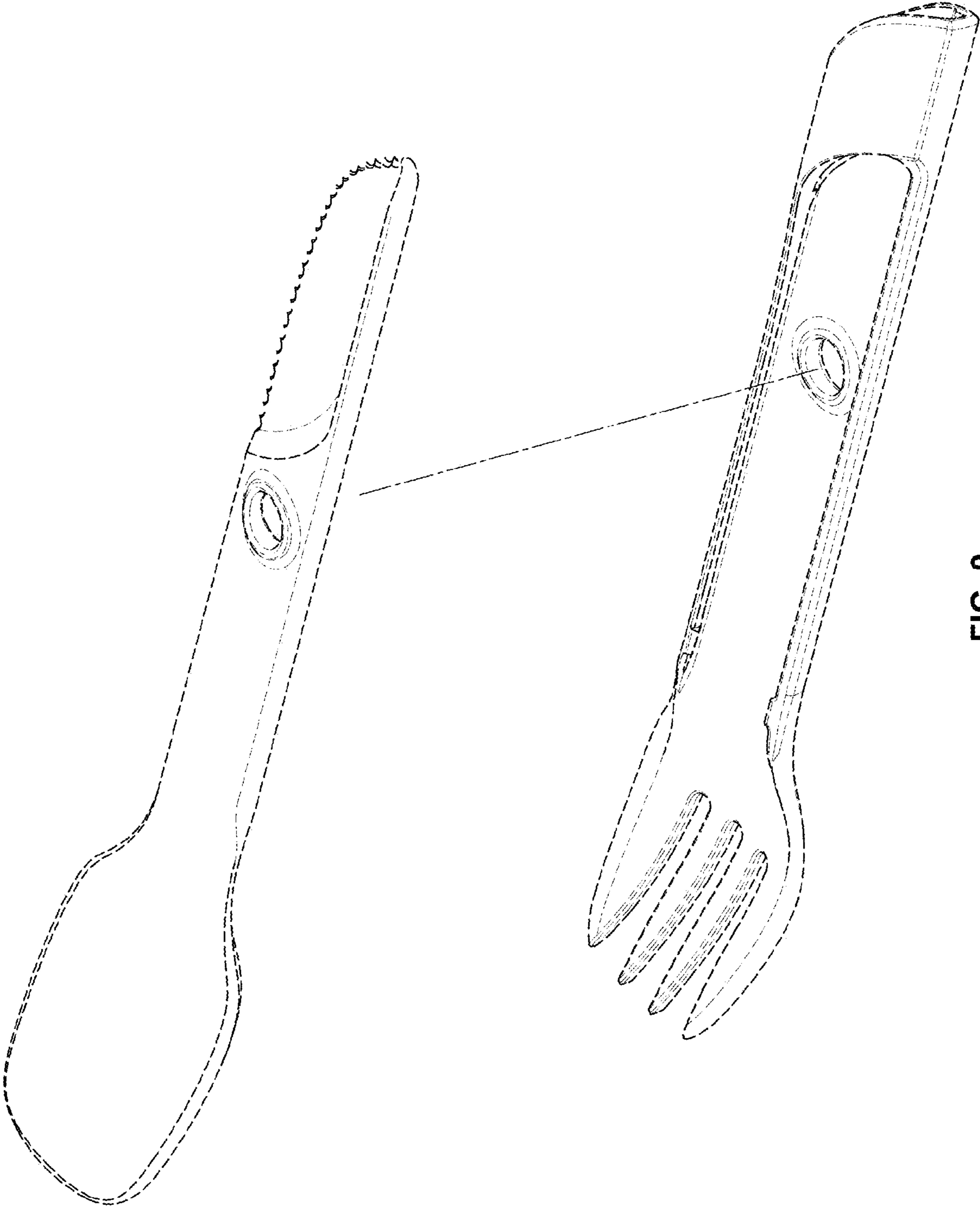


FIG. 9

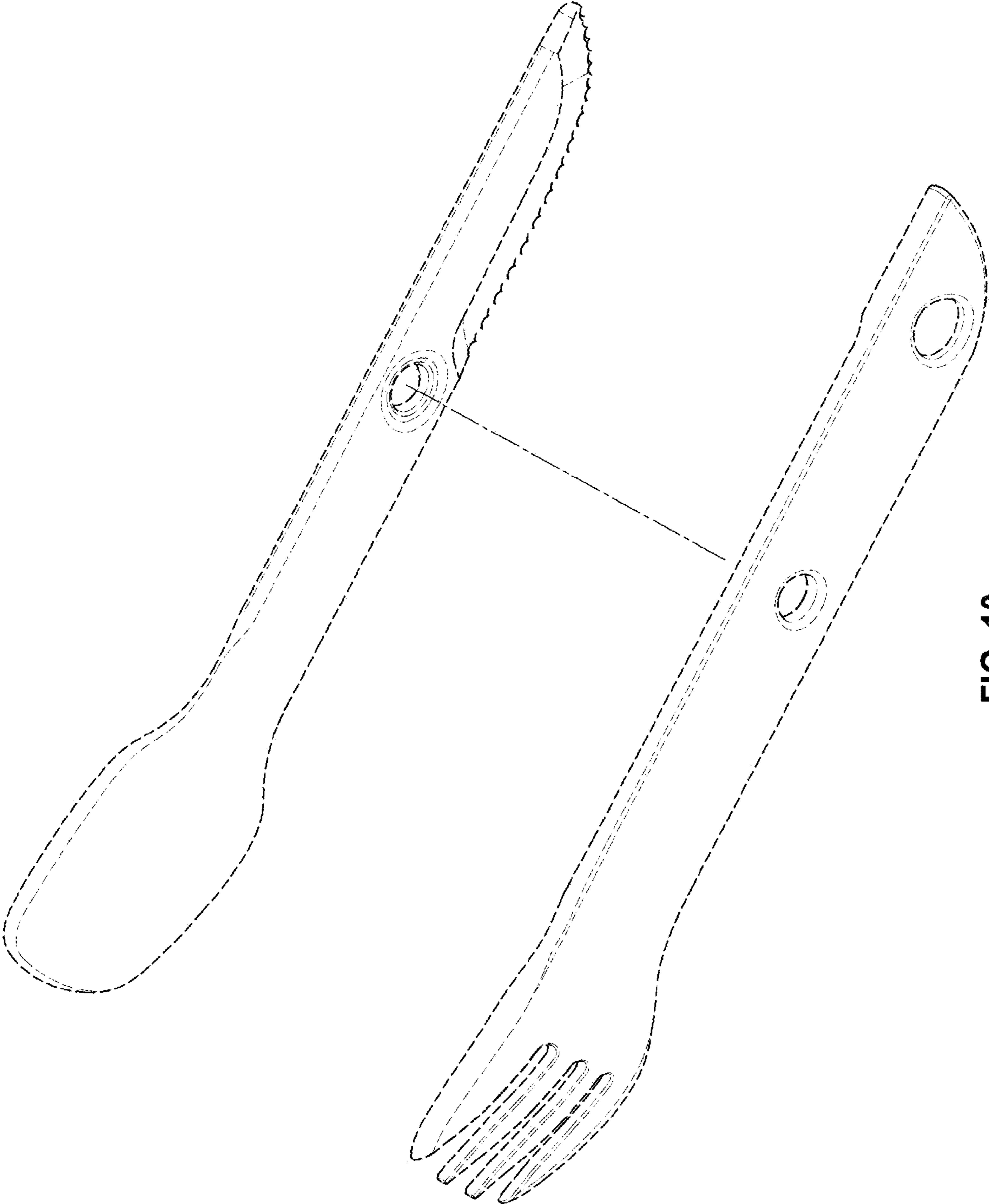


FIG. 10