



US00D925990S

(12) **United States Design Patent**  
**Yan**

(10) **Patent No.:** **US D925,990 S**

(45) **Date of Patent:** **\*\* Jul. 27, 2021**

(54) **SPICE RACK**

(71) Applicant: **SHENZHEN YUNHE TECHNOLOGY CO., LTD**, Shenzhen (CN)

(72) Inventor: **Dengkun Yan**, Shenzhen (CN)

(73) Assignee: **SHENZHEN YUNHE TECHNOLOGY CO., LTD**, Shenzhen (CN)

(\*\*) Term: **15 Years**

(21) Appl. No.: **29/769,723**

(22) Filed: **Feb. 8, 2021**

(51) **LOC (13) Cl.** ..... **07-99**

(52) **U.S. Cl.**  
USPC ..... **D7/600.4**

(58) **Field of Classification Search**  
USPC ..... D7/590, 600.1, 600.2, 600.3, 600.4, 387, D7/401.1, 213; D6/512, 524, 525, 552, D6/553, 556, 558, 566, 567, 569, 570, D6/574; D9/737, 741, 756, 759, 760, D9/761  
CPC ..... A47J 47/16; A47B 47/00; A47B 47/0091; A47B 81/00; A47B 81/007; A47F 7/00; A47F 5/10; A47F 5/13  
See application file for complete search history.

(56) **References Cited**

**U.S. PATENT DOCUMENTS**

- 3,139,258 A \* 6/1964 Handler ..... A47B 57/425 248/243
- 3,746,181 A \* 7/1973 Benoit ..... A47B 88/994 211/184
- D568,657 S \* 5/2008 Snider ..... A47K 3/281 D6/525
- D714,571 S \* 10/2014 Walker ..... D6/525
- D739,681 S 9/2015 Bee
- D772,015 S 11/2016 Tsai

- D785,979 S \* 5/2017 Snider ..... D6/675.1
- D873,081 S \* 1/2020 Goodman ..... D7/600.1
- D876,169 S \* 2/2020 Klein ..... D7/600.4
- D880,949 S \* 4/2020 Repko ..... D7/600.4
- D904,127 S \* 12/2020 Song ..... D7/600.1

(Continued)

**OTHER PUBLICATIONS**

3 Tier Spice Organizer | posted at Amazon.com, posted on Aug. 4, 2020 © 1996-2021 Amazon.com, [online], [site visited Apr. 22, 2021]. Available from Internet, <URL:https://www.amazon.com/dp/B08FC7DM1K/> (Year: 2020).\*

*Primary Examiner* — Susan E Krakower  
*Assistant Examiner* — Andrew Kerr

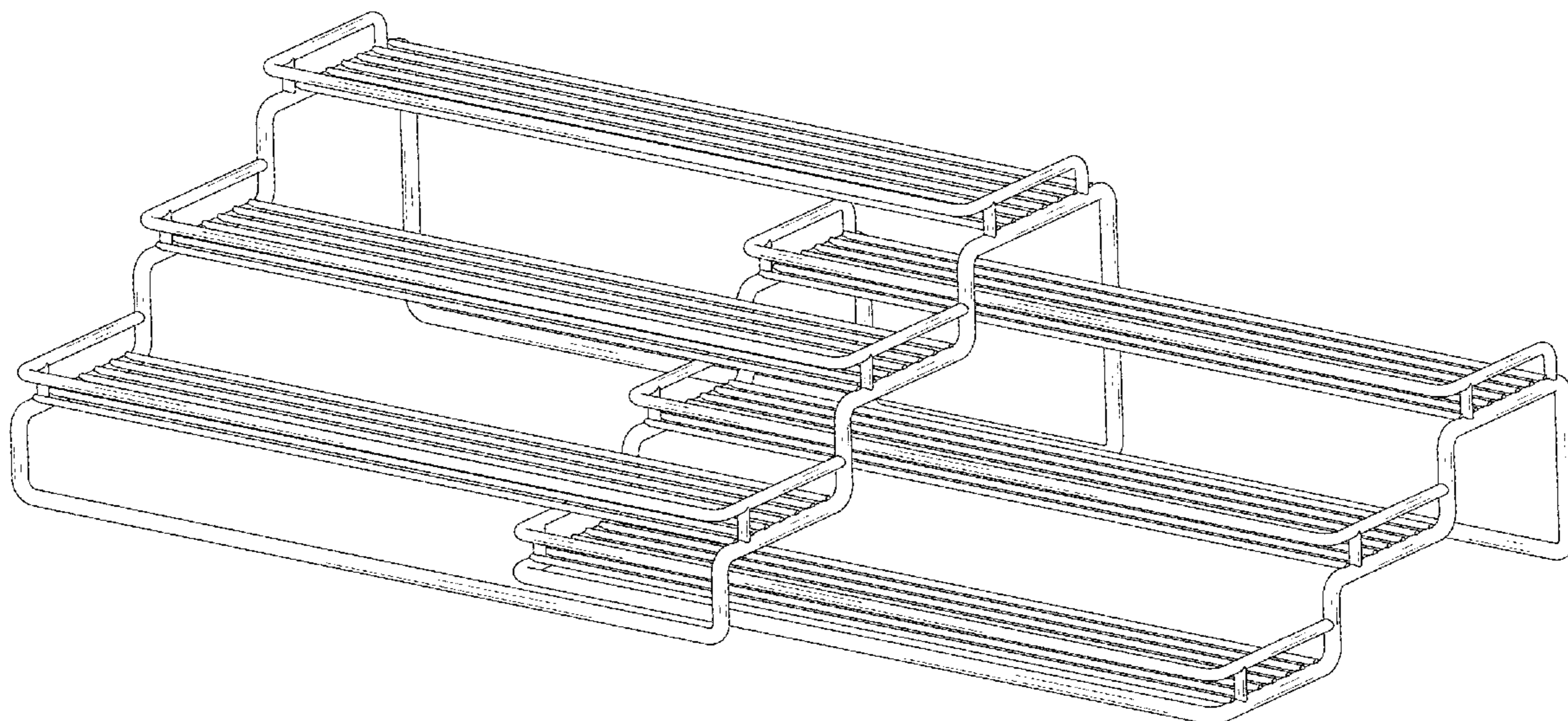
(57) **CLAIM**

The ornamental design for a spice rack, as shown and described.

**DESCRIPTION**

FIG. 1 is a perspective view of a first embodiment of a spice rack showing my new design;  
FIG. 2 is another perspective view thereof;  
FIG. 3 is a front elevational view thereof;  
FIG. 4 is a rear elevational view thereof;  
FIG. 5 is a left side elevational view thereof;  
FIG. 6 is a right side elevational view thereof;  
FIG. 7 is a top plan view thereof;  
FIG. 8 is a bottom plan view thereof;  
FIG. 9 is a perspective view of a second embodiment of a spice rack showing my new design;  
FIG. 10 is another perspective view thereof;  
FIG. 11 is a front elevational view thereof;  
FIG. 12 is a rear elevational view thereof;  
FIG. 13 is a left side elevational view thereof;  
FIG. 14 is a right side elevational view thereof;  
FIG. 15 is a top plan view thereof; and,  
FIG. 16 is a bottom plan view thereof.

**1 Claim, 16 Drawing Sheets**



(56)

**References Cited**

U.S. PATENT DOCUMENTS

D912,471 S *	3/2021	Tsai	.....	D7/600.4
2004/0188369 A1 *	9/2004	Yu	.....	A47K 5/04
				211/106

\* cited by examiner

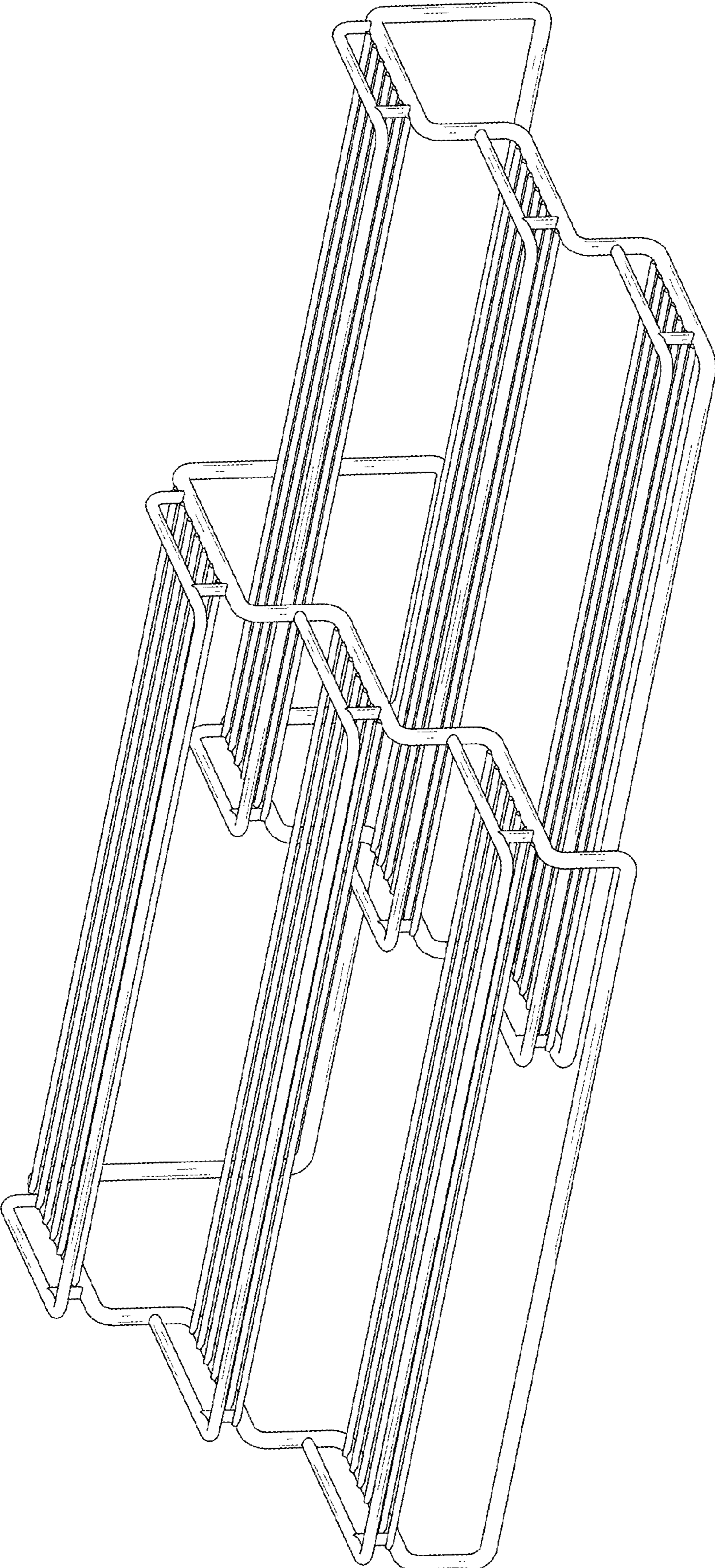


FIG. 1

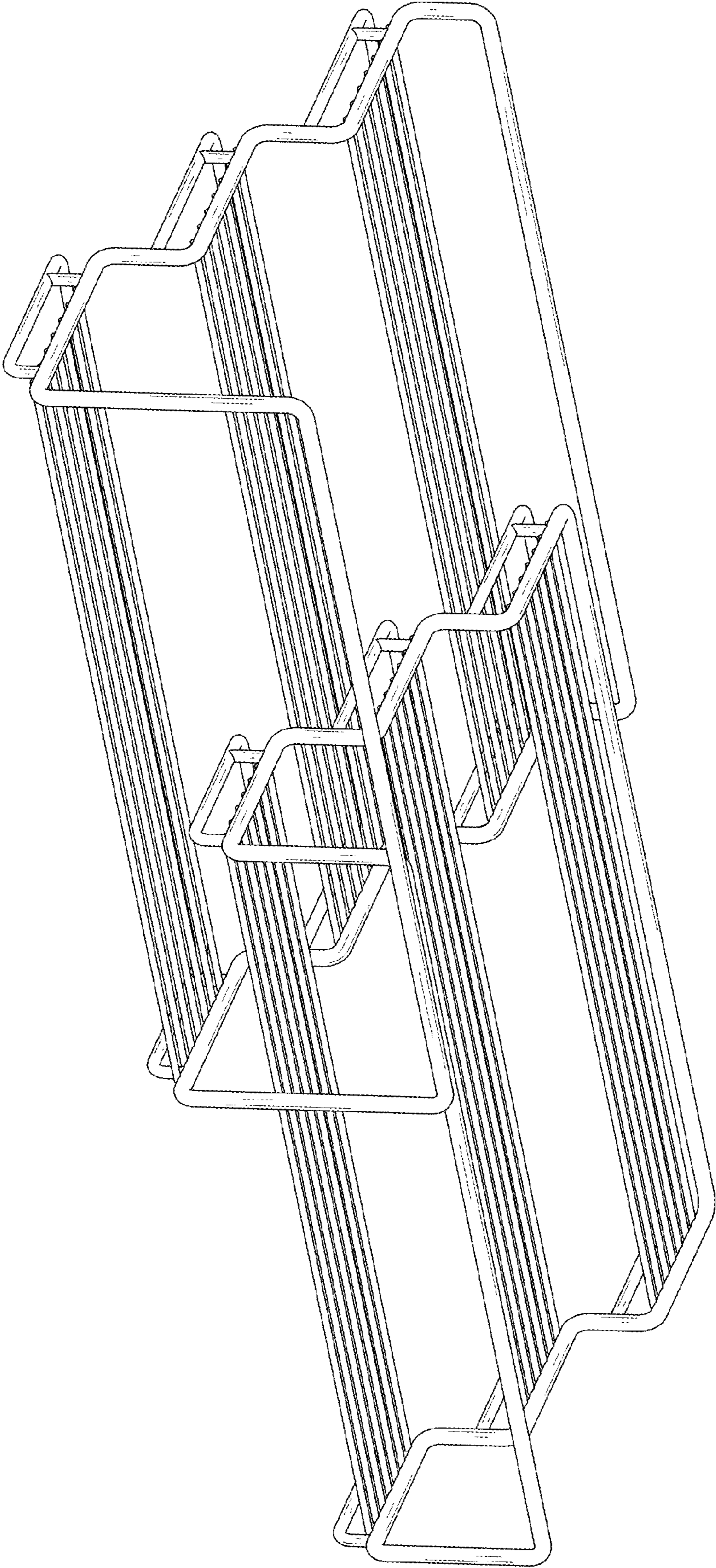


FIG. 2

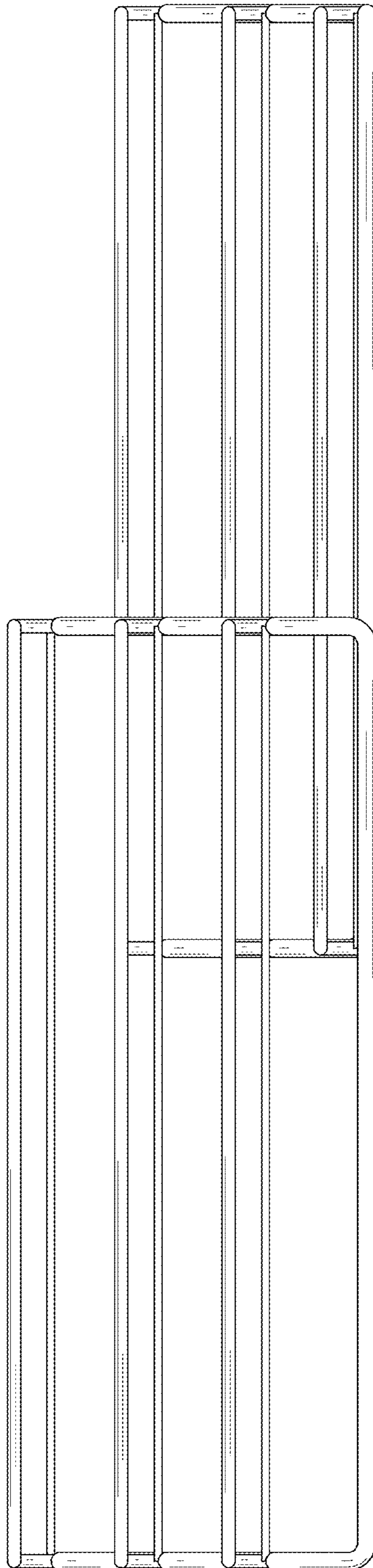


FIG. 3

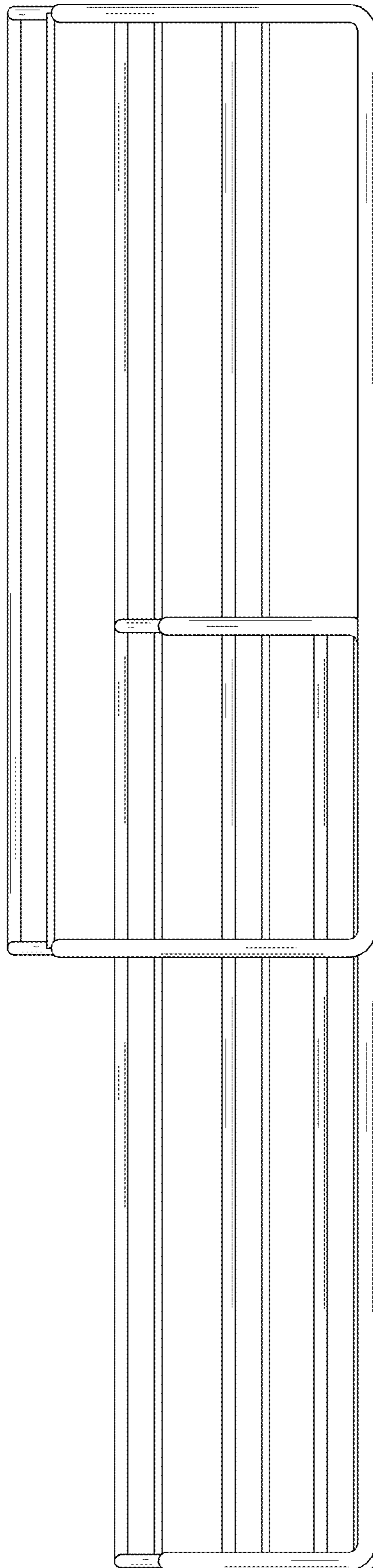


FIG. 4

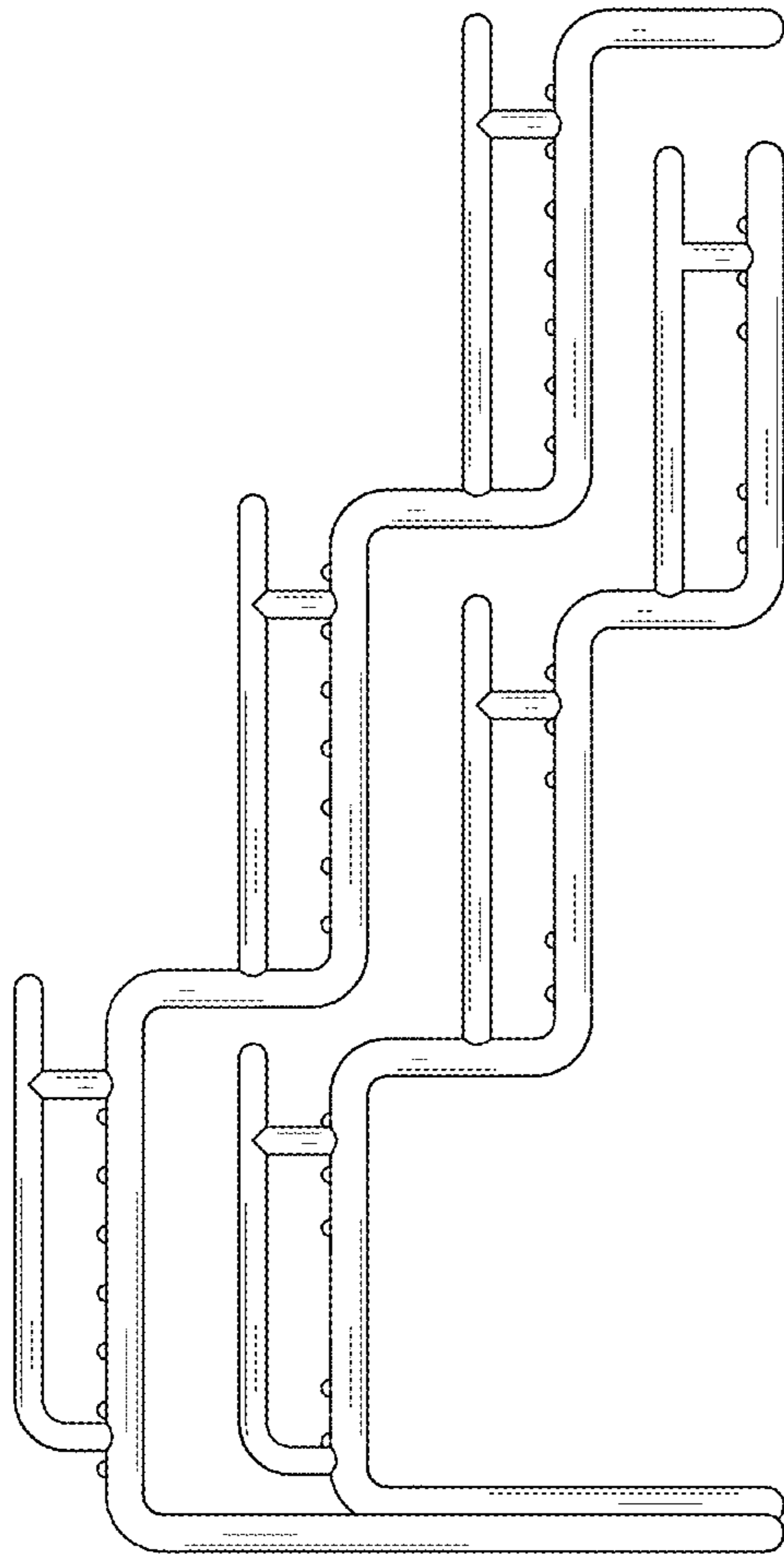


FIG. 5

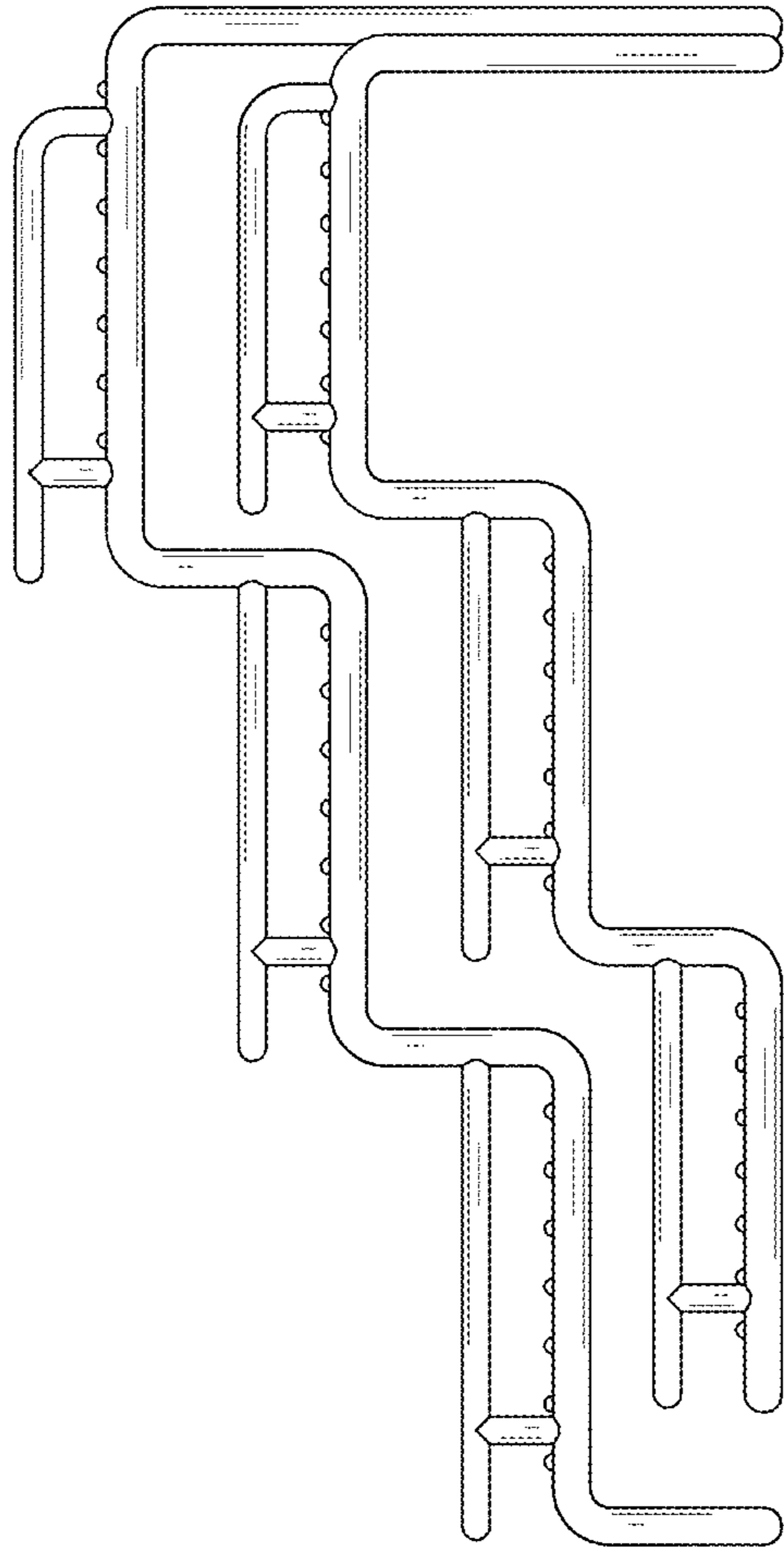


FIG. 6



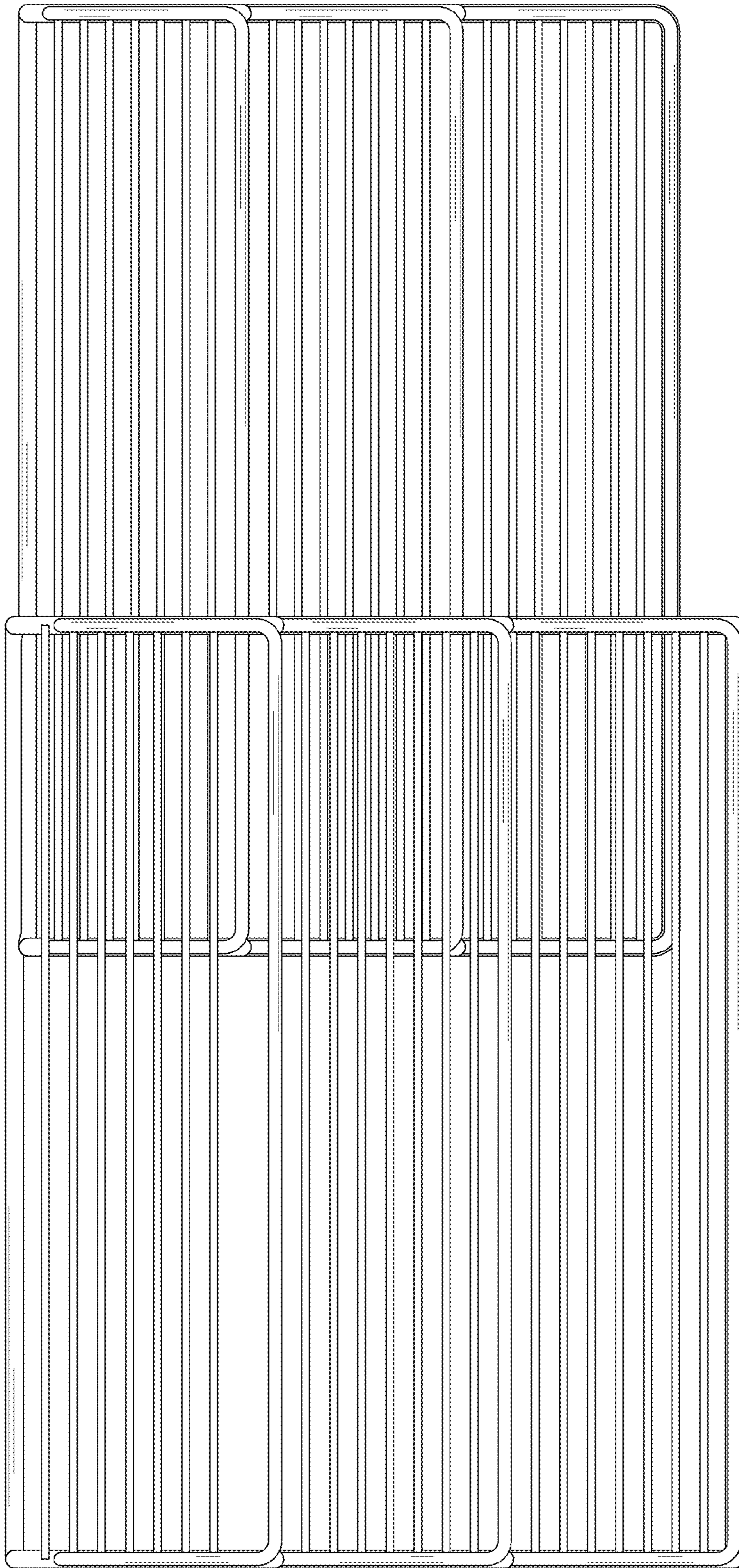


FIG. 7

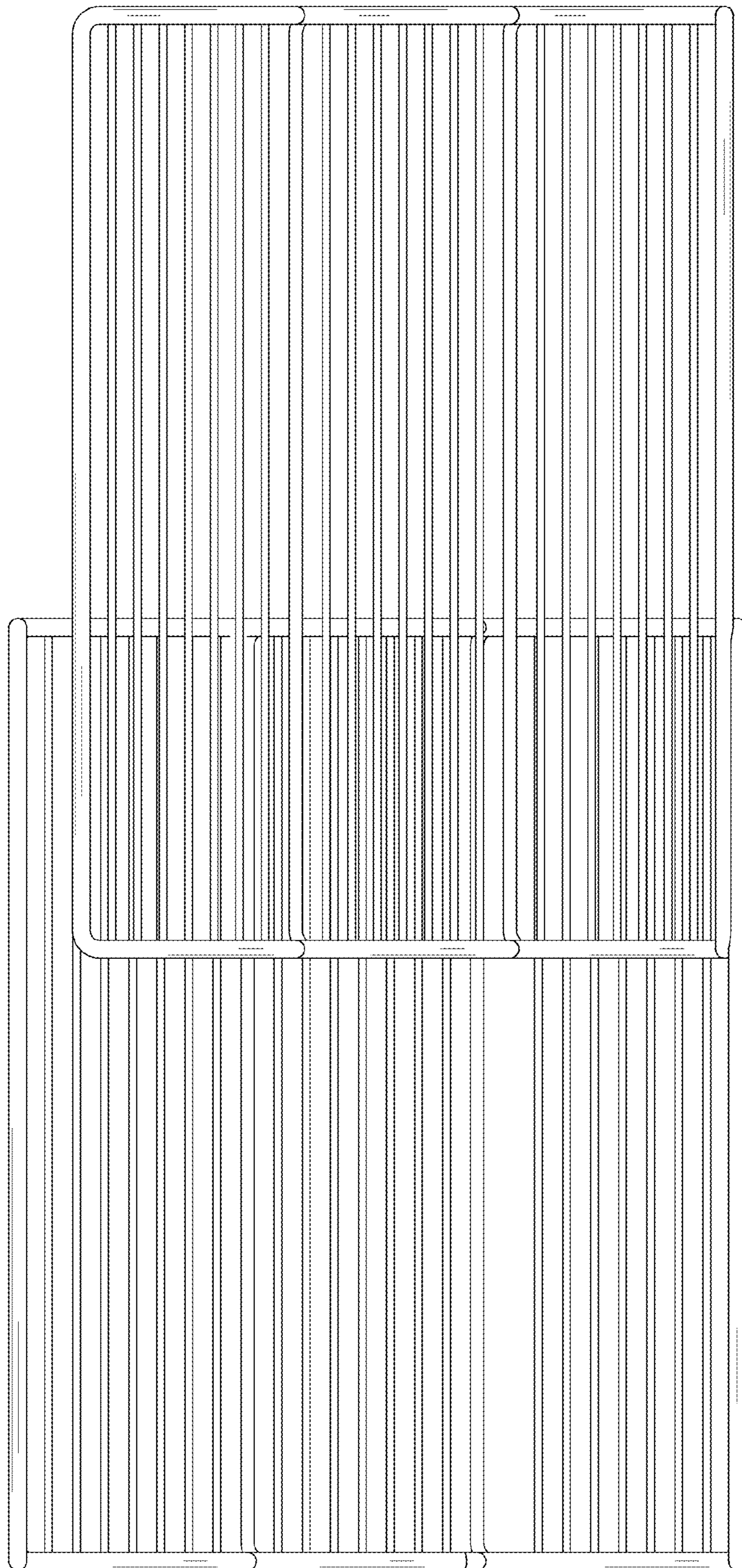


FIG. 8

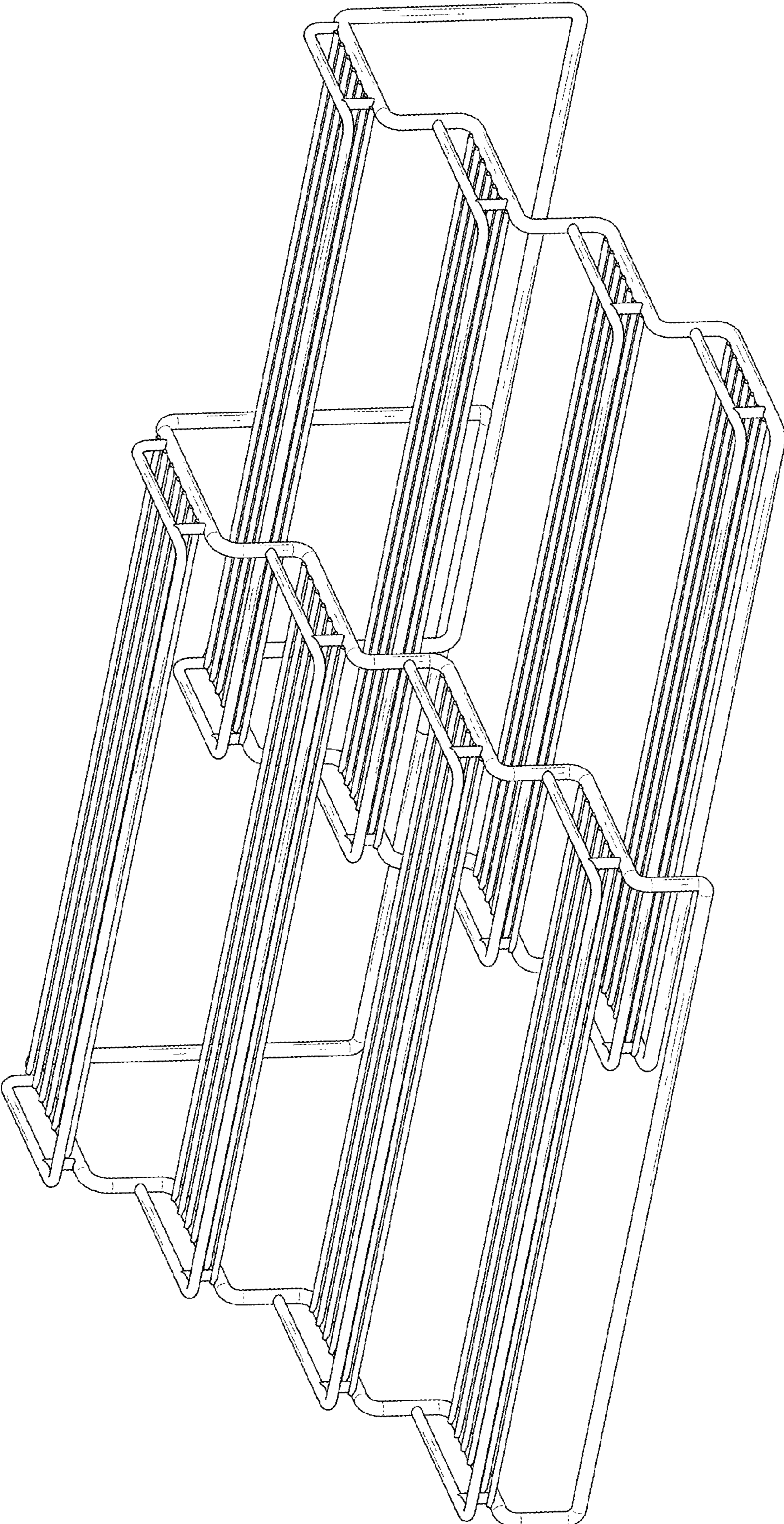


FIG. 9

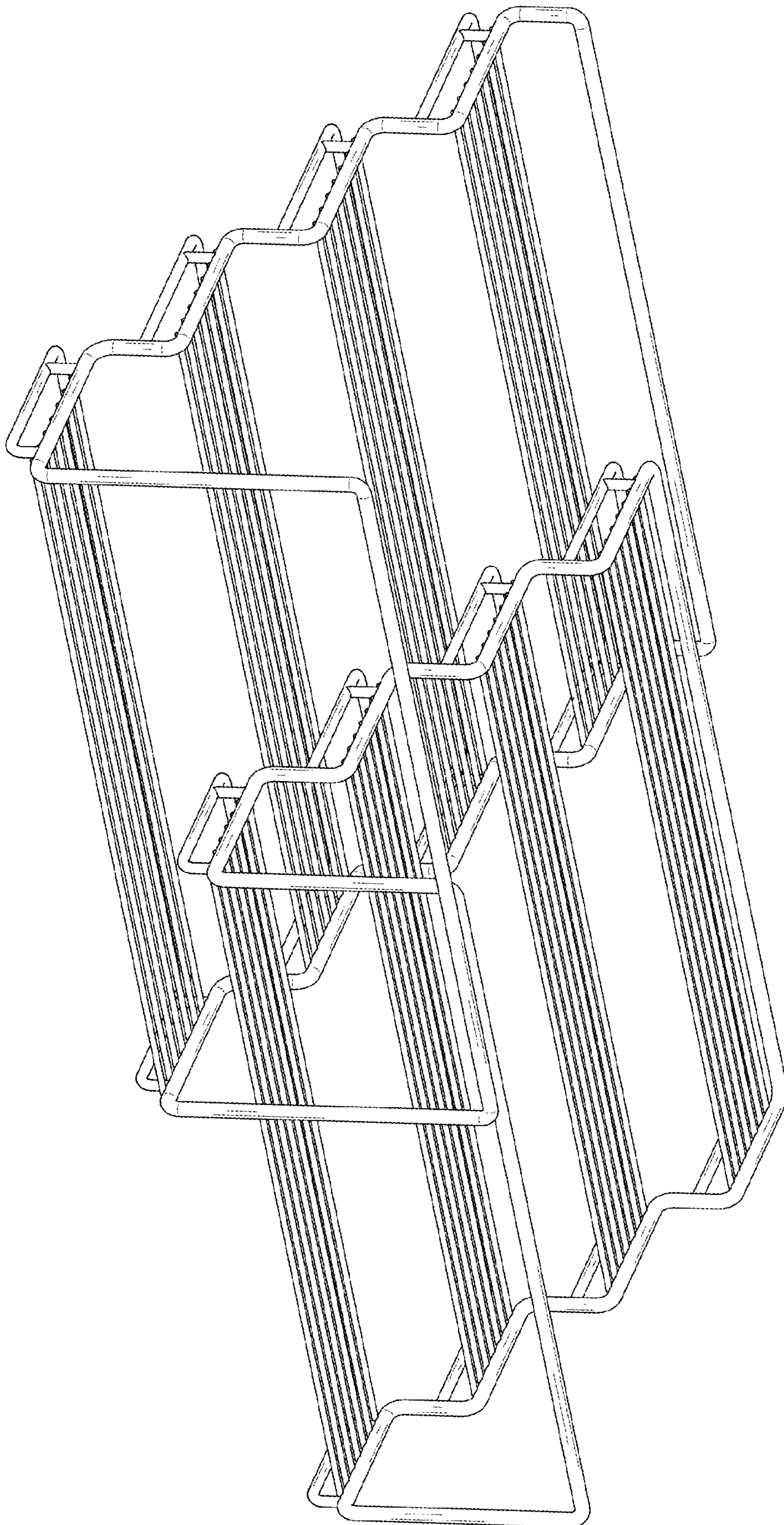


FIG. 10

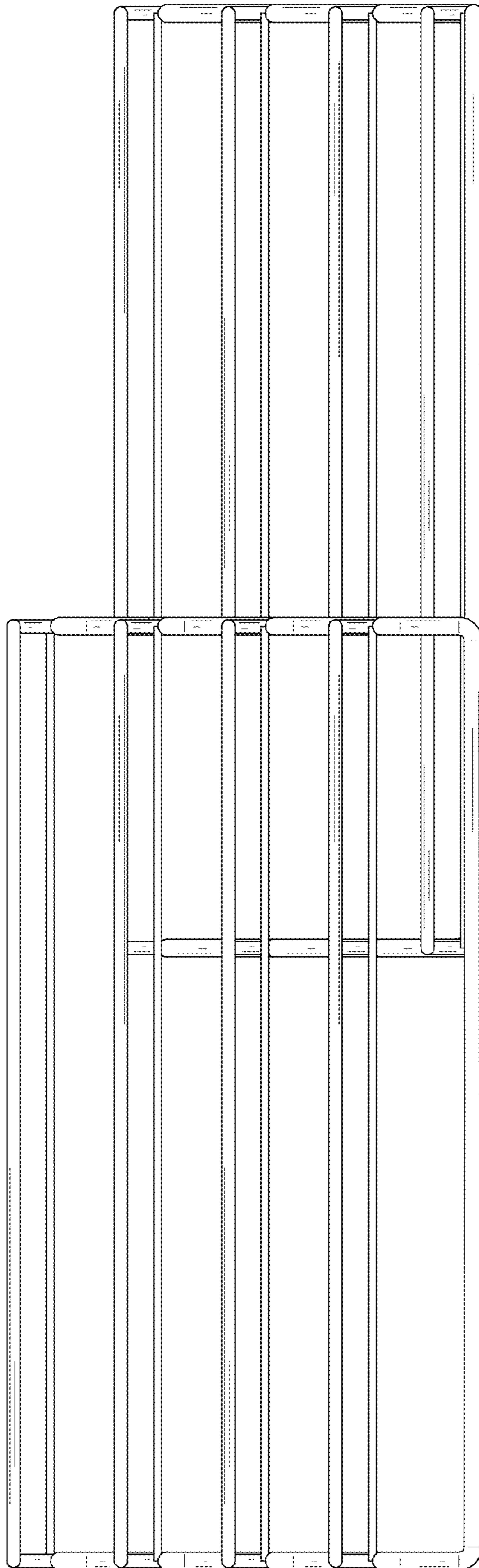


FIG. 11

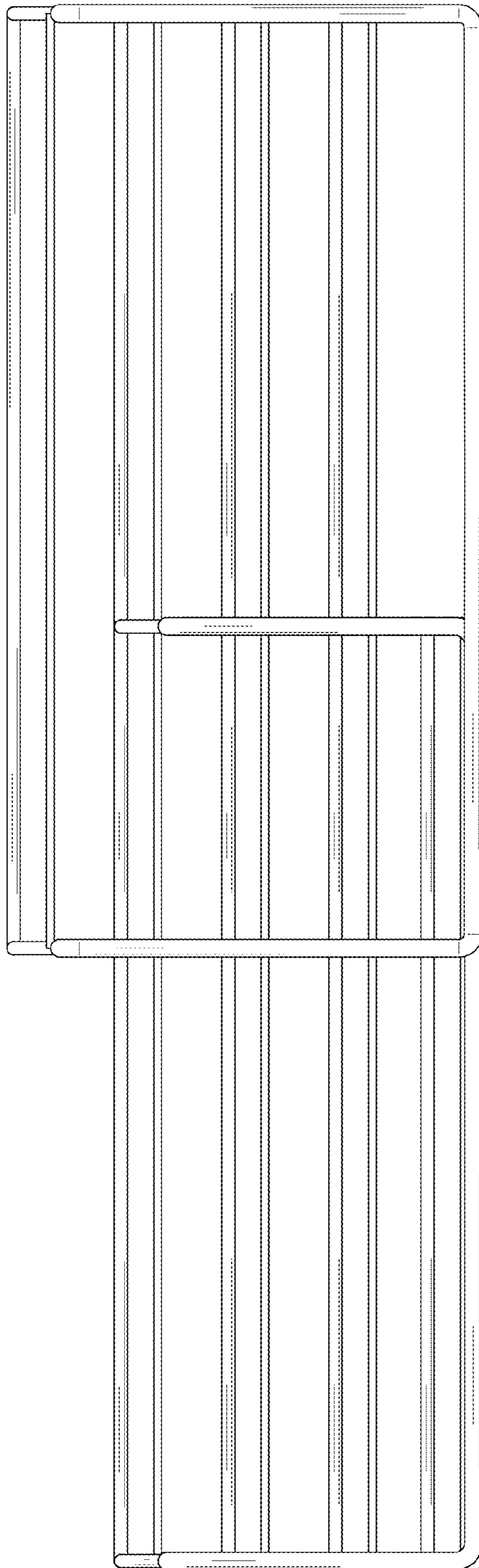


FIG. 12

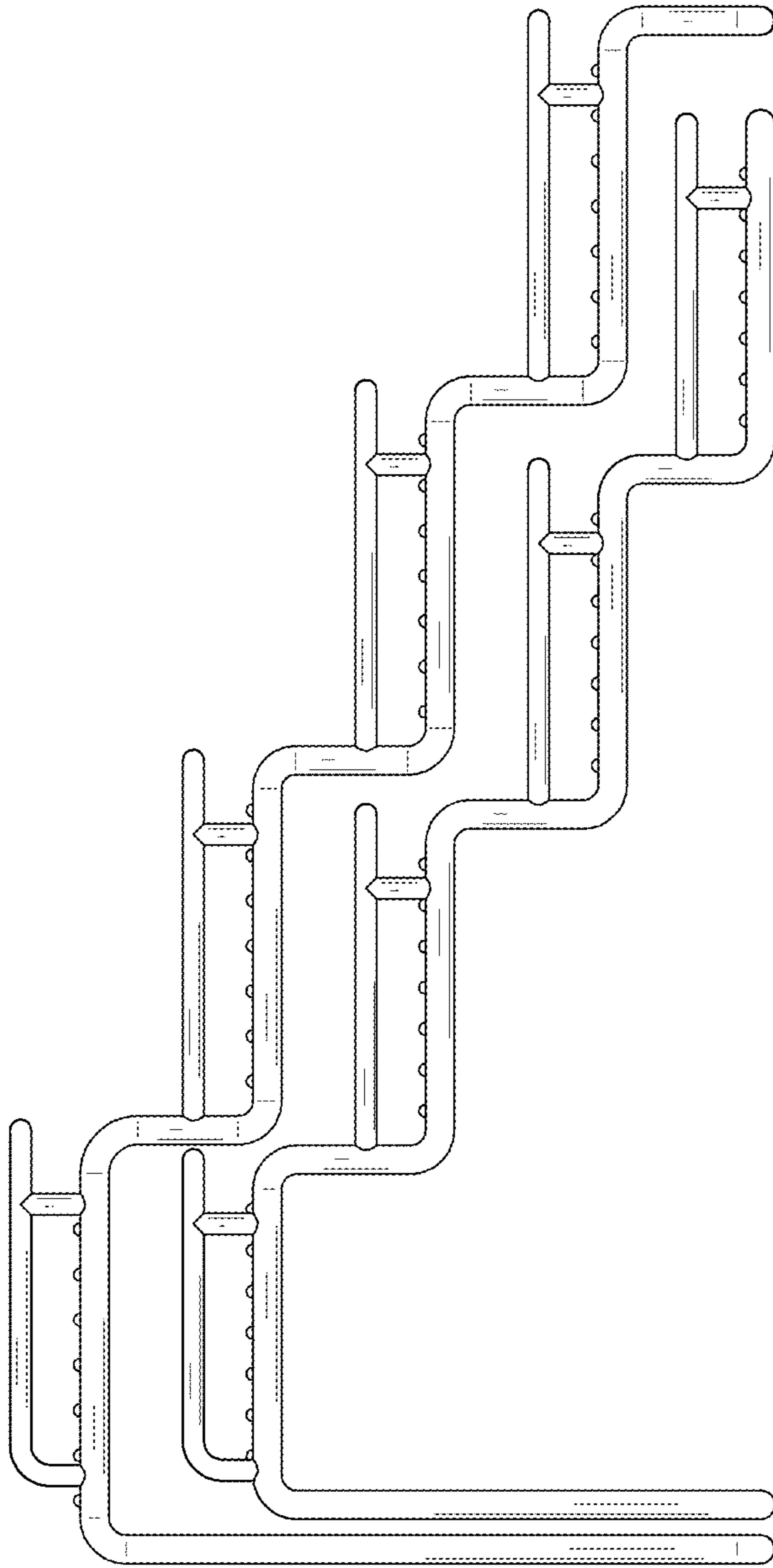


FIG. 13

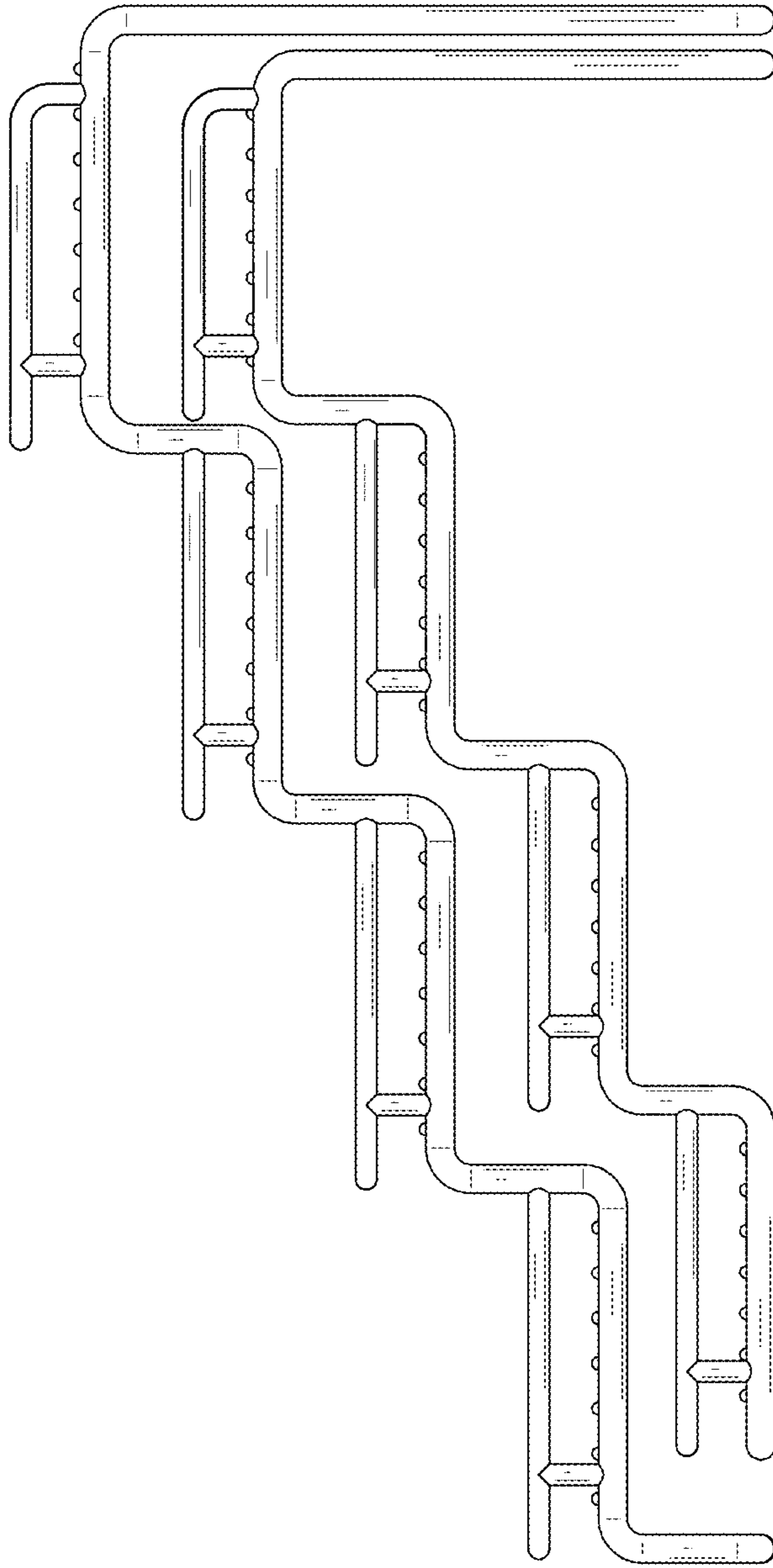


FIG. 14



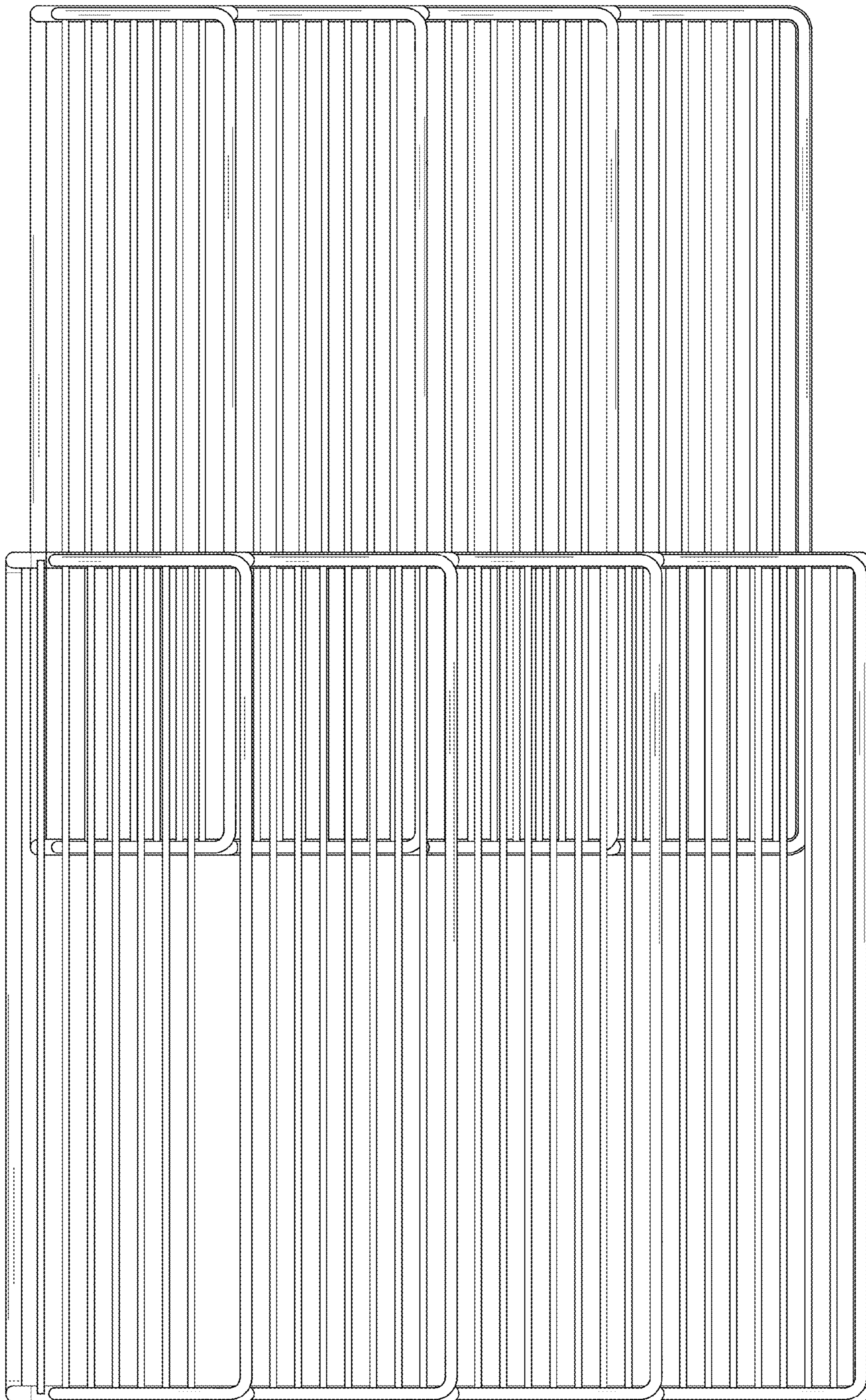


FIG. 15

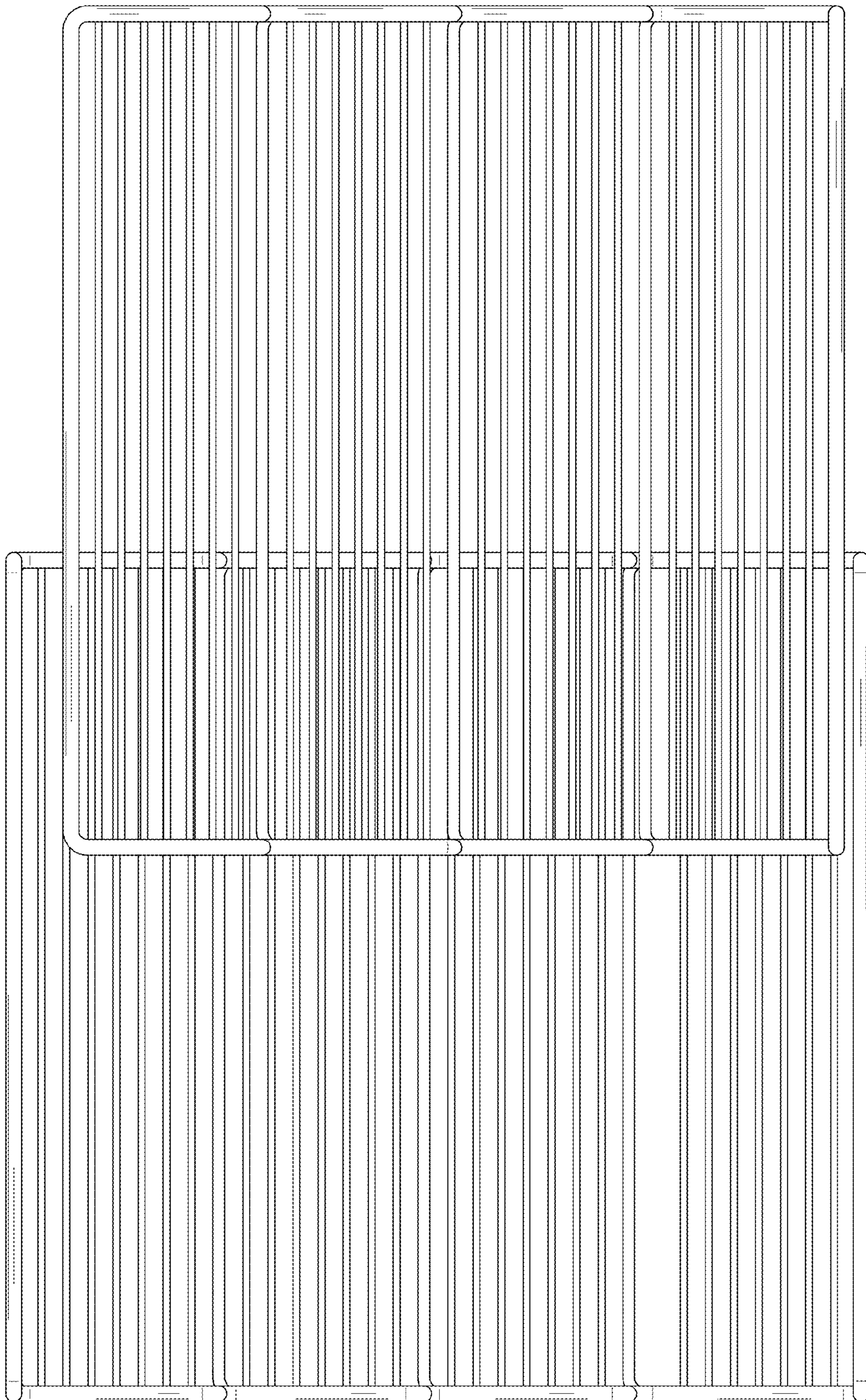


FIG. 16



US00D925990C1

(12) **EX PARTE REEXAMINATION CERTIFICATE** (12306th)  
**United States Patent**  
**Yan**

(10) **Number:** **US D925,990 C1**  
(45) **Certificate Issued:** **May 22, 2023**

(54) **SPICE RACK**

(71) Applicant: **SHENZHEN YUNHE TECHNOLOGY CO., LTD**, Shenzhen (CN)

(72) Inventor: **Dengkun Yan**, Shenzhen (CN)

(73) Assignee: **SHENZHEN YUNHE TECHNOLOGY CO., LTD**, Shenzhen (CN)

(51) **LOC (14) Cl.** ..... 07-99

(52) **U.S. Cl.**  
USPC ..... **D7/600.4**

(58) **Field of Classification Search**  
USPC ..... D7/600.4, 704  
See application file for complete search history.

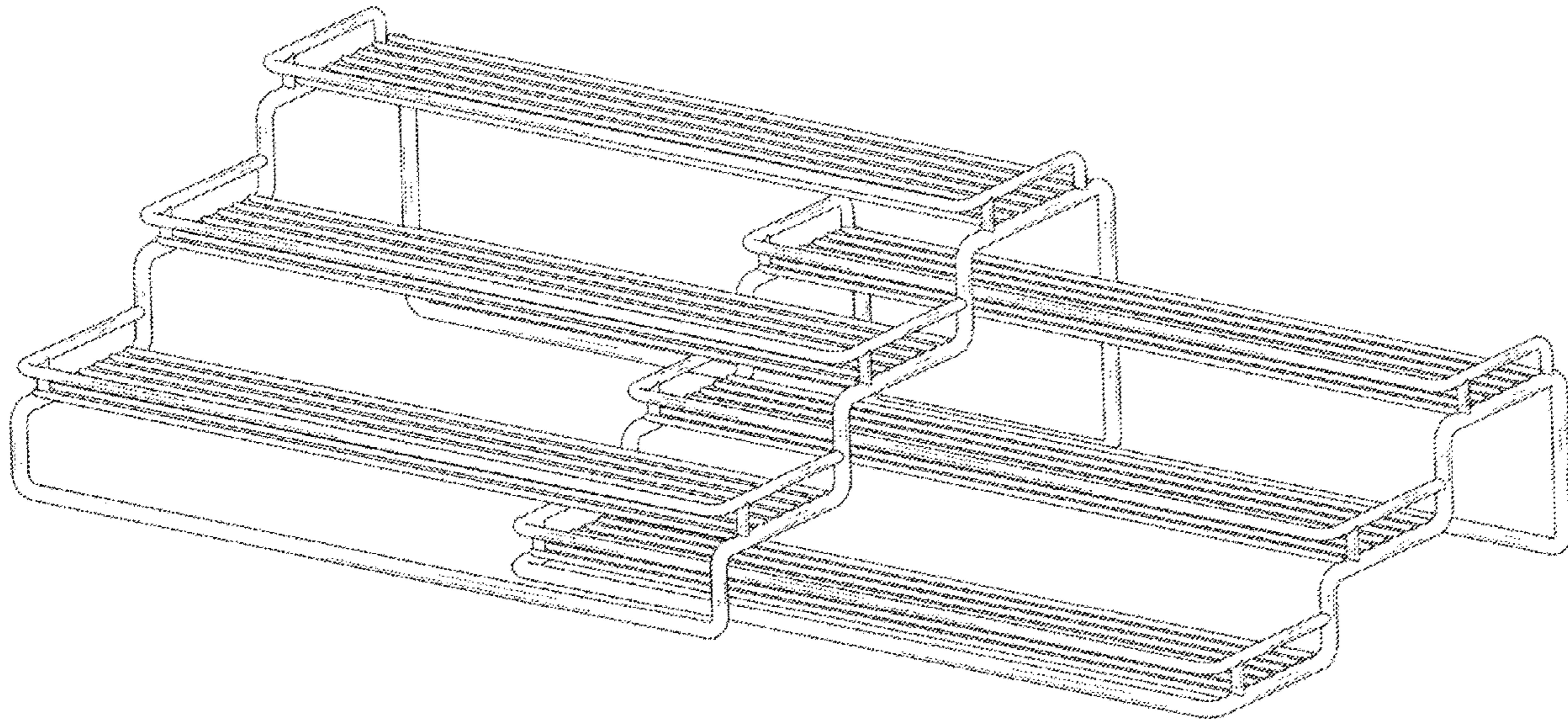
(56) **References Cited**

To view the complete listing of prior art documents cited during the proceeding for Reexamination Control Number 90/019,088, please refer to the USPTO's Patent Electronic System.

**Reexamination Request:**  
No. 90/019,088, Jun. 4, 2022

**Reexamination Certificate for:**  
Patent No.: **Des. 925,990**  
Issued: **Jul. 27, 2021**  
Appl. No.: **29/769,723**  
Filed: **Feb. 8, 2021**

*Primary Examiner* — Brett Miller



**1**  
**EX PARTE**  
**REEXAMINATION CERTIFICATE**

THE PATENT IS HEREBY AMENDED AS  
INDICATED BELOW.

5

AS A RESULT OF REEXAMINATION, IT HAS BEEN  
DETERMINED THAT:

The claim 1 is cancelled.

10

\* \* \* \* \*