



US00D925989S

(12) **United States Design Patent** (10) **Patent No.:** **US D925,989 S**  
**Lin** (45) **Date of Patent:** **\*\* Jul. 27, 2021**

(54) **SPICE RACK**  
(71) Applicant: **SHENZHEN MAIQIANG TECHNOLOGY DEVELOPMENT CO., LTD.,** Shenzhen (CN)  
(72) Inventor: **Xiaohong Lin,** Shenzhen (CN)  
(73) Assignee: **SHENZHEN MAIQIANG TECHNOLOGY DEVELOPMENT CO., LTD.,** Shenzhen (CN)

D496,831 S \* 10/2004 Strahota ..... D7/600.3  
7,287,870 B1 \* 10/2007 Knoch ..... G09F 13/04  
362/806  
D561,539 S \* 2/2008 Snider ..... D7/600.2  
D652,684 S 1/2012 Herrera  
D656,758 S \* 4/2012 Snider ..... D6/677.2  
D658,011 S \* 4/2012 Goode ..... D7/610  
D661,953 S \* 6/2012 Harshman ..... D7/610  
D664,010 S \* 7/2012 Goode ..... D7/610  
D772,015 S 11/2016 Tsai

(Continued)

(\*\*) Term: **15 Years**

(21) Appl. No.: **29/769,617**

(22) Filed: **Feb. 6, 2021**

(30) **Foreign Application Priority Data**

Nov. 13, 2020 (EM) ..... 008268809-0002

(51) **LOC (13) Cl.** ..... **07-99**

(52) **U.S. Cl.**  
USPC ..... **D7/600.2**

(58) **Field of Classification Search**  
USPC ..... D7/550.1, 554.1, 554.2, 558, 584, 600.1,  
D7/600.2, 600.4, 601, 610, 630  
CPC ..... A47J 47/16; A47B 49/00; A47B 49/004;  
A47B 49/008; A47F 3/06; A47F 3/10;  
A47F 3/14  
See application file for complete search history.

(56) **References Cited**

**U.S. PATENT DOCUMENTS**

197,931 A \* 12/1877 Haight ..... A47B 11/00  
108/94  
1,570,651 A \* 1/1926 Topping ..... A47F 5/04  
108/94  
D160,688 S \* 10/1950 Brock ..... D7/501  
D245,139 S \* 7/1977 Graham ..... D7/610  
D404,618 S \* 1/1999 Roy ..... D7/600.2  
D490,273 S \* 5/2004 Hockey ..... D7/600.2

**OTHER PUBLICATIONS**

WINDASER Spice Rack Organizer | posted at Amazon.com, posted on Dec. 6, 2020, © 1996-2021 Amazon.com, [online], [site visited May 4, 2021]. Available from Internet, <URL: https://www.amazon.com/WINDASER-Organizer-Storage-Kitchen-Cabinet/dp/B08PRWLTHW/> (Year: 2020).\*

*Primary Examiner* — Susan E Krakower  
*Assistant Examiner* — Andrew Kerr

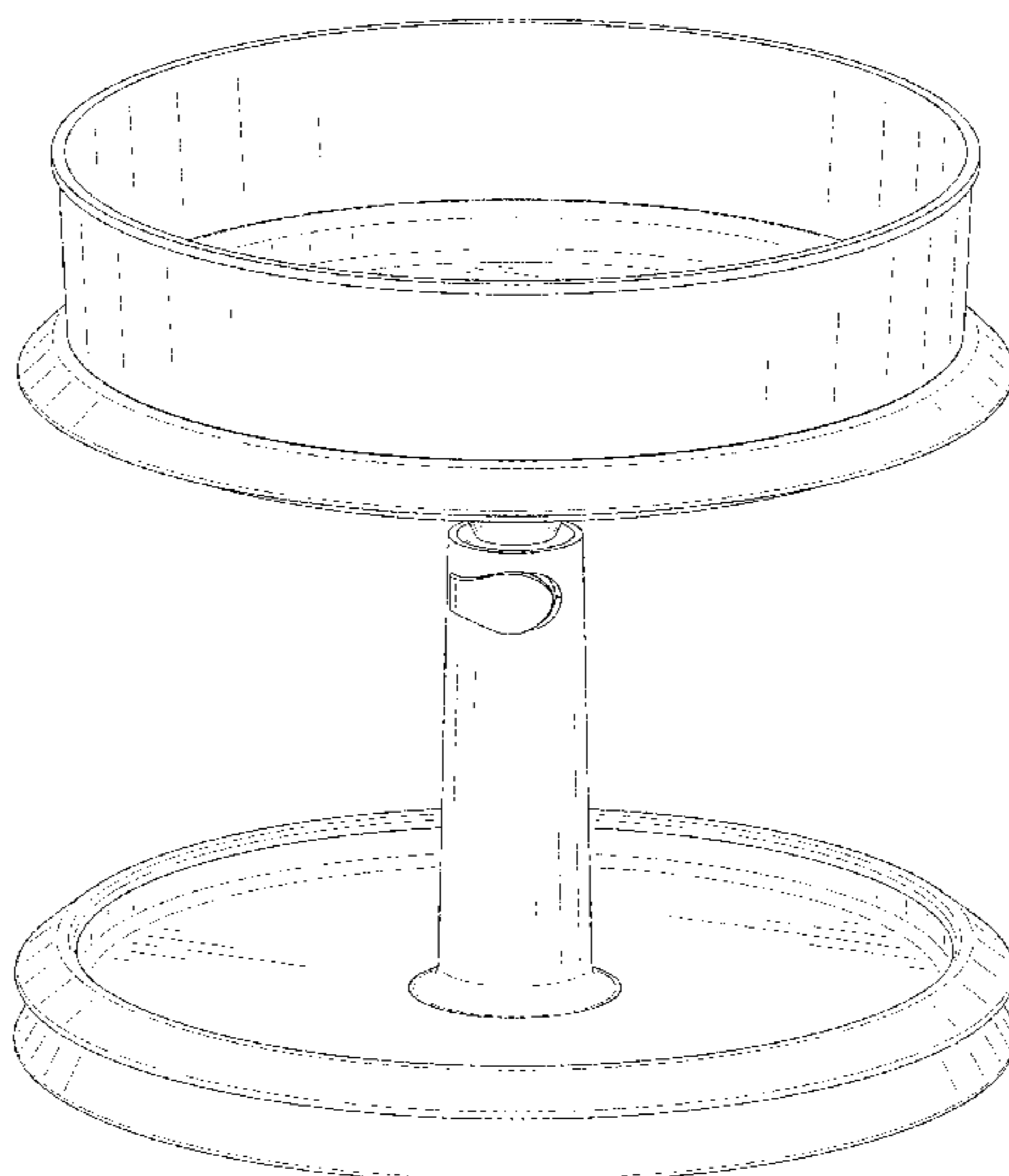
(57) **CLAIM**

The ornamental design for a spice rack, as shown and described.

**DESCRIPTION**

FIG. 1 is a perspective view of a spice rack showing my new design;  
FIG. 2 is another perspective view thereof;  
FIG. 3 is a front elevational view thereof;  
FIG. 4 is a rear elevational view thereof;  
FIG. 5 is a left side elevational view thereof;  
FIG. 6 is a right side elevational view thereof;  
FIG. 7 is a top plan view thereof;  
FIG. 8 is a bottom plan view thereof; and,  
FIG. 9 is a perspective view of the spice rack where the spice rack is in a configuration of use.  
The broken lines in the drawings depict portions of the spice rack that form no part of the claimed design.

**1 Claim, 9 Drawing Sheets**



(56)

**References Cited**

U.S. PATENT DOCUMENTS

D788,584 S \* 6/2017 Chen ..... D9/456  
D793,130 S \* 8/2017 Ellison ..... D6/677.1  
D892,563 S \* 8/2020 Chen ..... D7/600.2  
D915,886 S \* 4/2021 Chen ..... D9/456

\* cited by examiner

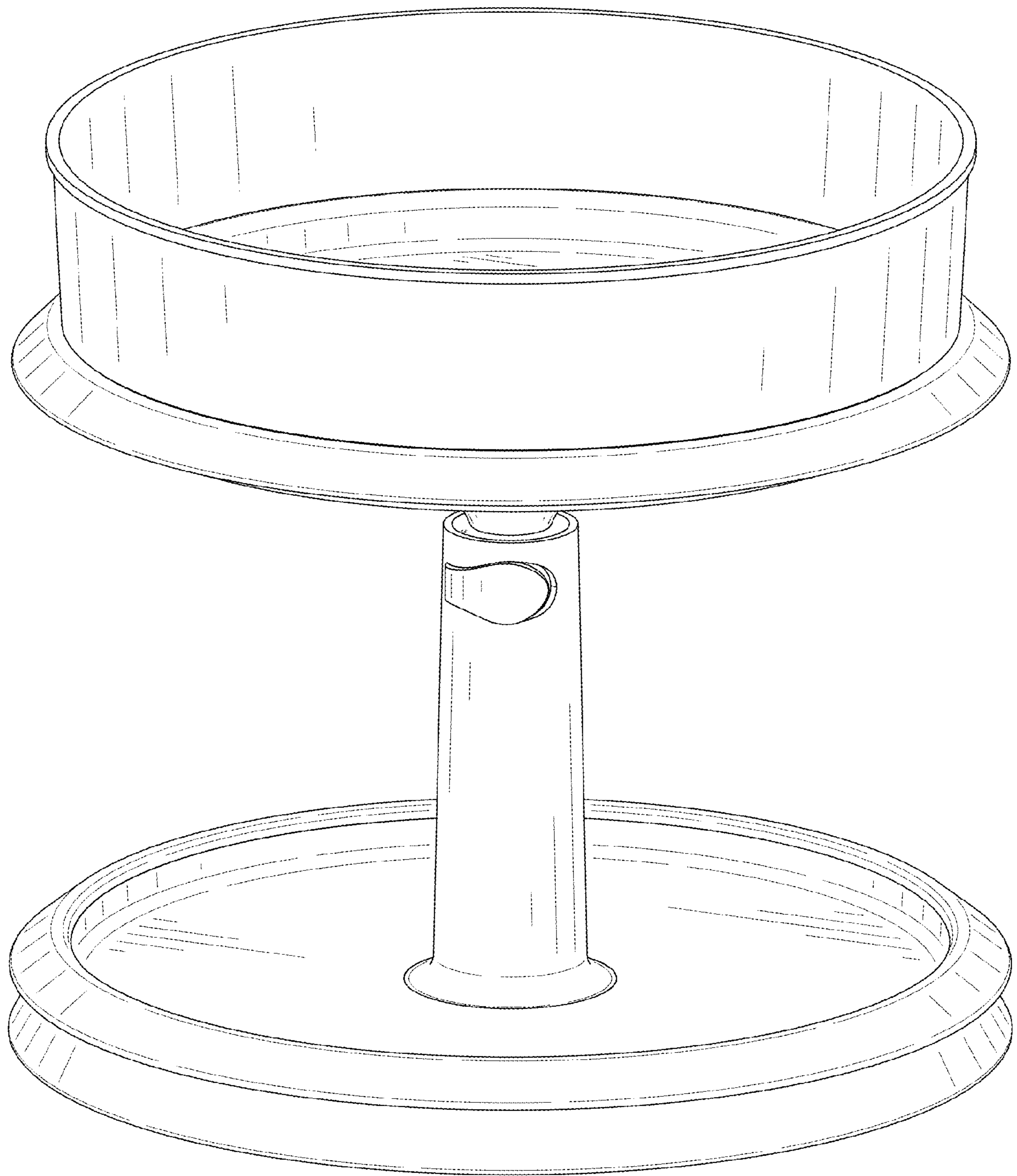


FIG. 1

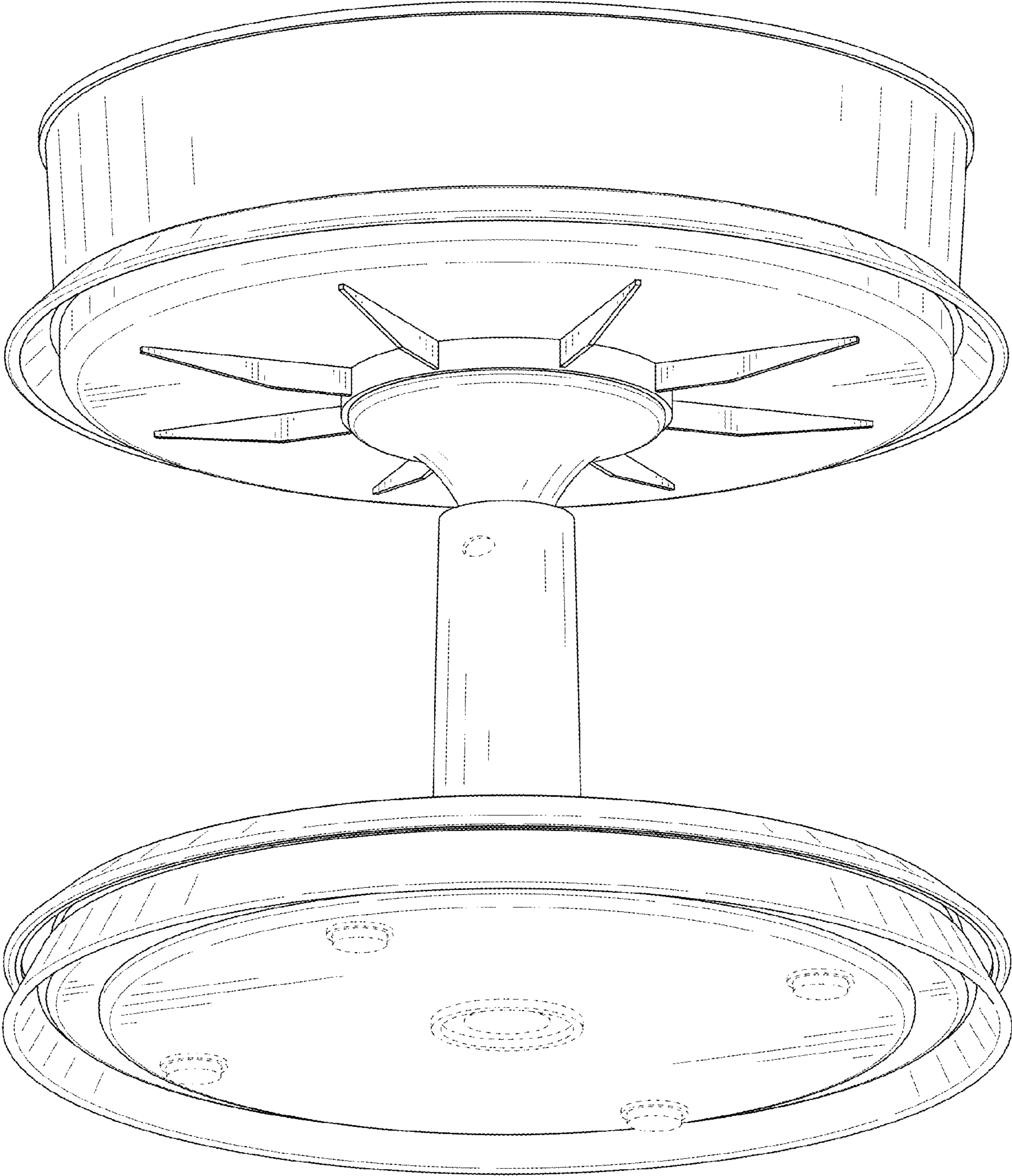


FIG. 2

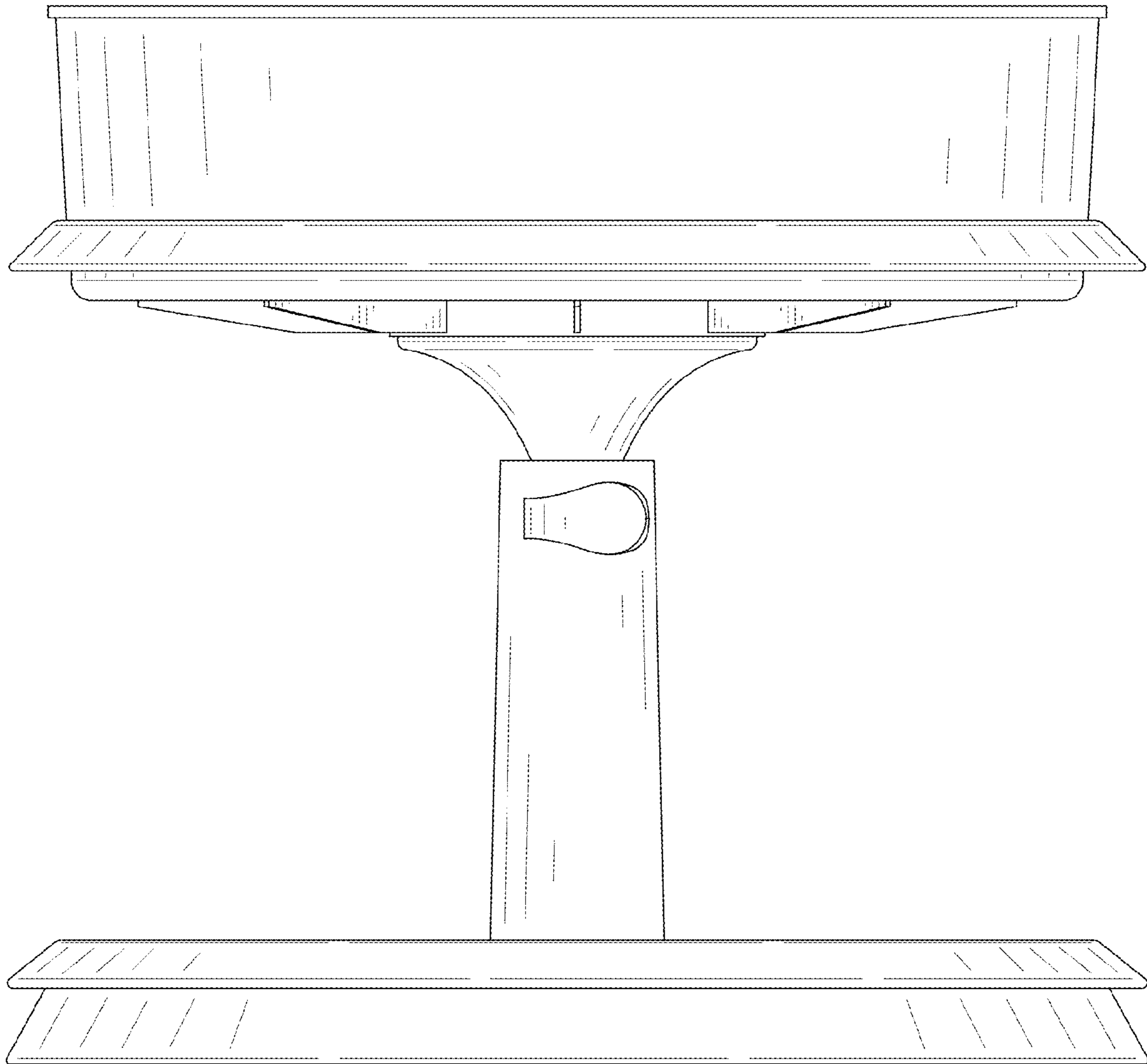


FIG. 3

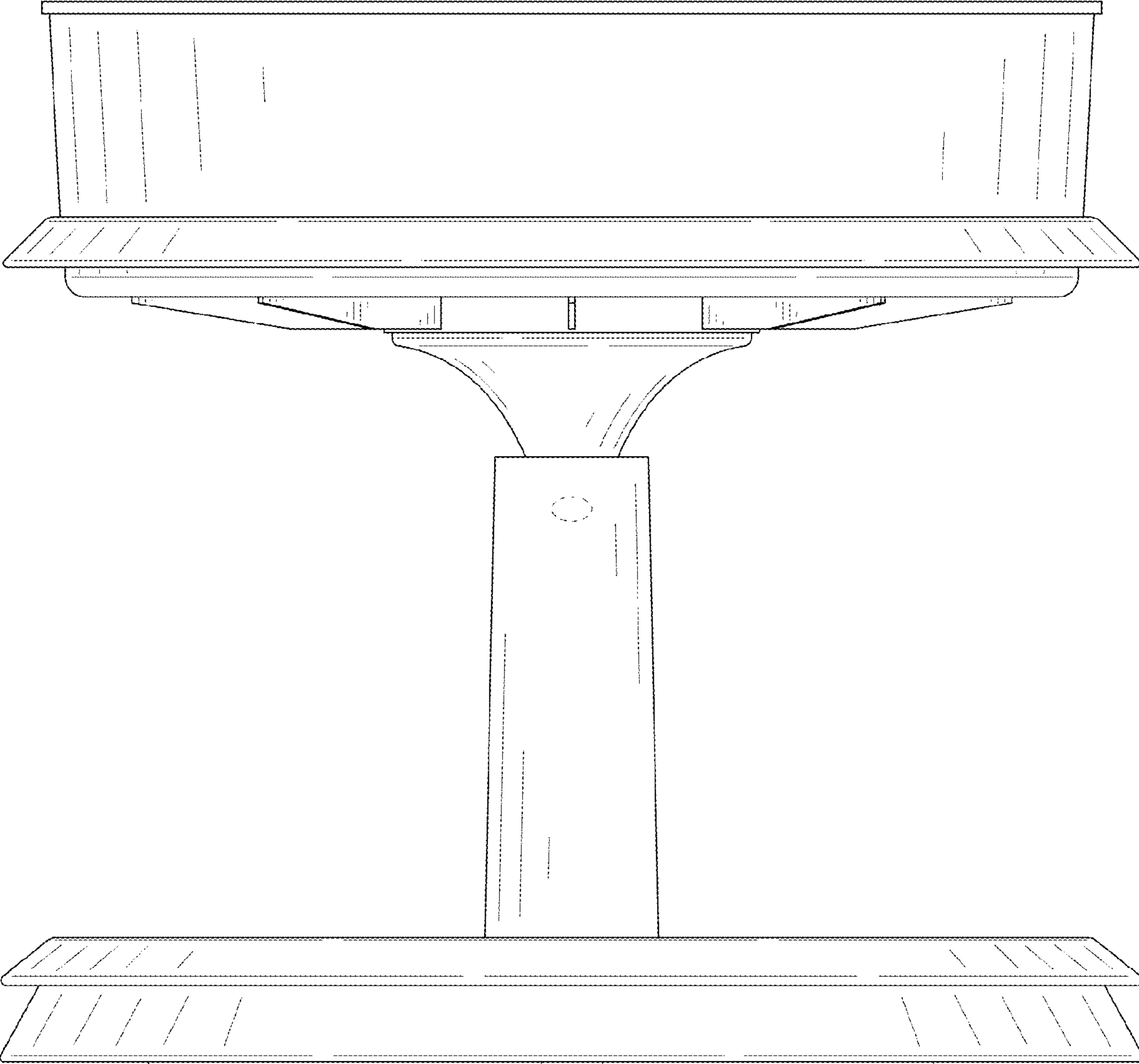


FIG. 4

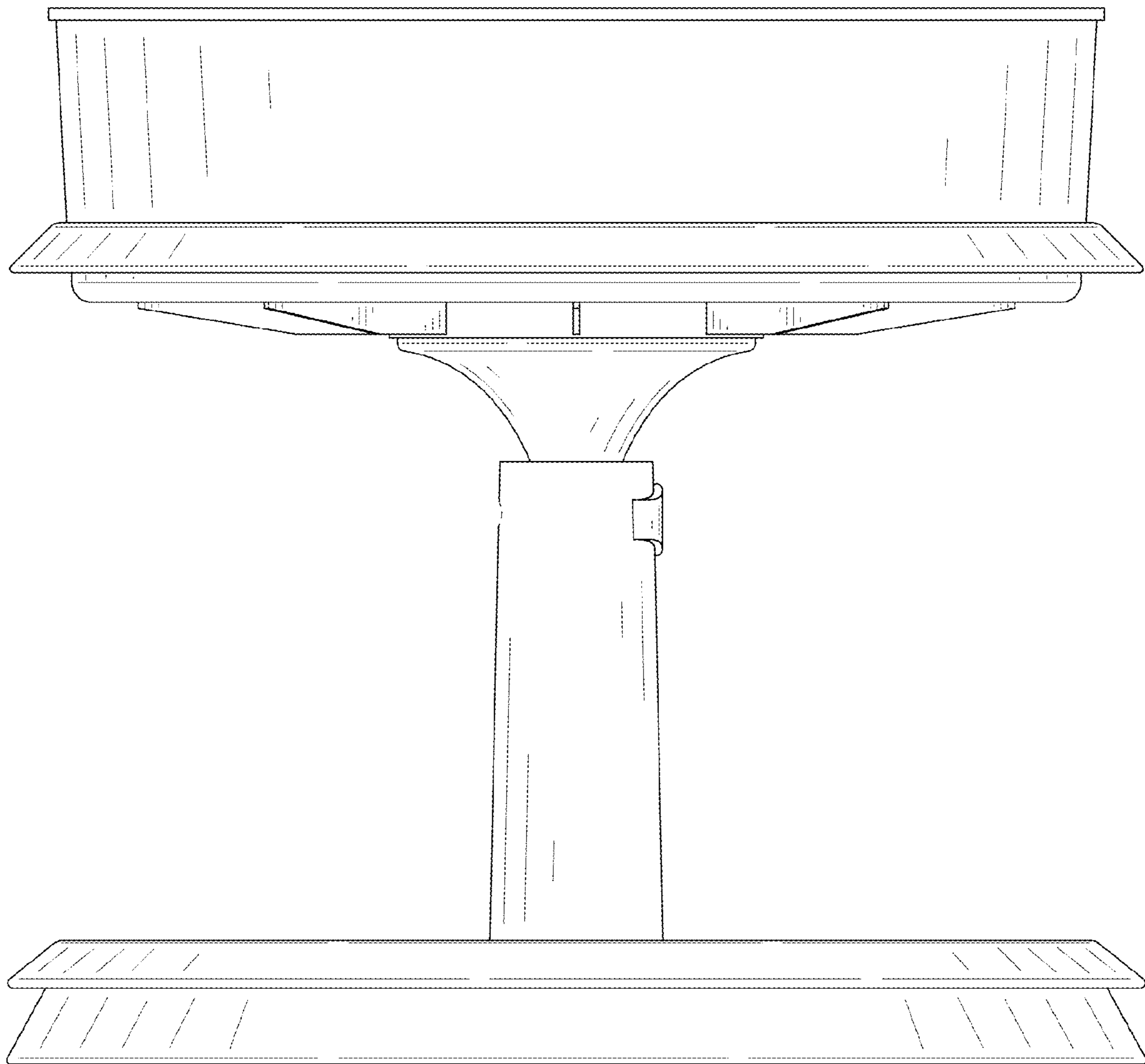


FIG. 5

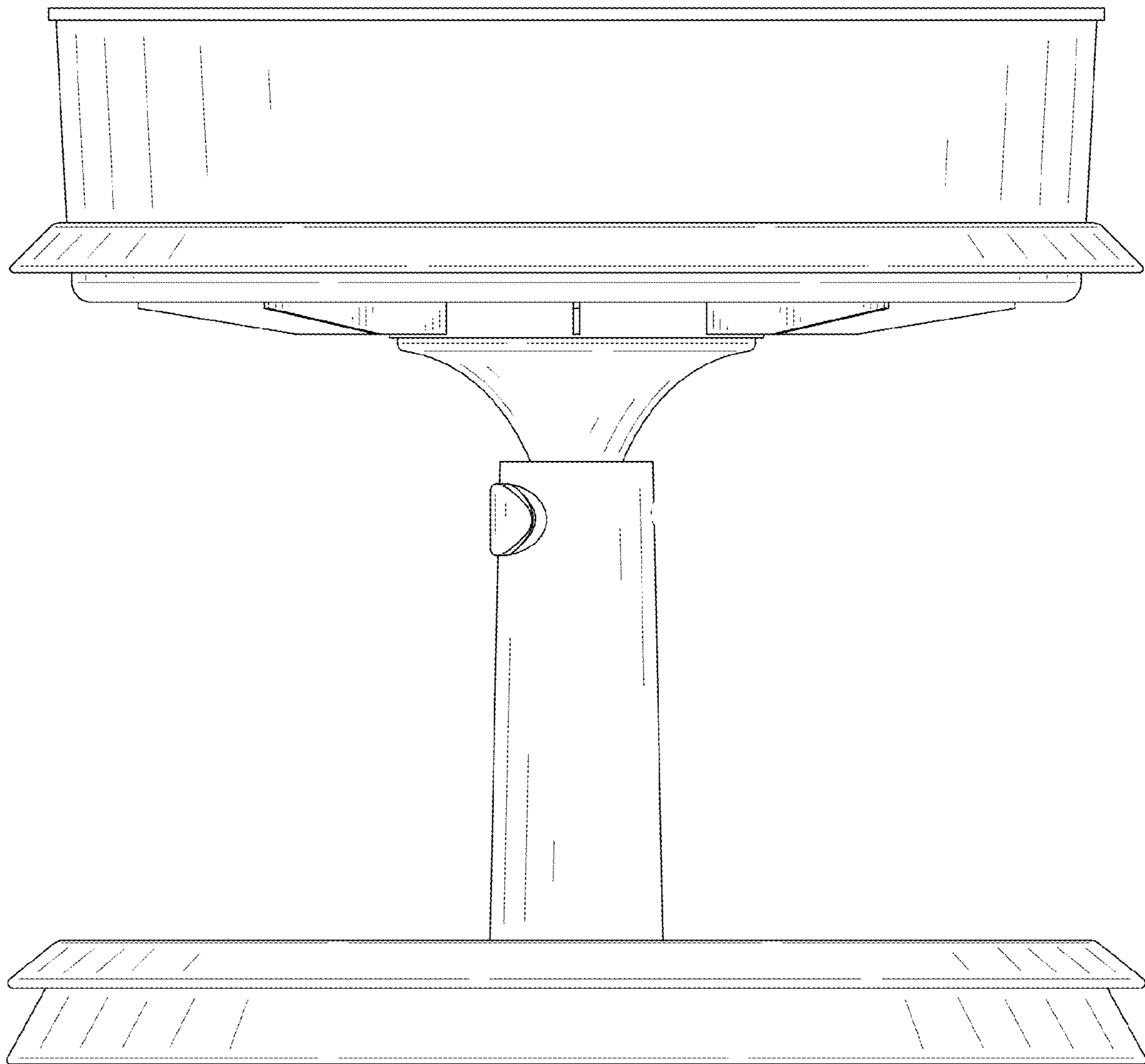


FIG. 6



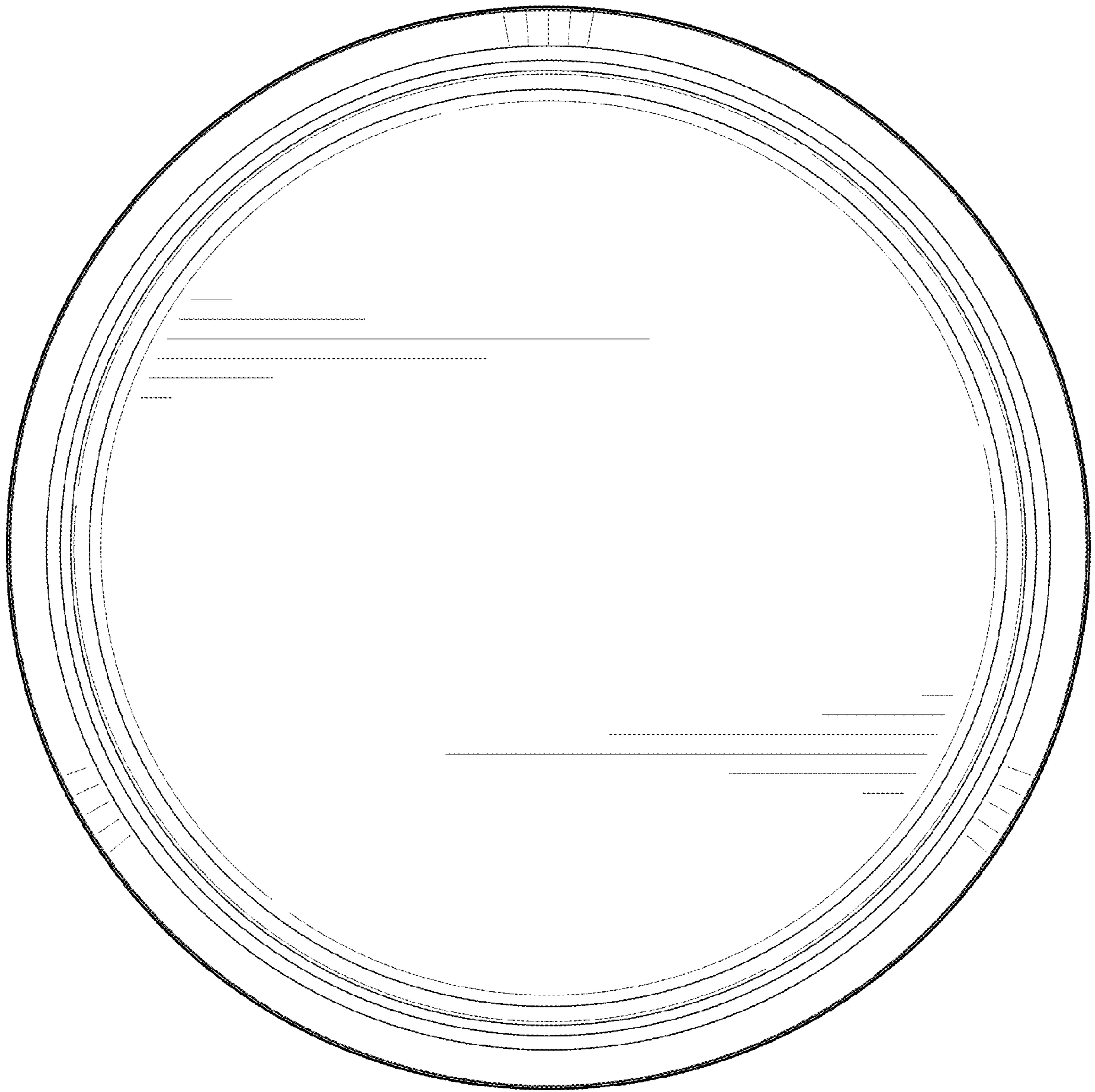


FIG. 7

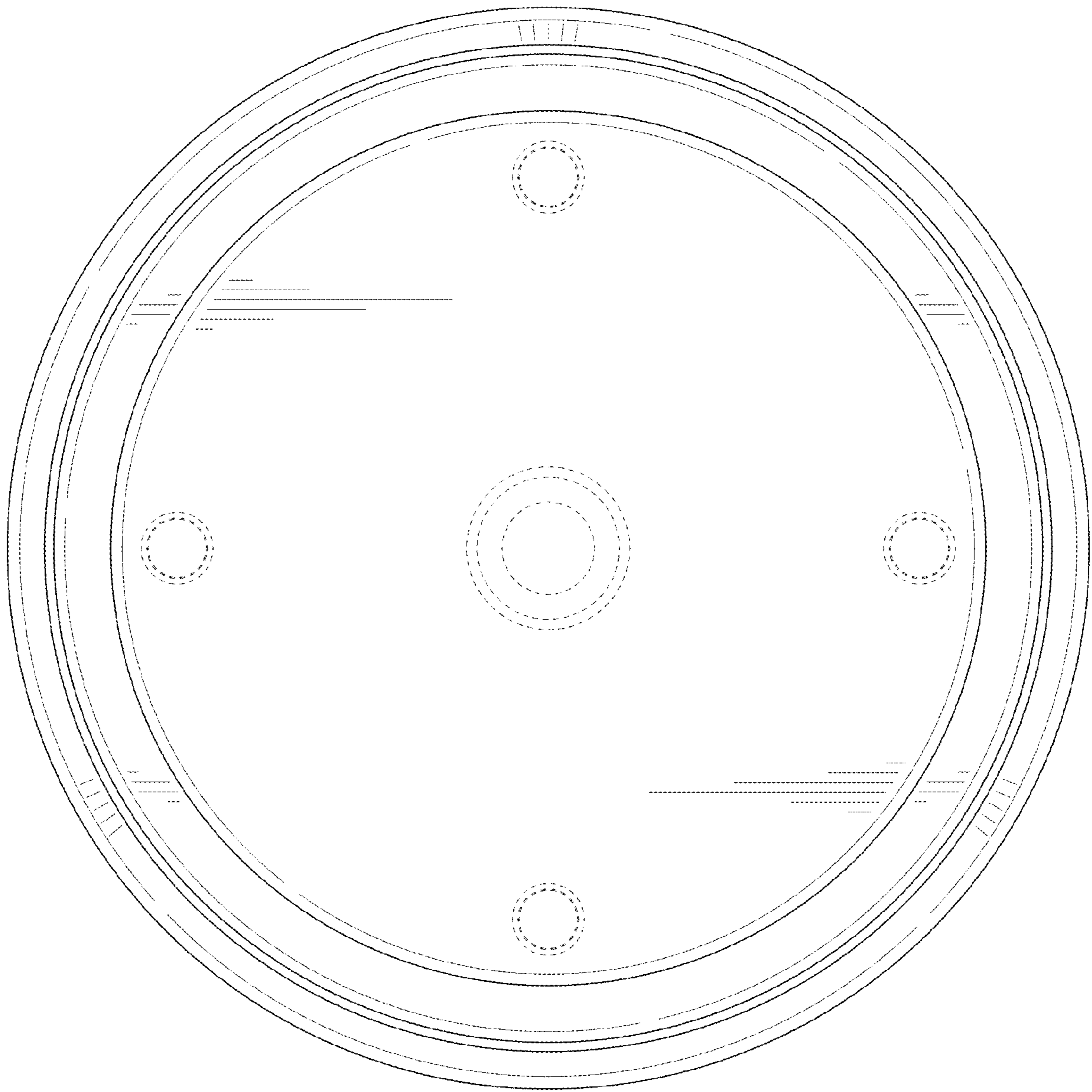


FIG. 8

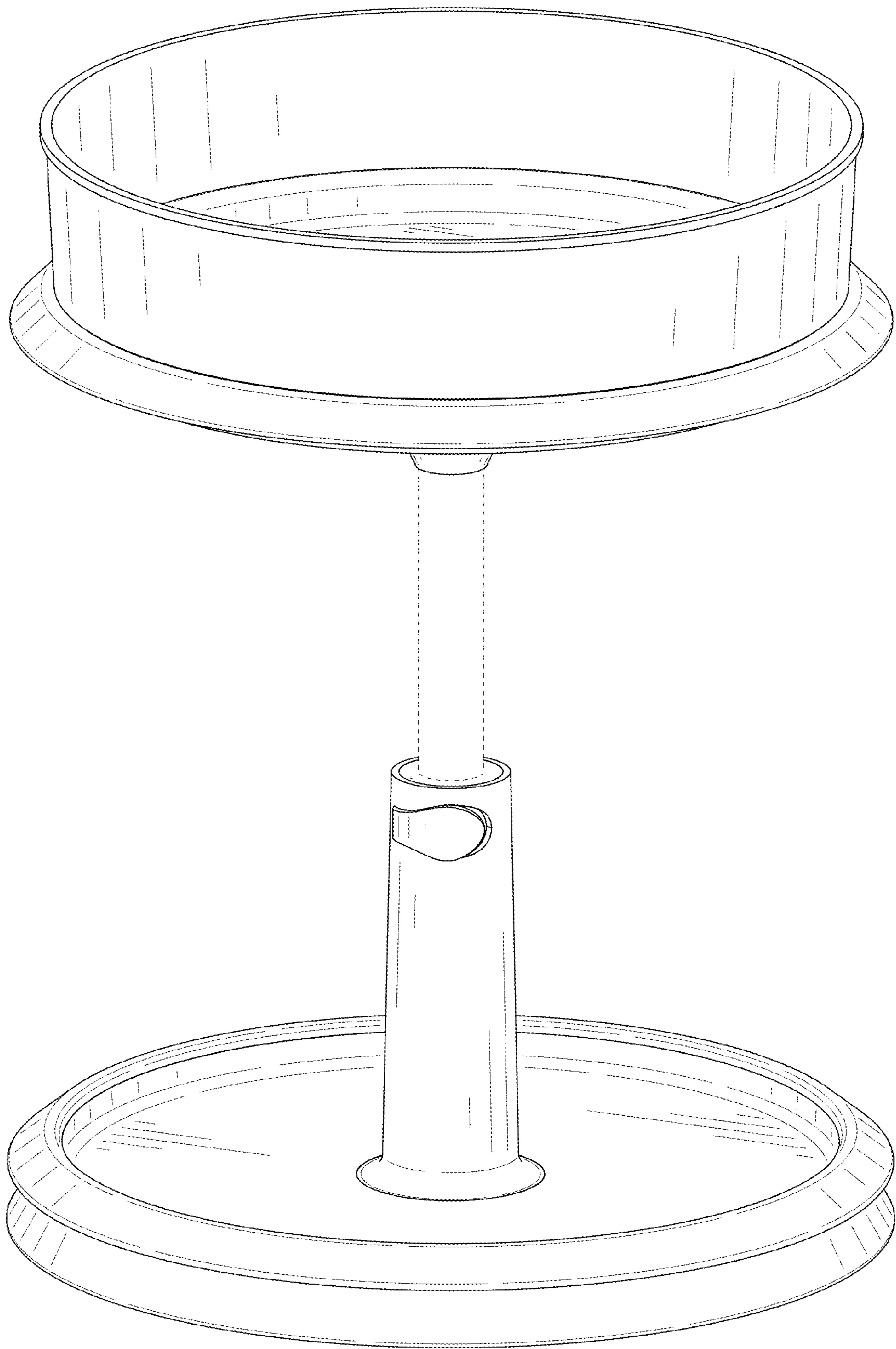


FIG. 9