



US00D925985S

(12) **United States Design Patent** (10) **Patent No.:** **US D925,985 S**  
**Gilmore, III et al.** (45) **Date of Patent:** **\*\* \*Jul. 27, 2021**

(54) **BEVERAGE CONTAINER**

FOREIGN PATENT DOCUMENTS

(71) Applicant: **Leapfrog Product Development LLC**,  
Chicago, IL (US)

WO WO-2017000148 A1 \* 1/2017 ..... A47G 19/22

(72) Inventors: **Glen C. Gilmore, III**, Naperville, IL  
(US); **Micaela K. McCabe**, Chicago,  
IL (US); **Steven N. Pinelli**, Ogden  
Dunes, IN (US); **Derek J. Leatzow**,  
Chicago, IL (US); **Brian M. Clemens**,  
Burnsville, MN (US); **Richard E.**  
**Ellison**, Chicago, IL (US); **Kurtis M.**  
**Sward**, Anna Maria, FL (US)

OTHER PUBLICATIONS

Zojirushi, "Zojirushi SM0SA36RW Stainless Steel Mug," Mar. 16,  
2014, Amazon.ca, www.amazon.ca/-/fr/Zojirushi-SM-SA36RW-  
Stainless-Steel-12-Ounce/dp/B00HYOGTS2 (Year: 2014).\*

(Continued)

(73) Assignee: **Leapfrog Product Development LLC**,  
Chicago, IL (US)

*Primary Examiner* — Shannon W Morgan  
*Assistant Examiner* — Arva P Adams  
(74) *Attorney, Agent, or Firm* — Barnes & Thornburg  
LLP

(\*) Notice: This patent is subject to a terminal dis-  
claimer.

(57) **CLAIM**

We claim the ornamental design for a beverage container, as  
shown and described.

(\*\*) Term: **15 Years**

**DESCRIPTION**

(21) Appl. No.: **29/682,674**

FIG. 1 is a top perspective view of the beverage container  
according to the new design.

(22) Filed: **Mar. 7, 2019**

FIG. 2 is a bottom perspective view of the beverage con-  
tainer shown in FIG. 1.

(51) **LOC (13) Cl.** ..... **07-01**

(52) **U.S. Cl.**

USPC ..... **D7/511**; D7/532; D7/536

FIG. 3 is a front elevation view of the beverage container  
shown in FIG. 1.

(58) **Field of Classification Search**

USPC ..... D7/300.1, 300.2, 392, 392.1, 507, 510,  
D7/511, 523, 532, 536, 592, 624.2, 679;  
206/37; D9/414, 415, 432, 434, 435,  
D9/443, 445, 448, 449, 452, 454, 500,  
D9/501, 502, 503, 504, 517, 526, 527,

FIG. 4 is a rear elevation view of the beverage container  
shown in FIG. 1.

FIG. 5 is a left side elevation view of the beverage container  
shown in FIG. 1.

FIG. 6 is a right side elevation view of the beverage  
container shown in FIG. 1.

FIG. 7 is a top plan view of the beverage container shown  
in FIG. 1; and,

FIG. 8 is a bottom plan view of the beverage container  
shown in FIG. 1.

The broken lines in the drawings illustrate portions of the  
beverage container that form no part of the claimed design.

(Continued)

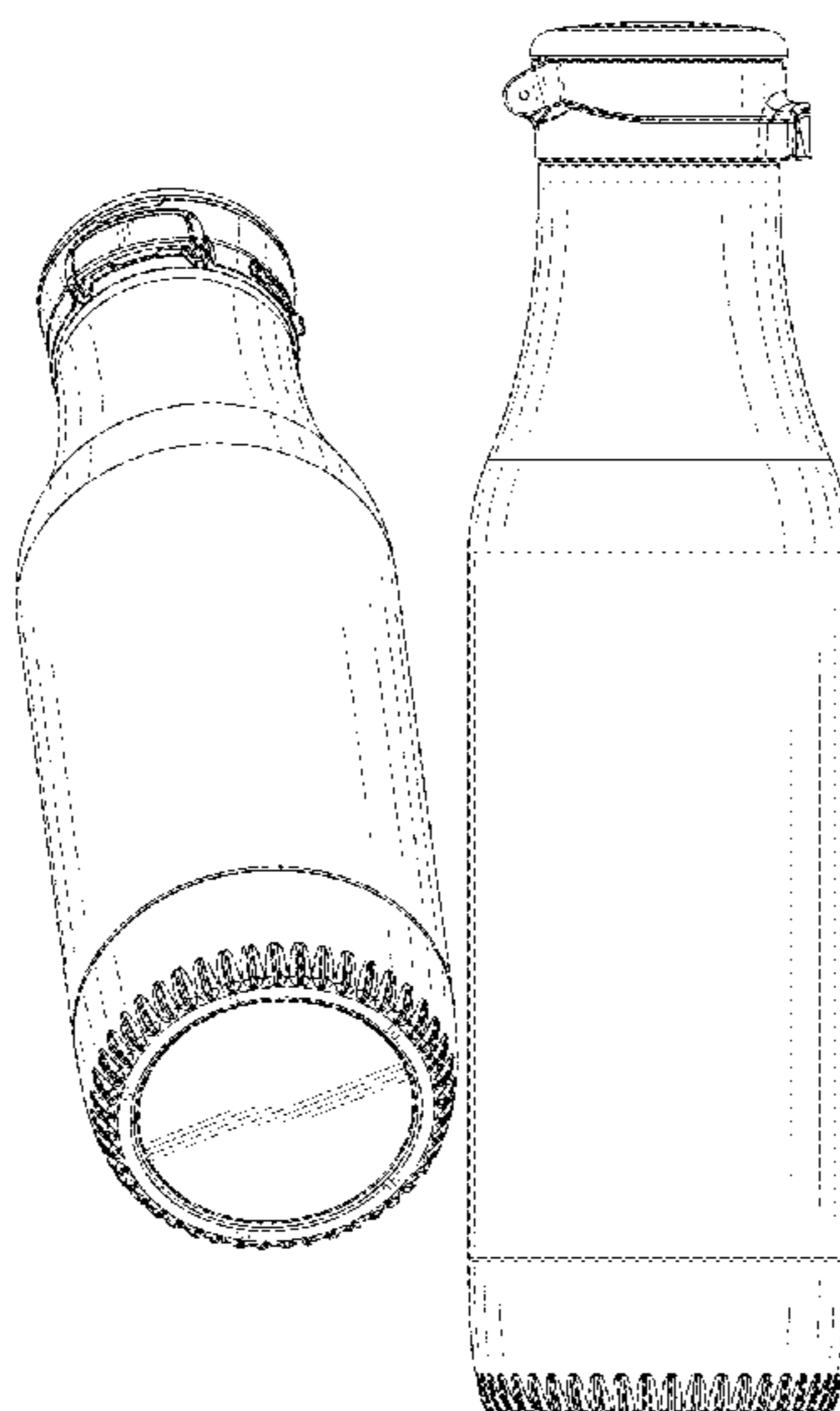
(56) **References Cited**

U.S. PATENT DOCUMENTS

D364,810 S 12/1995 Meisner  
D471,455 S 3/2003 Laveault et al.

(Continued)

**1 Claim, 8 Drawing Sheets**



(58) **Field of Classification Search**

USPC ..... D9/529, 530, 541, 553, 591, 608, 683,  
 D9/688, 754; D24/121; D14/191;  
 D28/88, 89, 91, 91.1; 220/509, 568, 705,  
 220/708, 710; D3/202, 203.2, 294, 318  
 CPC ..... A45C 11/00; A45C 11/34; B65D 41/04;  
 B65D 1/02; B65D 47/265; B65D 51/247;  
 B65D 77/283; A47G 19/2205; A47G  
 19/065; A47J 43/27; A45F 5/021; A61J  
 1/00; A61J 1/1412

See application file for complete search history.

(56) **References Cited**

U.S. PATENT DOCUMENTS

D485,132 S	1/2004	Ohno et al.	
D505,294 S	5/2005	Gauss	
D508,185 S	8/2005	Gauss	
D515,357 S	2/2006	Ward et al.	
D528,862 S	9/2006	Li	
D533,061 S	12/2006	Li	
D564,841 S *	3/2008	Clemens	D7/509
D579,722 S	11/2008	Sakulsacha et al.	
D581,727 S	12/2008	Pinelli et al.	
D592,456 S	5/2009	Pinelli et al.	
D592,905 S	5/2009	Pinelli et al.	
D592,913 S *	5/2009	Pinelli	D7/510
7,546,933 B2	6/2009	Pinelli	
D596,460 S *	7/2009	Nezu	D7/510
D609,964 S	2/2010	Lane	
D624,362 S *	9/2010	Wahl	D7/510
D629,653 S *	12/2010	Gullickson	D7/510
D639,660 S *	6/2011	Carreno	D9/504
D643,249 S *	8/2011	Miller	D7/510
7,997,442 B2	8/2011	Pinelli	
D655,580 S *	3/2012	Kotani	D7/608
D656,787 S *	4/2012	Phillips	D7/510
D658,445 S *	5/2012	Carreno	D7/510
D660,704 S *	5/2012	Simmons	D9/504
D661,945 S	6/2012	Eyal	
D675,060 S	1/2013	Lane	
8,360,267 B1	1/2013	Chiou et al.	
D682,034 S *	5/2013	El-Saden	D7/510
D686,871 S	7/2013	Lane	
D686,872 S *	7/2013	Lane	D7/392.1
D690,557 S *	10/2013	Carreno	D7/510
D693,629 S	11/2013	Miller	
D693,630 S	11/2013	Hurley et al.	
8,579,133 B2	11/2013	Marcus et al.	
8,590,731 B2	11/2013	Pinelli	
D696,130 S *	12/2013	Zabari	D9/529
D700,012 S	2/2014	Hurley et al.	
D700,802 S *	3/2014	Miller	D7/392.1
D700,808 S *	3/2014	Eyal	D7/510
D721,276 S *	1/2015	Herbst	D9/449
D724,896 S *	3/2015	Williams	D7/511
8,978,906 B2	3/2015	Feeley et al.	
D725,966 S *	4/2015	Boroski	D7/511
D739,183 S	9/2015	Lane	
D747,147 S *	1/2016	Sanbar	D7/510
9,266,643 B2	2/2016	Marcus et al.	
D758,189 S	6/2016	Roth et al.	
D758,790 S	6/2016	Boroski	
D761,058 S *	7/2016	Ou	D7/510
D778,117 S *	2/2017	Du	D7/608
D780,578 S	3/2017	Lane et al.	
D785,402 S	5/2017	Shirley et al.	
D790,279 S *	6/2017	Izen	D7/523
D793,804 S	8/2017	Herbst et al.	
D794,453 S *	8/2017	Boroski	D9/449
D795,011 S *	8/2017	Pisarevsky	D7/510
D799,898 S	10/2017	Yao	
D800,556 S *	10/2017	McGreevy	D9/448

D802,993 S	11/2017	Joseph et al.	
D804,903 S *	12/2017	Mason	D7/510
D804,904 S	12/2017	Noveletsky et al.	
D808,220 S	1/2018	Bums et al.	
D809,384 S	2/2018	Best et al.	
D812,428 S *	3/2018	Wu	D7/510
D814,398 S	4/2018	Yasunaga	
D817,713 S	5/2018	Lin	
D818,767 S	5/2018	Nezu	
D818,768 S *	5/2018	Joseph	D7/396.2
D821,136 S	6/2018	Silsby et al.	
D821,137 S	6/2018	Boroski	
D821,815 S	7/2018	Chung	
D822,427 S	7/2018	Sorensen et al.	
D831,425 S *	10/2018	Best	D7/510
D831,433 S	10/2018	Fleischhut	
D835,939 S	12/2018	Yee et al.	
D839,044 S	1/2019	Potter et al.	
D841,398 S *	2/2019	Gauss	D7/511
D842,652 S *	3/2019	Huang	D7/507
D848,787 S	5/2019	Tatsukawa et al.	
D849,481 S *	5/2019	Washburn	D7/510
D851,996 S *	6/2019	Umholtz	D7/510
D853,181 S	7/2019	Stanton	
D853,784 S	7/2019	Wu	
D857,456 S *	8/2019	Bell	D7/511
D865,457 S	11/2019	Kotani	
D869,230 S	12/2019	Hao	
D870,509 S	12/2019	Bo	
D885,836 S *	6/2020	Wang	D7/510
2011/0089059 A1	4/2011	Lane et al.	
2012/0312832 A1	12/2012	Lane	
2014/0339177 A1	11/2014	Lane	
2015/0282654 A1	10/2015	Kurabe et al.	
2017/0253394 A1 *	9/2017	Fogarty	A45F 3/16
2017/0297785 A1	10/2017	Maruyama et al.	
2020/0071027 A1 *	3/2020	Lane	B65D 47/088

OTHER PUBLICATIONS

Zojirushi, "Zojirushi Stainless Steel Mug 16-Ounce," Oct. 3, 2017, Amazon.com, [www.amazon.com/Zojirushi-SM-SD48NM-Stainless-Steel-16-Ounce/dp/B0746B2Z84](http://www.amazon.com/Zojirushi-SM-SD48NM-Stainless-Steel-16-Ounce/dp/B0746B2Z84) (Year: 2017).\*

Ezvid Wiki, "Thermo Tank Insulated," Mar. 31, 2017, YouTube.com, [www.youtube.com/watch?v=49Ao9wXLOpw](http://www.youtube.com/watch?v=49Ao9wXLOpw) (Year: 2017).\*

Ello Products, "Earth Day," Apr. 18, 2018, Facebook.com, [www.facebook.com/ElloProducts/photos/a.753323724689903/1794568307232101](http://www.facebook.com/ElloProducts/photos/a.753323724689903/1794568307232101) (Year: 2018).\*

Ello, "Ello Max Bouteille," Jul. 15, 2018, Amazon.ca, [www.amazon.ca/www.amazon.ca/dp/B07DHXD622](http://www.amazon.ca/www.amazon.ca/dp/B07DHXD622) (Year: 2018).\*

Ello Products, "Ello-Riley Stainless Steel Water Bottle," Jan. 24, 2018, Facebook.com, [www.facebook.com/watch/?v=1698970780125188](http://www.facebook.com/watch/?v=1698970780125188) (Year: 2018).\*

Elo Products, "Riley 28oz Stainless Steel Bottle," Mar. 29, 2018, Facebook.com, [www.facebook.com/75268564753712/videos/1773553209333611](http://www.facebook.com/75268564753712/videos/1773553209333611) (Year: 2018).\*

Ello, "Ello Riley 510,3 gram Thermos en acier inoxydable Bouteille," Mar. 30, 2018, Amazon.ca, [www.amazon.ca/dp/B079ZBD9R4](http://www.amazon.ca/dp/B079ZBD9R4) (Year: 2018).\*

Ello, "Ello Riley 510,3 gram Thermos en acier inoxydable Bouteille d'eau avec fond amovible," Oct. 6, 2018, Amazon.ca, [www.amazon.ca/dp/B07HB937DV](http://www.amazon.ca/dp/B07HB937DV) (Year: 2018).\*

Ello, "Ello Pip 12oz Stainless Steel Kids Water Bottle with Removable Base," Feb. 20, 2019, Amazon.com, [www.amazon.com/Ello-Stainless-Bottle-Removable-Tropic/dp/B07PND2FHC](http://www.amazon.com/Ello-Stainless-Bottle-Removable-Tropic/dp/B07PND2FHC) (Year: 2019).\*

Ello, "Ello Riley Bouteille," Jan. 23, 2019, Amazon.ca, [www.amazon.ca/-/fr/Ello-Vacuum-Insulated-Stainless-Bottle/dp/B07JGCVBZ6](http://www.amazon.ca/-/fr/Ello-Vacuum-Insulated-Stainless-Bottle/dp/B07JGCVBZ6) (Year: 2019).\*

Ello, "Ello Roscoe with Campy Pack Portable Drinkware Stainless Steel Thermo," Jan. 16, 2019, [www.amazon.ca/Ello-Roscoe-Portable-Drinkware-Stainless/dp/B07MF9YR9D](http://www.amazon.ca/Ello-Roscoe-Portable-Drinkware-Stainless/dp/B07MF9YR9D) (Year: 2019).\*

\* cited by examiner

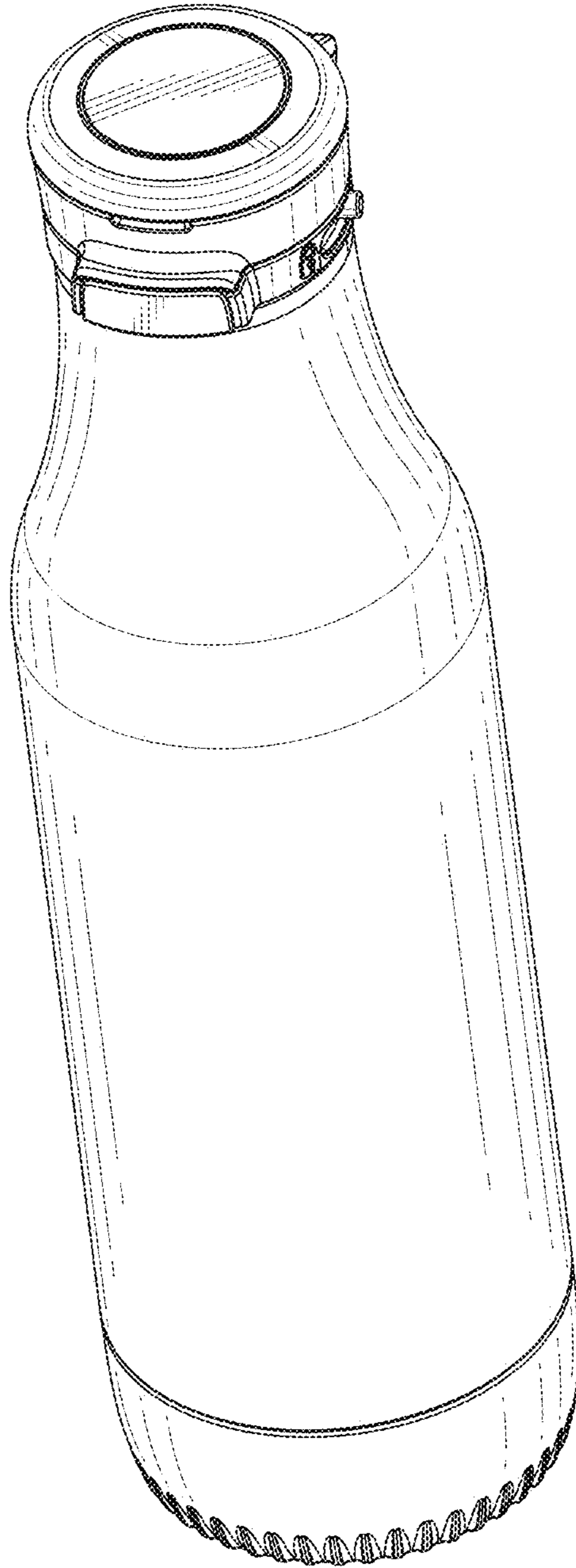


FIG. 1

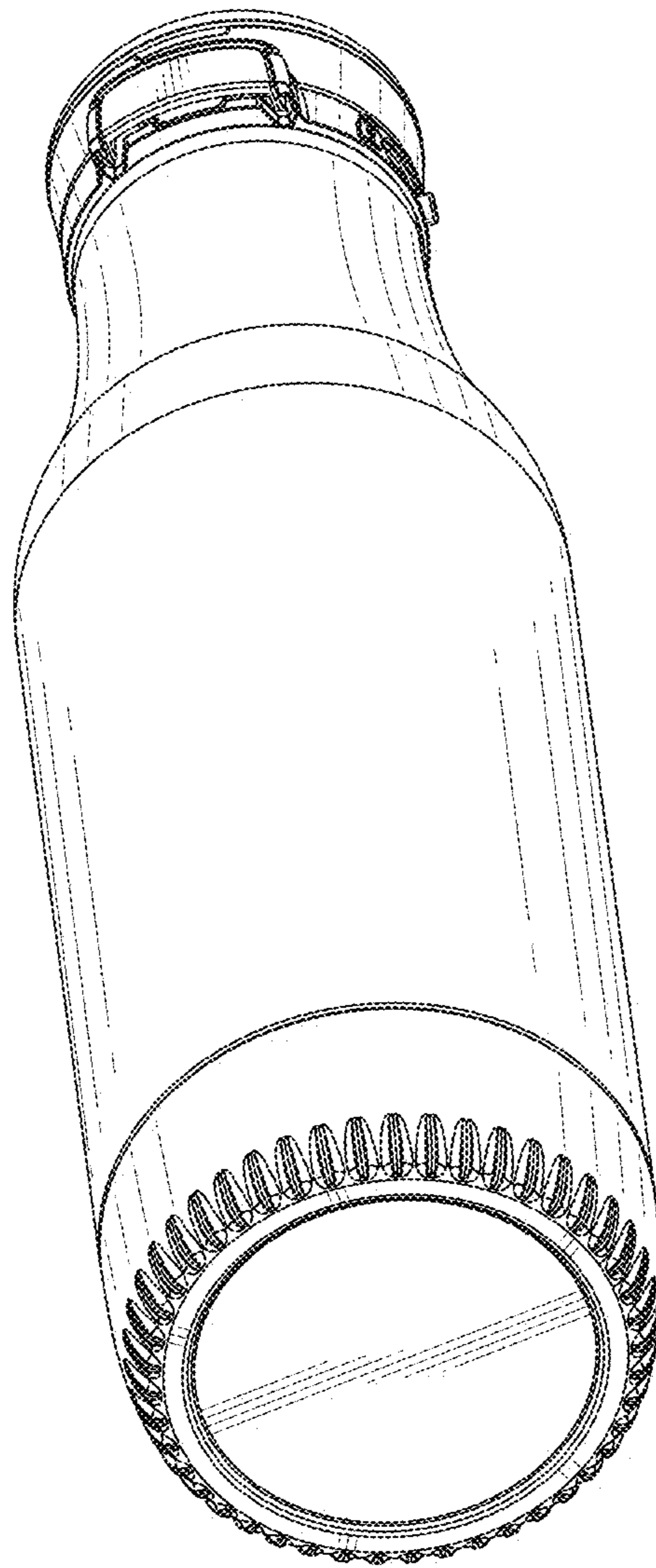


FIG. 2

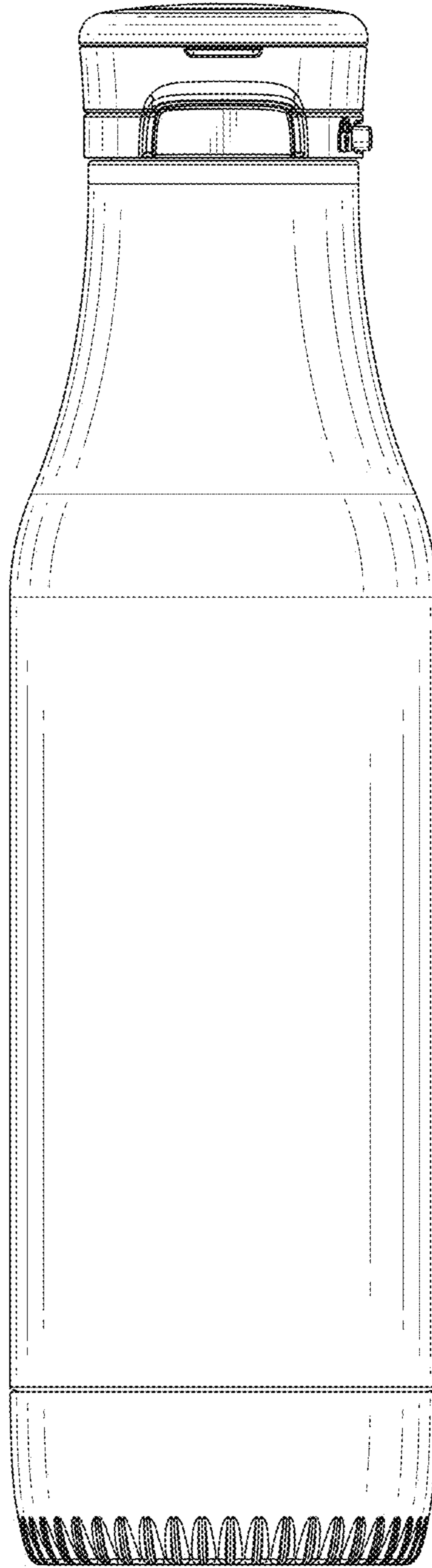


FIG. 3

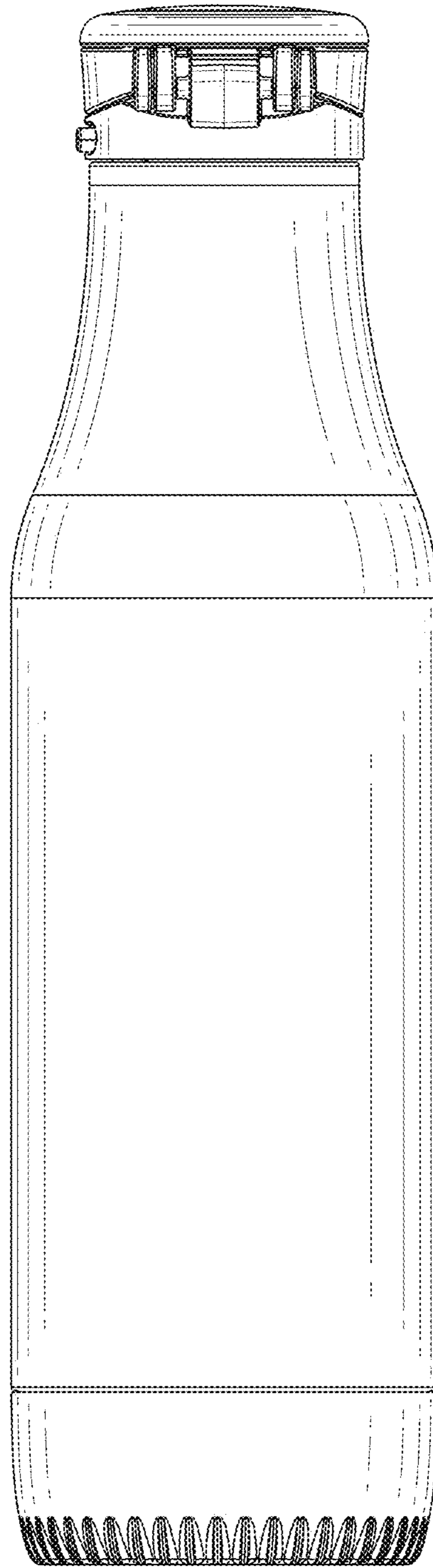


FIG. 4

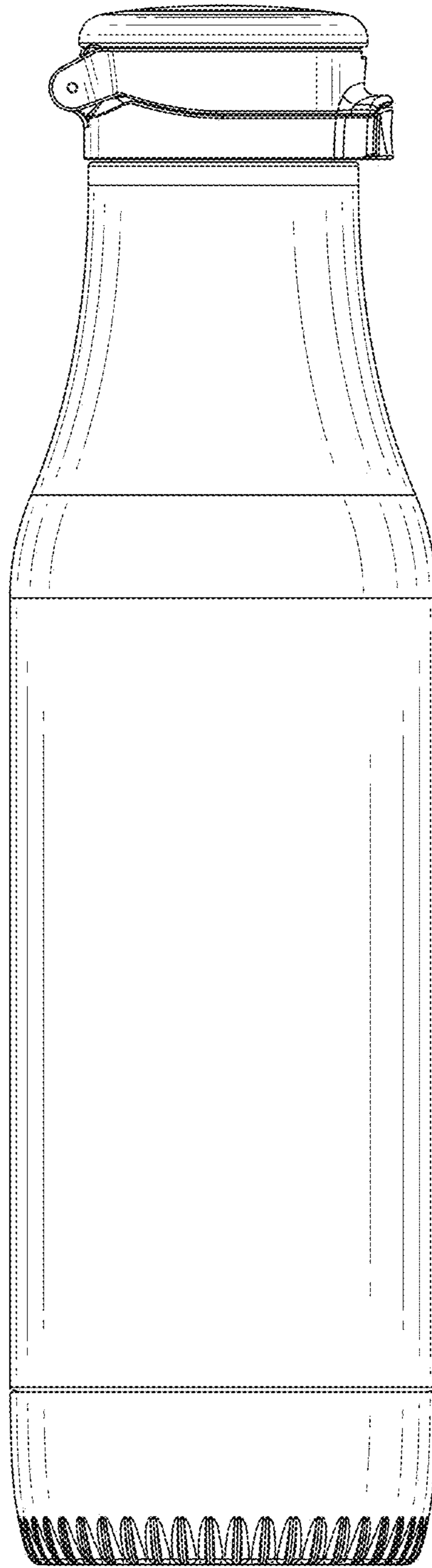


FIG. 5

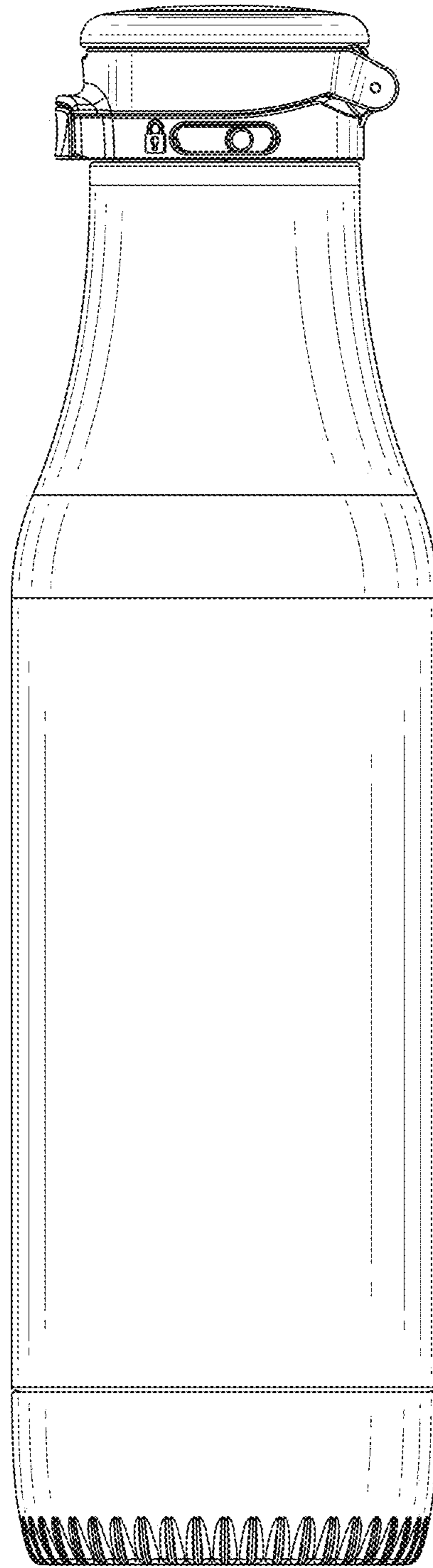


FIG. 6



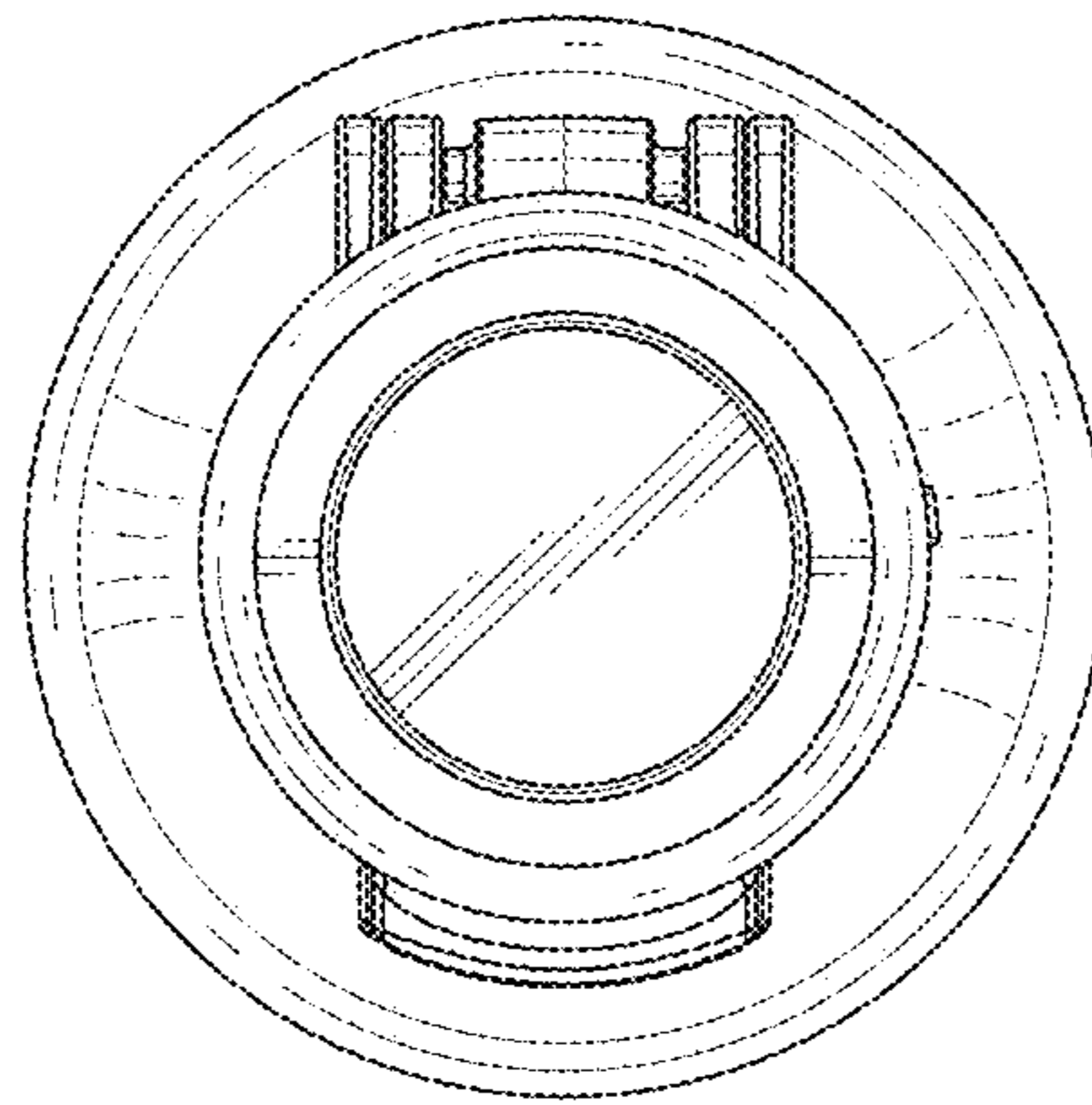


FIG. 7

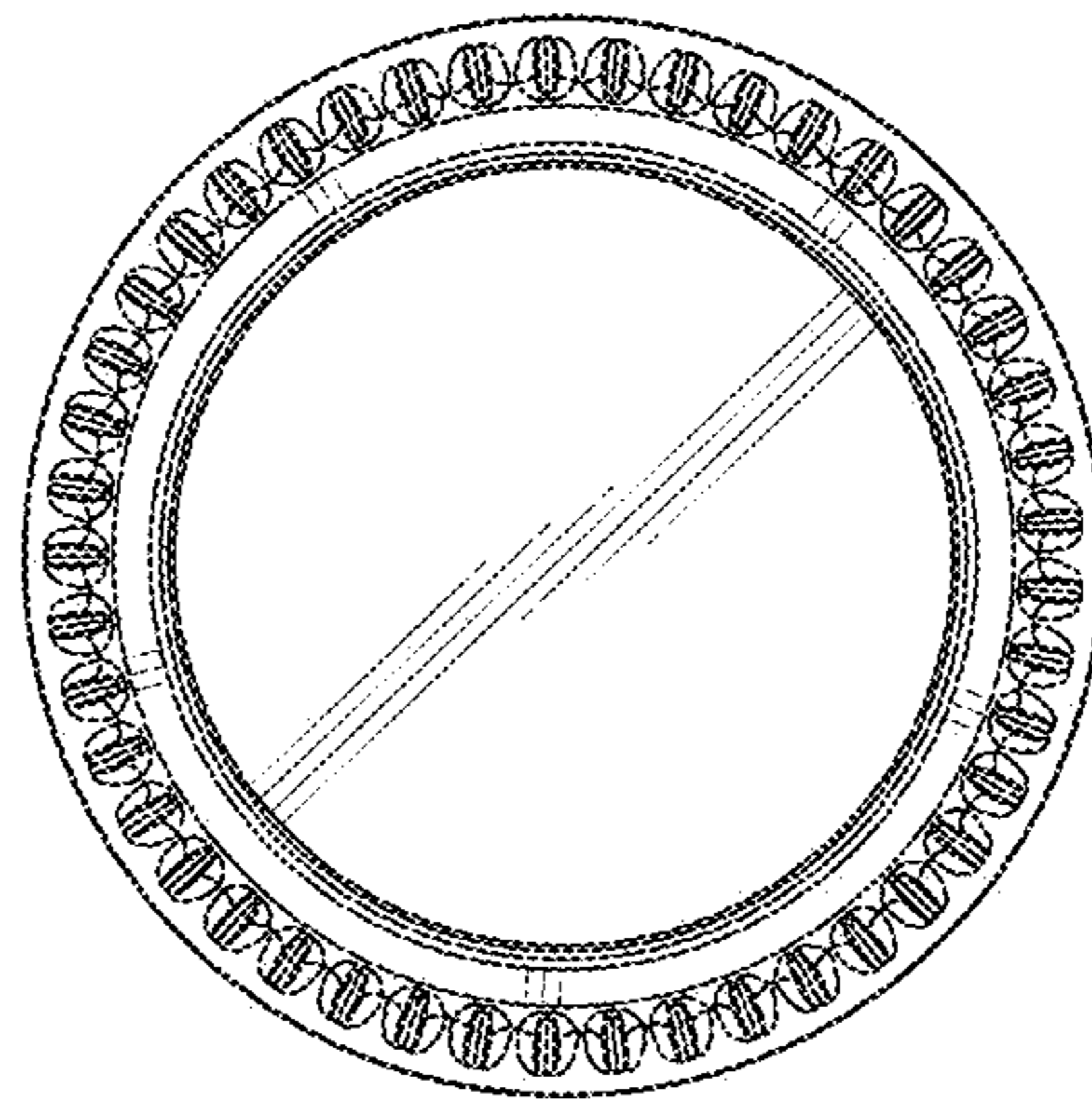


FIG. 8