



US00D925983S

(12) **United States Design Patent**
Han

(10) **Patent No.:** **US D925,983 S**

(45) **Date of Patent:** **** Jul. 27, 2021**

(54) **CAKE TURNTABLE**

(71) Applicants: **Shenzhen Yuannian Times Technology Co., Ltd.**, Shenzhen (CN); **Lirong Han**, Guangdong (CN)

(72) Inventor: **Lirong Han**, Guangdong (CN)

(**) Term: **15 Years**

(21) Appl. No.: **29/763,476**

(22) Filed: **Dec. 22, 2020**

(51) **LOC (13) Cl.** **07-01**

(52) **U.S. Cl.**

USPC **D7/501**; D7/558; D7/610; D9/455

(58) **Field of Classification Search**

USPC D9/414, 434, 435, 439, 440, 441, D9/443-445, 447-455, 456, 499, 501, D9/503-505, 516, 517, 529, 682, 685, D9/686; D7/387, 391, 392, 392.1, 396.1, D7/396.2, 396.4, 403, 507, 509-511, 538, D7/629, 900, 388, 500, 501, 550.1, 554.2, D7/558, 566, 610; D3/202, 203.2, 294, D3/318; D28/91, 91.1; D6/677

CPC .. A61J 1/00; A61J 1/1412; B65D 1/00; B65D 1/02; B65D 1/10; B65D 1/46; B65D 5/46; B65D 41/00; B65D 41/38; B65D 41/56; B65D 41/62; B65D 47/00; B65D 47/06; B65D 47/08; B65D 2251/00; B65D 2543/00046; B65D 2543/00092; B65D 2543/00296; A47G 19/00

See application file for complete search history.

(56) **References Cited**

U.S. PATENT DOCUMENTS

D38,140 S * 7/1906 Paurowicz D7/558
D102,967 S * 1/1937 Daum D7/501
D240,343 S * 6/1976 Moore, Jr. D6/692.3
D272,215 S * 1/1984 Daenen D7/558

D312,756 S * 12/1990 Crisci D7/610
D441,258 S * 5/2001 Spiegelman D7/501
D507,933 S * 8/2005 Carmichael D7/558
D556,516 S * 12/2007 Dien D7/500
D636,637 S * 4/2011 Lupkes D7/558
8,550,014 B1 * 10/2013 Mariani A47G 19/00
108/150
D788,584 S * 6/2017 Chen D9/456
D839,671 S * 2/2019 Greenwood D7/501
D853,788 S * 7/2019 Zeng
D871,857 S * 1/2020 Carey D7/610
D883,036 S * 5/2020 Liao D7/558
D898,488 S * 10/2020 Chen D6/677

* cited by examiner

Primary Examiner — Wendy L Arminio

(57) **CLAIM**

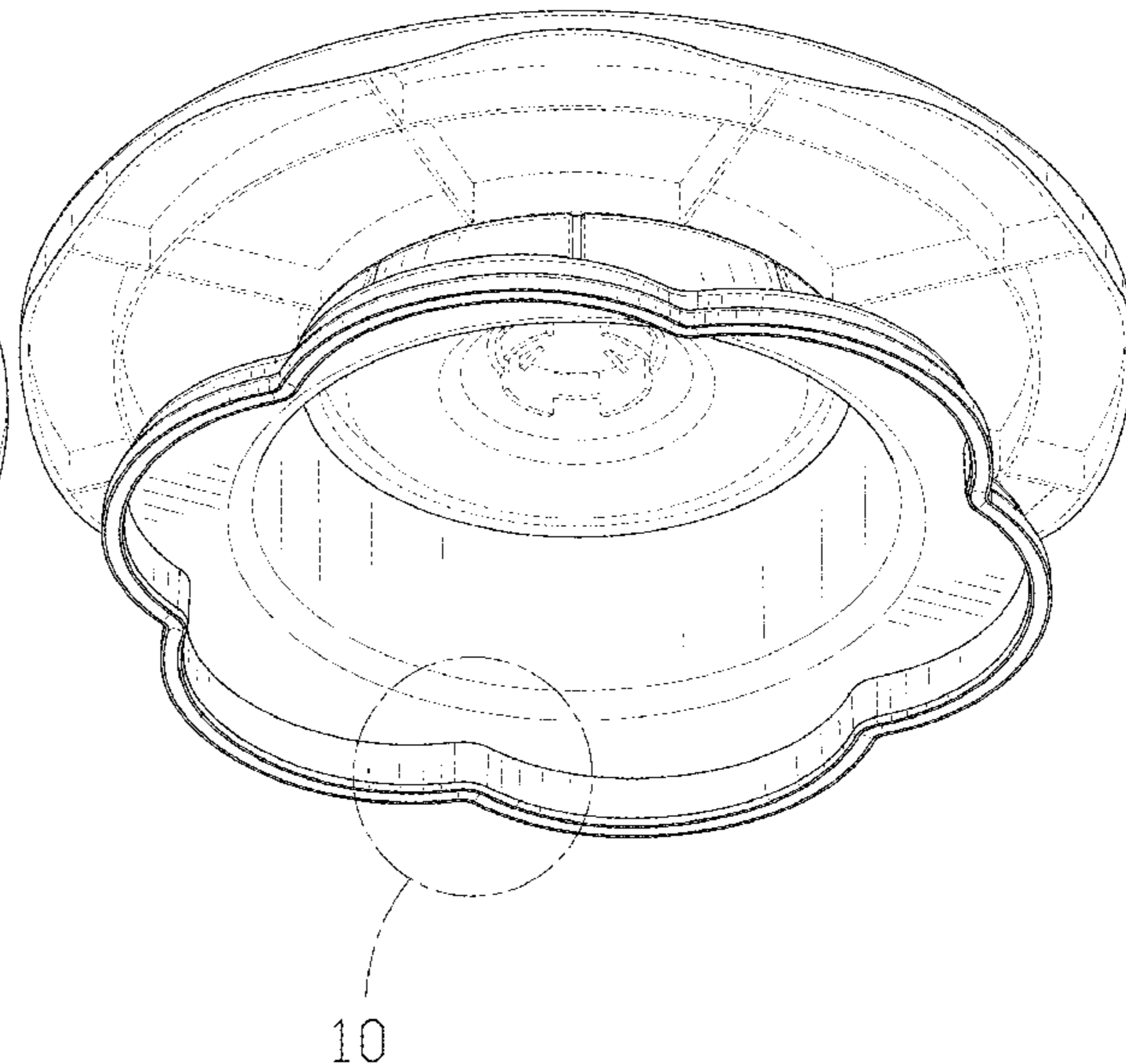
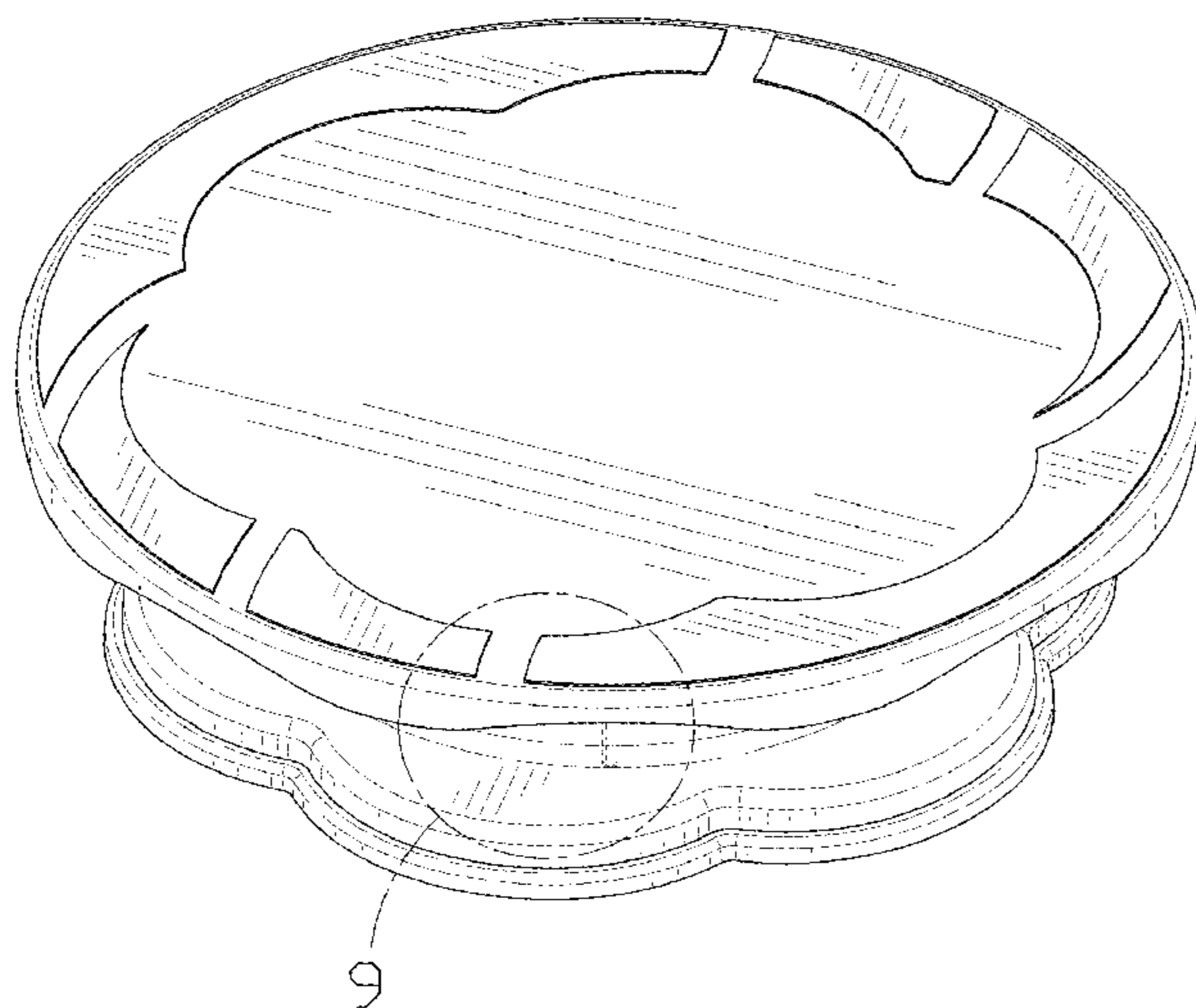
The ornamental design for a cake turntable, as shown and described.

DESCRIPTION

FIG. 1 is a front and top perspective view of a cake turntable, showing my new design;
FIG. 2 is a rear and bottom perspective view thereof;
FIG. 3 is a front elevational view thereof;
FIG. 4 is a rear elevational view thereof;
FIG. 5 is a left side elevational view thereof;
FIG. 6 is a right side elevational view thereof;
FIG. 7 is a top plan view thereof;
FIG. 8 is a bottom plan view thereof;
FIG. 9 is an enlarged detail view of area 9 circumscribed within FIGS. 1; and,
FIG. 10 is an enlarged detail view of area 10 circumscribed within FIG. 2.

The dash-dot-dash broken lines circumscribing the areas of the details in FIGS. 1 and 2 and surrounding FIGS. 9 and 10 denote the boundaries of the enlarged detail views and form no part of the claimed design.

1 Claim, 10 Drawing Sheets



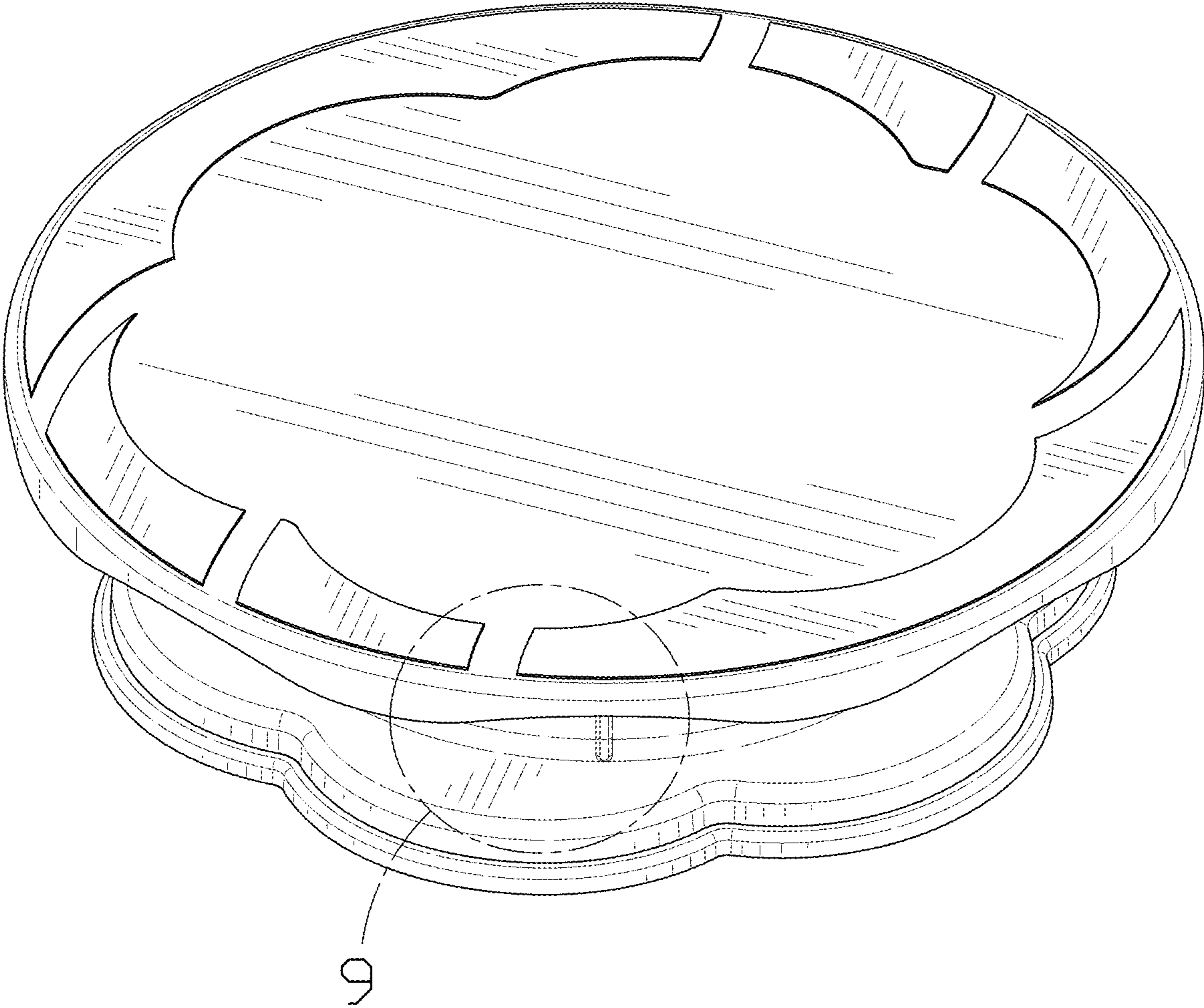


FIG. 1

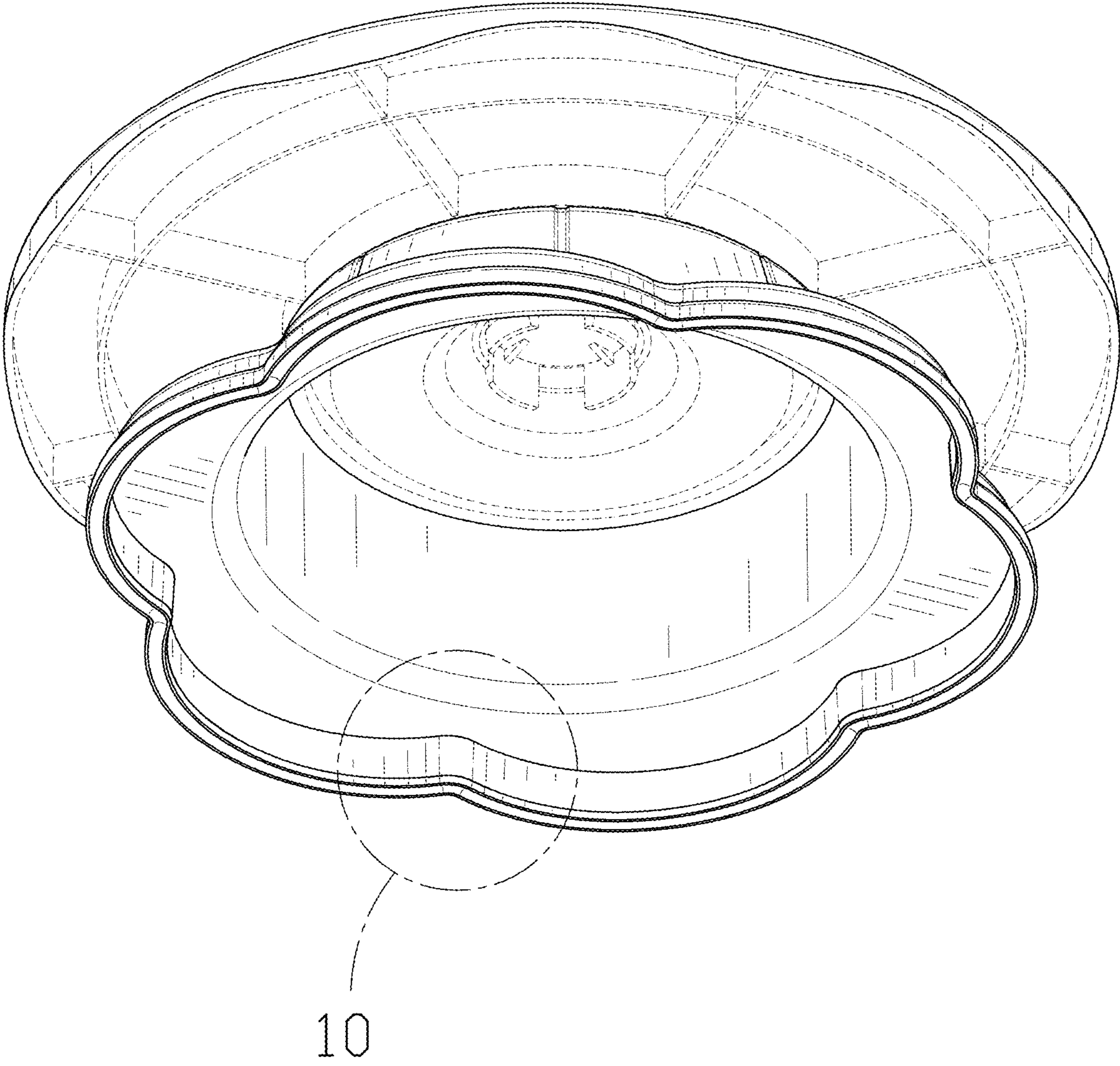


FIG. 2

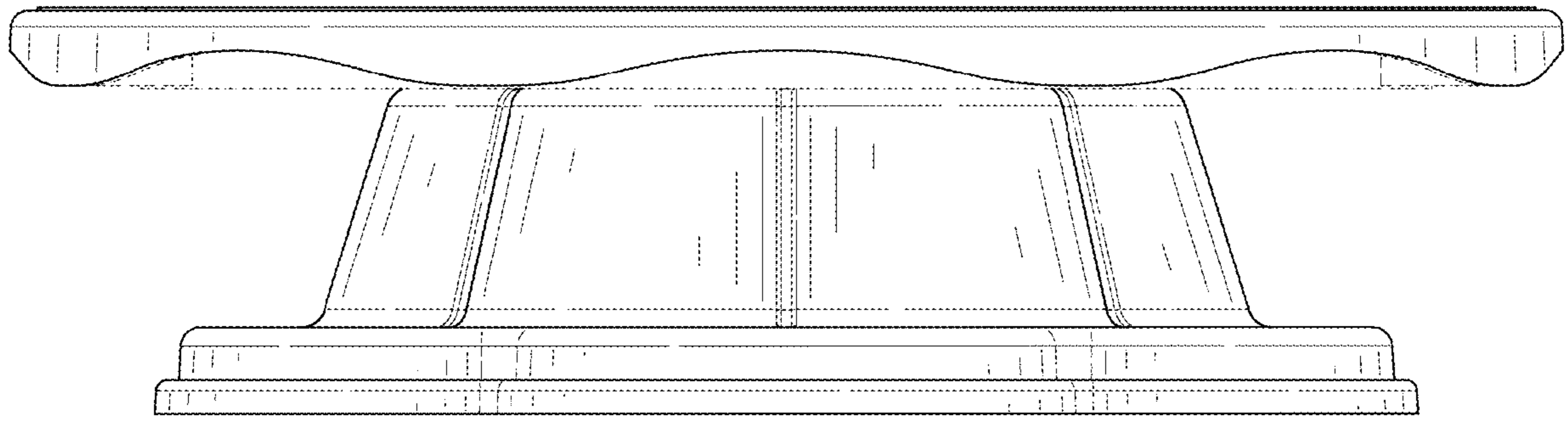


FIG. 3

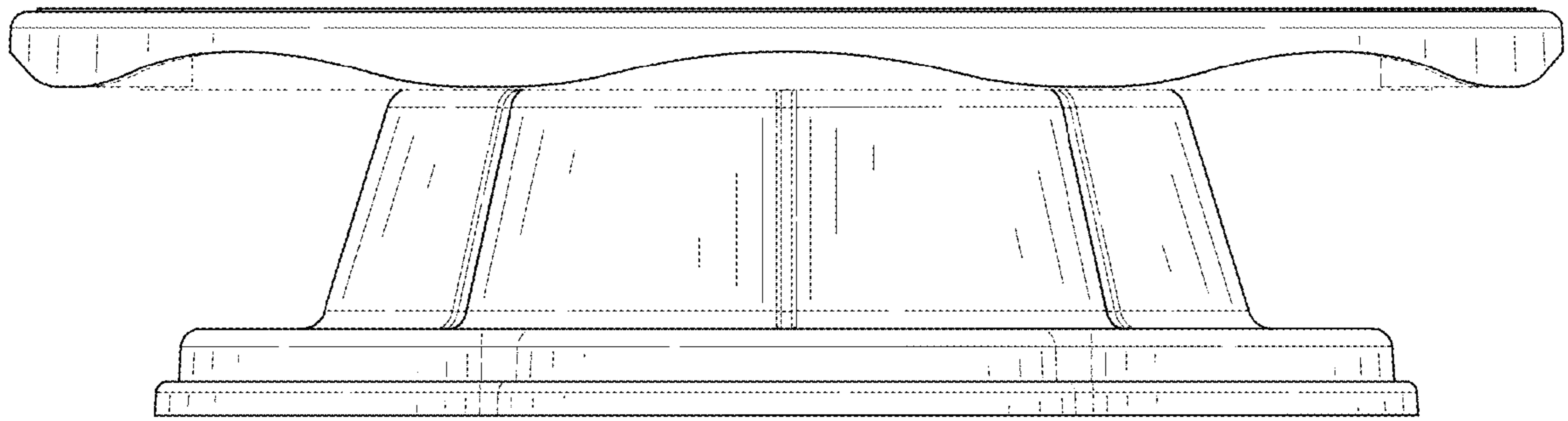


FIG. 4

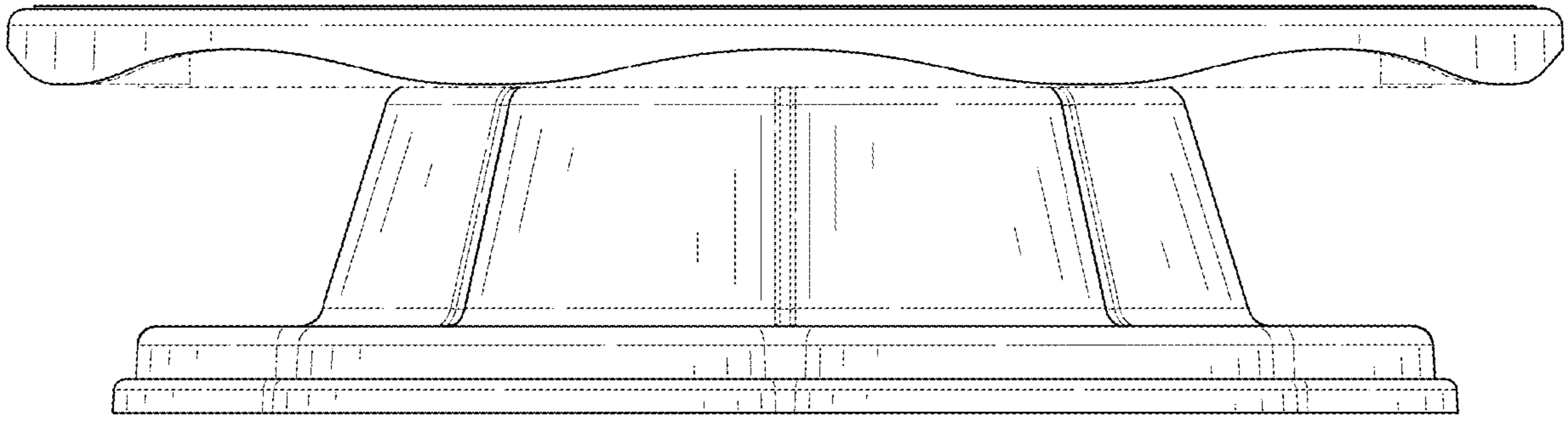


FIG. 5

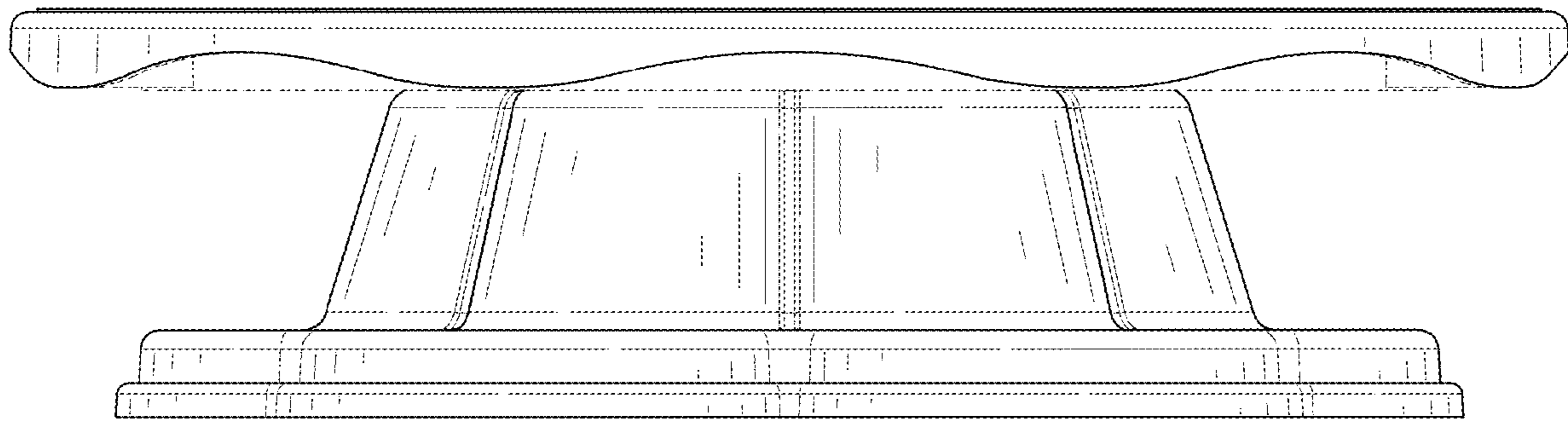


FIG. 6

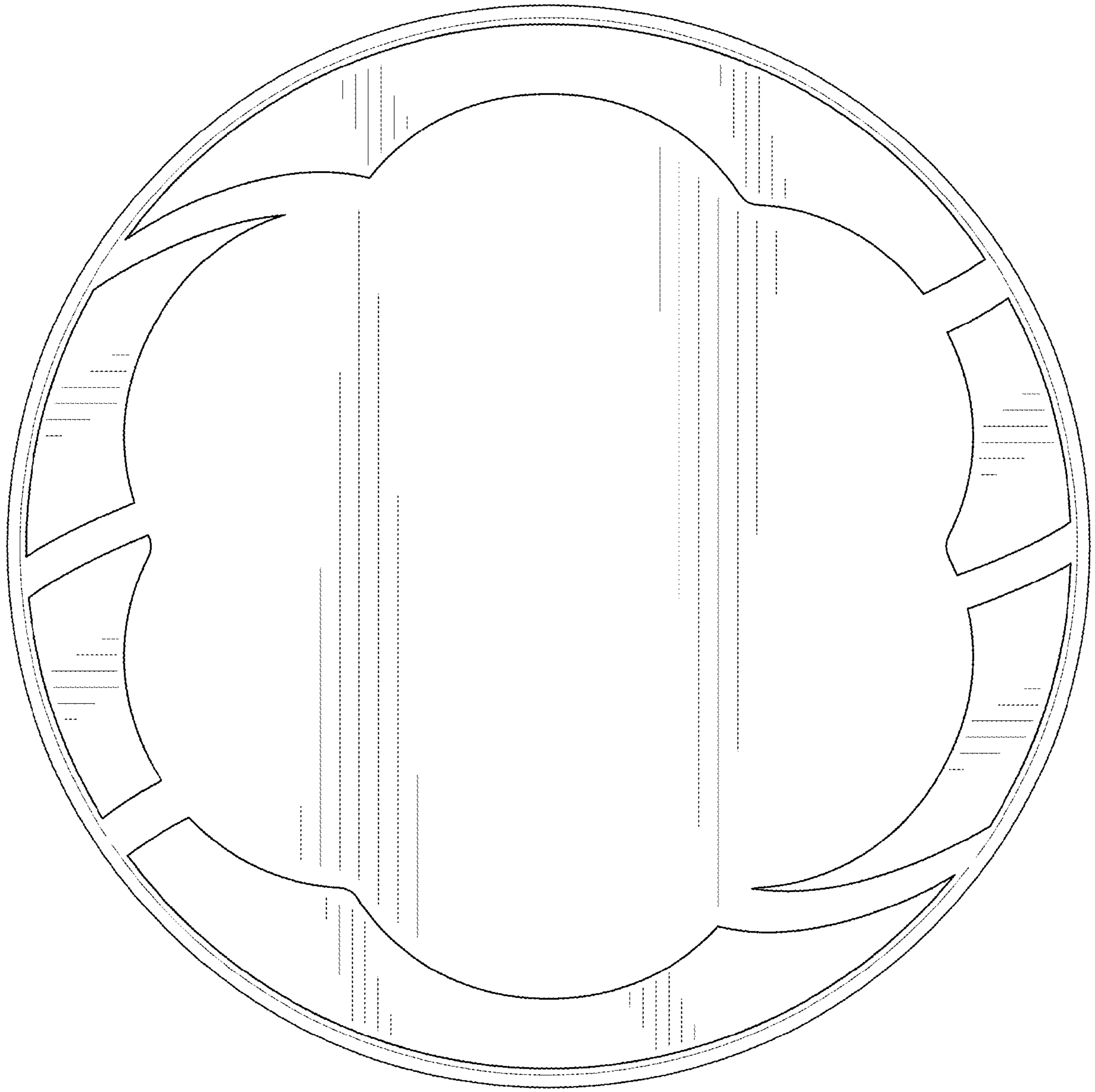


FIG. 7

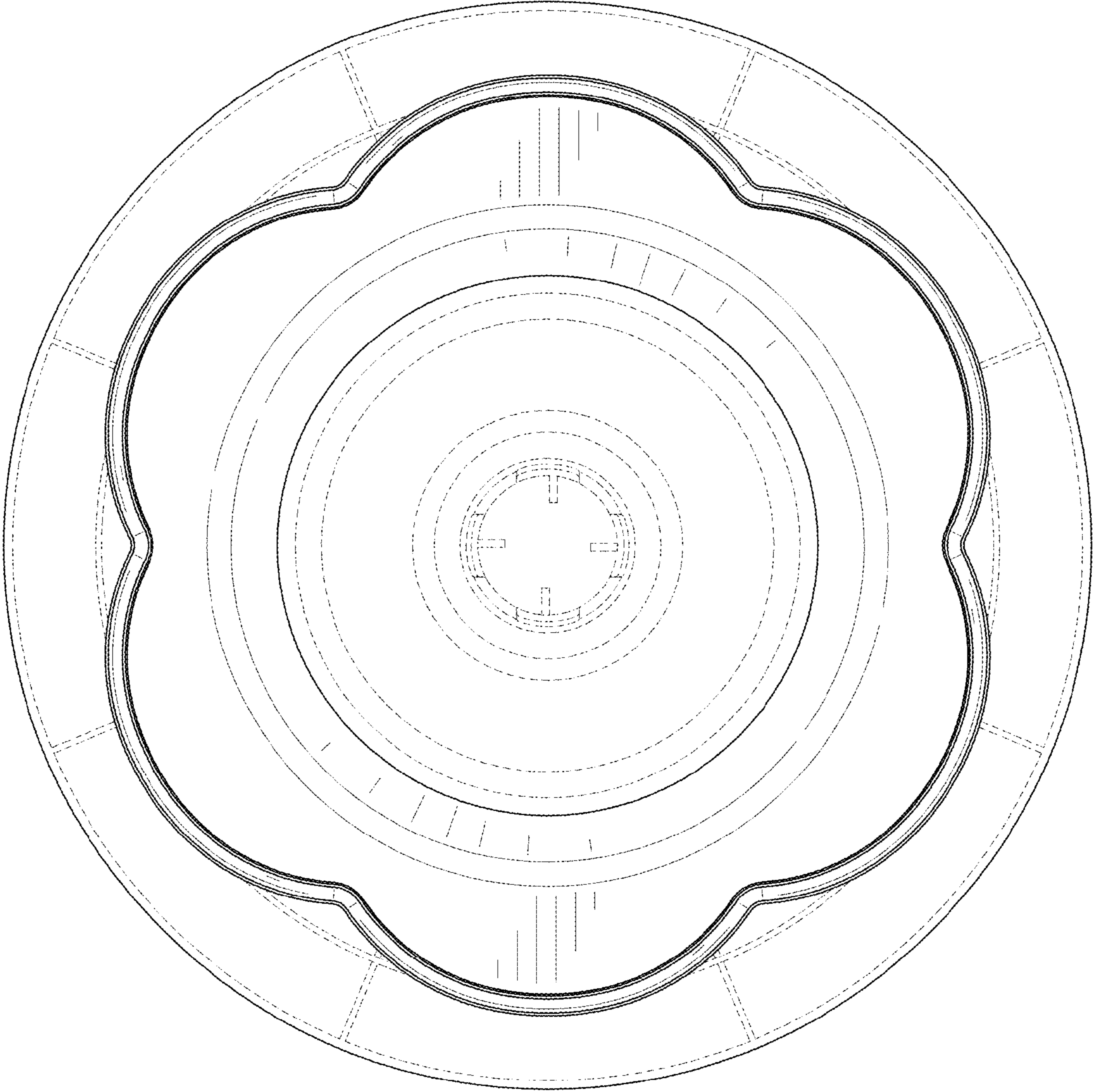


FIG. 8

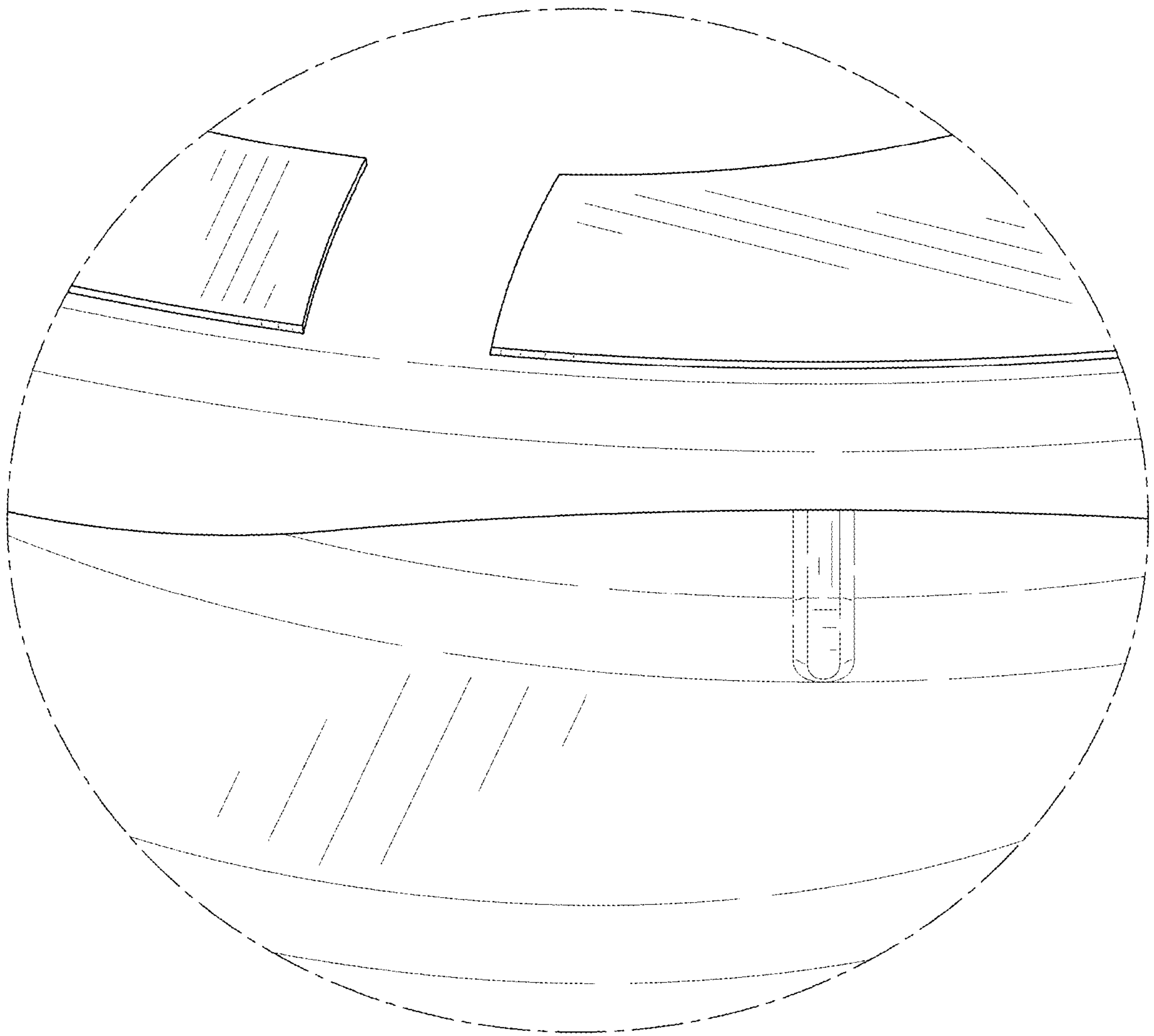


FIG. 9

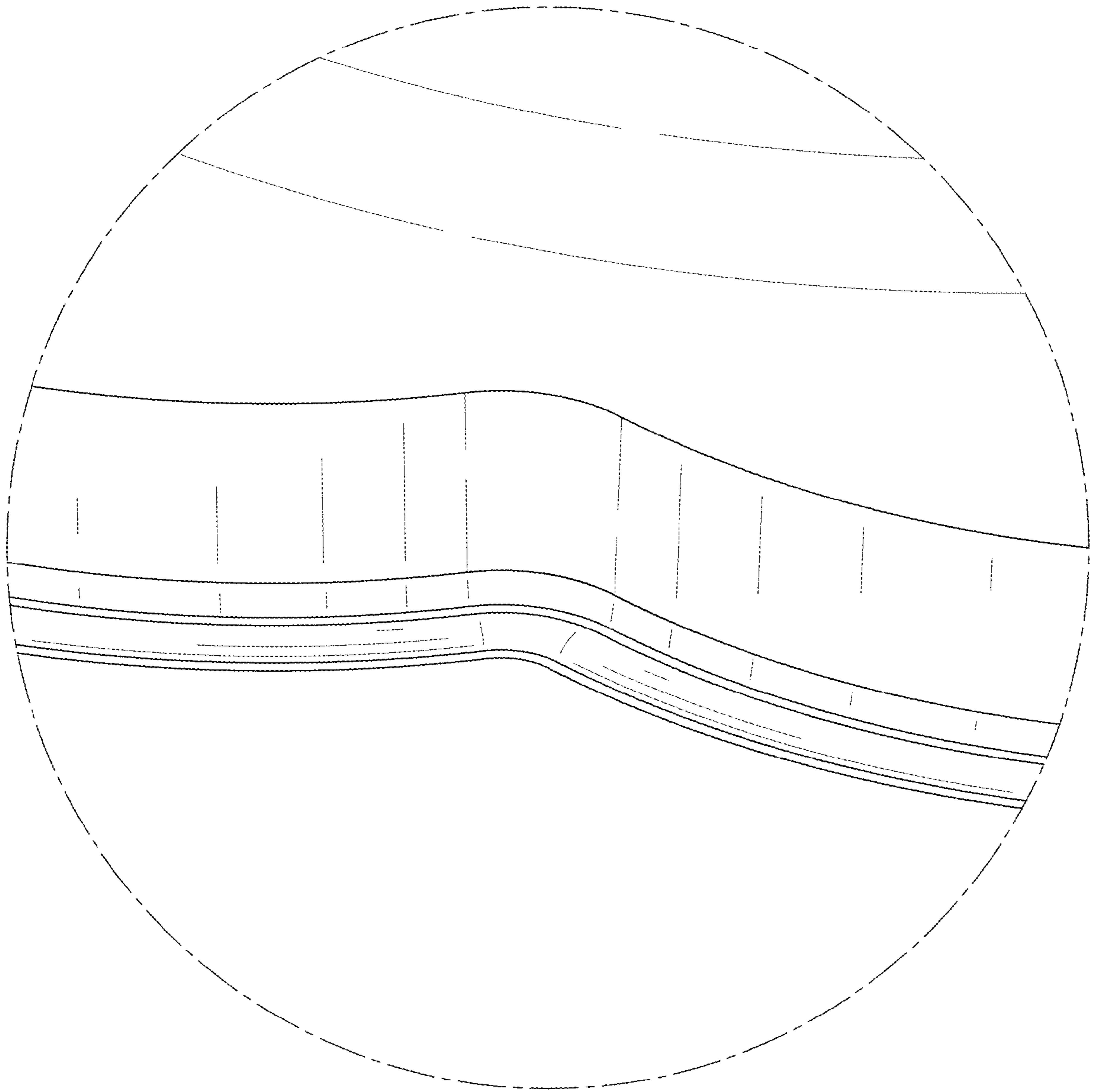


FIG. 10