



US00D925981S

(12) **United States Design Patent** (10) **Patent No.:** **US D925,981 S**
McConnell et al. (45) **Date of Patent:** **** Jul. 27, 2021**

(54) **BLENDER ASSEMBLY**

B02C 4/143; B02C 4/423; B02C 13/1835;
B28C 5/10; B28C 5/12; B28C 5/14;
B28C 5/16

(71) Applicant: **WHIRLPOOL CORPORATION**,
Benton Harbor, MI (US)

See application file for complete search history.

(72) Inventors: **John W. McConnell**, St. Joseph, MI
(US); **Brandon T. Mock**, St. Joseph,
MI (US); **Aaron Evans**, St. Joseph, MI
(US)

(56) **References Cited**

U.S. PATENT DOCUMENTS

(73) Assignee: **Whirlpool Corporation**, Benton
Harbor, MI (US)

| | | | |
|--------------|---------|------------------|--------|
| D176,257 S | 12/1955 | Hill et al. | |
| D181,541 S | 11/1957 | Madl et al. | |
| D187,684 S | 4/1960 | Hauser et al. | |
| D200,494 S | 3/1965 | Bezark, Jr. | |
| D287,327 S | 12/1986 | Cavalli | |
| D310,153 S | 8/1990 | Kaiser | |
| D424,865 S | 5/2000 | Crescenzi et al. | |
| D444,995 S | 7/2001 | Thackray | |
| D484,357 S | 12/2003 | Seum et al. | |
| D488,344 S | 4/2004 | Seum et al. | |
| D502,047 S | 2/2005 | Ledingham et al. | |
| D502,842 S | 3/2005 | Hallar | |
| D518,994 S * | 4/2006 | Lin | D7/378 |

(**) Term: **15 Years**

(21) Appl. No.: **29/766,255**

(22) Filed: **Jan. 14, 2021**

(Continued)

Related U.S. Application Data

(60) Continuation of application No. 29/709,102, filed on
Oct. 11, 2019, now Pat. No. Des. 909,134, which is a
continuation of application No. 29/689,432, filed on
Apr. 30, 2019, now Pat. No. Des. 874,869, which is
a division of application No. 29/639,761, filed on
Mar. 8, 2018, now Pat. No. Des. 852,574.

Primary Examiner — Ricky Pham

(74) *Attorney, Agent, or Firm* — Price Heneveld LLP

(51) **LOC (13) Cl.** **31-00**

(52) **U.S. Cl.**

USPC **D7/413**; D7/376; D7/378; D7/386

(58) **Field of Classification Search**

USPC D7/317, 318, 372, 376–386, 412–413,
D7/543, 586, 602, 629, 665–666, 669,
D7/679, 693–694

CPC A21C 1/02; A21C 1/04; A23N 1/00; A23N
1/02; A47J 43/04; A47J 43/25; A47J
43/27; A47J 43/042; A47J 43/044; A47J
43/046; A47J 43/075; A47J 43/0722;
A47J 43/0727; A47J 43/0761; B01F 3/00;
B01F 3/0807; B01F 3/0853; B01F
13/0059; B01F 13/0064; B02C 1/08;
B02C 2/04; B02C 4/42; B02C 4/142;

(57) **CLAIM**

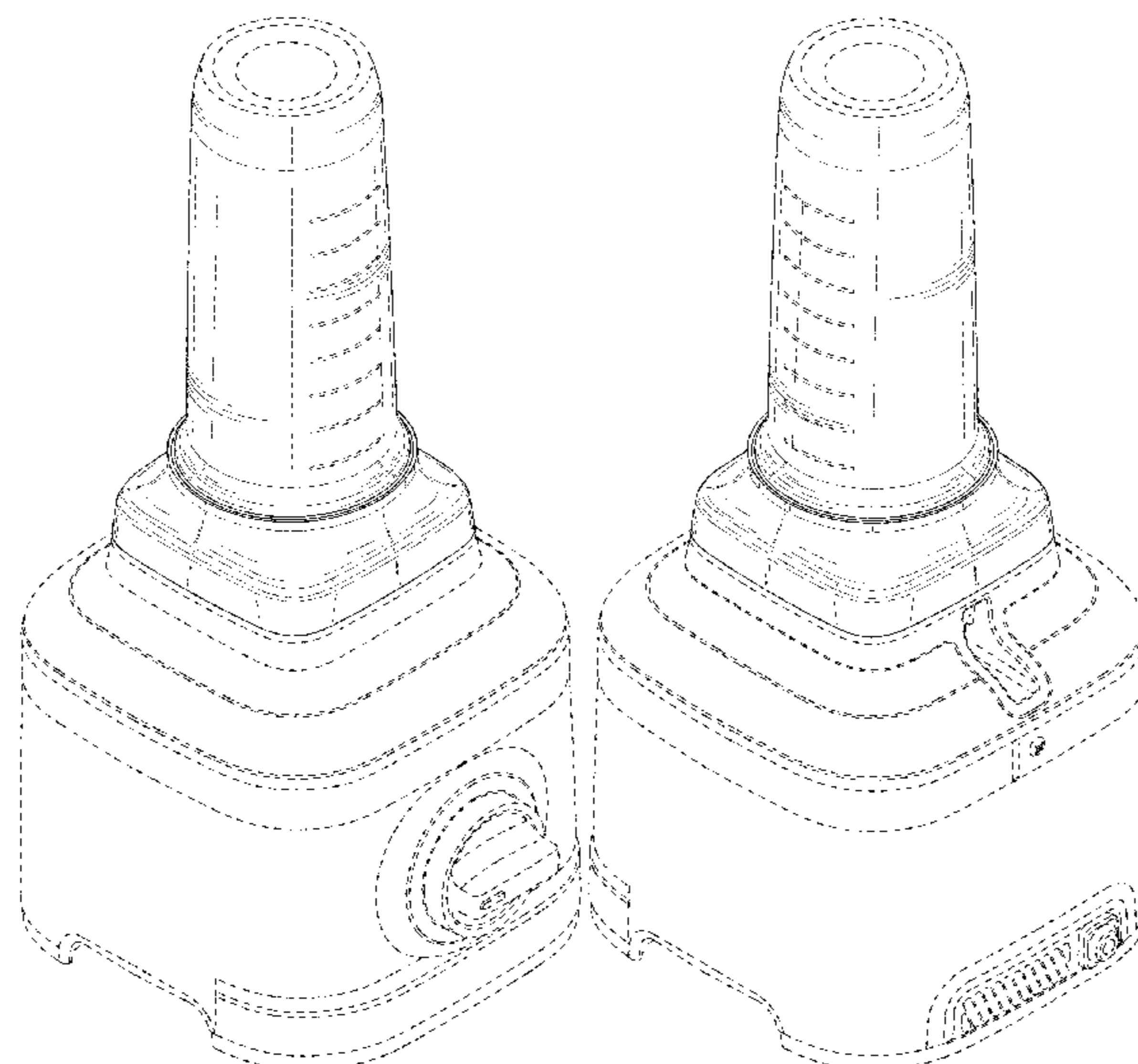
The ornamental design for a blender assembly, as shown and
described.

DESCRIPTION

FIG. 1 is a front perspective view of a blender assembly
according to the design;
FIG. 2 is a rear perspective view thereof;
FIG. 3 is a front elevation view thereof;
FIG. 4 is a back elevation view thereof;
FIG. 5 is a right side elevation view thereof;
FIG. 6 is a left side elevation view thereof;
FIG. 7 is a top plan view thereof; and,
FIG. 8 is a bottom plan view thereof.

The portions of the article shown in broken line form no part
of the claimed design.

1 Claim, 8 Drawing Sheets



(56)

References Cited

U.S. PATENT DOCUMENTS

| | | | | | |
|--------------|---------|------------------------|-------------------|---------|---------------------------|
| D526,531 S | 8/2006 | Drees et al. | D739,679 S | 9/2015 | Benoit et al. |
| D533,395 S | 12/2006 | Drees et al. | D747,135 S | 1/2016 | Ha |
| D547,601 S | 7/2007 | Ting et al. | D755,004 S | 5/2016 | Bock et al. |
| D549,043 S * | 8/2007 | Beesley D7/374 | D761,617 S | 7/2016 | Dennisur et al. |
| D552,412 S | 10/2007 | Steiner | D769,061 S | 10/2016 | Diderotto |
| D577,257 S | 9/2008 | Kuan | D770,226 S | 11/2016 | McConnell et al. |
| D577,537 S | 9/2008 | Lee | D772,008 S | 11/2016 | McConnell et al. |
| D578,341 S | 10/2008 | Picozza et al. | D772,009 S | 11/2016 | McConnell et al. |
| D587,064 S | 2/2009 | Mark | D781,098 S | 3/2017 | Bond et al. |
| D594,697 S | 6/2009 | Lavy | D782,866 S | 4/2017 | Suess et al. |
| D605,462 S | 12/2009 | Picozza et al. | D784,071 S | 4/2017 | Davies |
| D616,244 S | 5/2010 | Thai et al. | D786,613 S | 5/2017 | McConnell et al. |
| D617,136 S | 6/2010 | Bock et al. | D794,381 S | 8/2017 | McConnell et al. |
| D631,282 S | 1/2011 | Ferraby | D798,653 S | 10/2017 | Fan |
| D637,870 S | 5/2011 | Bock | D801,108 S * | 10/2017 | Pan D7/378 |
| D642,858 S | 8/2011 | Lazzer | D806,467 S | 1/2018 | Yao |
| D644,480 S | 9/2011 | Czach et al. | D811,806 S | 3/2018 | Bock |
| D644,489 S | 9/2011 | Trombly | D815,887 S | 4/2018 | Huang et al. |
| D667,683 S | 9/2012 | Czach et al. | D816,395 S | 5/2018 | Huang et al. |
| D668,114 S * | 10/2012 | Cozzolino D7/412 | D825,332 S | 8/2018 | Miksovsky et al. |
| D670,531 S | 11/2012 | Carlson | D828,080 S | 9/2018 | Ou et al. |
| D683,180 S | 5/2013 | Carlson | D829,042 S | 9/2018 | Duan et al. |
| D688,912 S | 9/2013 | Rosbach | D829,496 S | 10/2018 | Kim |
| D694,572 S | 12/2013 | Kobos et al. | D833,209 S | 11/2018 | Duan et al. |
| D694,573 S | 12/2013 | Norland et al. | D842,644 S * | 3/2019 | Kettavong D7/378 |
| D694,574 S | 12/2013 | Norland et al. | D850,845 S * | 6/2019 | Pan D7/378 |
| D694,582 S | 12/2013 | Norland | D856,072 S | 8/2019 | Barber |
| D694,583 S | 12/2013 | Norland | D909,134 S * | 2/2021 | McConnell D7/413 |
| D702,993 S | 4/2014 | Lownds | 2011/0220674 A1 | 9/2011 | Honeyghan |
| D711,682 S | 8/2014 | Norland et al. | 2011/0278216 A1 | 11/2011 | Hull et al. |
| D731,234 S | 6/2015 | Weaden et al. | 2014/0247686 A1 * | 9/2014 | Arnett A47J 43/0761 |
| D731,236 S | 6/2015 | Yin | | | 366/205 |
| | | | 2016/0220071 A1 * | 8/2016 | Hewitt A47J 43/0716 |
| | | | 2019/0000275 A1 * | 1/2019 | Sapire A47J 43/0761 |

* cited by examiner

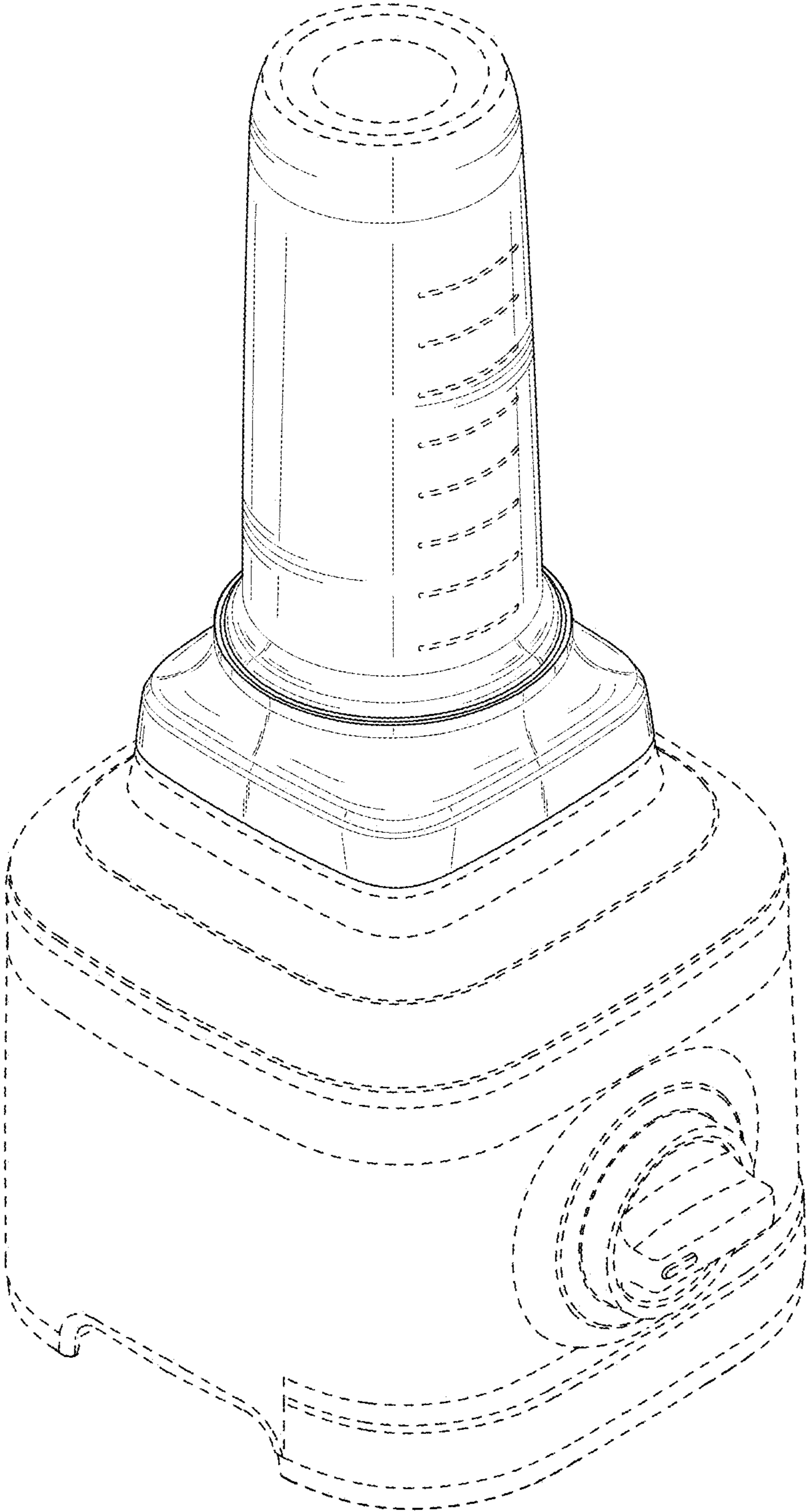


FIG. 1

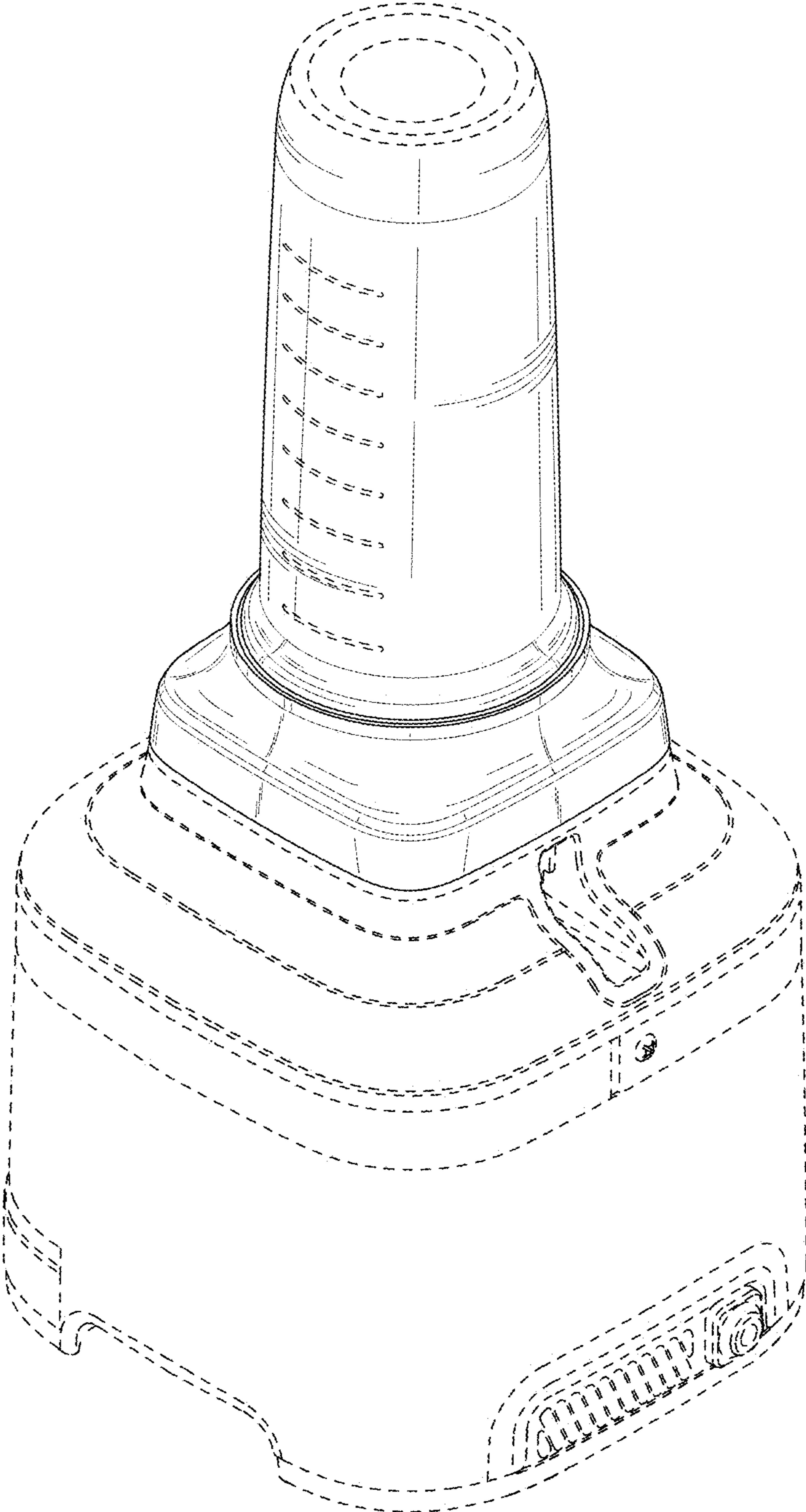


FIG. 2

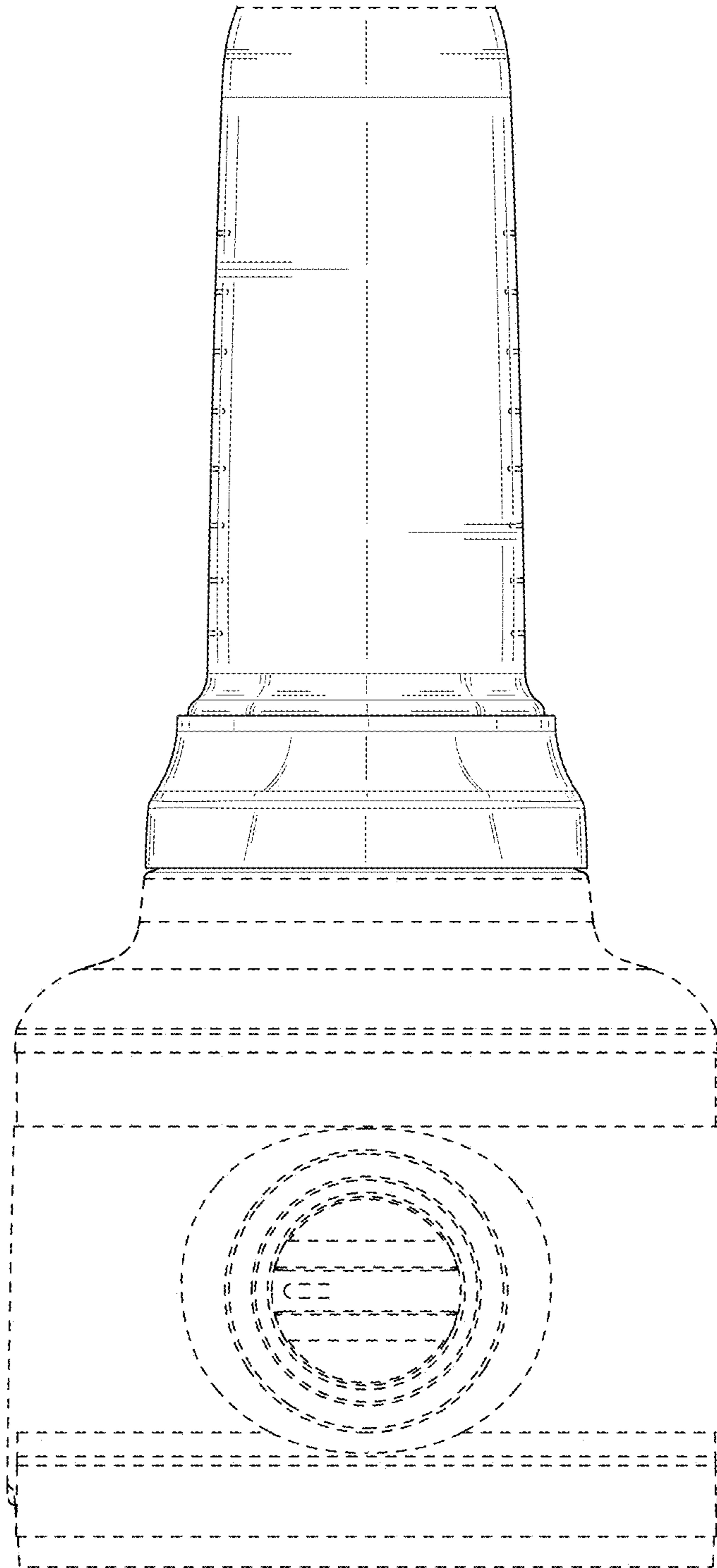


FIG. 3

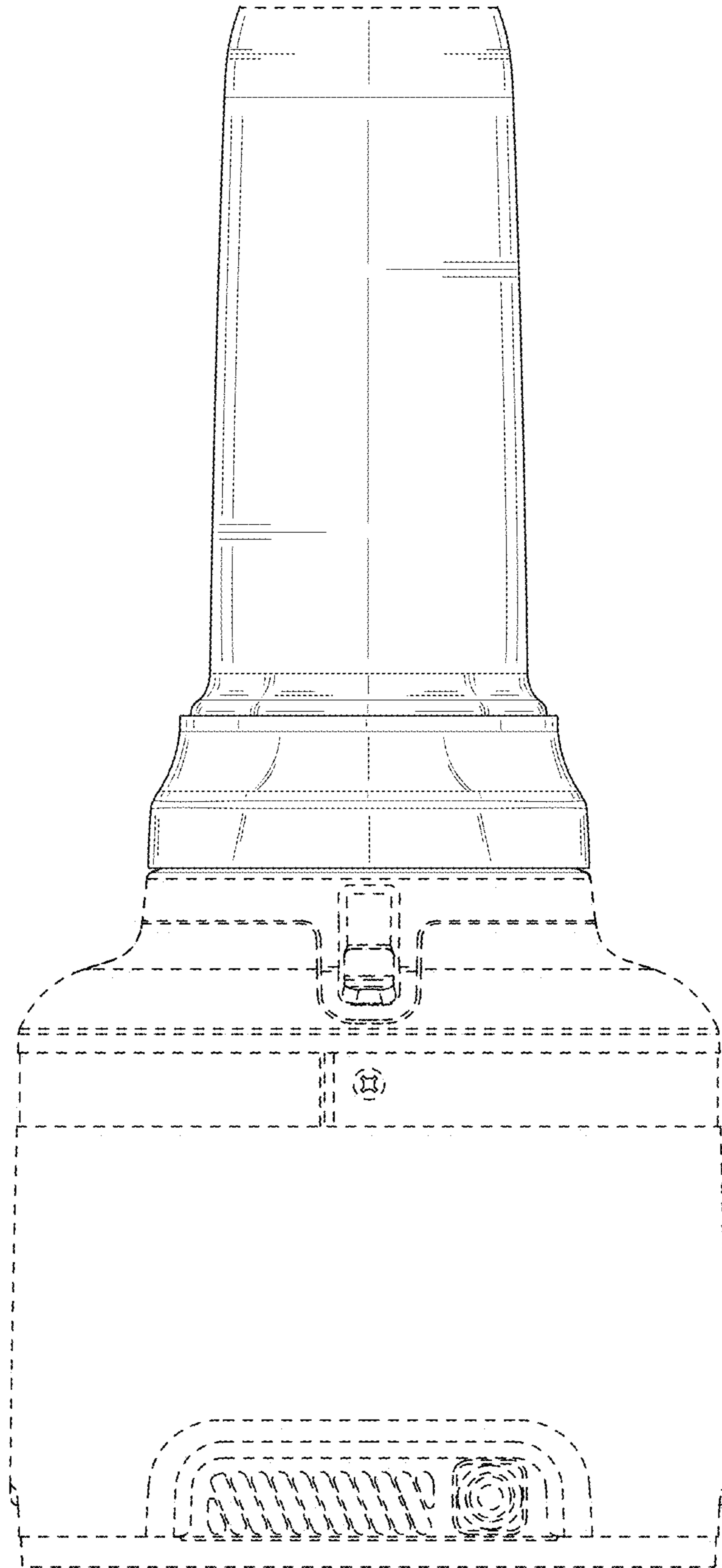


FIG. 4

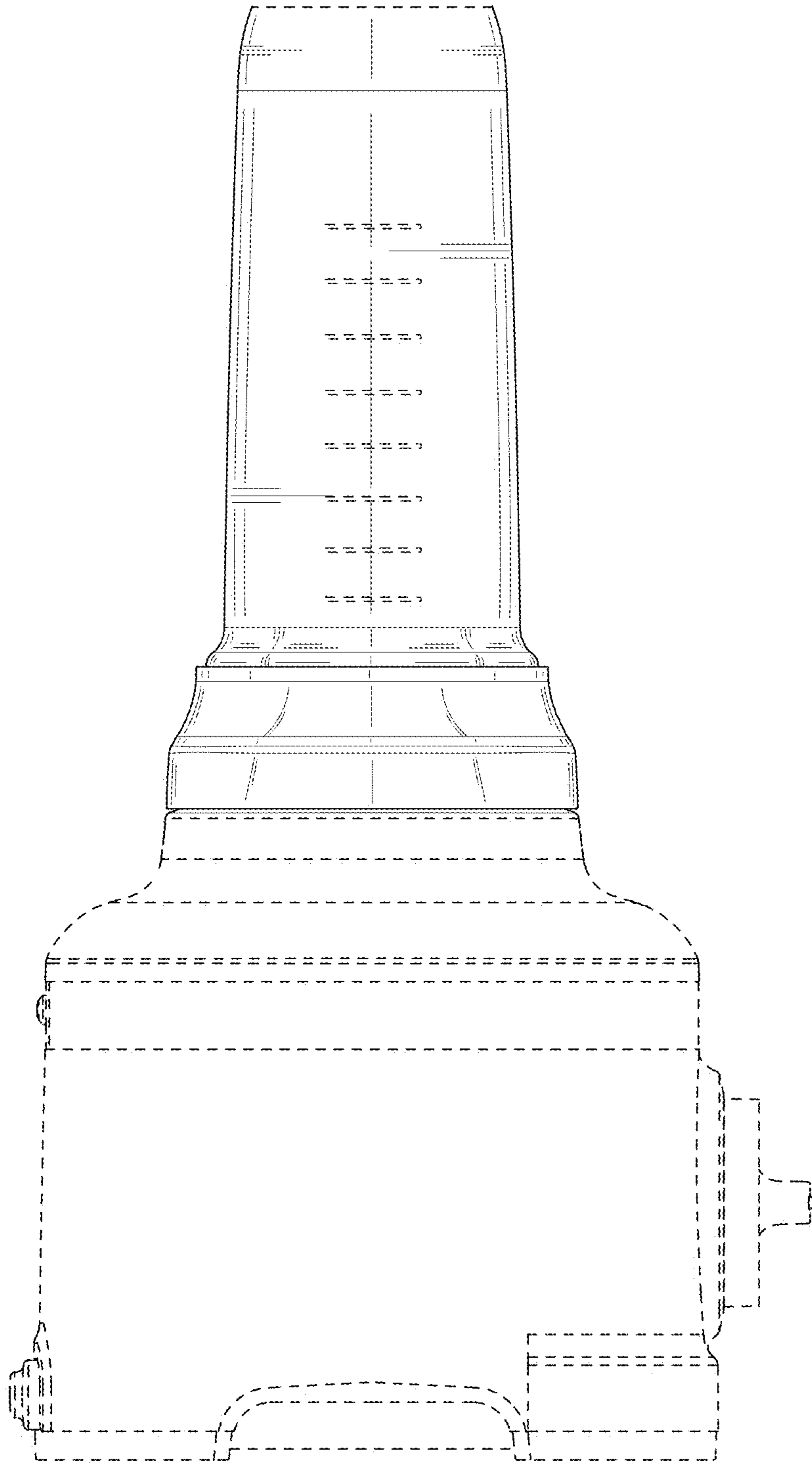


FIG. 5

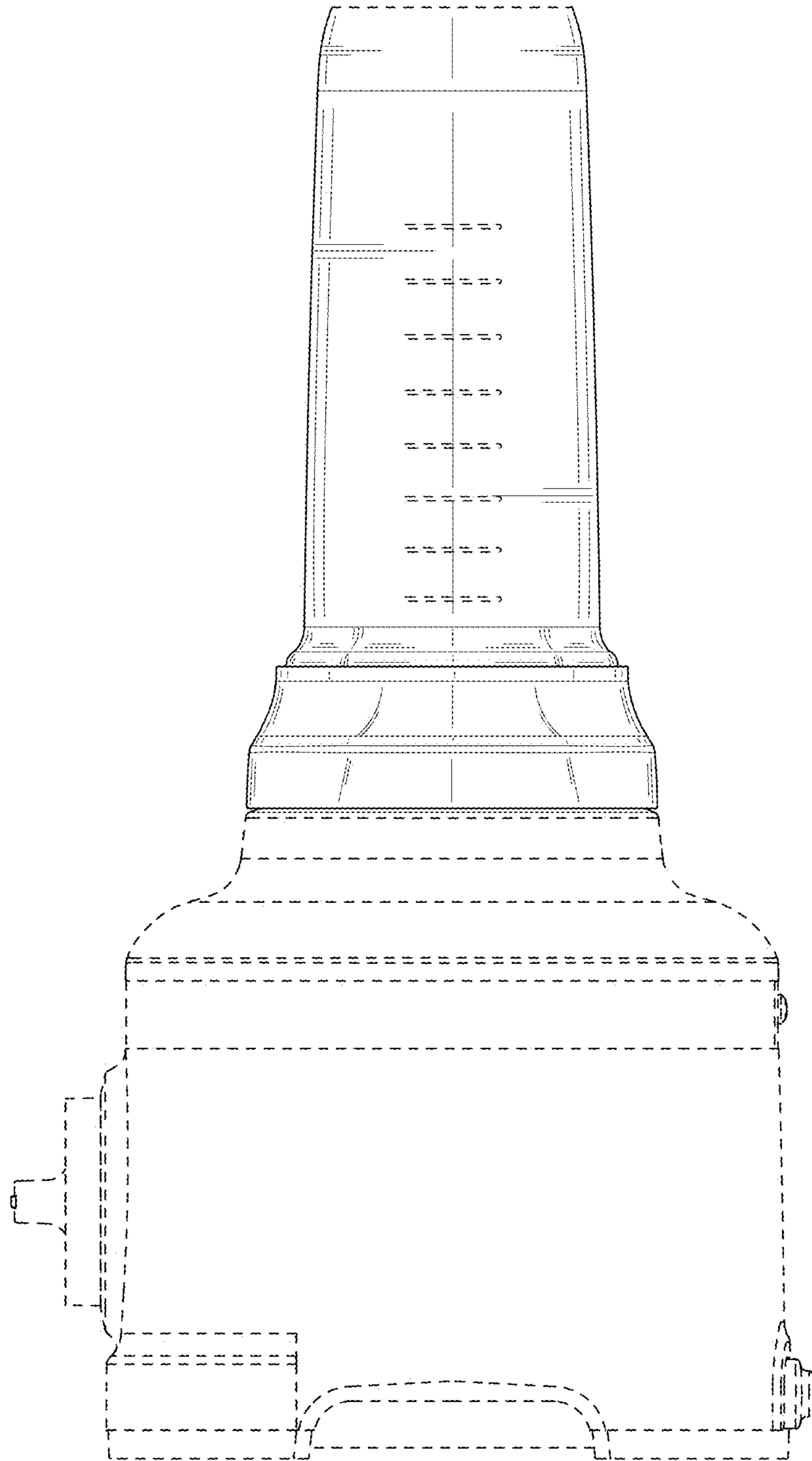


FIG. 6

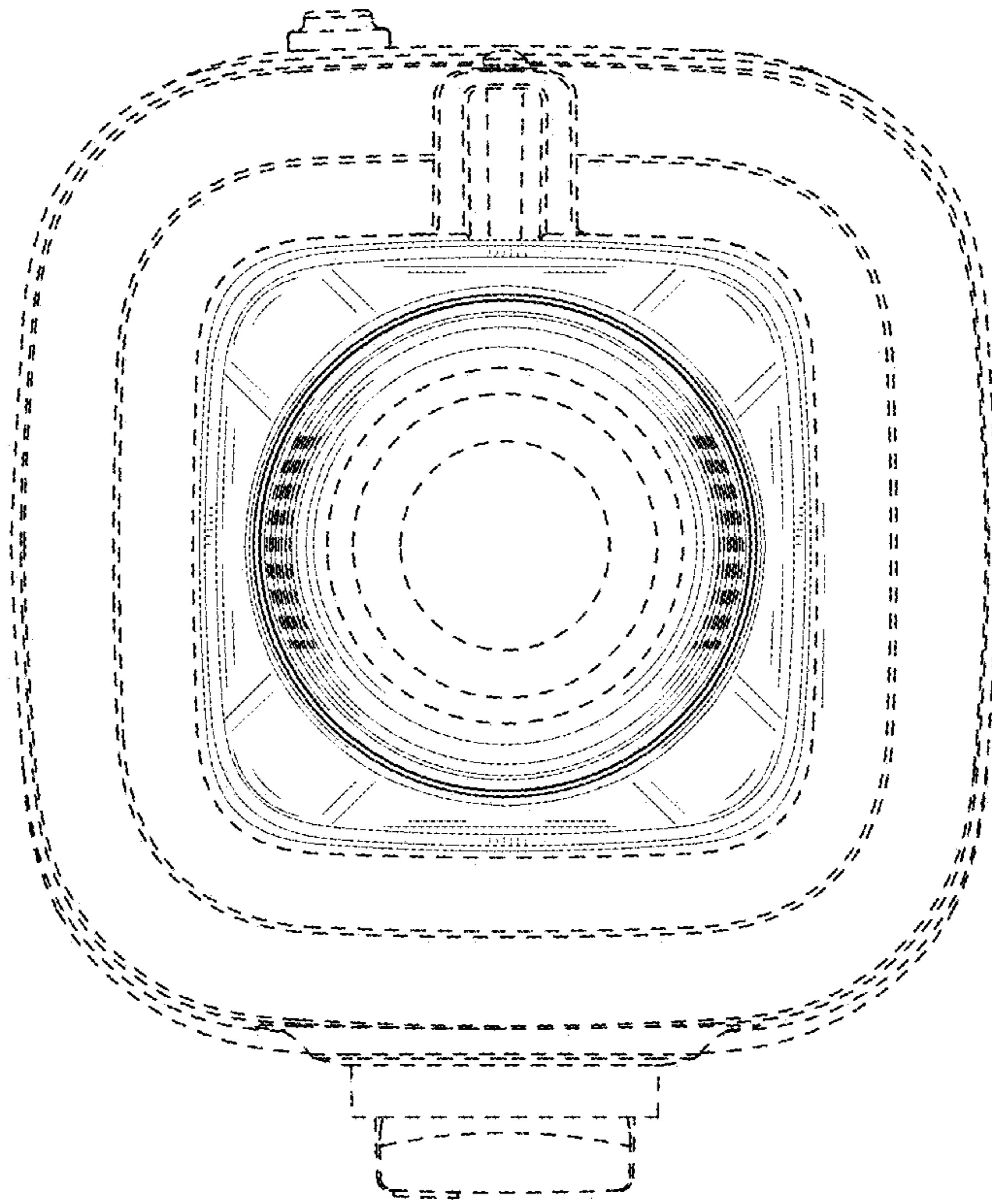


FIG. 7

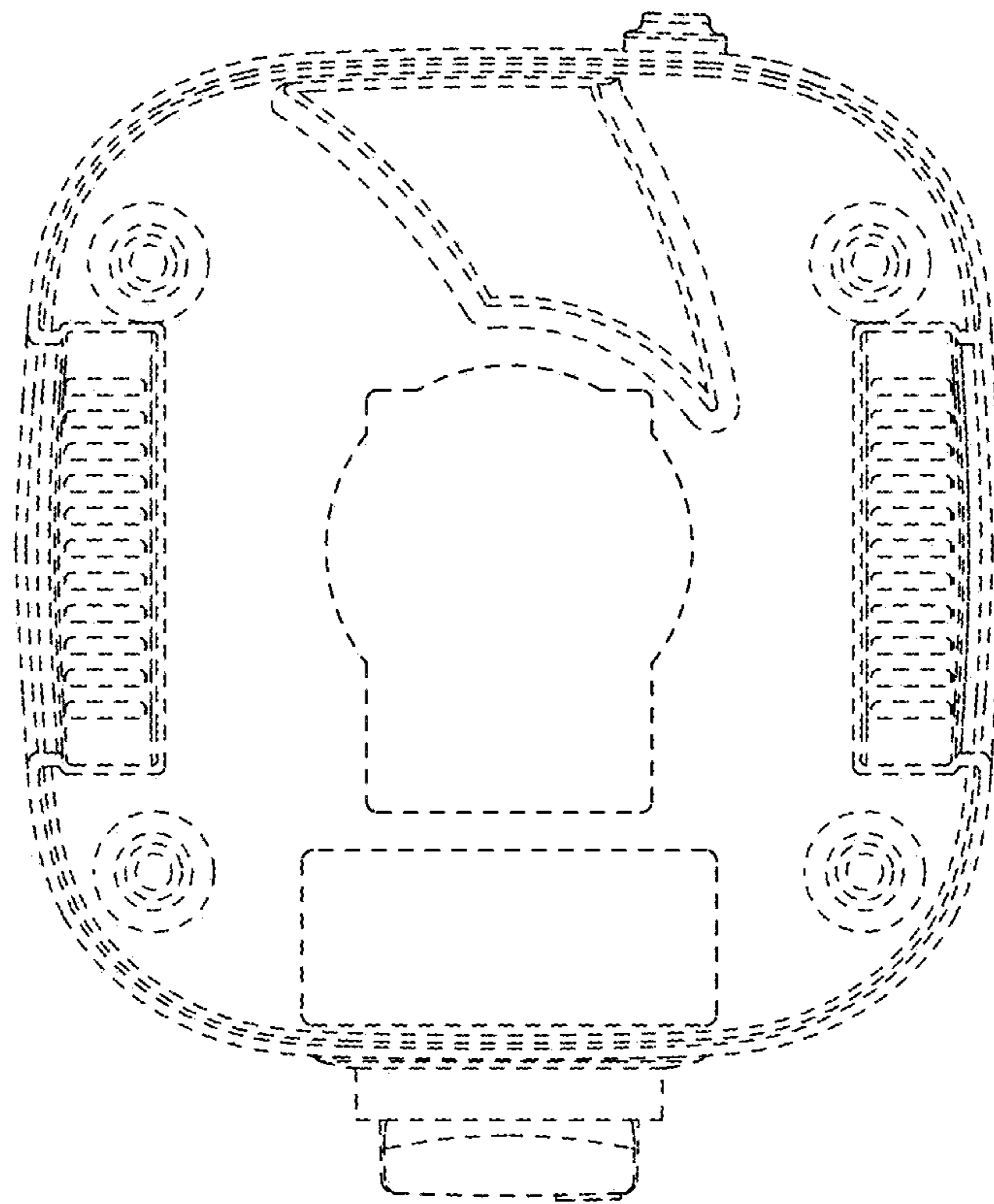


FIG. 8