



US00D925980S

(12) **United States Design Patent** (10) **Patent No.:** **US D925,980 S**  
**McConnell et al.** (45) **Date of Patent:** **\*\* Jul. 27, 2021**

(54) **JUICER ATTACHMENT FOR BLENDER ASSEMBLY**

4/423; B02C 13/1835; B28C 5/10; B28C 5/12; B28C 5/14; B28C 5/16

See application file for complete search history.

(71) Applicant: **WHIRLPOOL CORPORATION**,  
Benton Harbor, MI (US)

(56) **References Cited**

(72) Inventors: **John W. McConnell**, St. Joseph, MI (US); **Brandon T. Mock**, St. Joseph, MI (US)

U.S. PATENT DOCUMENTS

(73) Assignee: **Whirlpool Corporation**, Benton Harbor, MI (US)

2,677,947 A \* 5/1954 Van Guilder ..... A47J 45/077 220/710.5

(\*\*) Term: **15 Years**

D176,257 S 12/1955 Hill et al.  
D181,541 S 11/1957 Madl et al.  
D187,684 S 4/1960 Hauser et al.  
D200,494 S 3/1965 Bezark, Jr.

(Continued)

(21) Appl. No.: **29/747,598**

*Primary Examiner* — Ricky Pham

(22) Filed: **Aug. 24, 2020**

(74) *Attorney, Agent, or Firm* — Price Heneveld LLP

**Related U.S. Application Data**

(57) **CLAIM**

We claim the ornamental design for a juicer attachment for blender assembly, as shown and described.

(62) Division of application No. 29/723,710, filed on Feb. 10, 2020, now Pat. No. Des. 898,517, which is a division of application No. 29/689,432, filed on Apr. 30, 2019, now Pat. No. Des. 874,869, which is a division of application No. 29/639,761, filed on Mar. 8, 2018, now Pat. No. Des. 852,574.

**DESCRIPTION**

(51) **LOC (13) Cl.** ..... **31-00**

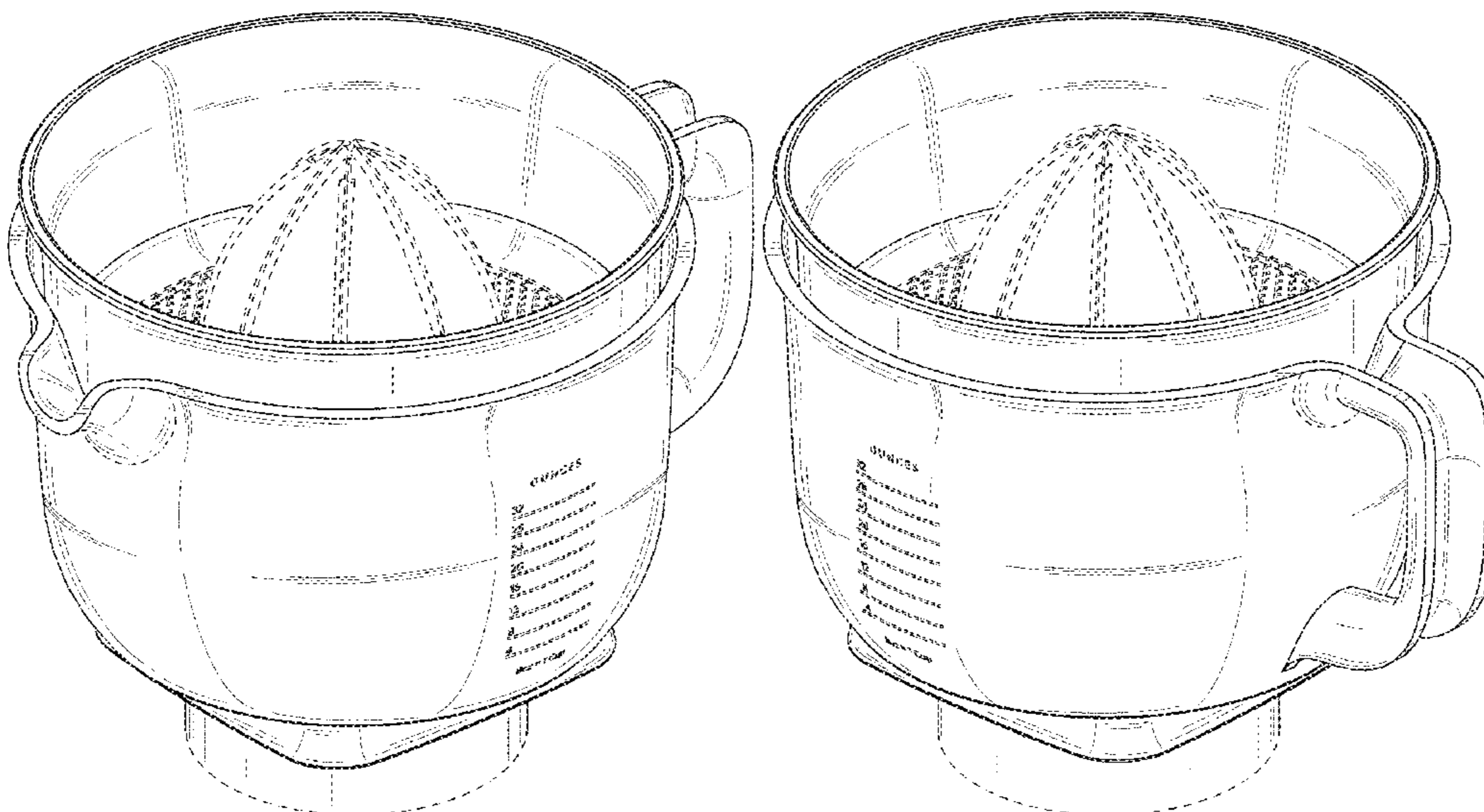
(52) **U.S. Cl.**  
USPC ..... **D7/413**; D7/376; D7/378; D7/384

(58) **Field of Classification Search**  
USPC ..... D7/317, 318, 372, 376–386, 412–413, D7/543, 586, 602, 629, 665–666, 669, D7/679, 693–694

CPC .... A21C 1/02; A21C 1/04; A23N 1/00; A23N 1/02; A47J 43/04; A47J 43/25; A47J 43/27; A47J 43/042; A47J 43/044; A47J 43/046; A47J 43/075; A47J 43/0722; A47J 43/0727; B01F 3/00; B01F 3/0807; B01F 3/0853; B01F 13/0059; B01F 13/0064; B02C 1/08; B02C 2/04; B02C 4/42; B02C 4/142; B02C 4/143; B02C

FIG. 1 is a front top perspective view illustrating a juicer attachment of a blender assembly of the present disclosure; FIG. 2 is a rear top perspective view of the juicer attachment of FIG. 1; FIG. 3 is a first side elevational view of the juicer attachment of FIG. 1; FIG. 4 is a second side elevational view of the juicer attachment of FIG. 1; FIG. 5 is a front elevational view of the juicer attachment of FIG. 1; FIG. 6 is a rear elevational view of the juicer attachment of FIG. 1; FIG. 7 is a top plan view of the juicer attachment of FIG. 1; and, FIG. 8 is a bottom plan view of the juicer attachment of FIG. 1. The broken lines depict portions of the article that form no part of the claimed design.

**1 Claim, 8 Drawing Sheets**



(56)

References Cited

U.S. PATENT DOCUMENTS

D283,193 S *	4/1986	Daenen .....	D7/317	D712,702 S *	9/2014	Stamper .....	D7/543
D287,327 S	12/1986	Cavalli		D731,234 S	6/2015	Weaden et al.	
D310,153 S	8/1990	Kaiser		D731,236 S	6/2015	Yin	
D379,744 S *	6/1997	Thackray .....	D7/665	D737,619 S *	9/2015	Cornu .....	D7/318
D424,865 S	5/2000	Crescenzi et al.		D739,679 S	9/2015	Benoit et al.	
D444,995 S	7/2001	Thackray		D747,135 S	1/2016	Ha	
D484,357 S	12/2003	Seum et al.		D755,004 S	5/2016	Bock et al.	
D488,344 S	4/2004	Seum et al.		D761,617 S	7/2016	Dennisur et al.	
D499,604 S *	12/2004	Hooper .....	D7/376	D769,061 S	10/2016	Diderotto	
D502,047 S	2/2005	Ledingham et al.		D770,226 S	11/2016	McConnell et al.	
D502,842 S	3/2005	Hallar		D772,008 S	11/2016	McConnell et al.	
D526,531 S	8/2006	Drees et al.		D772,009 S	11/2016	McConnell et al.	
D533,395 S	12/2006	Drees et al.		D781,098 S	3/2017	Bond et al.	
D547,601 S	7/2007	Ting et al.		D782,865 S	4/2017	Bazzicalupo et al.	
D552,412 S	10/2007	Steiner		D784,071 S	4/2017	Davies	
D577,257 S	9/2008	Kuan		D786,613 S	5/2017	McConnell et al.	
D577,537 S	9/2008	Lee		D794,381 S	8/2017	McConnell et al.	
D578,341 S	10/2008	Picozza et al.		D798,653 S	10/2017	Fan	
D587,064 S	2/2009	Mark		D811,806 S	3/2018	Bock	
D594,697 S	6/2009	Lavy		D812,416 S	3/2018	Carlson	
D605,462 S	12/2009	Picozza et al.		D815,887 S	4/2018	Huang et al.	
D616,244 S	5/2010	Thai et al.		D819,394 S	6/2018	Han et al.	
D617,136 S	6/2010	Bock et al.		D828,080 S	9/2018	Ou et al.	
D631,282 S	1/2011	Ferraby		D829,496 S	10/2018	Kim	
D637,870 S	5/2011	Bock		D833,812 S	11/2018	Coakley	
D642,858 S	8/2011	Lazzer		D844,372 S	4/2019	DeLeo et al.	
D644,480 S	9/2011	Czach et al.		D844,374 S	4/2019	McConnell et al.	
D660,186 S *	5/2012	Williams .....	D10/46.2	D845,696 S	4/2019	Ou	
D667,683 S	9/2012	Czach et al.		D852,574 S	7/2019	McConnell et al.	
D668,915 S *	10/2012	Drees .....	D7/586	D853,177 S	7/2019	McConnell et al.	
D670,531 S	11/2012	Carlson		10,427,316 B2	10/2019	Beber et al.	
D683,180 S	5/2013	Carlson		10,449,685 B2	10/2019	Beber et al.	
D694,572 S	12/2013	Kobos et al.		D865,437 S *	11/2019	Steiner .....	D7/379
D694,573 S	12/2013	Norland et al.		D869,226 S *	12/2019	Saubert .....	D7/379
D694,574 S	12/2013	Norland et al.		D869,227 S	12/2019	McConnell et al.	
D694,582 S	12/2013	Norland		D879,554 S *	3/2020	Saubert .....	D7/412
D694,583 S	12/2013	Norland		D881,637 S	4/2020	Ye	
D702,487 S *	4/2014	Gillette .....	D7/379	D909,133 S *	2/2021	Mock .....	D7/412
D702,993 S	4/2014	Lownds		2011/0139017 A1	6/2011	Beber et al.	
D711,682 S	8/2014	Norland et al.		2011/0265664 A1	11/2011	Goncalves et al.	
				2014/0299691 A1	10/2014	Zakowski	
				2019/0090694 A1	3/2019	Wu et al.	

\* cited by examiner

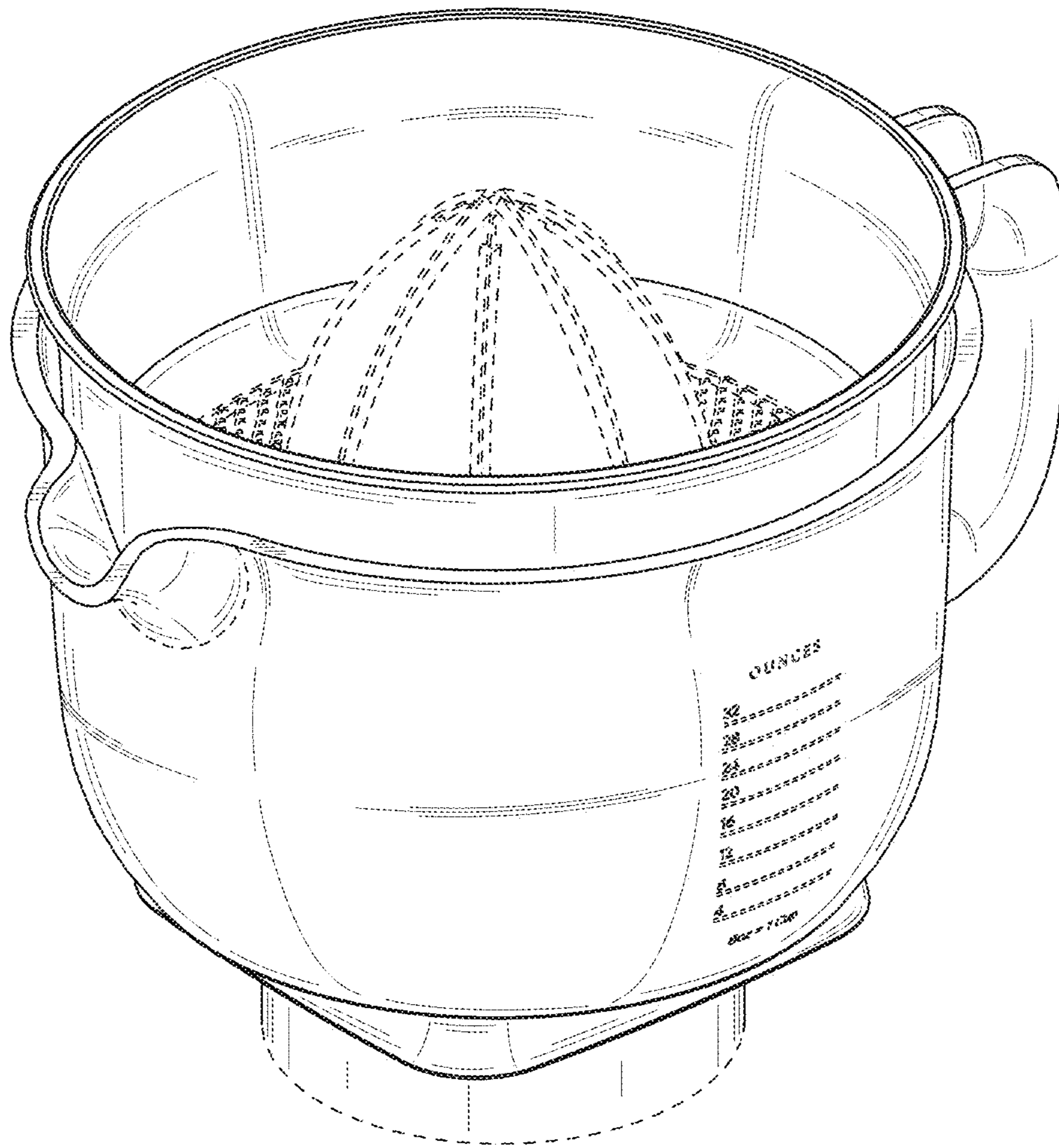
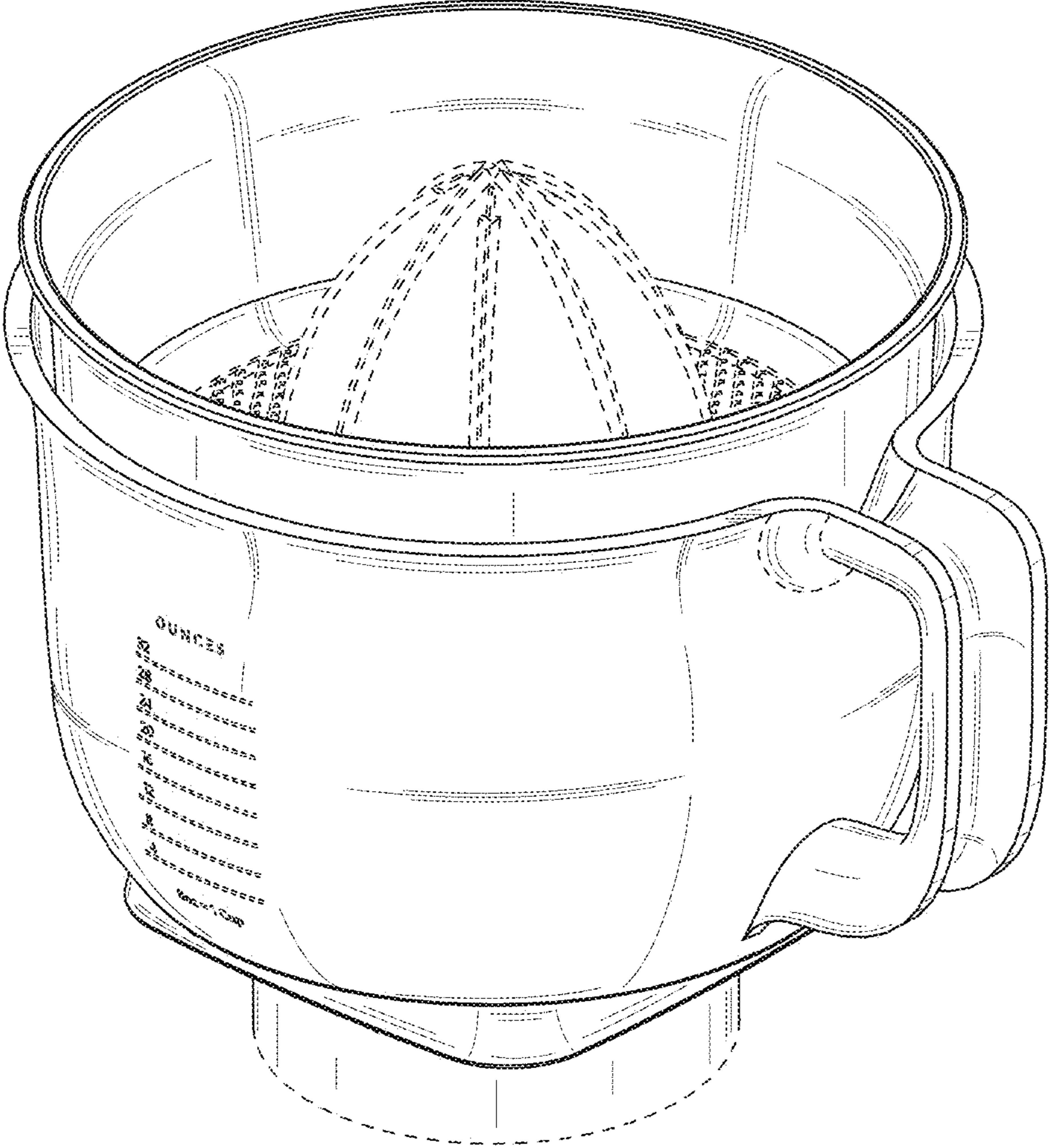
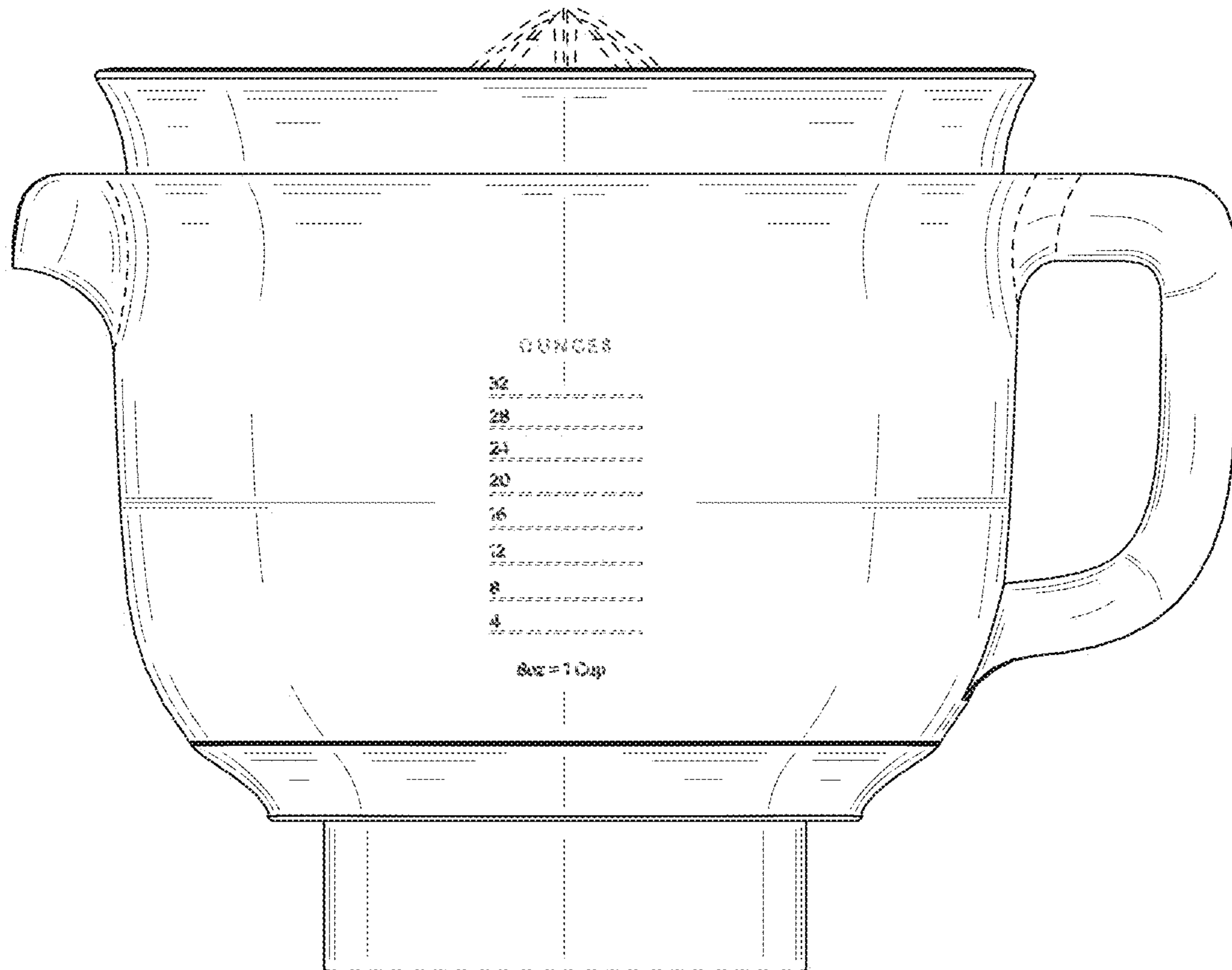


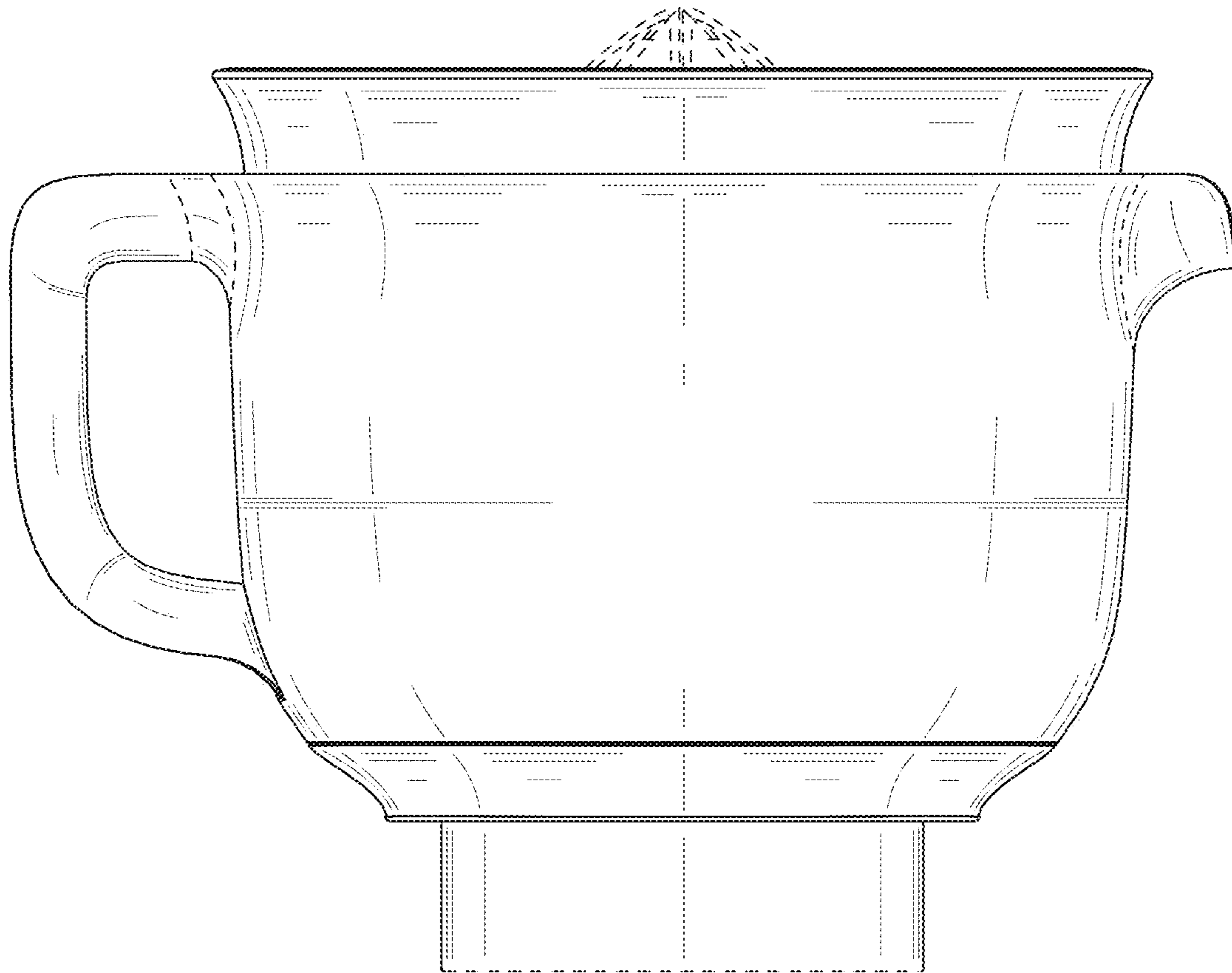
FIG. 1



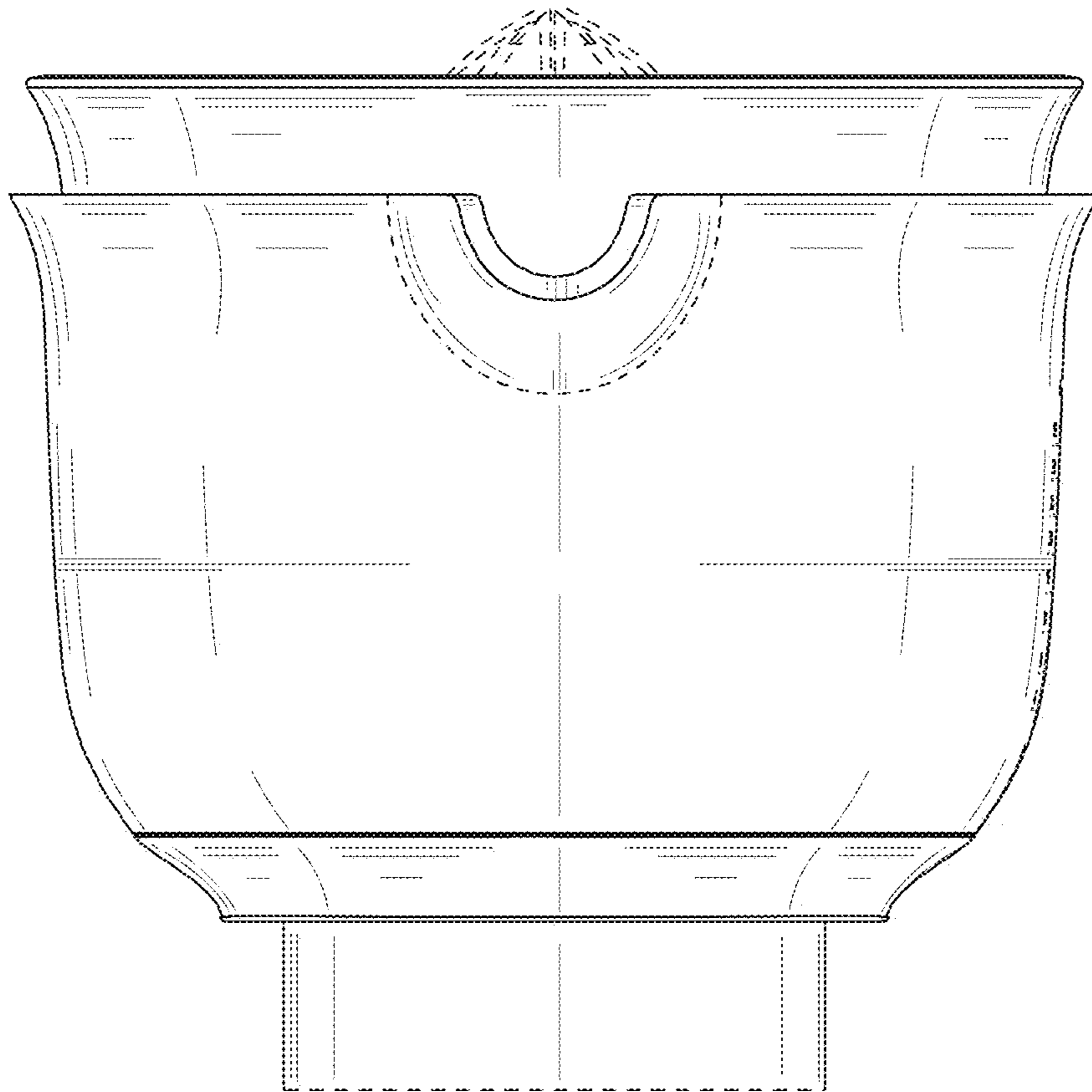
**FIG. 2**



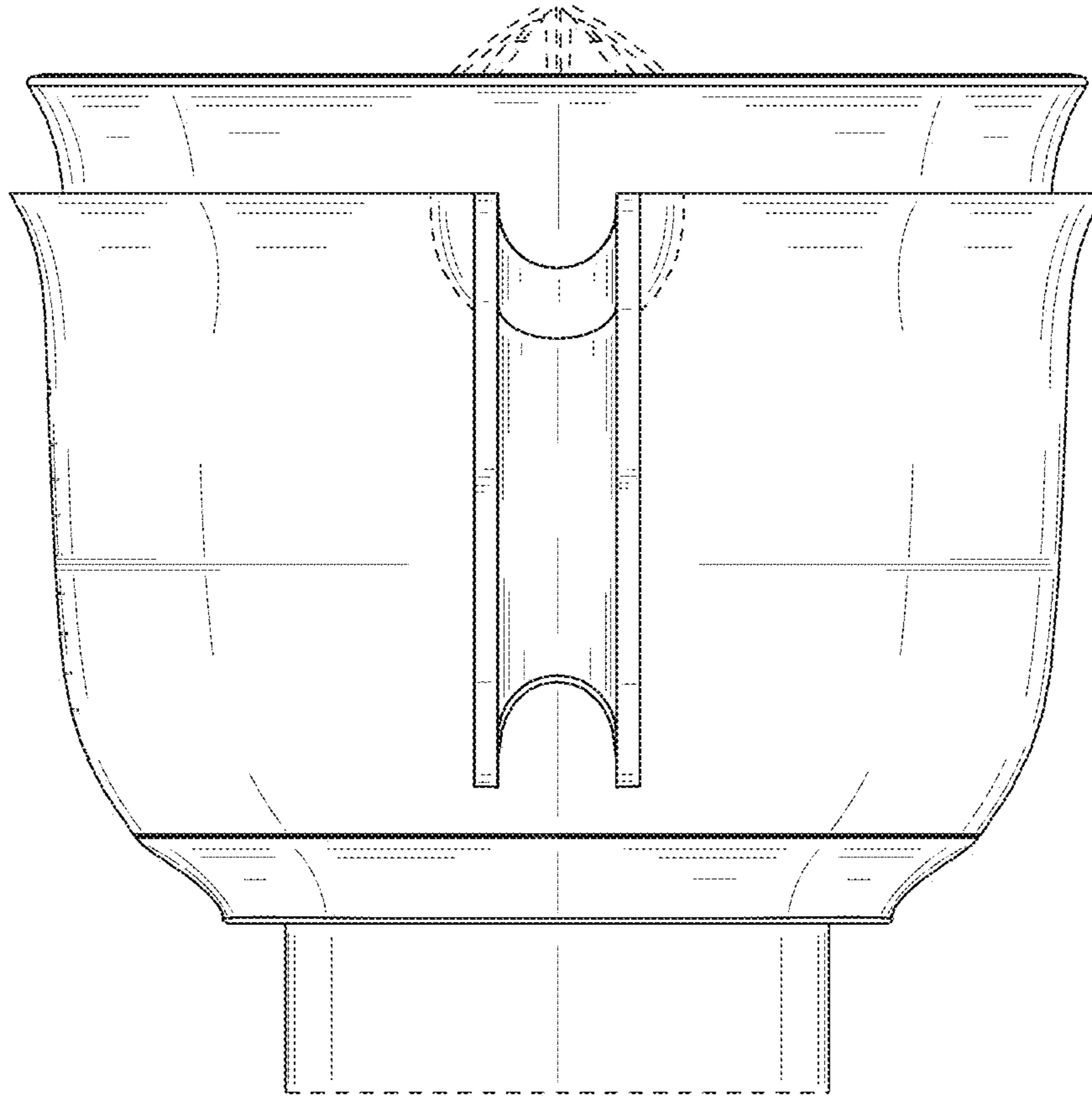
**FIG. 3**



**FIG. 4**



**FIG. 5**



**FIG. 6**



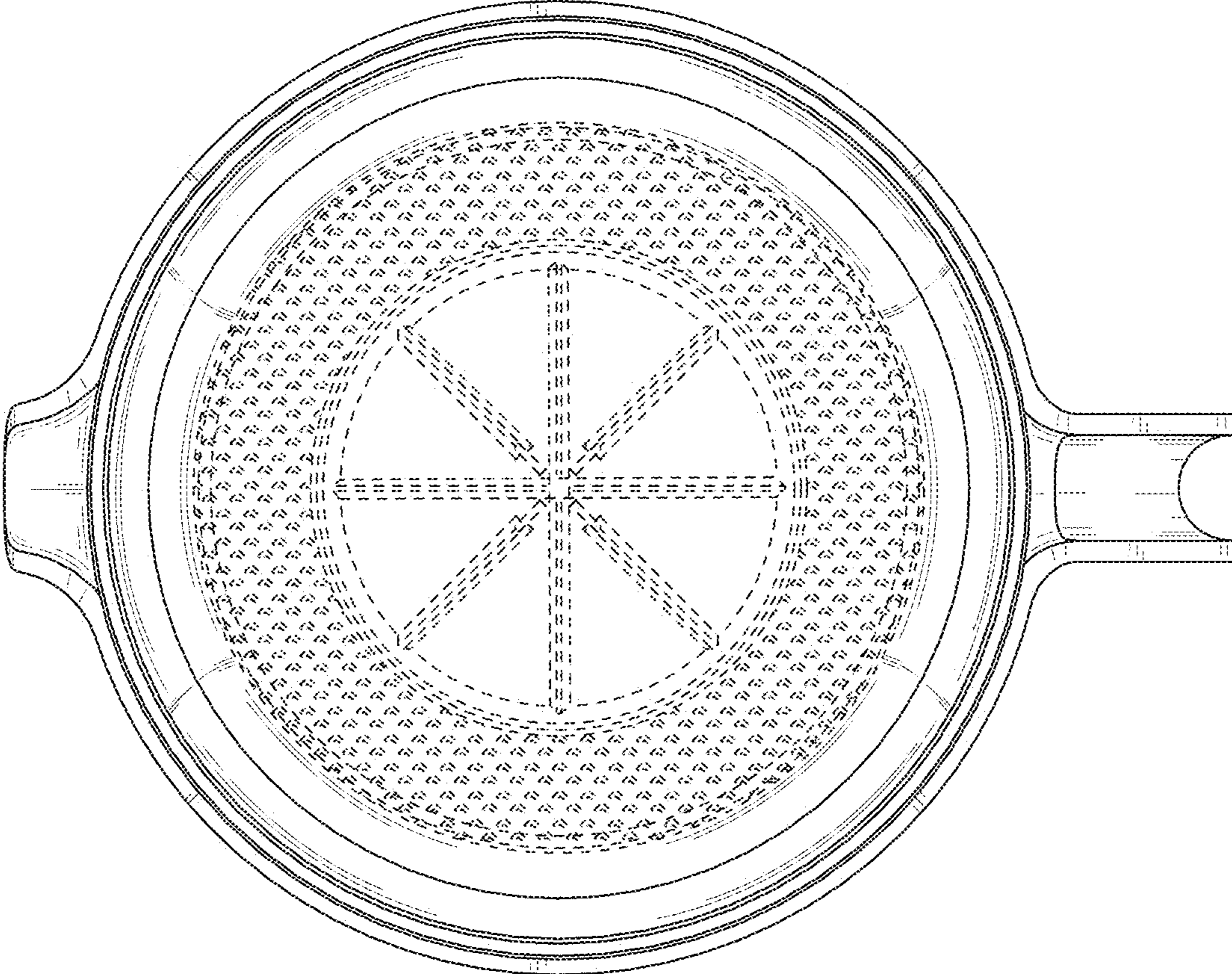
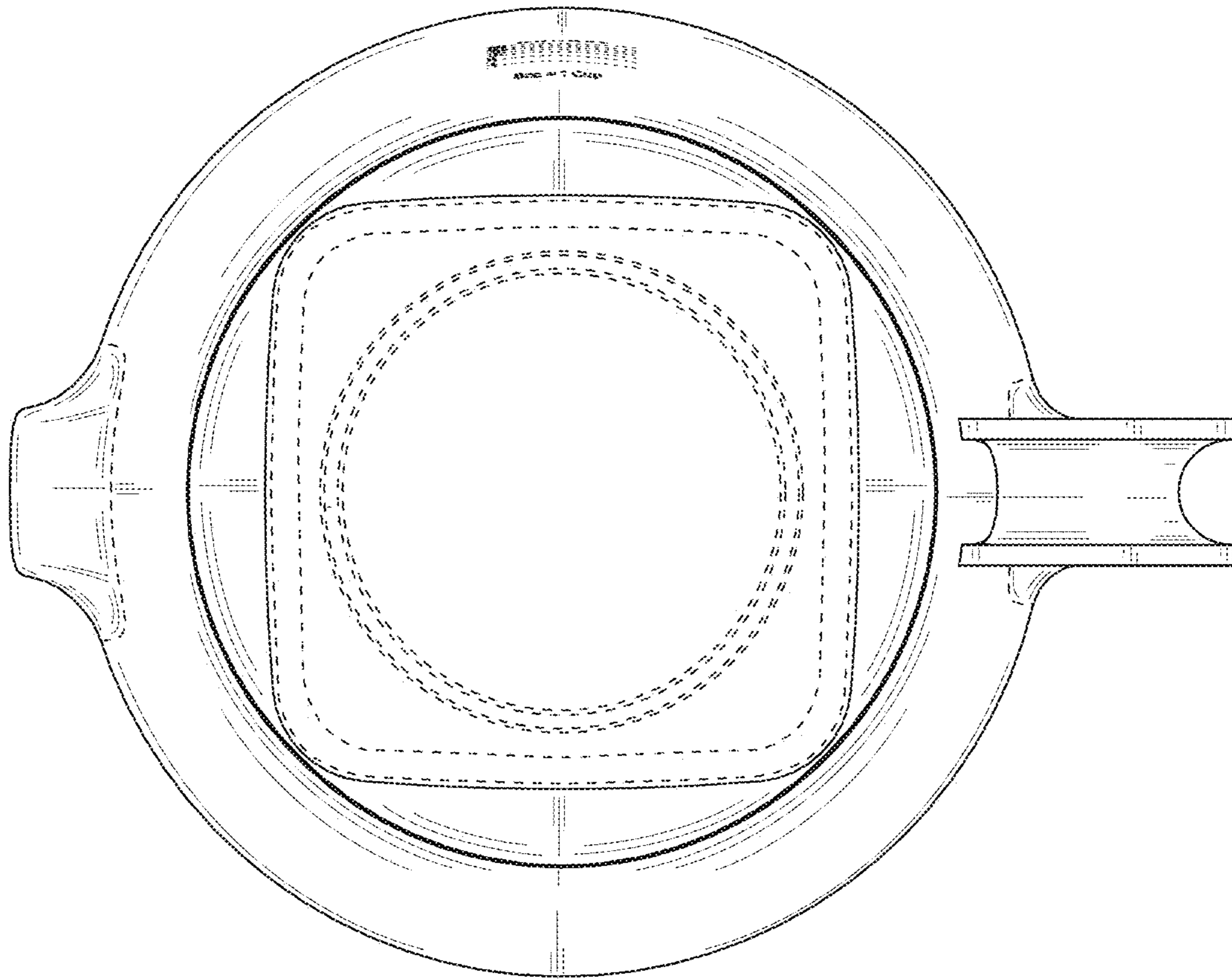


FIG. 7



**FIG. 8**