



US00D925979S

(12) **United States Design Patent**  
**Licata**

(10) **Patent No.:** **US D925,979 S**

(45) **Date of Patent:** **\*\* Jul. 27, 2021**

(54) **STEAMER INSERT**  
(71) Applicant: **Anna Marie Licata**, Ventura, CA (US)  
(72) Inventor: **Anna Marie Licata**, Ventura, CA (US)  
(\*\*) Term: **15 Years**

6,460,452 B1 \* 10/2002 Hester ..... A47J 37/049  
99/347  
D522,807 S \* 6/2006 Dow ..... D7/361  
D657,612 S \* 4/2012 Cloutier ..... D7/354  
9,445,685 B1 9/2016 Diaz  
9,505,542 B2 11/2016 France et al.  
D810,497 S \* 2/2018 Costa Llonch ..... D7/359  
2011/0083563 A1 \* 4/2011 Branson ..... A47J 27/04  
99/410

(21) Appl. No.: **29/739,140**

(22) Filed: **Jun. 23, 2020**

(51) **LOC (13) Cl.** ..... **07-02**

(52) **U.S. Cl.**  
USPC ..... **D7/409**; D7/354; D7/359

(58) **Field of Classification Search**  
USPC ..... D7/323, 332, 335-337, 354-355,  
D7/359-364, 387-388, 402, 407-409  
CPC .... A21B 2/00; A21B 3/00; A21B 3/13; A21B  
3/15; A21B 5/00; A21B 5/02; A23N  
12/06; A23N 12/08; A23N 12/10; A47J  
27/04; A47J 37/00; A47J 37/04; A47J  
37/041; A47J 37/042; A47J 37/049; A47J  
37/06; A47J 37/0688; A47J 37/0694;  
A47J 37/07; A47J 37/0704; A47J 37/10;  
A47J 43/18; A47J 47/20; A47J 2037/00;  
A47J 2037/06; A47J 2037/0611; A47J  
2037/07; A47J 2037/0786; A47J  
2037/0795; F24C 15/10; F24C 15/12;  
F24C 15/14; F24C 15/16; F24C 15/18;  
F24C 15/164

See application file for complete search history.

(56) **References Cited**

**U.S. PATENT DOCUMENTS**

2,362,921 A \* 11/1944 Palensky ..... A21B 5/00  
99/419  
5,195,424 A 3/1993 Guajaca  
5,816,139 A 10/1998 Scorta Paci  
6,125,739 A \* 10/2000 Jernigan ..... A47J 43/18  
99/345  
6,167,799 B1 1/2001 Macias

**OTHER PUBLICATIONS**

Libertyware Steamer/Tamale Platform, 30qt Size—Aluminum—  
TAM30. Product Listing [online]. Copyright © 2020 ChefsFirst.  
[retrieved on Dec. 6, 2019]. Retrieved from the Internet <URL:  
[https://www.chefsfirst.com/ProductDetails.asp?ProductCode=LWTAM30&click=2&gclid=Cj0KCQiAz53vBRCpARIsAPPsZ8XIICymuINB8\\_OQF4emslch8k6TUgE6L2NRiQJbWbTRB41G2E3EDm4aAniMEALw\\_wcB](https://www.chefsfirst.com/ProductDetails.asp?ProductCode=LWTAM30&click=2&gclid=Cj0KCQiAz53vBRCpARIsAPPsZ8XIICymuINB8_OQF4emslch8k6TUgE6L2NRiQJbWbTRB41G2E3EDm4aAniMEALw_wcB)>.

\* cited by examiner

*Primary Examiner* — Ricky Pham

(74) *Attorney, Agent, or Firm* — Cramer Patent & Design,  
PLLC; Aaron R. Cramer

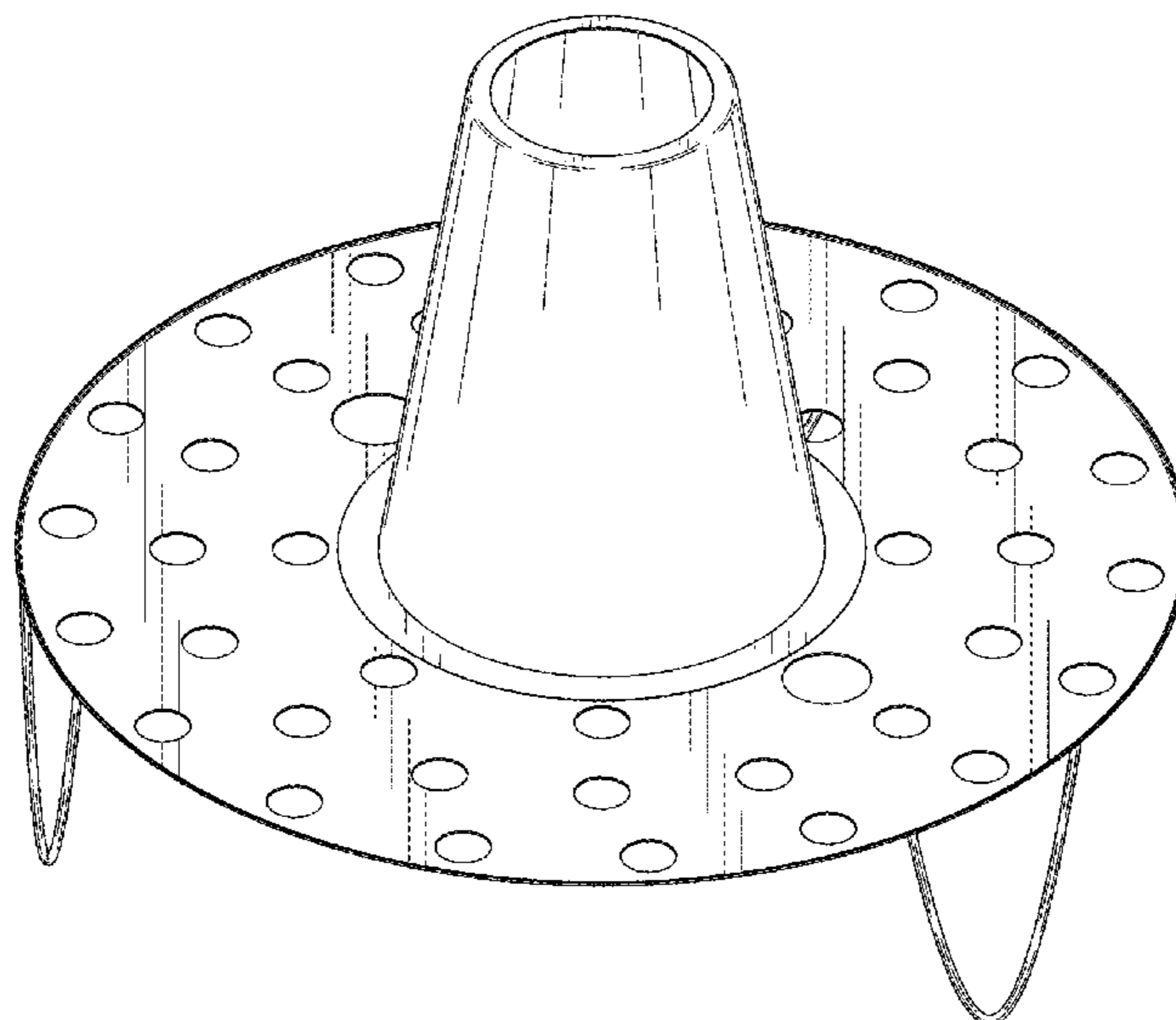
(57) **CLAIM**

The ornamental design for a steamer insert, as shown and  
described.

**DESCRIPTION**

FIG. 1 is a perspective top front right view of a steamer  
insert, showing my new design;  
FIG. 2 is a perspective top rear left view thereof;  
FIG. 3 is a front elevation view thereof;  
FIG. 4 is a rear elevation view thereof;  
FIG. 5 is a left elevation view thereof;  
FIG. 6 is a right elevation view thereof;  
FIG. 7 is a top plan view thereof; and,  
FIG. 8 is a bottom plan view thereof.

**1 Claim, 8 Drawing Sheets**



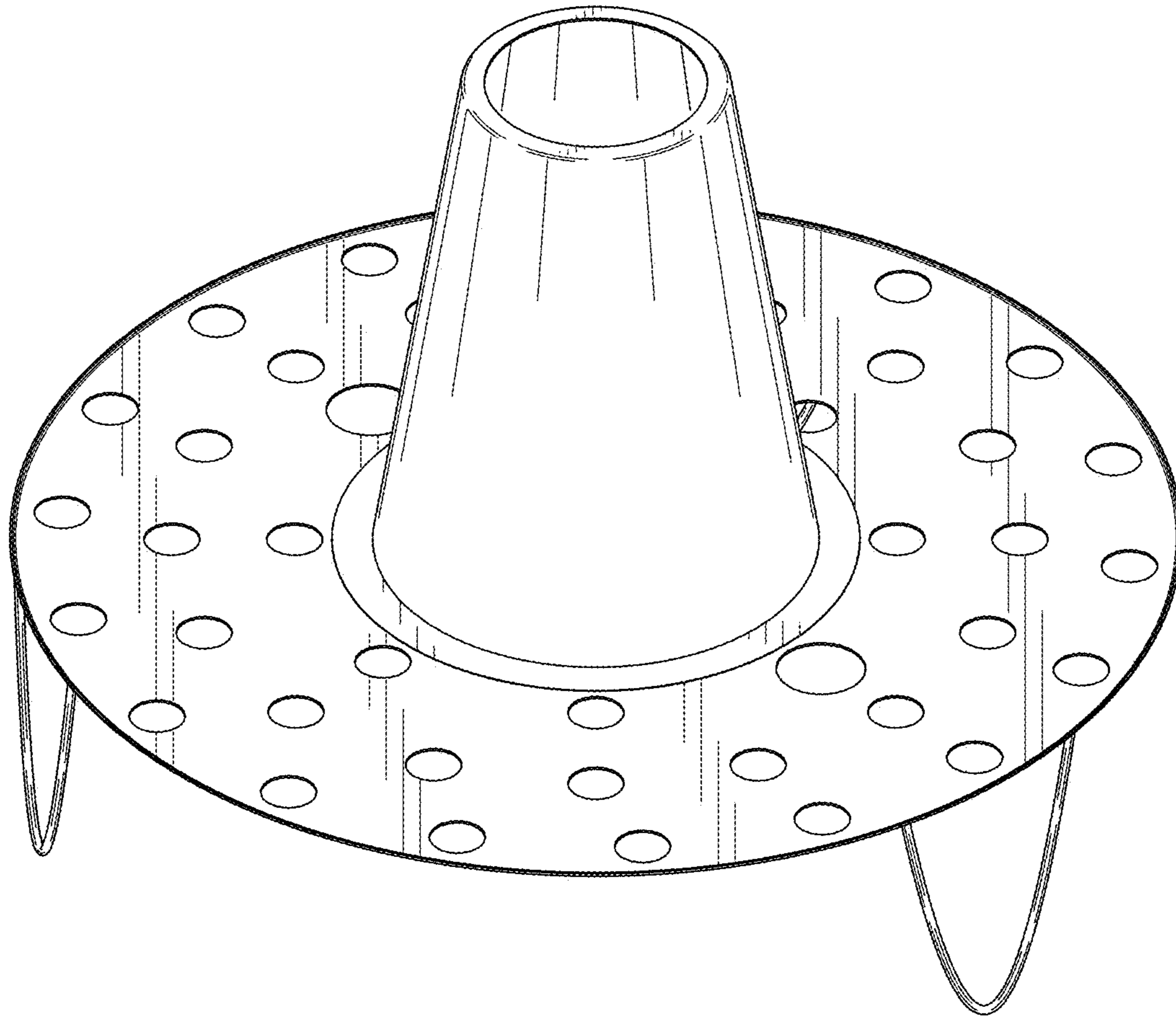


FIG. 1

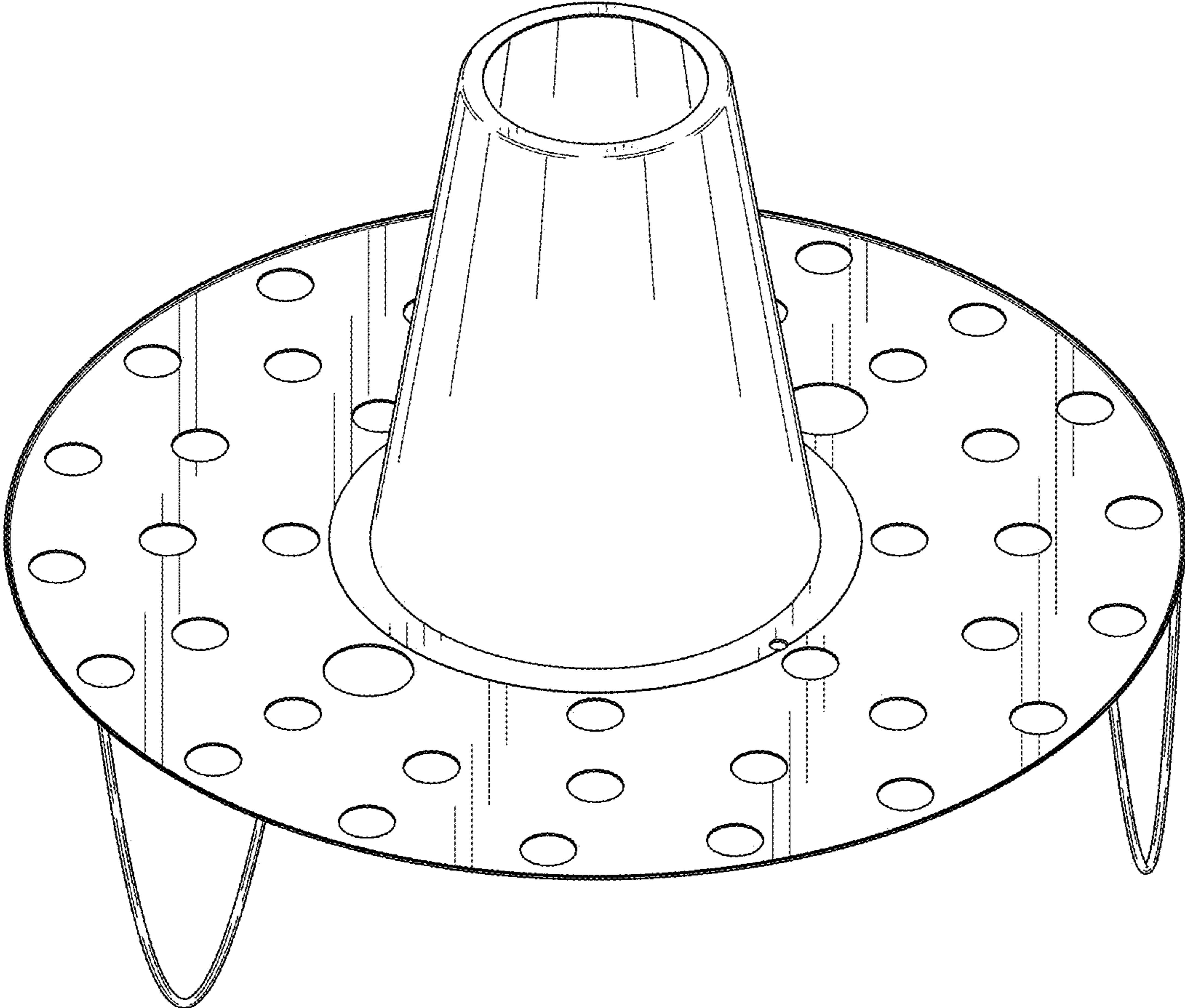


FIG. 2

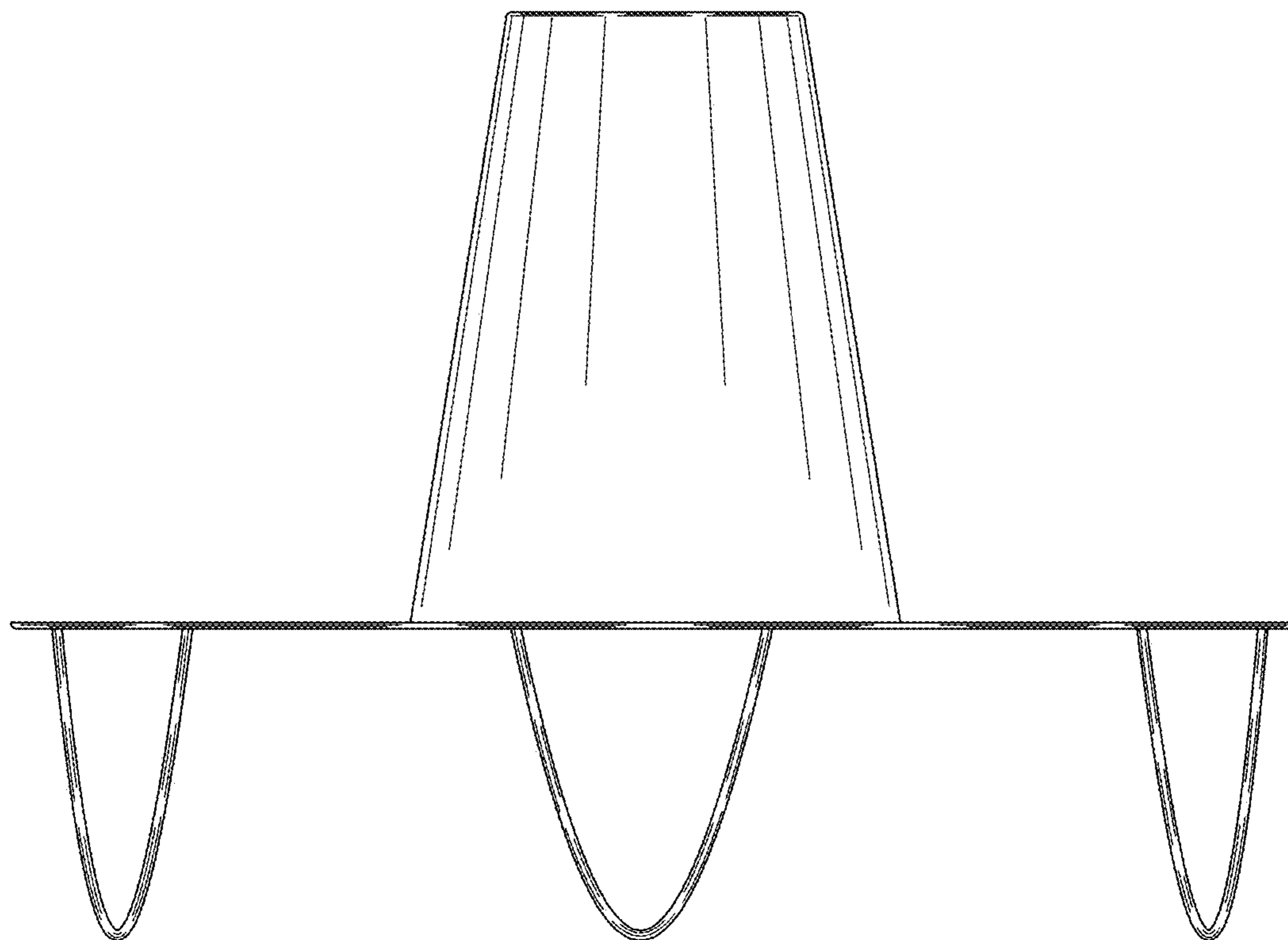


FIG. 3

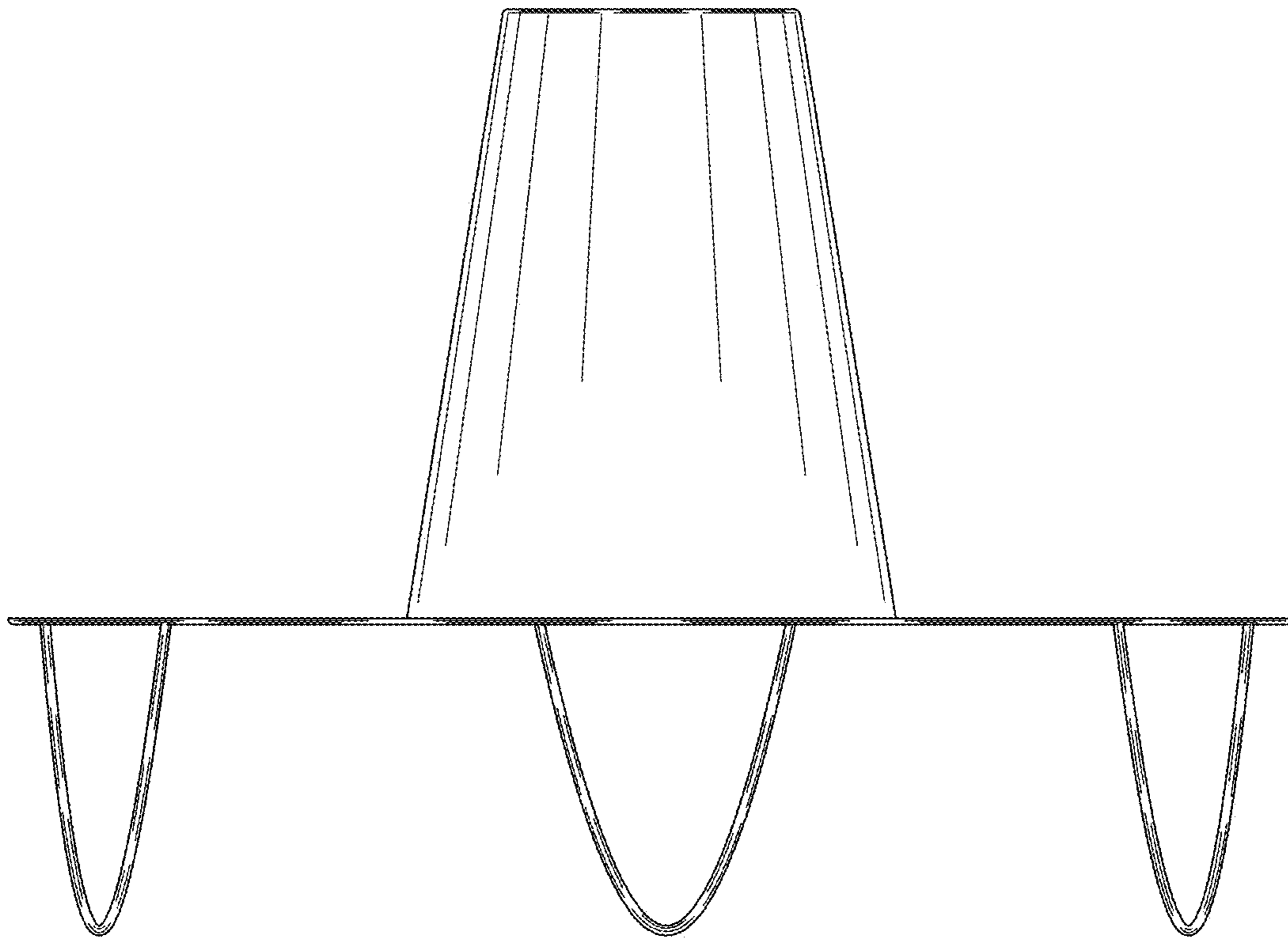


FIG. 4

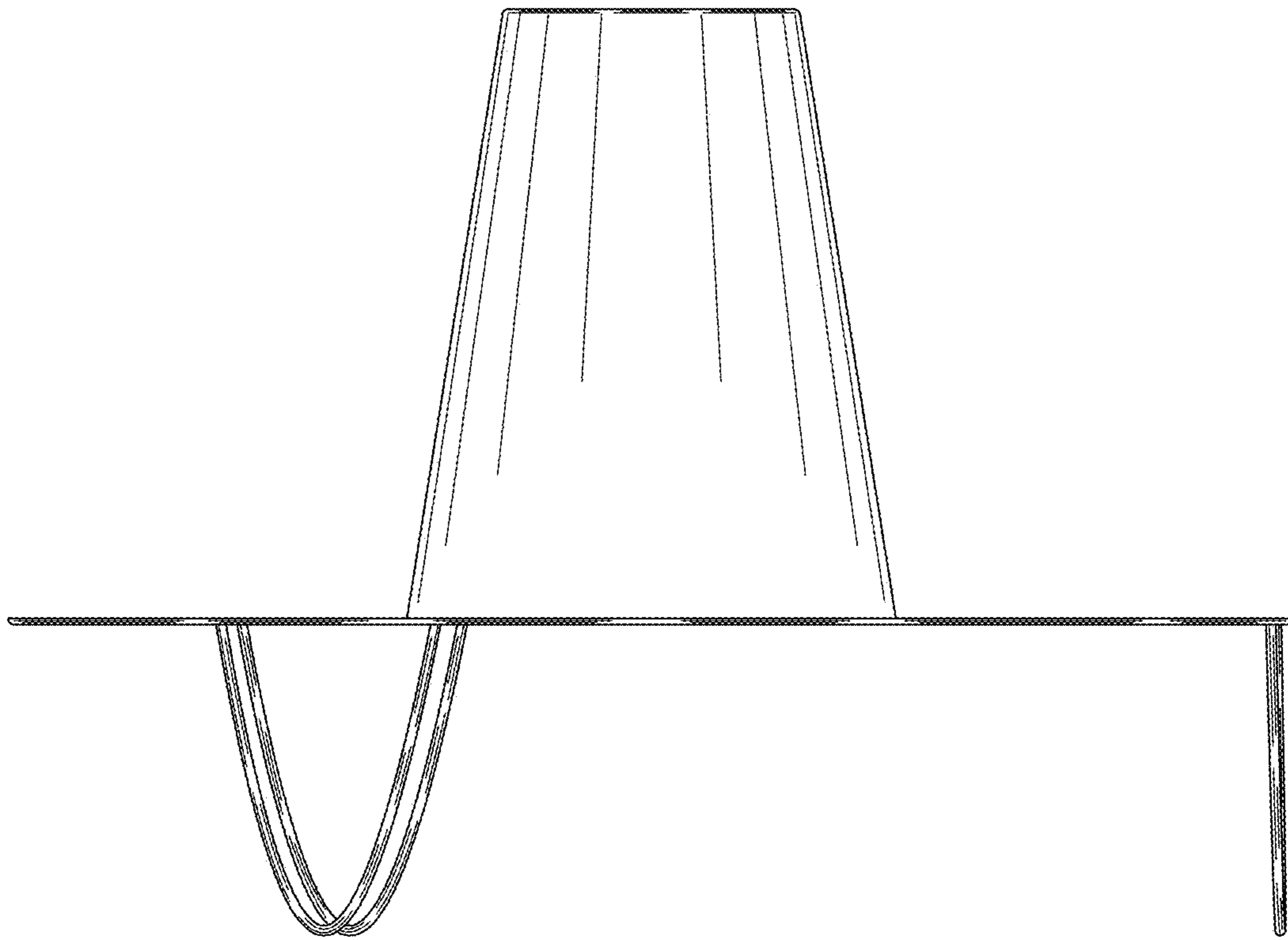


FIG. 5

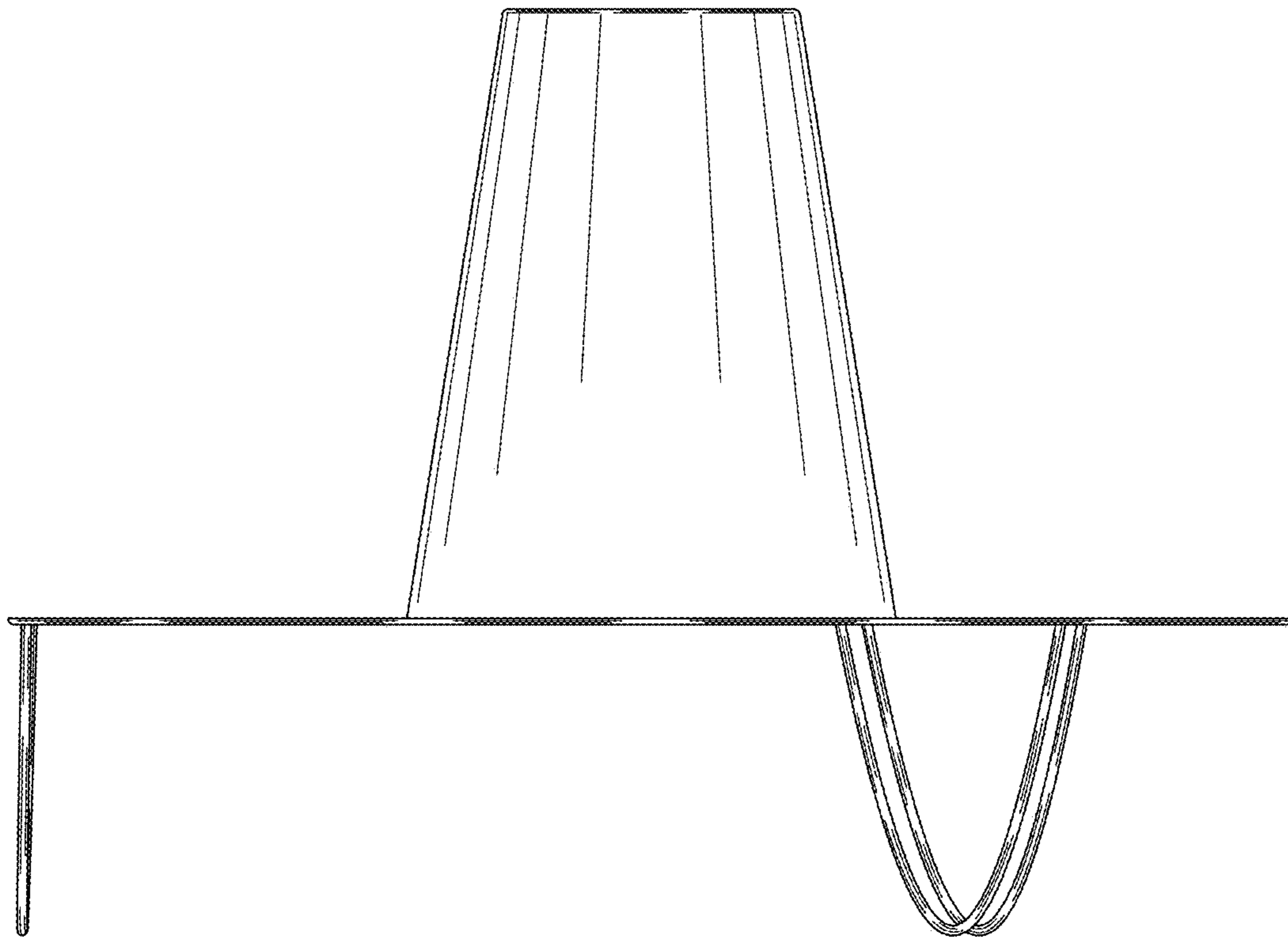


FIG. 6

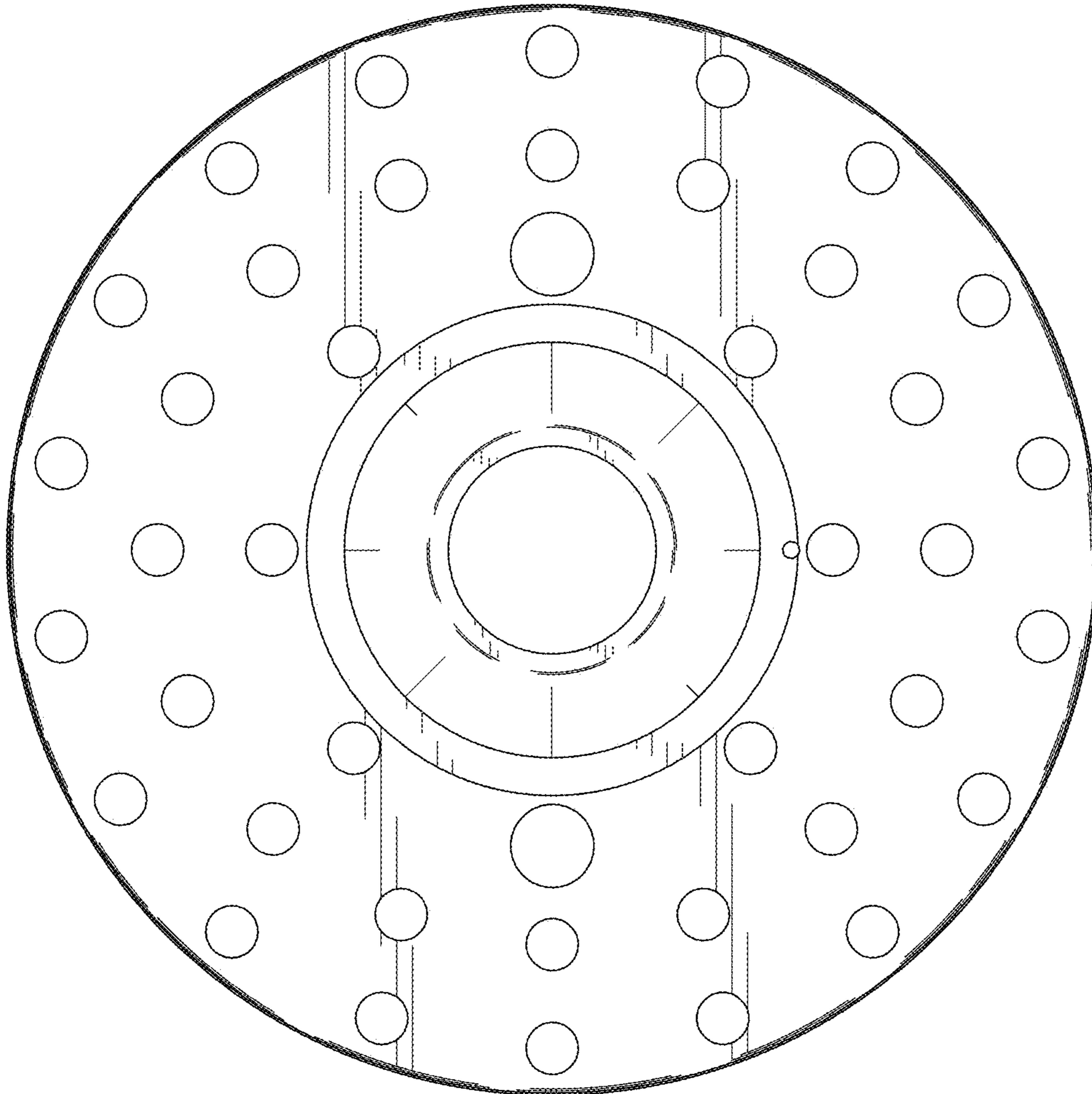


FIG. 7



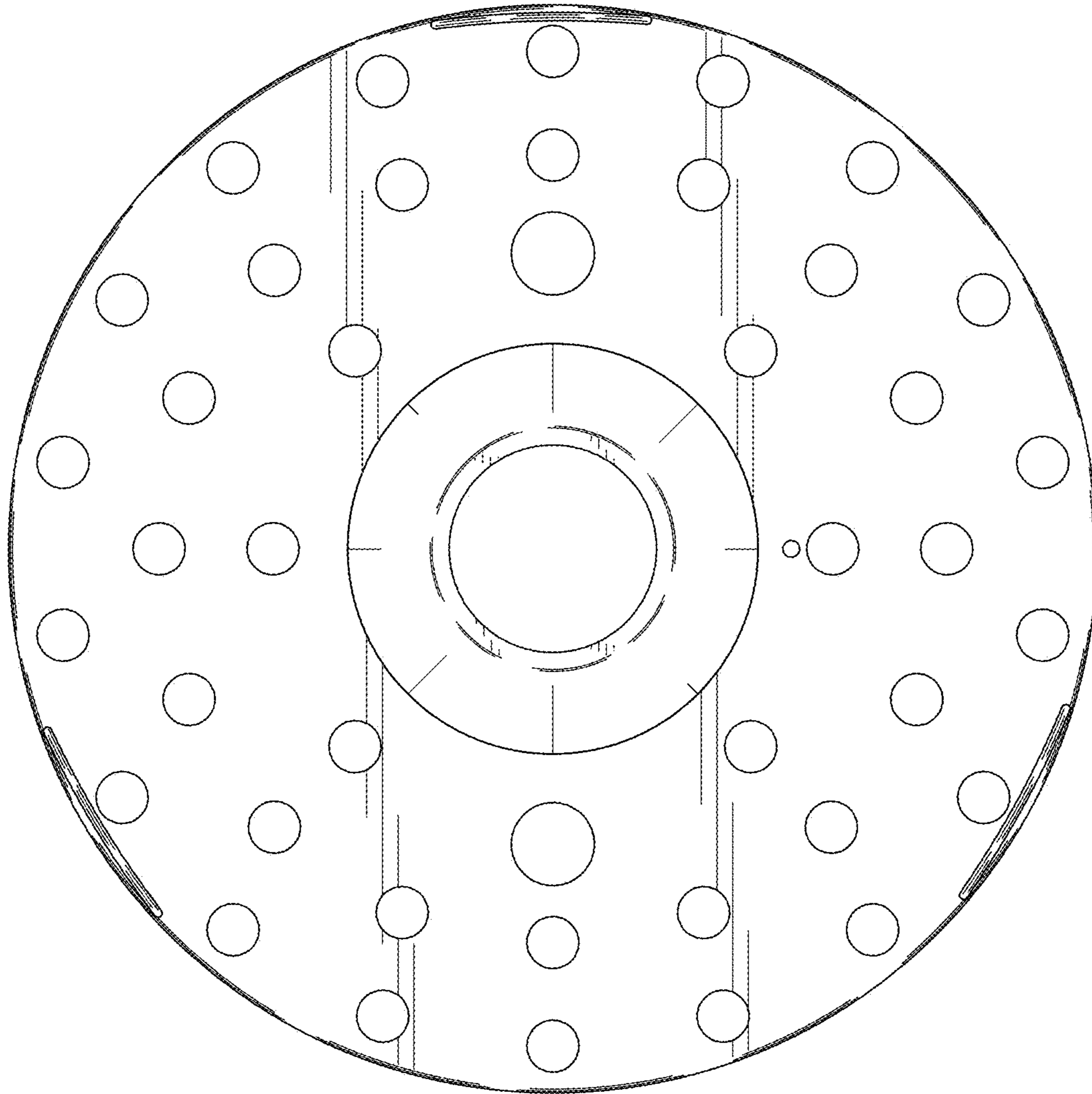


FIG. 8