



US00D925978S

(12) **United States Design Patent** (10) **Patent No.:** **US D925,978 S**
Lah et al. (45) **Date of Patent:** **** Jul. 27, 2021**

(54) **COOKING APPLIANCE**

(71) Applicant: **WHIRLPOOL CORPORATION**,
Benton Harbor, MI (US)

(72) Inventors: **Michael Lah**, Benton Harbor, MI (US);
Anish Lale, Pune (IN); **Nehal A. Sayankar**, Pune (IN); **Michael Dean Clark**, Skiatook, OK (US)

(73) Assignee: **Whirlpool Corporation**, Benton Harbor, MI (US)

(**) Term: **15 Years**

(21) Appl. No.: **29/710,398**

(22) Filed: **Oct. 23, 2019**

(51) **LOC (13) Cl.** **07-02**

(52) **U.S. Cl.**
USPC **D7/406**

(58) **Field of Classification Search**

USPC D7/332-334, 337, 339-341, 346, 348, D7/349, 354, 360, 361, 391, 393-396, D7/402, 406; D8/300, 303, 310, 311, D8/315, 321; D15/89; D32/5, 6, 8, 25, D32/28

CPC .. A47J 27/00; A47J 36/00; A47J 36/06; A47J 37/0623; A47J 37/0647; A47J 37/07; A47J 37/0713; A47J 37/0727; A47J 37/074; A47J 37/0763; A47J 37/10; A47J 37/101; A47J 45/06; A47J 45/061; A47J 45/062; A47J 45/063; A47J 45/068; A47J 45/07; A47J 45/071; A47J 45/072; A47J 45/074; F24B 1/00; F24B 1/191; F24B 1/20; F24C 1/00; F24C 3/00; F24C 3/002; F24C 3/008; F24C 3/02; F24C 3/04; F24C 3/042; F24C 3/047; F24C 3/06; F24C 3/062; F24C 3/067; F24C 15/16; F24C 15/168; F24C 15/26

See application file for complete search history.

(56) **References Cited**

U.S. PATENT DOCUMENTS

D441,149 S * 4/2001 Bournay, Jr. D32/3
D646,519 S * 10/2011 Kim D7/346
D710,645 S * 8/2014 Kim D7/340
D794,998 S * 8/2017 Cho D7/340
D836,374 S * 12/2018 Kim D7/340
D867,064 S * 11/2019 Funnell, II F24C 3/103
D7/405
2017/0089585 A1 * 3/2017 Jeong F24C 3/103

OTHER PUBLICATIONS

Whirlpool Gas Range WFG525S0JZ, Whirlpool, [online], [site visited Mar. 3, 2021], Available from internet URL: <https://www.whirlpool.com/kitchen/cooking/ranges/single-oven-freestanding/p.5.0-cu.-ft.-whirlpool-gas-range-with-center-oval-burner.wfg525s0jz.html?1/13> (Year: 2021).*

* cited by examiner

Primary Examiner — Mary Ann Calabrese
Assistant Examiner — Natalya M Rapundalo
(74) *Attorney, Agent, or Firm* — Price Heneveld LLP

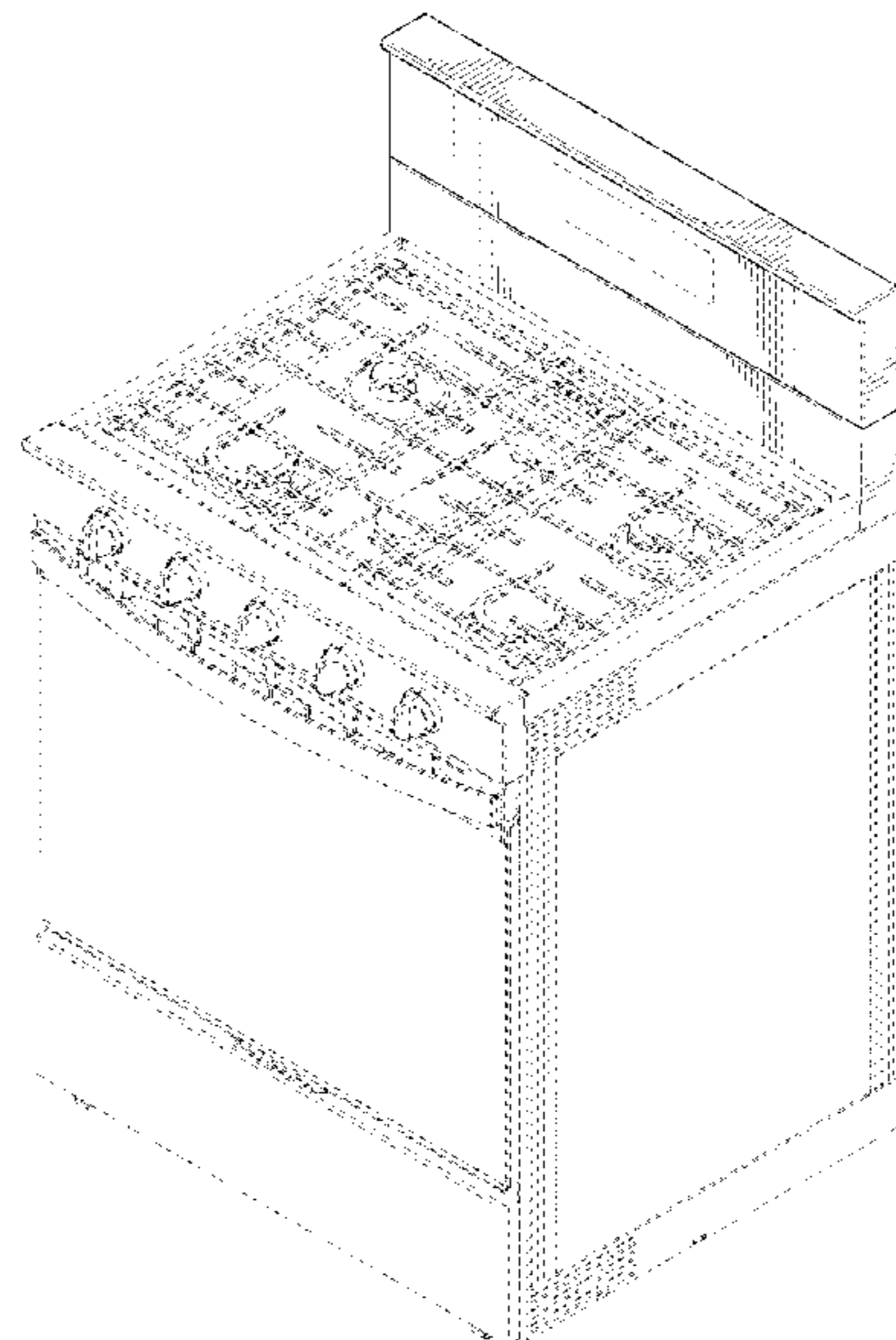
(57) **CLAIM**

The ornamental design for a cooking appliance, as shown and described.

DESCRIPTION

FIG. 1 is a perspective view of a cooking appliance according to the design;
FIG. 2 is a front elevation view thereof;
FIG. 3 is a right side elevation view thereof;
FIG. 4 is a back elevation view thereof;
FIG. 5 is a left side elevation view thereof;
FIG. 6 is a top plan view thereof; and,
FIG. 7 is a bottom plan view thereof.
The portions of the article shown in broken line form no part of the claimed design.

1 Claim, 7 Drawing Sheets



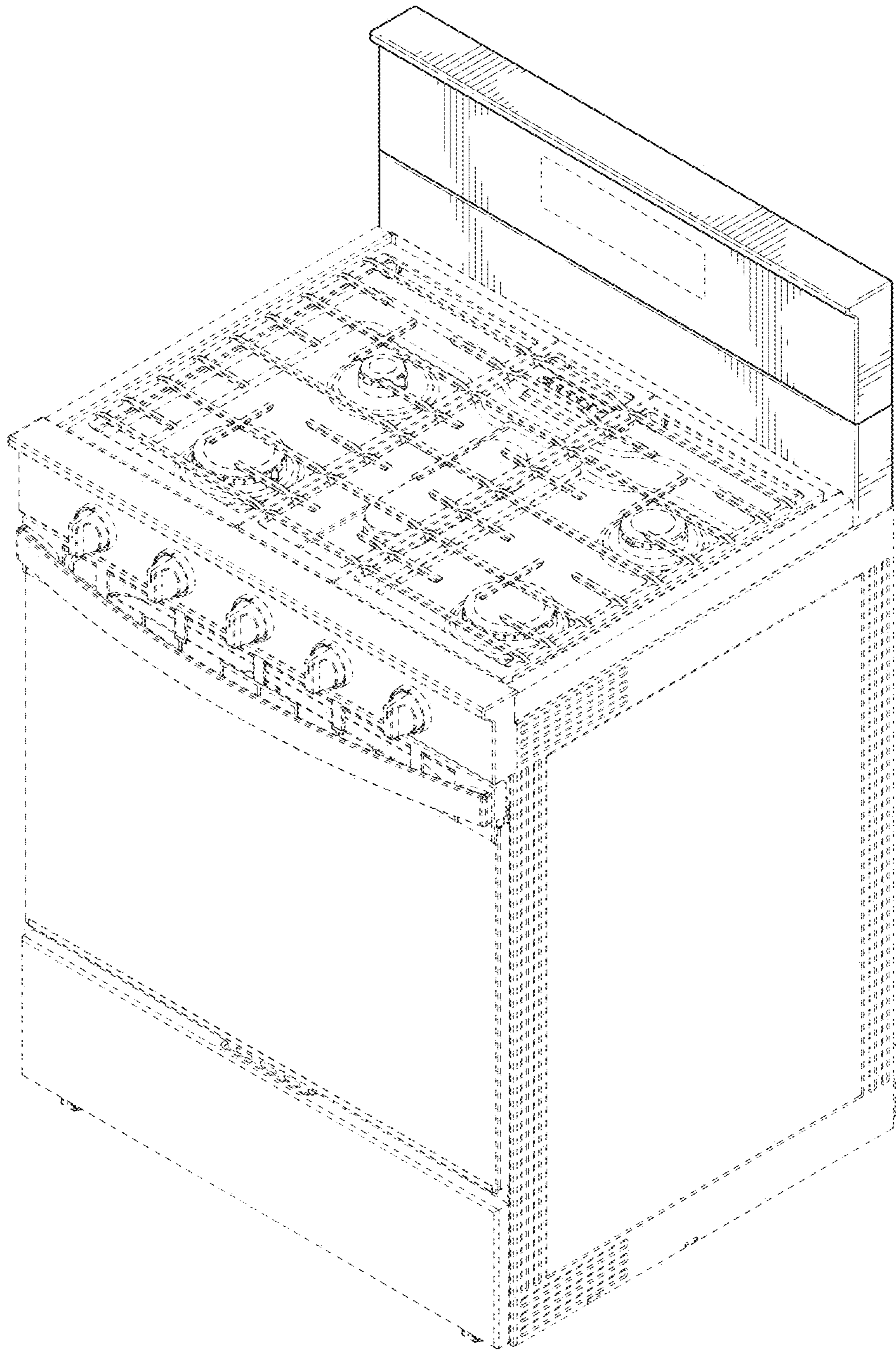


FIG. 1

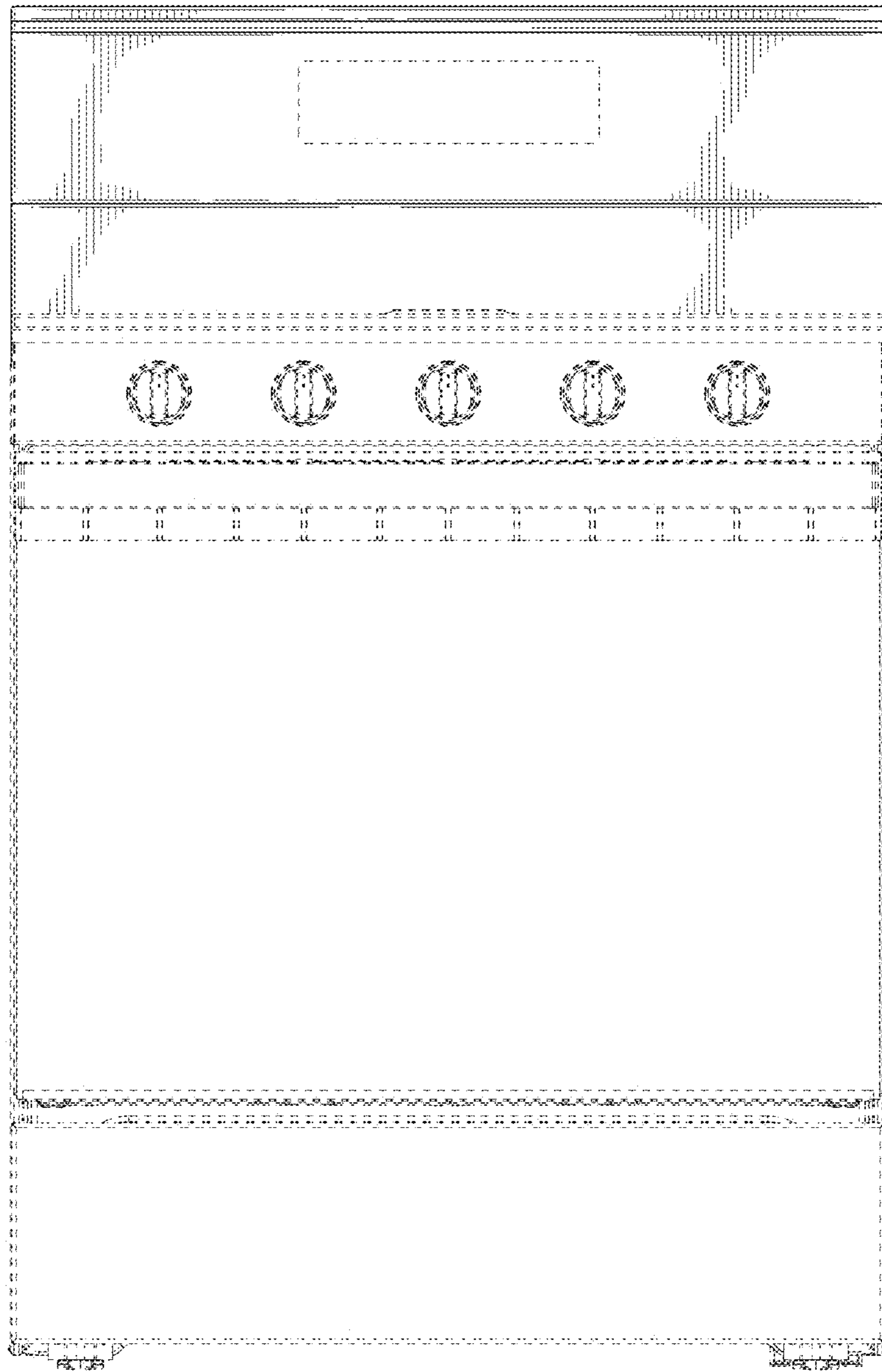


FIG. 2

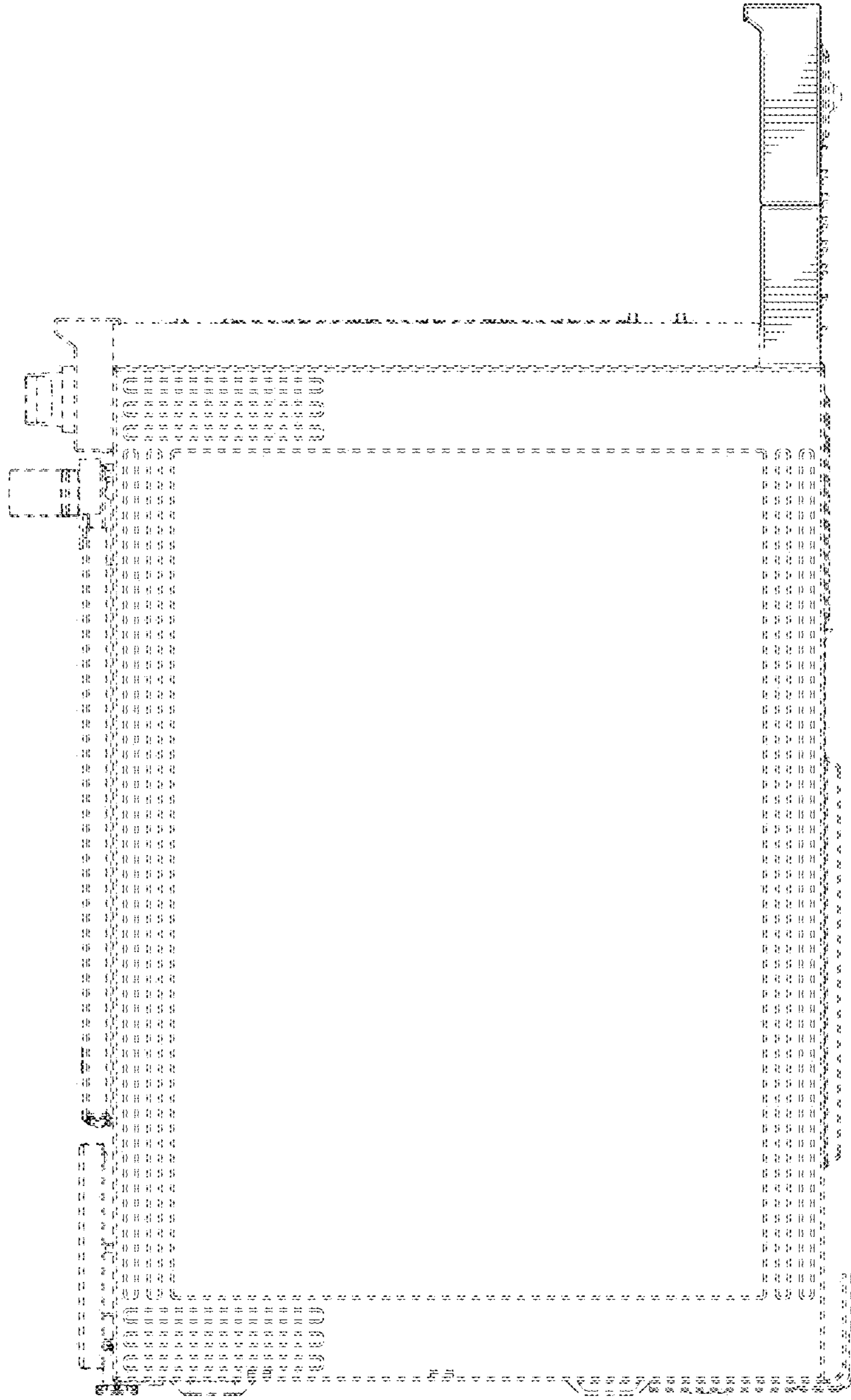


FIG. 3

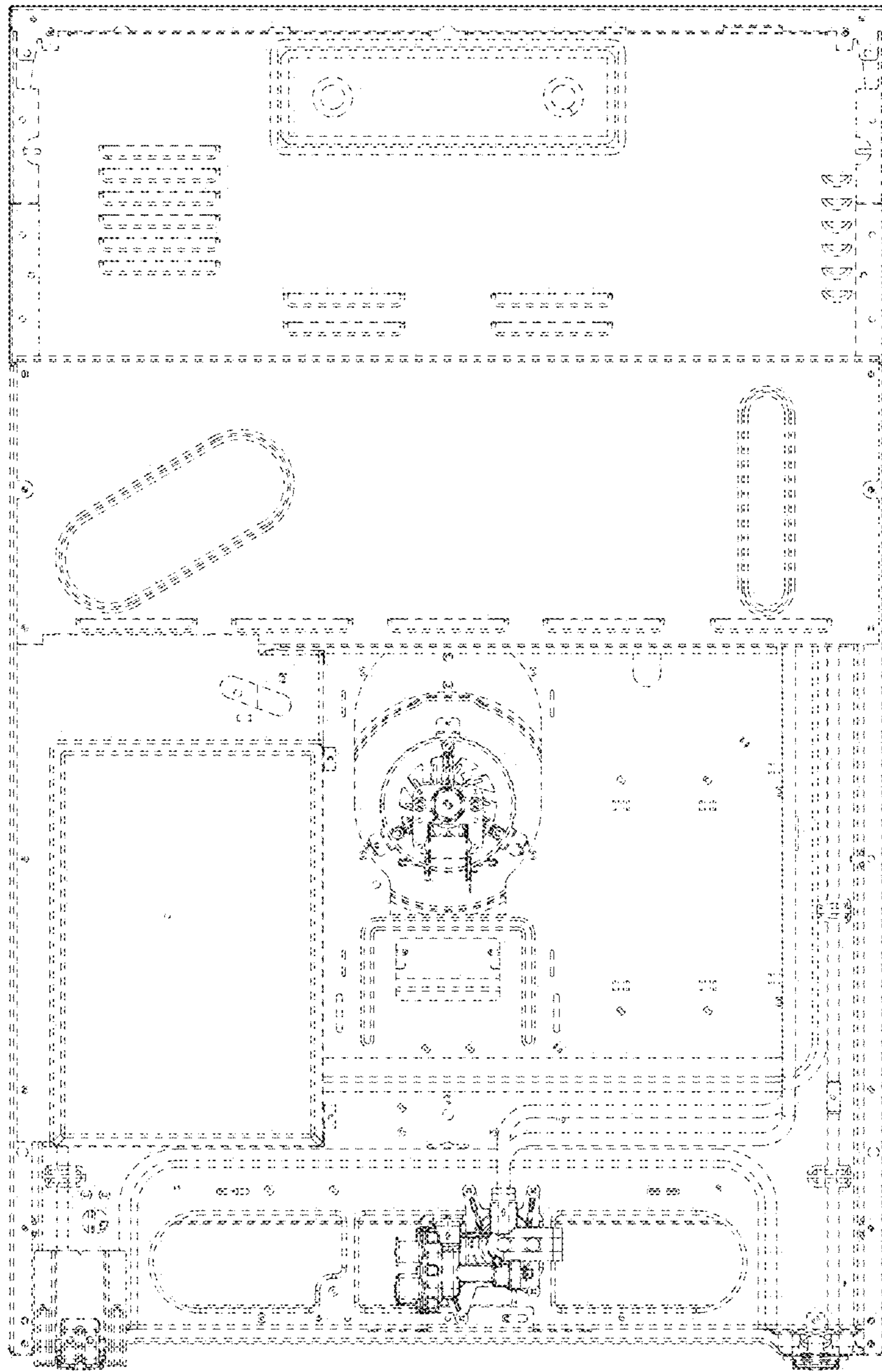


FIG. 4

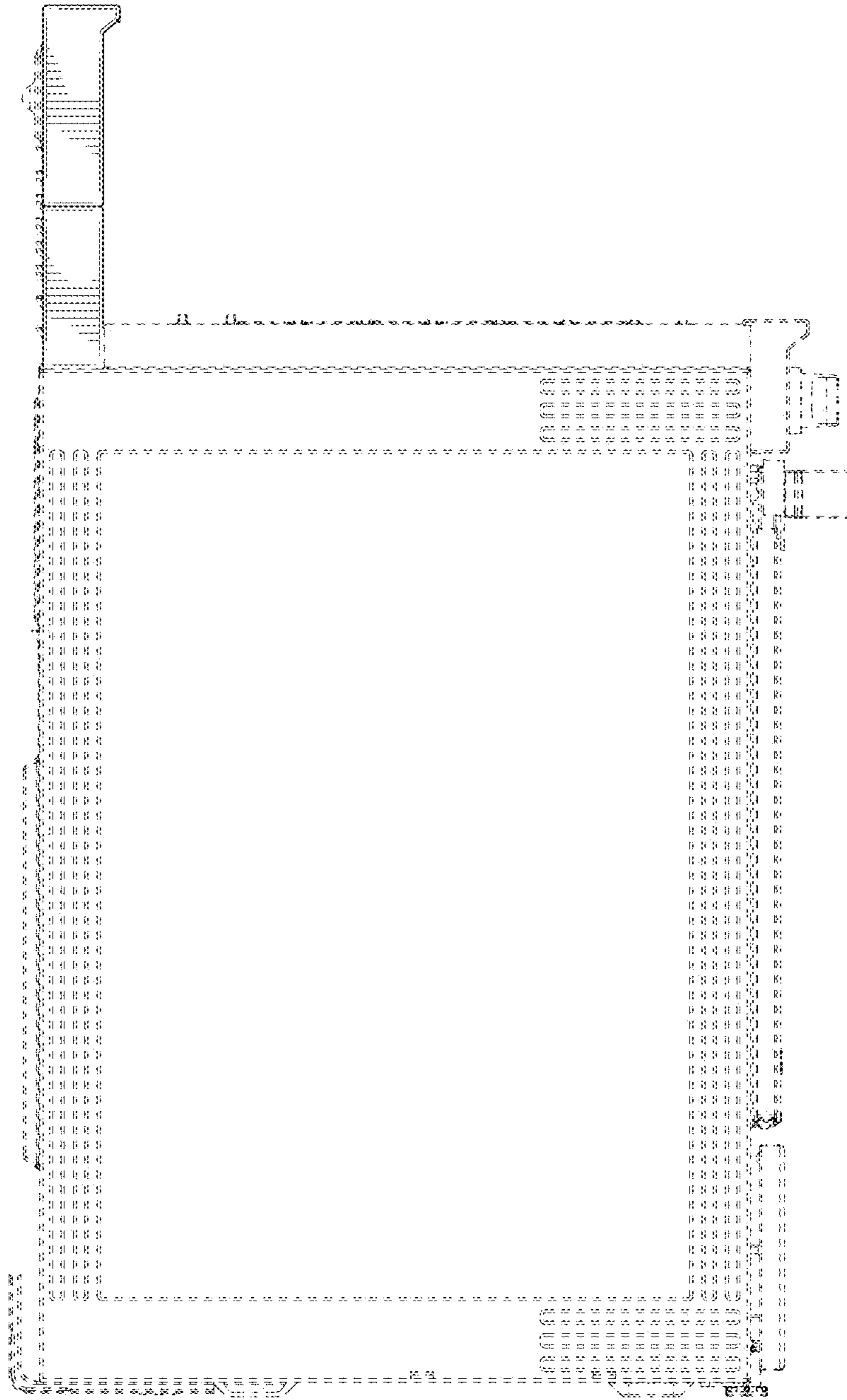


FIG. 5

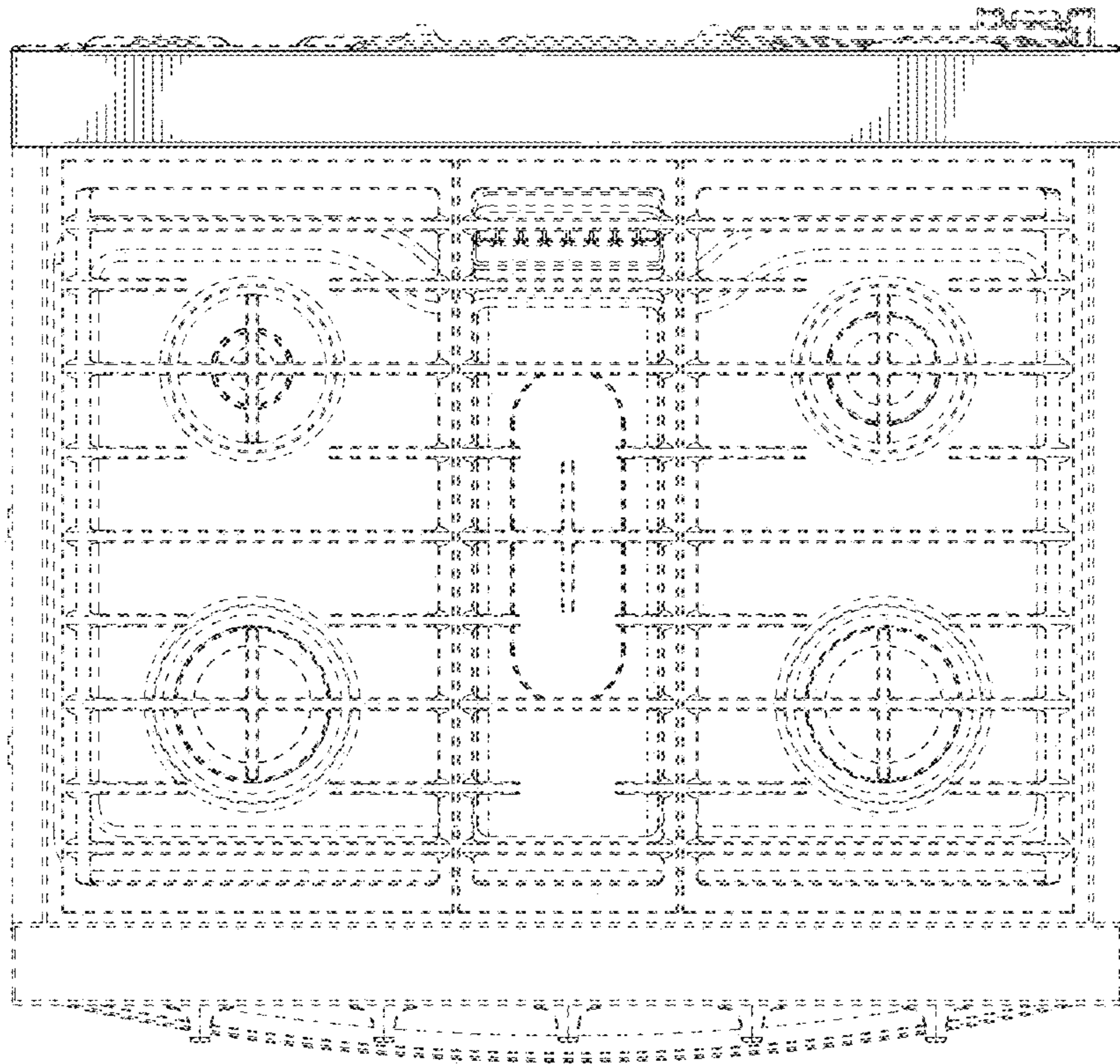


FIG. 6

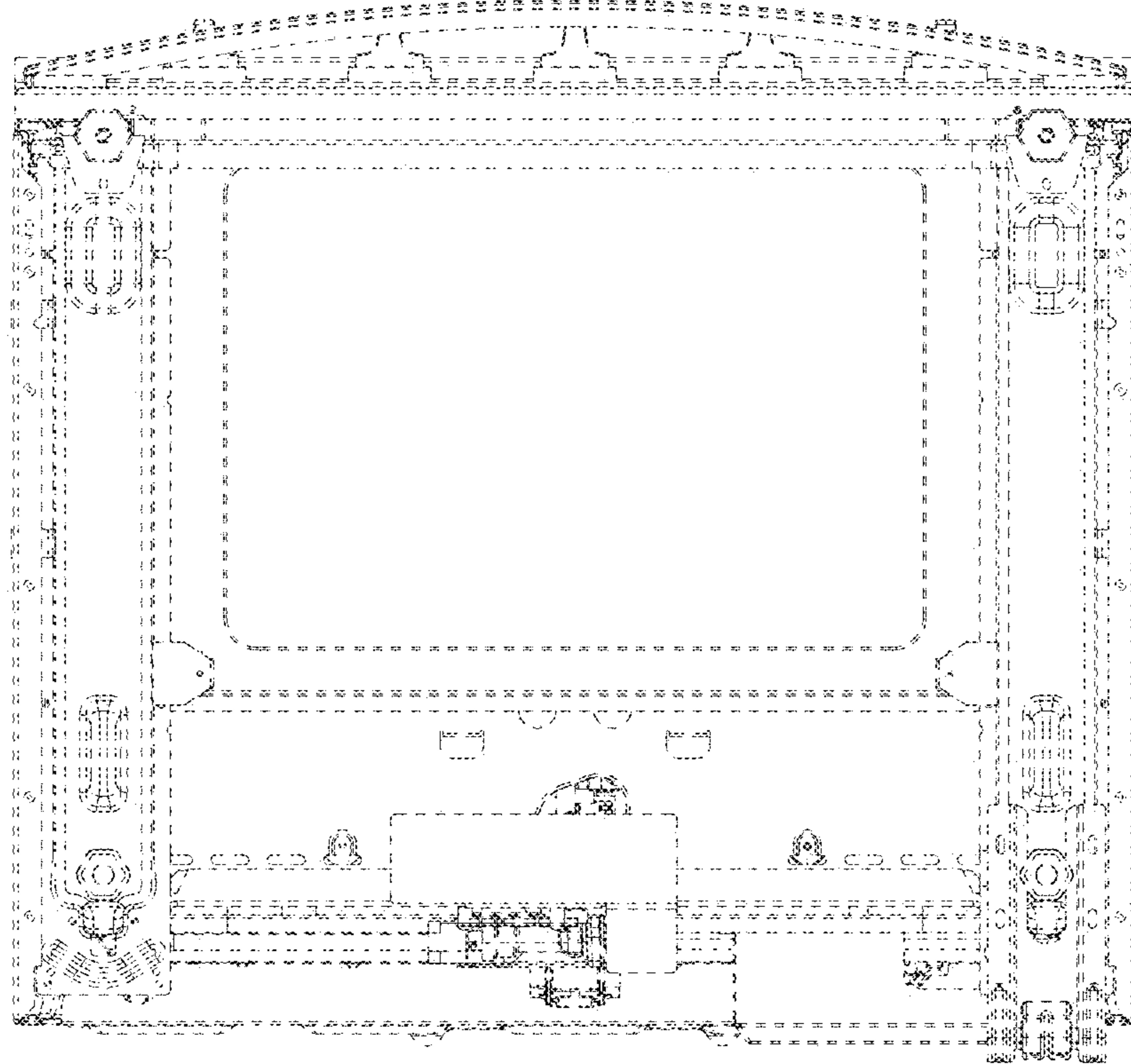


FIG. 7