



US00D925976S

(12) **United States Design Patent**  
**Konetzka et al.**

(10) **Patent No.:** **US D925,976 S**

(45) **Date of Patent:** **\*\* Jul. 27, 2021**

(54) **PAN HANDLE**

(71) Applicant: **Fissler GmbH**, Idar-Oberstein (DE)

(72) Inventors: **Tim Konetzka**, Augsburg (DE);  
**Hyung-Chul Kim**, Yongin-si (KR);  
**Karsten Küber**, Offenbach (DE)

(73) Assignee: **FISSLER GmbH**

(\*\*) Term: **15 Years**

(21) Appl. No.: **35/508,828**

(22) Filed: **Sep. 10, 2019**

(80) **Hague Agreement Data**

Int. Filing Date: **Sep. 10, 2019**

Int. Reg. No.: **DM/206510**

Int. Reg. Date: **Sep. 10, 2019**

Int. Reg. Pub. Date: **Mar. 20, 2020**

(51) **LOC (13) Cl.** ..... **07-02**

(52) **U.S. Cl.**

USPC ..... **D7/395**

(58) **Field of Classification Search**

USPC ..... D8/300, 303, 307, 313, 321; D4/129,  
D4/138; D7/354-361, 393-395, 401.2,  
D7/664, 107

CPC ..... Y10S 220/912; B65D 25/2802; B65D  
25/2882; B65D 25/2885; B65D 25/2888;  
B65D 25/2894

See application file for complete search history.

(56) **References Cited**

**U.S. PATENT DOCUMENTS**

3,203,029 A \* 8/1965 Serio ..... A47J 45/071  
16/422  
D530,148 S \* 10/2006 Knorr ..... D7/395  
D729,002 S \* 5/2015 Barberi ..... D7/395  
D736,032 S \* 8/2015 Munari ..... D7/395

D814,858 S \* 4/2018 Dodane ..... D7/393  
D827,368 S \* 9/2018 Colston ..... A47J 45/08  
D7/402  
10,736,467 B1 \* 8/2020 Olszewski ..... A47J 43/288

(Continued)

*Primary Examiner* — Michael A. Pratt

(74) *Attorney, Agent, or Firm* — Foley & Lardner LLP

(57) **CLAIM**

The ornamental design for pan handle, as shown and described.

**DESCRIPTION**

FIGS. 3.1-4.7: Pan handle

FIG. 3.1 is a top plan view of a pan handle of the claimed design according to one embodiment;

FIG. 3.2 is a perspective view of the pan handle shown in FIG. 3.1;

FIG. 3.3 is a back elevational view of the pan handle shown in FIG. 3.1;

FIG. 3.4 is a left elevational view of the pan handle shown in FIG. 3.1;

FIG. 3.5 is a right elevational view of the pan handle shown in FIG. 3.1;

FIG. 3.6 is a bottom plan view of the pan handle shown in FIG. 3.1;

FIG. 4.1 is a perspective view of a pan handle of the claimed design according to another embodiment;

FIG. 4.2 is a front elevational view of the pan handle shown in FIG. 4.1;

FIG. 4.3 is a top plan view of the pan handle shown in FIG. 4.1;

FIG. 4.4 is a back elevational view of the pan handle shown in FIG. 4.1;

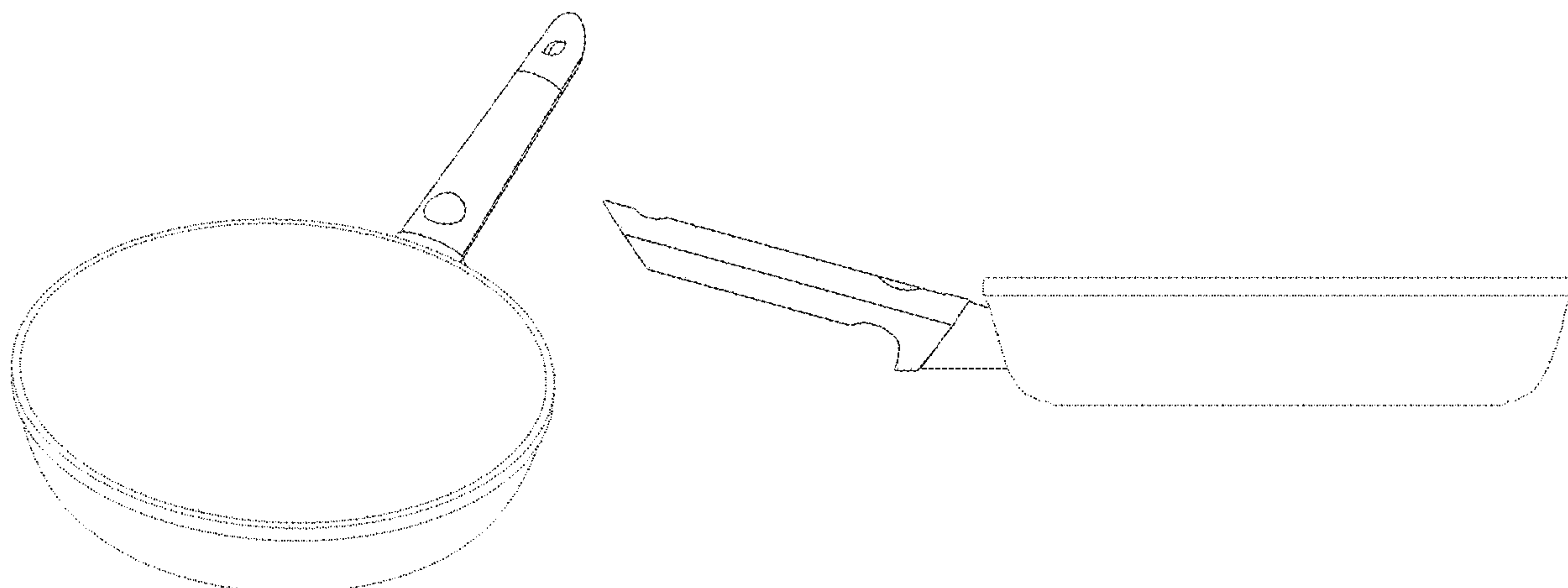
FIG. 4.5 is a right elevational view of the pan handle shown in FIG. 4.1;

FIG. 4.6 is a left elevational view of the pan handle shown in FIG. 4.1; and

FIG. 4.7 is a bottom plan view of the pan handle shown in FIG. 4.1.

The broken line showing of a pan is included for the purpose of illustrating environment and forms no part of the claimed design.

**1 Claim, 13 Drawing Sheets**



(56)

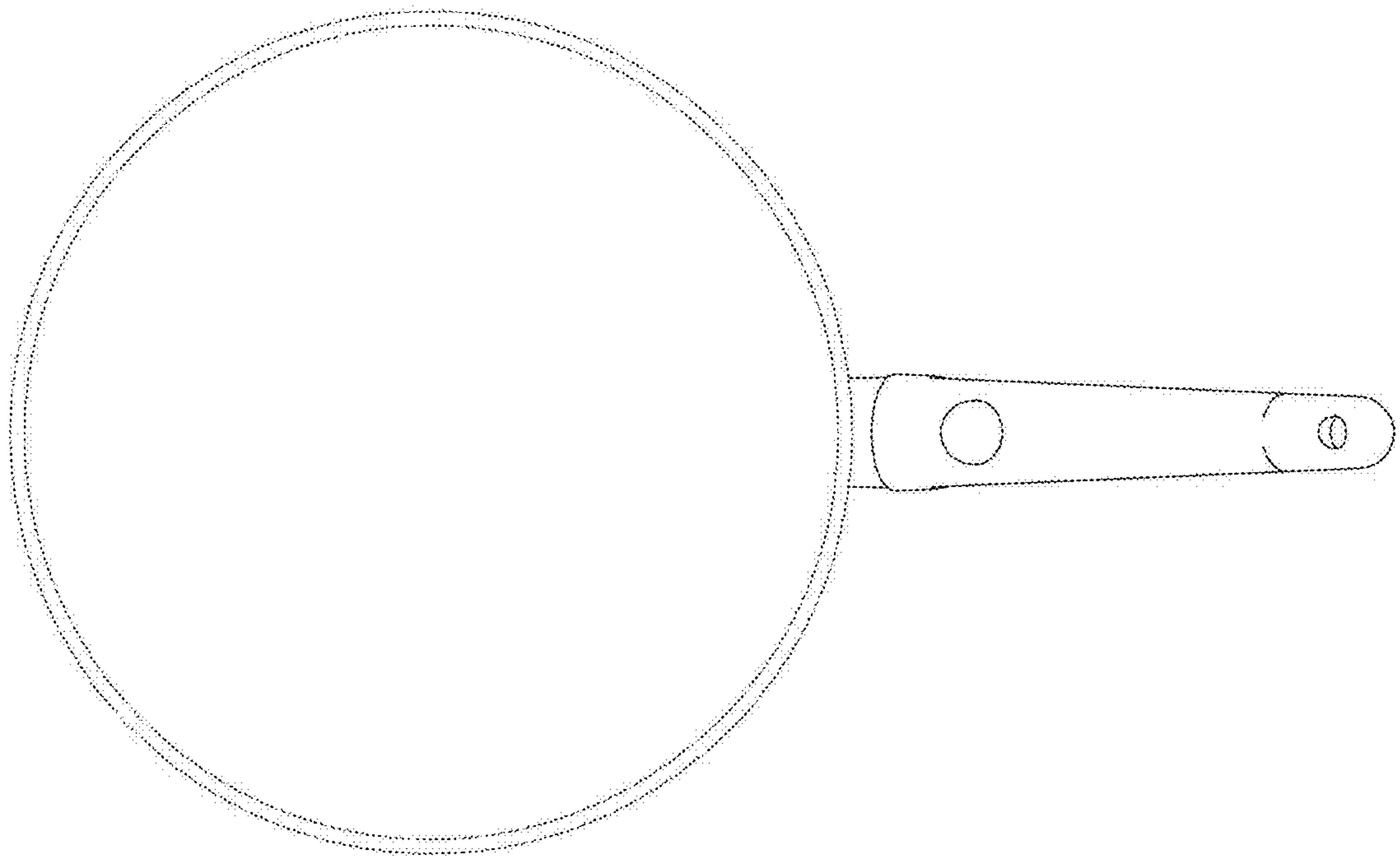
**References Cited**

U.S. PATENT DOCUMENTS

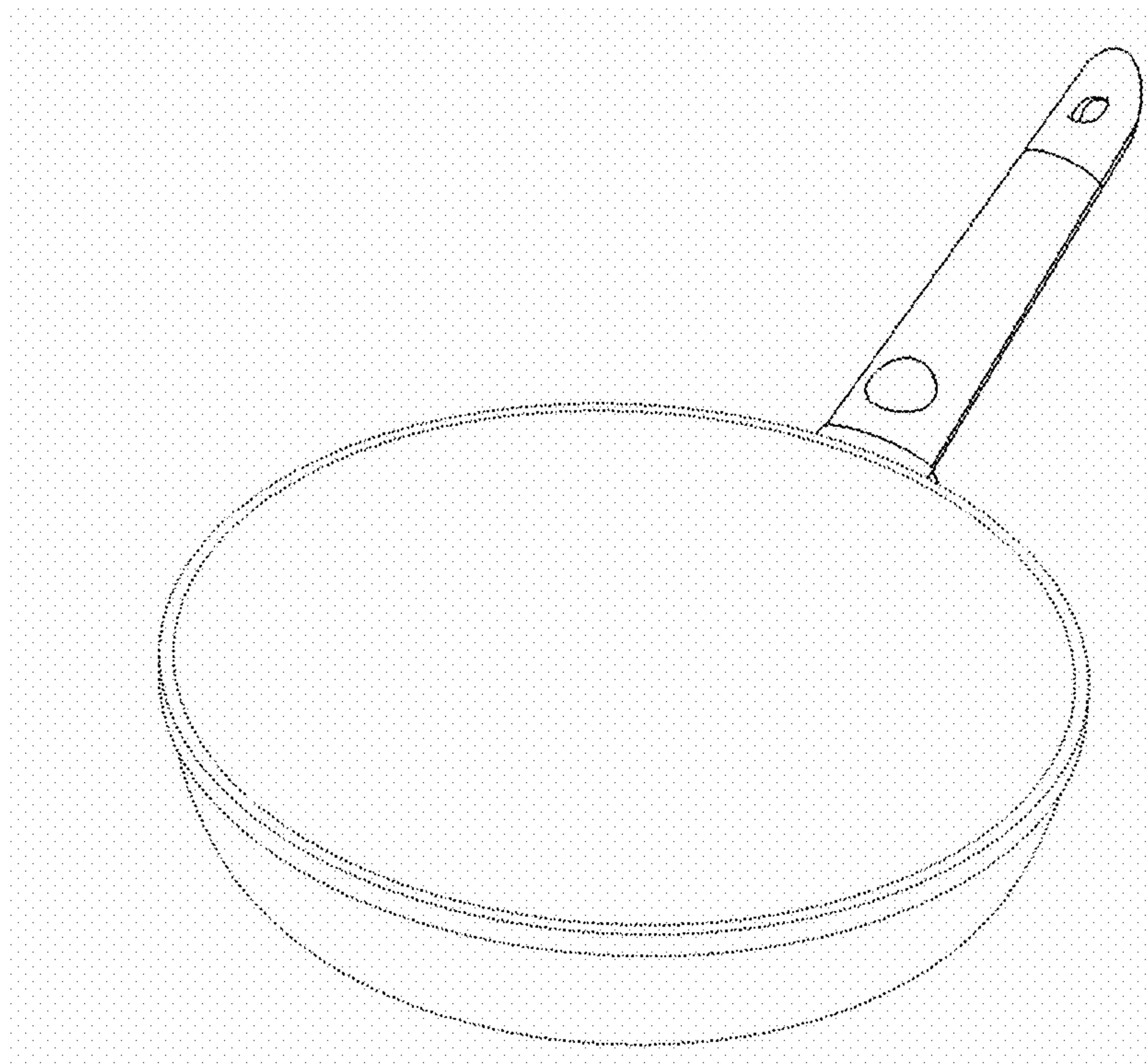
2007/0227366 A1\* 10/2007 Garziera ..... A47J 45/061  
99/422  
2007/0228056 A1\* 10/2007 Hoff ..... A47J 45/08  
220/759  
2012/0073085 A1\* 3/2012 Munari ..... A47J 45/071  
16/425  
2012/0255951 A1\* 10/2012 Grozinger ..... A47J 27/08  
220/203.07  
2017/0231416 A1\* 8/2017 Barberi ..... A47J 45/061  
220/573.1  
2018/0070777 A1\* 3/2018 Dichraff ..... A47J 45/071  
2019/0000277 A1\* 1/2019 Munari ..... A47J 45/061  
2020/0245819 A1\* 8/2020 Besche ..... A47J 45/07

\* cited by examiner

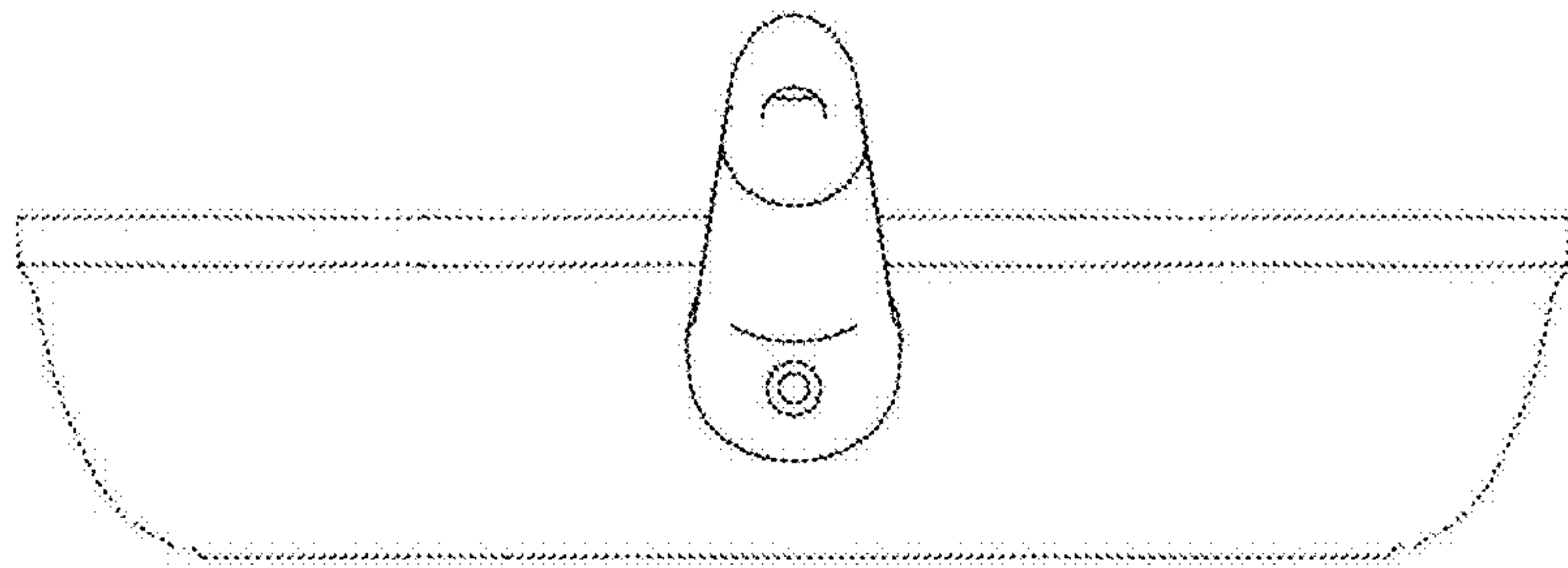
3.1



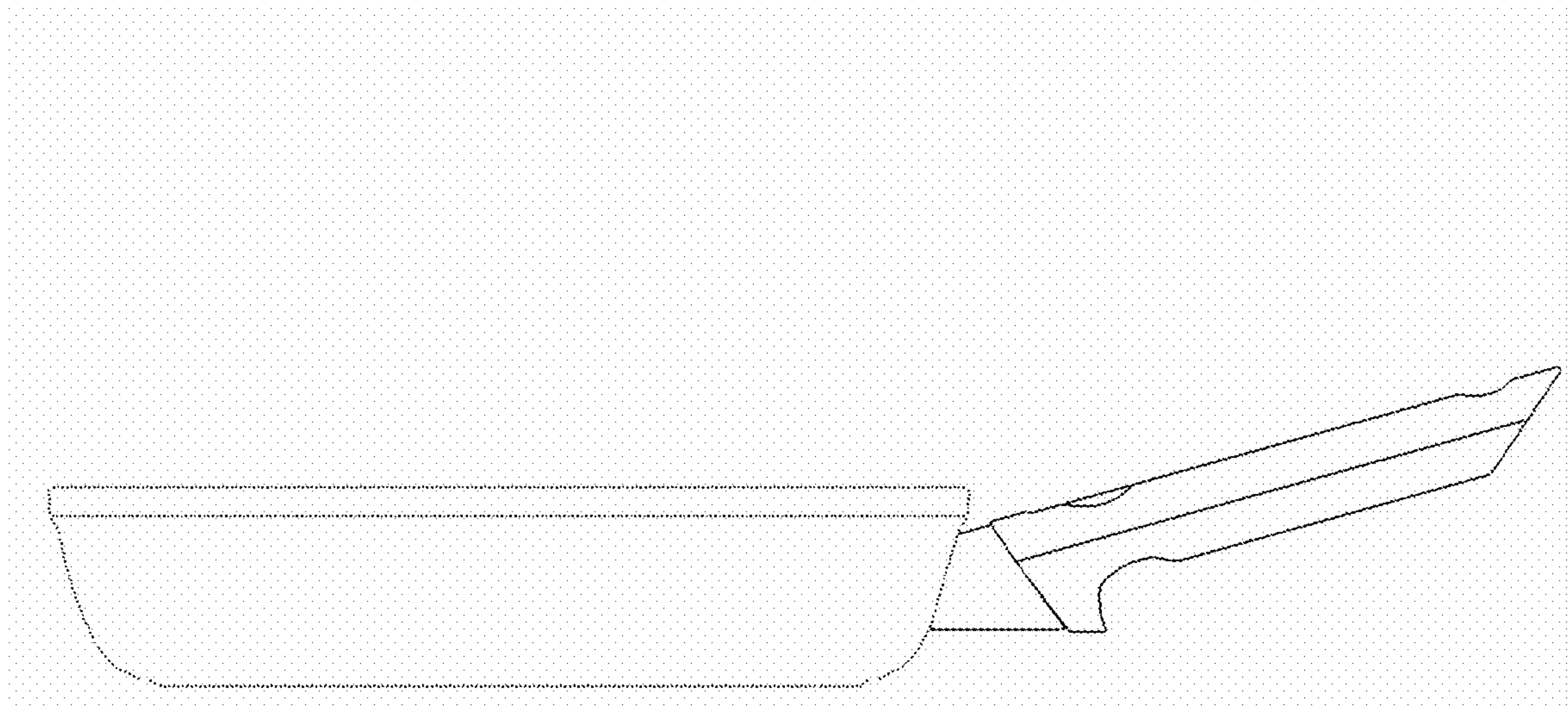
3.2



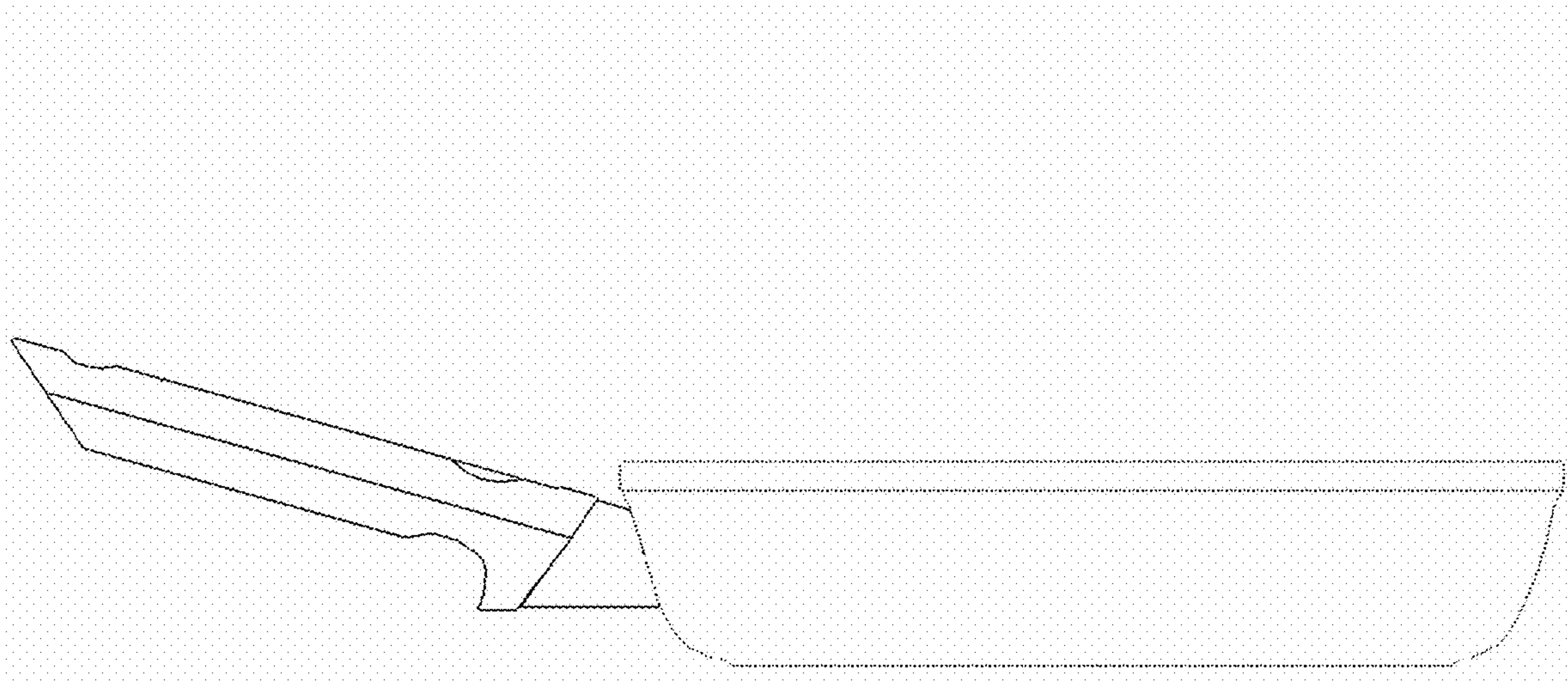
3.3



3.4

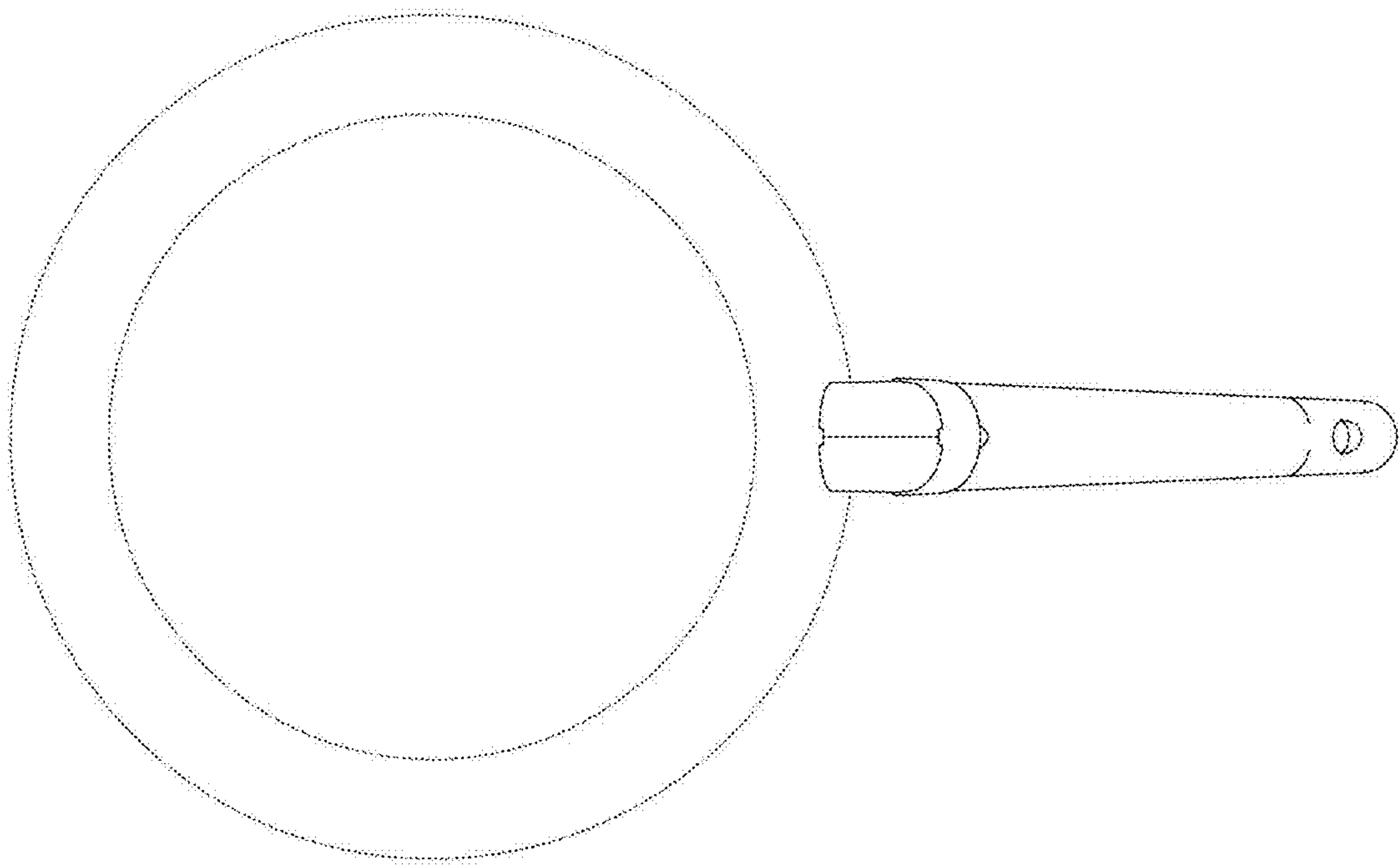


3.5



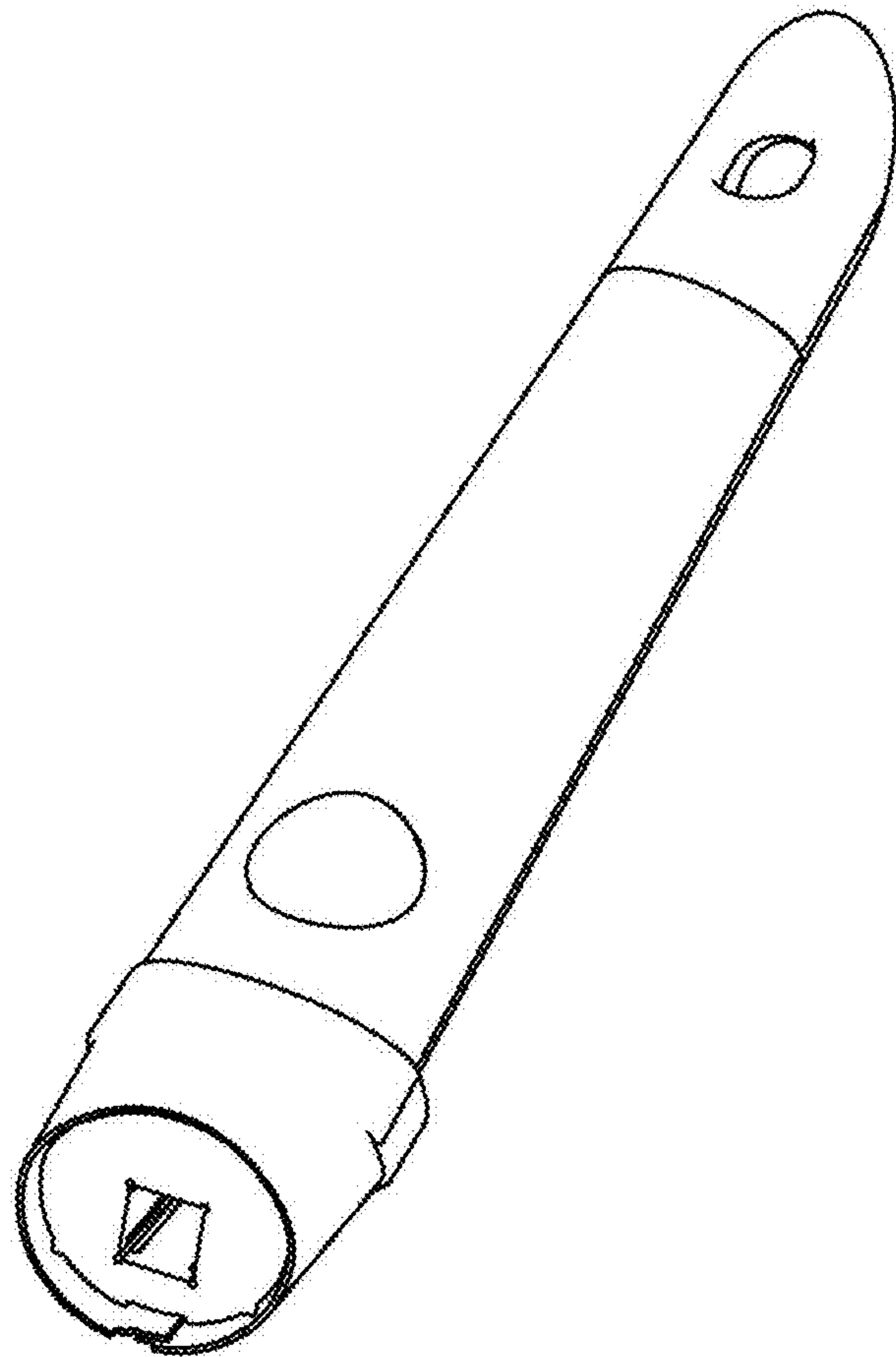


3.6

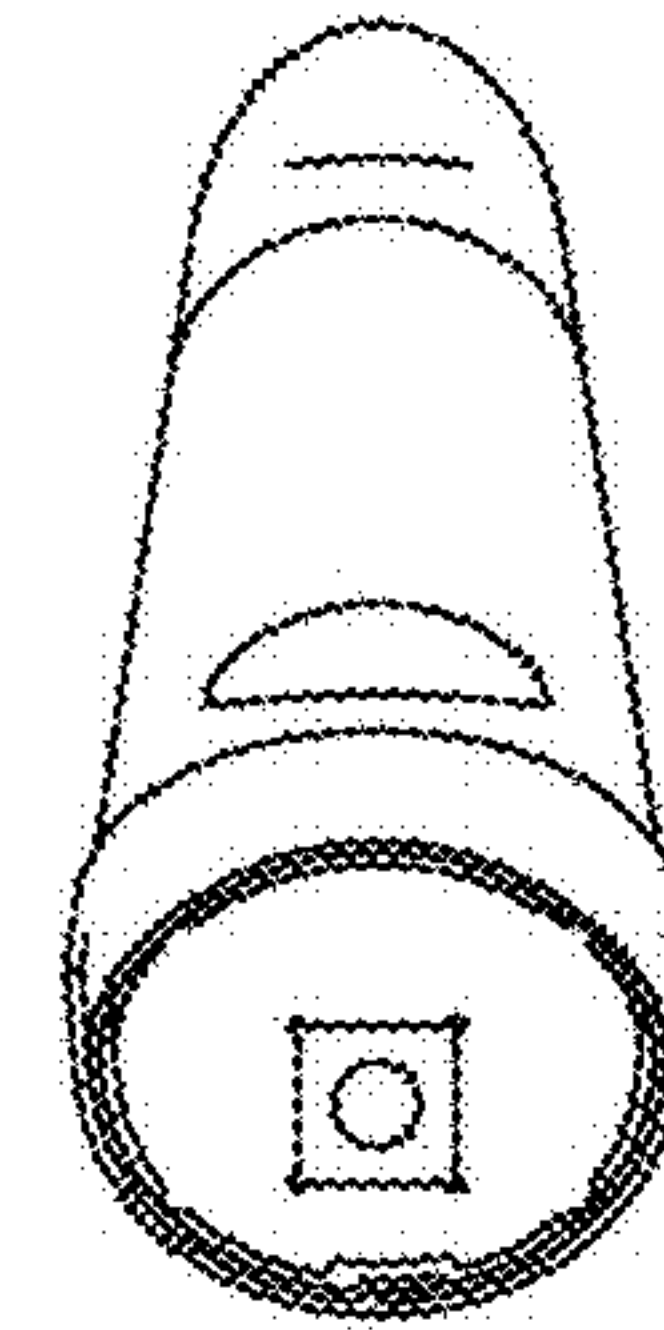




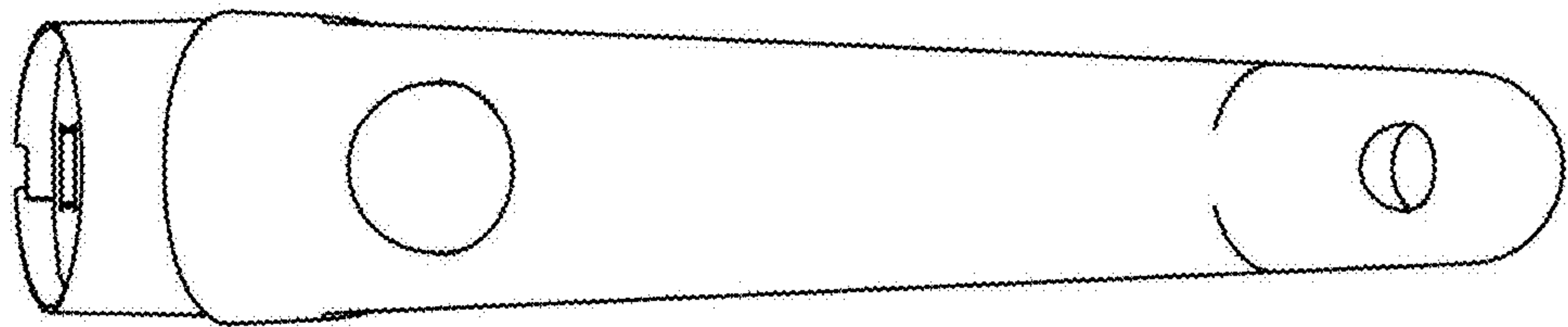
4.1



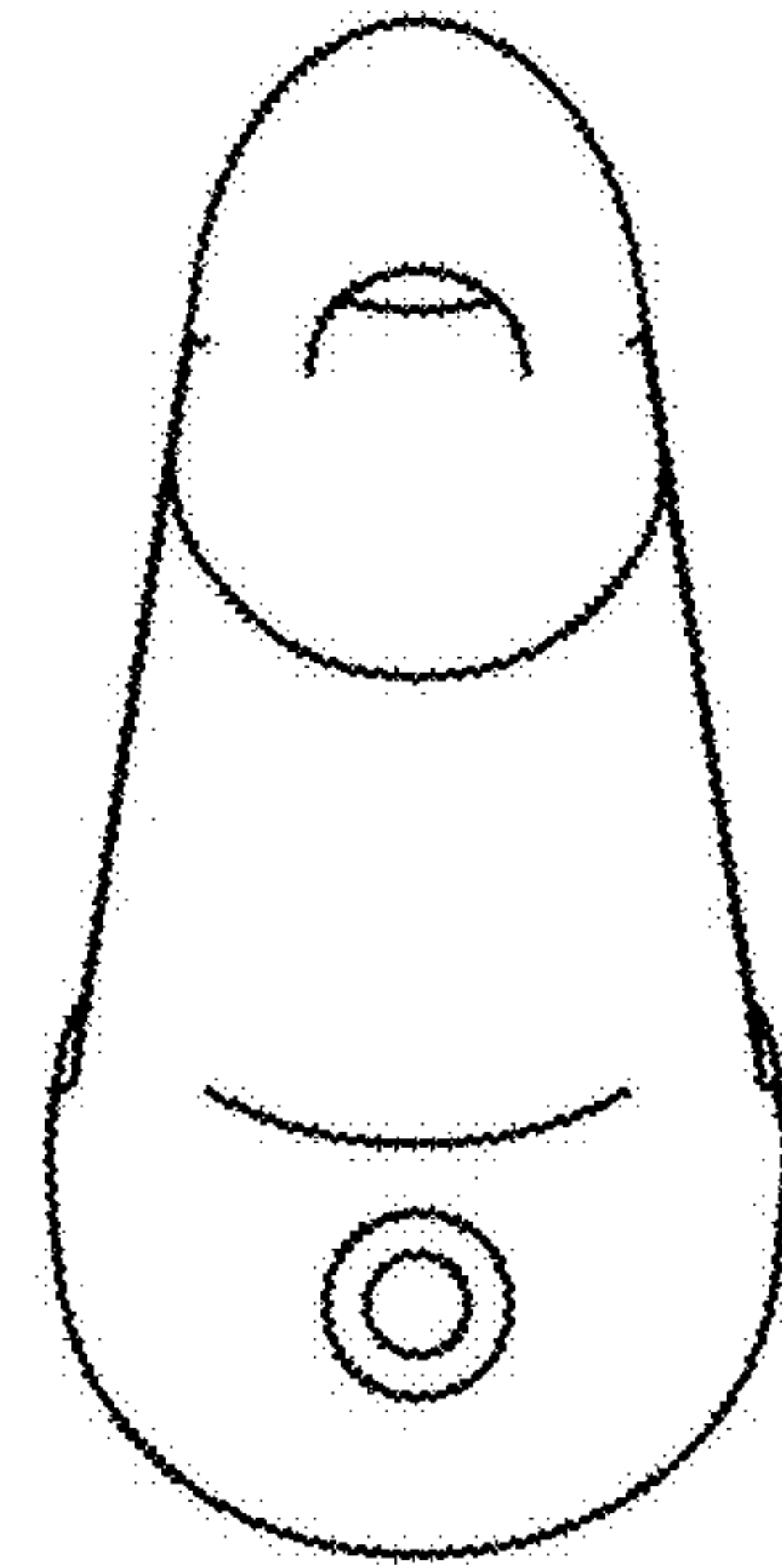
4.2



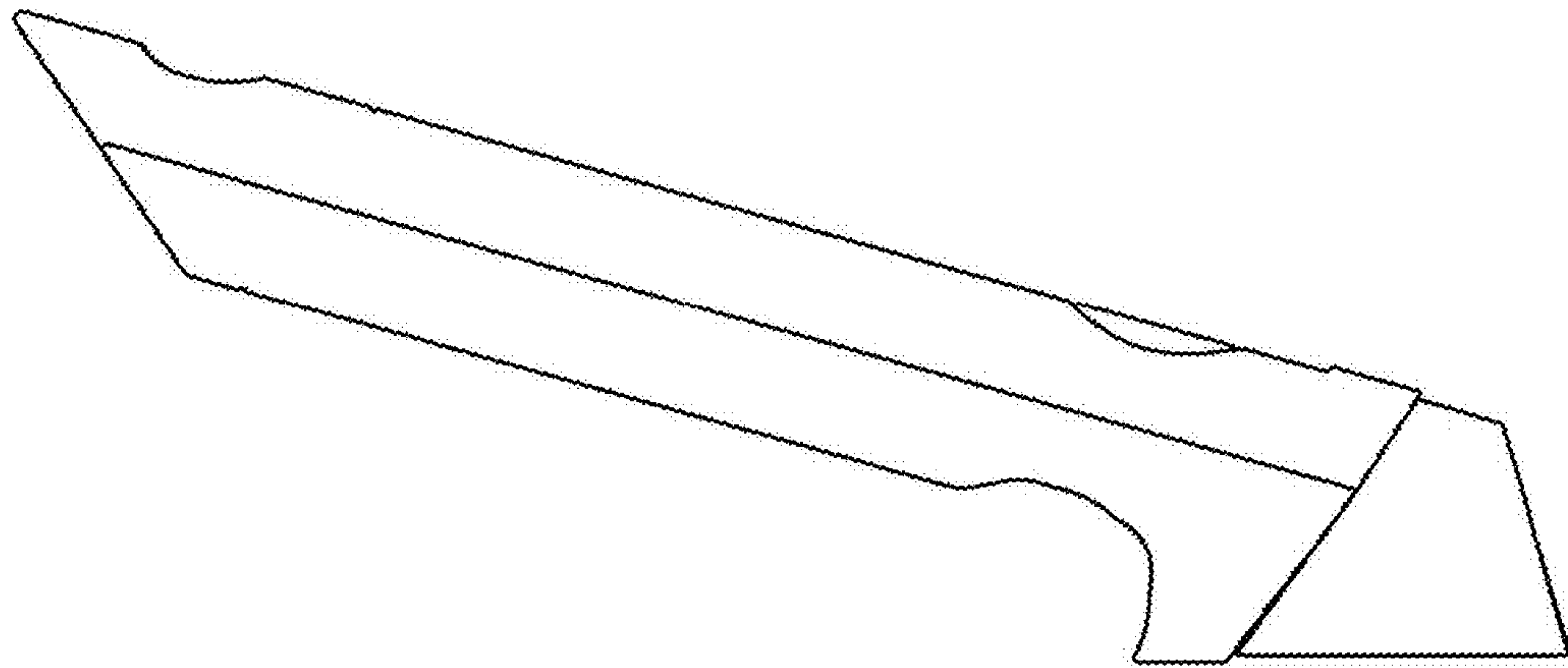
4.3



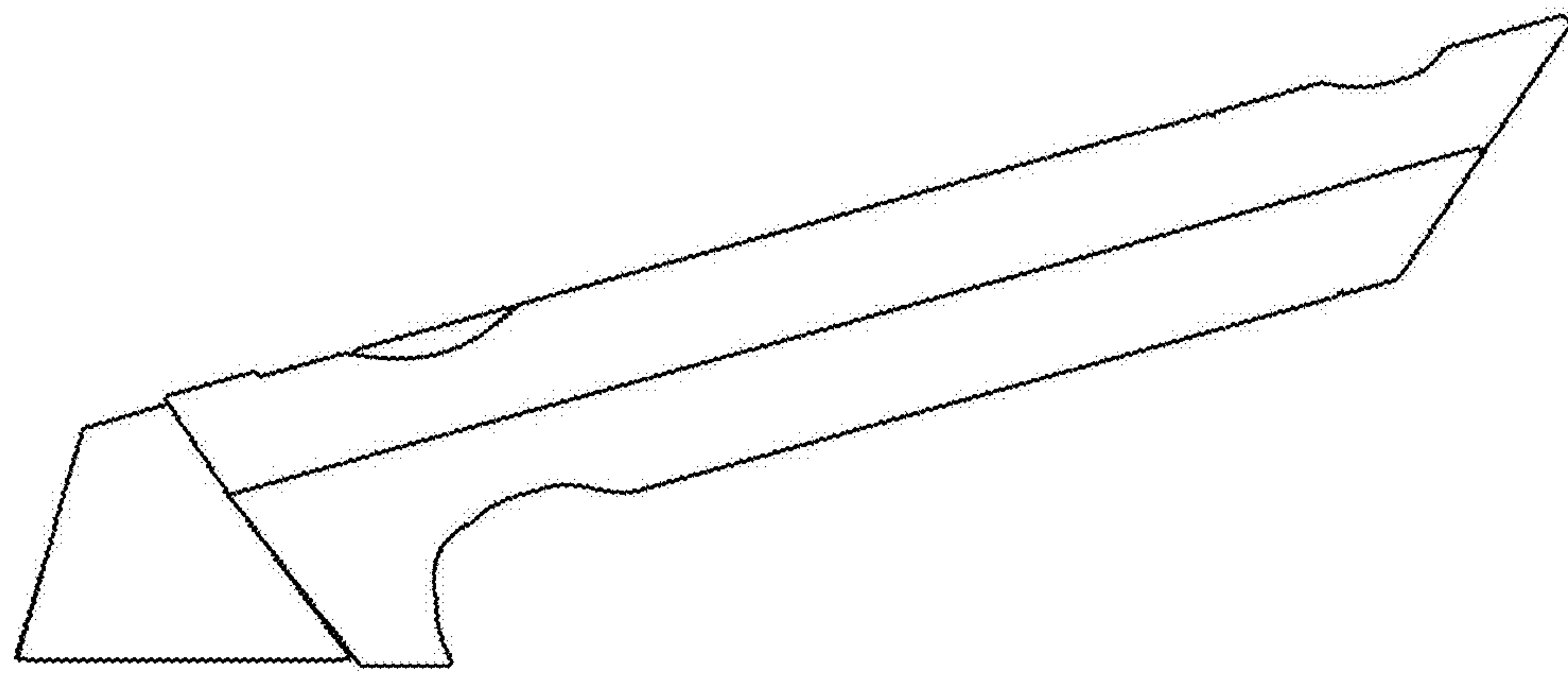
4.4



4.5



4.6



4.7

