

US00D925975S

(12) **United States Design Patent** (10) **Patent No.:** **US D925,975 S**  
**Ryu et al.** (45) **Date of Patent:** **\*\* Jul. 27, 2021**

(54) **KNOB FOR OVEN RANGE**  
(71) Applicant: **LG ELECTRONICS INC.**, Seoul (KR)  
(72) Inventors: **Inhwan Ryu**, Seoul (KR); **Sooyeon Kim**, Seoul (KR); **Hongsik Kwon**, Seoul (KR); **Suhyeon Son**, Seoul (KR)  
(73) Assignee: **LG Electronics Inc.**, Seoul (KR)

(\*\*) Term: **15 Years**

(21) Appl. No.: **29/731,590**

(22) Filed: **Apr. 16, 2020**

(30) **Foreign Application Priority Data**

Apr. 6, 2020 (KR) ..... 30-2020-0015277

(51) **LOC (13) Cl.** ..... **07-02**

(52) **U.S. Cl.**  
USPC ..... **D7/393**

(58) **Field of Classification Search**  
USPC ..... D7/332-334, 337, 339-341, 346, 348, D7/349, 354, 360, 361, 391, 393-396, D7/402, 406; D8/300, 303, 310, 311, D8/315, 321; D15/89; D32/5, 6, 8, 25, D32/28

CPC .. A47J 27/00; A47J 36/00; A47J 36/06; A47J 37/0623; A47J 37/0647; A47J 37/07; A47J 37/0713; A47J 37/0727; A47J 37/074; A47J 37/0763; A47J 37/10; A47J 37/101; A47J 45/06; A47J 45/061; A47J 45/062; A47J 45/063; A47J 45/068; A47J 45/07; A47J 45/071; A47J 45/072; A47J 45/074; F24B 1/00; F24B 1/191; F24B 1/20; F24C 1/00; F24C 3/00; F24C 3/002; F24C 3/008; F24C 3/02; F24C 3/04; F24C 3/042; F24C 3/047; F24C 3/06; F24C 3/062; F24C 3/067; F24C 15/16; F24C 15/168; F24C 15/26

See application file for complete search history.

(56) **References Cited**

U.S. PATENT DOCUMENTS

D637,886 S *	5/2011	Bengtson .....	D8/311
D642,042 S *	7/2011	Kim .....	D8/311
D703,998 S *	5/2014	Funnell, II .....	D7/393
D722,815 S *	2/2015	Fuller .....	D7/393
D766,698 S *	9/2016	Vergin .....	D8/311
D791,567 S *	7/2017	Incukur .....	D8/311
D808,767 S *	1/2018	Kim .....	D8/311

(Continued)

OTHER PUBLICATIONS

Design No. D204898-001, Oct. 23, 2019—Hague International Design (WO) Publication Date—Apr. 24, 2020 Owner—LG Electronics Inc., Designer—Inhwan Ryu, et. al. WIPO, available at <https://www3.wipo.int/designdb/en/index.jsp> (Year: 2020).\*

(Continued)

*Primary Examiner* — Mary Ann Calabrese

*Assistant Examiner* — Natalya M Rapundalo

(74) *Attorney, Agent, or Firm* — Birch, Stewart, Kolasch & Birch, LLP

(57) **CLAIM**

We claim the ornamental design for a knob for oven range, as shown and described.

**DESCRIPTION**

FIG. 1 is a perspective view of a knob for oven range showing the new design:

FIG. 2 is a front elevation view thereof;

FIG. 3 is a rear elevation view thereof;

FIG. 4 is a left-side elevation view thereof;

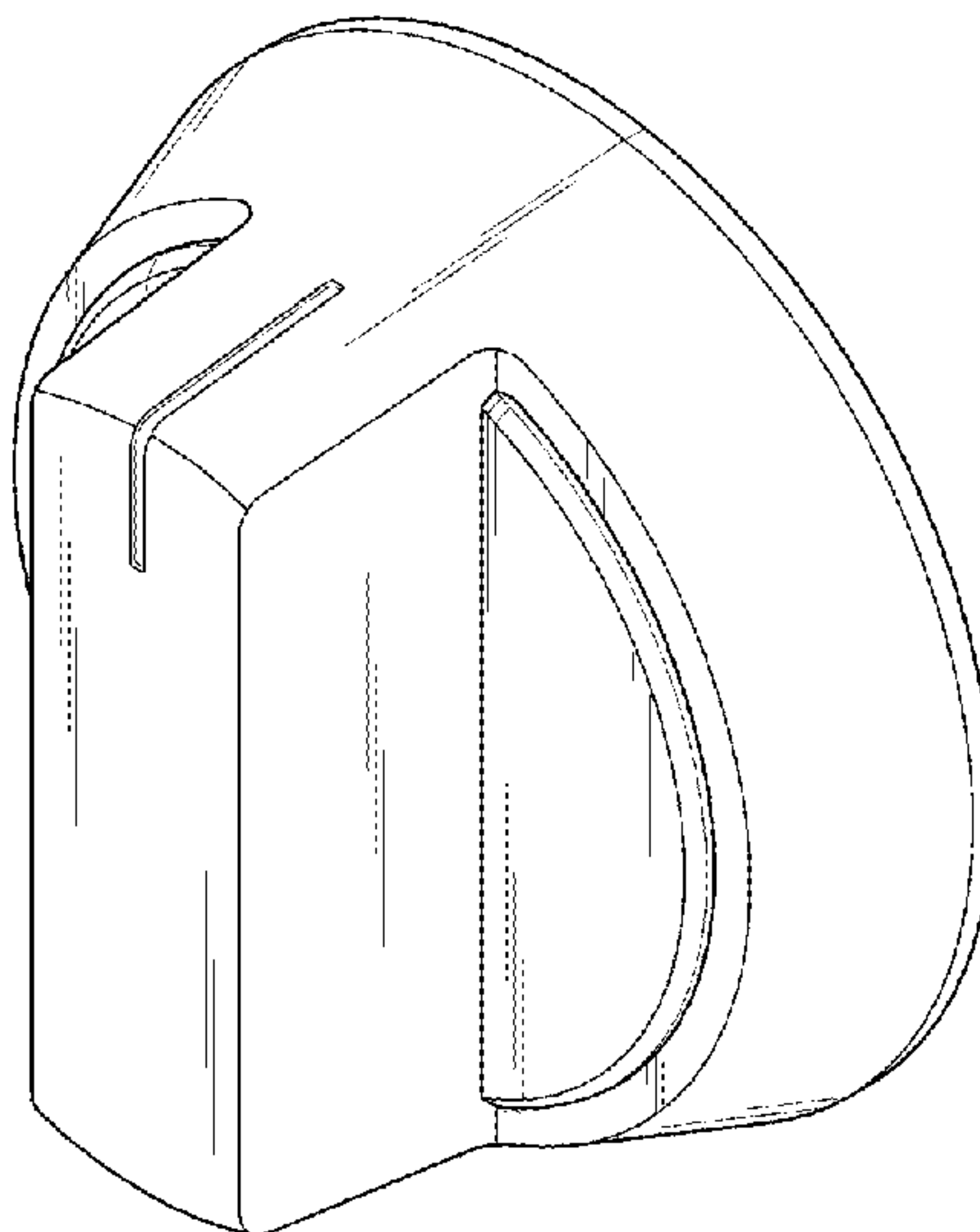
FIG. 5 is a right-side elevation view thereof;

FIG. 6 is a top plan view thereof; and,

FIG. 7 is a bottom plan view thereof.

The parts shown by means of broken lines in the drawing figures are not part of the claimed design.

**1 Claim, 7 Drawing Sheets**



(56)

**References Cited**

U.S. PATENT DOCUMENTS

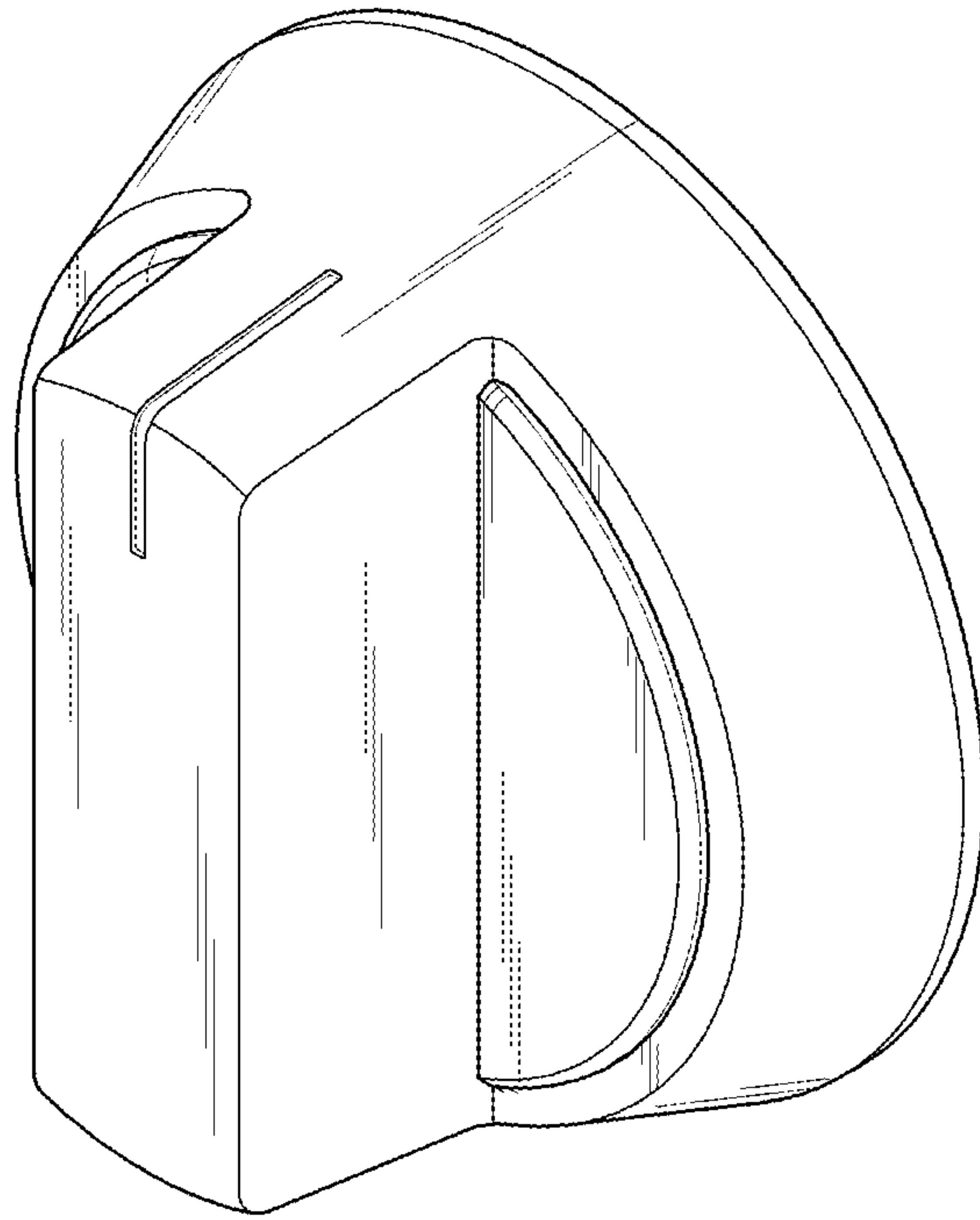
D817,693 S \* 5/2018 Kim ..... D7/346  
D818,303 S \* 5/2018 Kim ..... D7/340  
D840,210 S \* 2/2019 Kim ..... D8/311  
D860,757 S \* 9/2019 Kim ..... D8/311

OTHER PUBLICATIONS

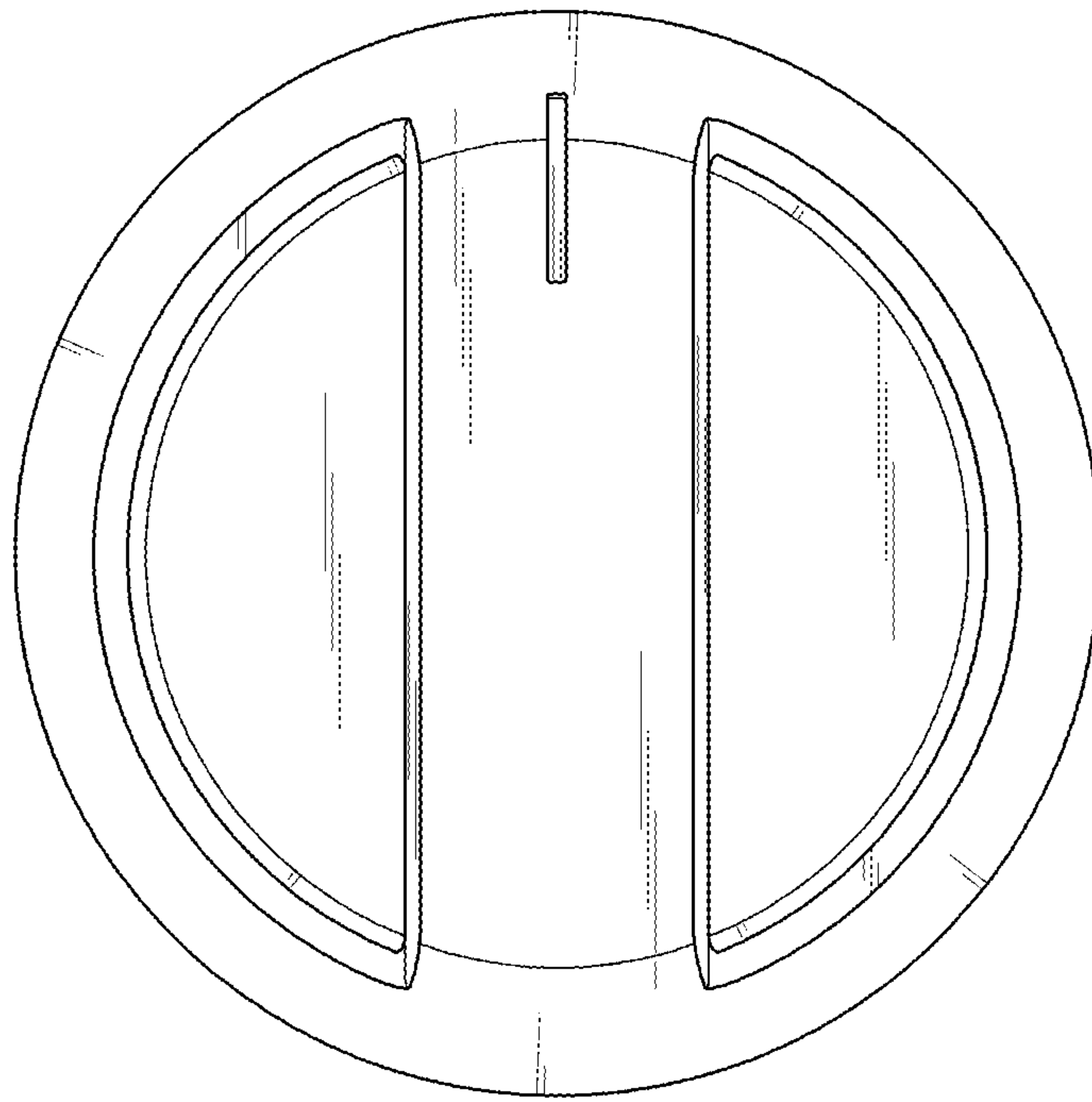
“LG Introduces New InstaView Ranges With Air Fry Technology for 2020”. Jan. 21, 2020, Total 4 pages, <https://www.prnewswim.com/news-releases/lg-introduces-new-instaview-ranges-with-air-fry-technology-for-2020-300090306.html>.

\* cited by examiner

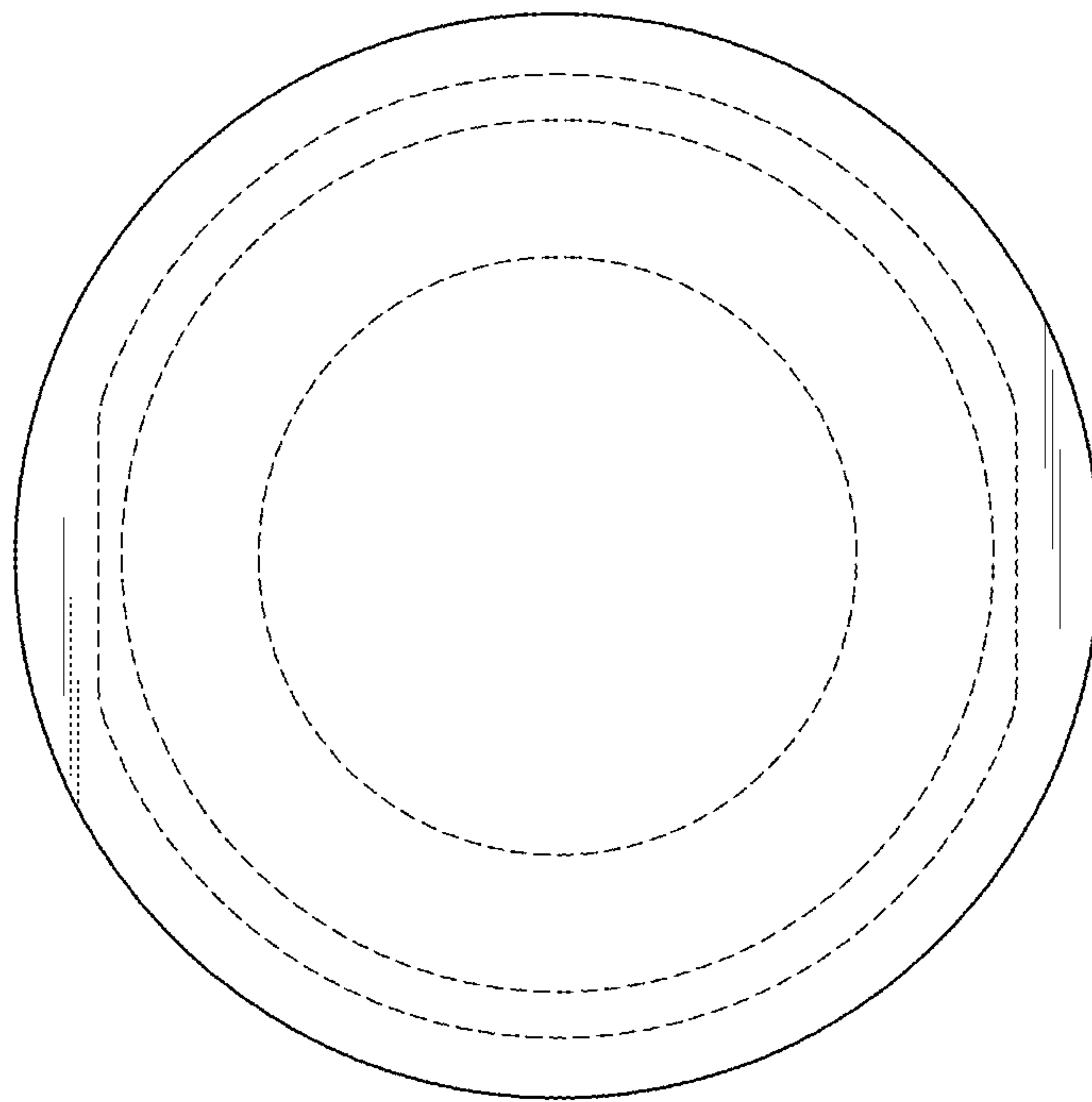
*FIG. 1*



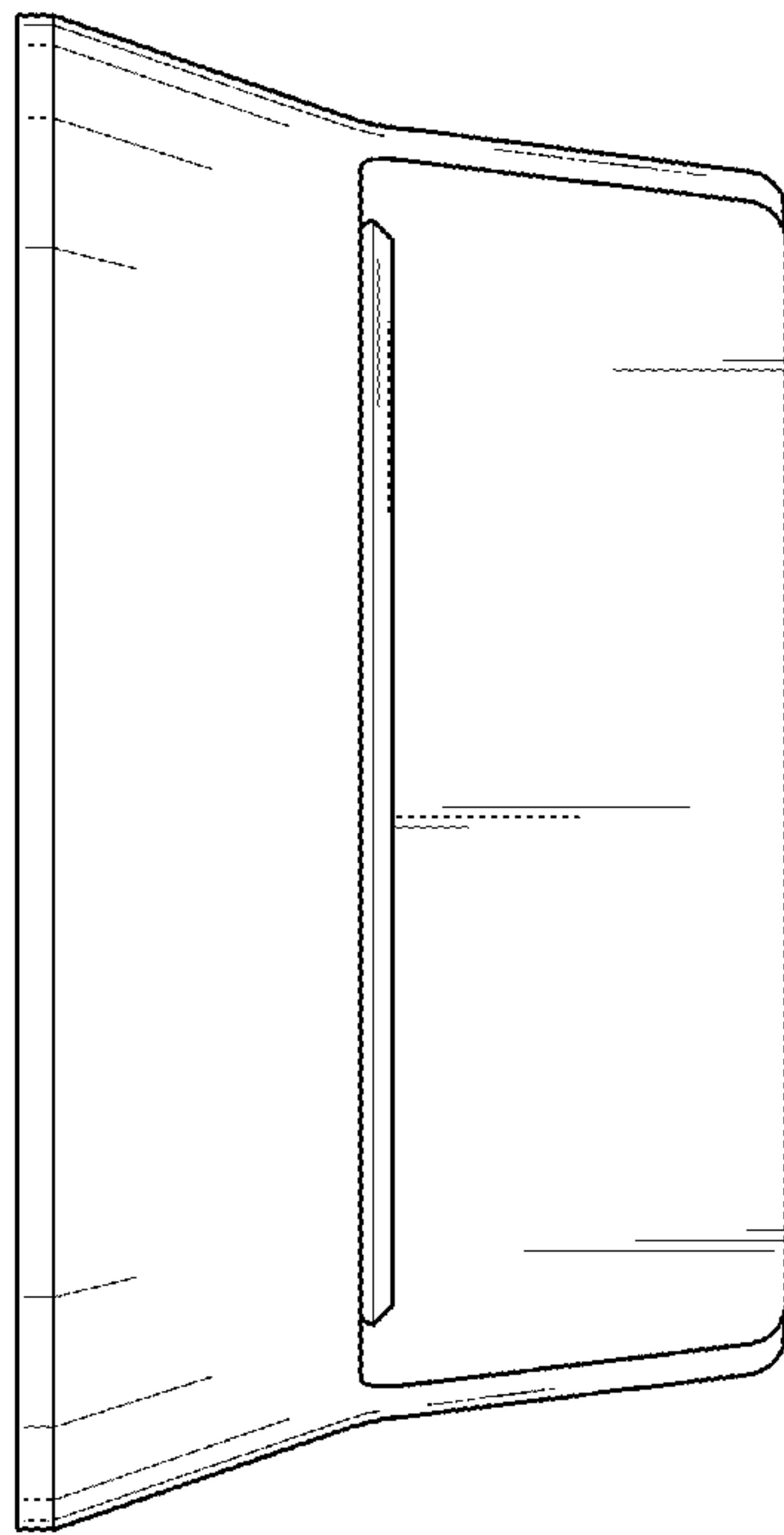
*FIG. 2*



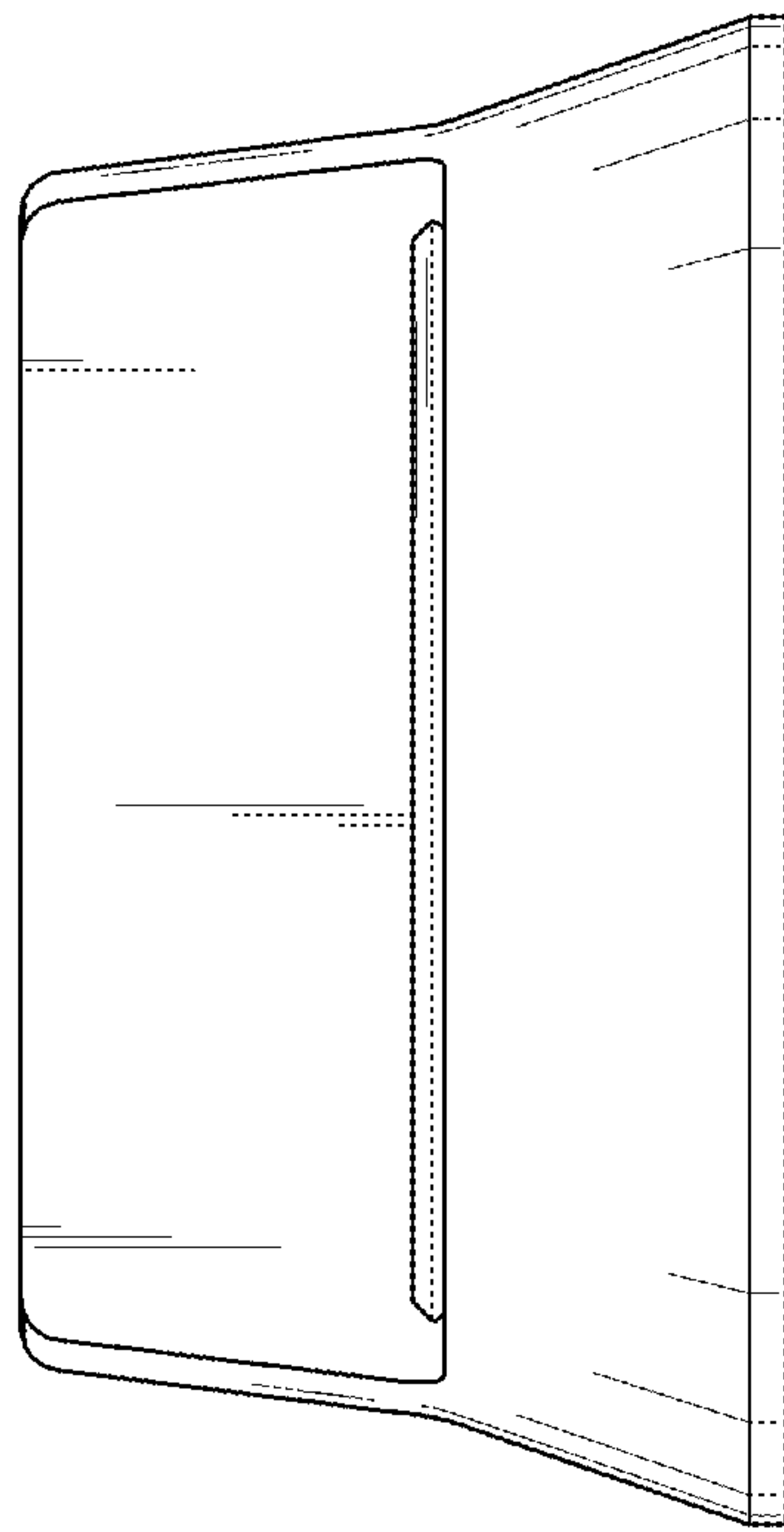
*FIG. 3*



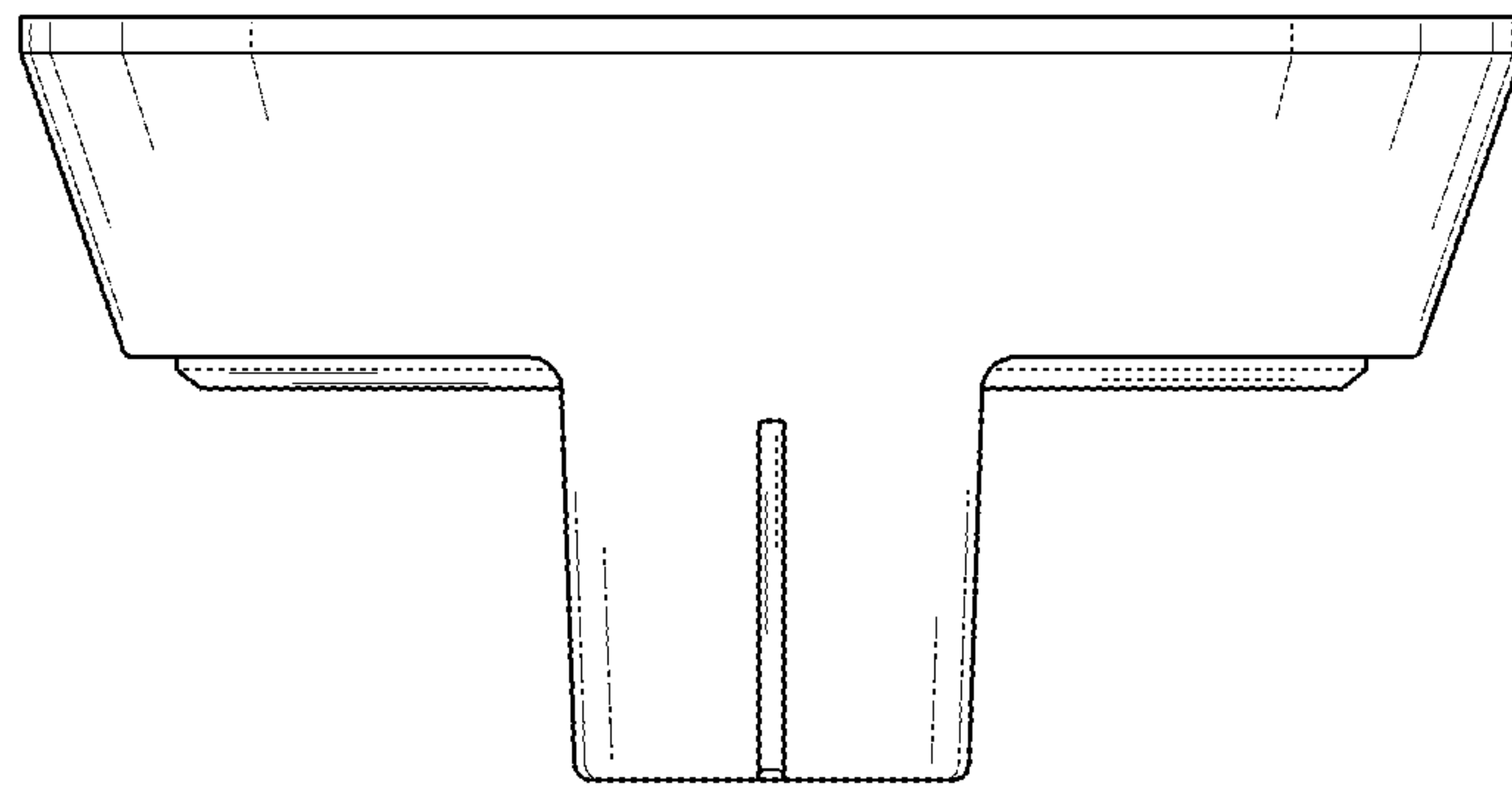
*FIG. 4*



*FIG. 5*



*FIG. 6*





*FIG. 7*

