



US00D925974S

(12) **United States Design Patent**  
**Pearce et al.**

(10) **Patent No.:** **US D925,974 S**  
(45) **Date of Patent:** **\*\* Jul. 27, 2021**

(54) **BOTTLE CLOSURE**

FOREIGN PATENT DOCUMENTS

(71) Applicant: **Nalge Nunc International Corporation**, Rochester, NY (US)

KR 3009639560001 \* 7/2018

(72) Inventors: **Emily Elizabeth Pearce**, Somerville, MA (US); **Amanda Holmes**, Cambridge, MA (US); **Tyler Scott Wilson**, San Diego, CA (US)

OTHER PUBLICATIONS

Nalgene Wide Mouth Lock Top: Announced Aug. 6, 2020 [online]. Site Visited [Dec. 28, 2020]. Available from Internet URL: <https://nalgene.com/product/32oz-wide-mouth-lock-top/>.

(73) Assignee: **Nalge Nunc International Corporation**, Rochester, NY (US)

*Primary Examiner* — Catherine S Posthauer

(\*\*) Term: **15 Years**

(74) *Attorney, Agent, or Firm* — Wood Herron & Evans LLP

(21) Appl. No.: **29/716,643**

(57) **CLAIM**

(22) Filed: **Dec. 11, 2019**

The ornamental design for a bottle closure, as shown and described.

(51) **LOC (13) Cl.** ..... **07-99**

(52) **U.S. Cl.**  
USPC ..... **D7/392.1**

(58) **Field of Classification Search**  
USPC ..... D7/509, 510, 511, 624.1, 387, 391, 392, D7/392.1, 393, 396.1, 396.2; D9/434, D9/435, 439, 445, 447, 448, 449, 451, D9/454, 438, 440, 443, 452, 453, 686, D9/723, 724, 436; D23/259, 260, 261, D23/209, 210; D24/162, 127  
CPC .... B65D 43/265; B65D 17/506; B65D 47/04; B65D 47/06; B65D 47/08; B65D 47/20; B65D 1/00; B65D 1/02; B65D 1/10; B65D 1/46; B65D 2585/56; B65D 2585/545; B65D 41/00; B65D 41/38; B65D 41/56; B65D 41/62; B65D 47/00; B65D 23/00; B65D 51/1694; B65D 43/0212; B65D 43/0208; B65D 2543/00046; B65D

**DESCRIPTION**

FIG. 1 is a front right isometric view of a bottle closure, showing our new design, shown in an environment of use with an exemplary bottle;  
FIG. 2 is a rear left isometric view thereof;  
FIG. 3 is a front elevation view thereof, shown with the exemplary bottle removed to show aspects of the design not visible when combined;  
FIG. 4 is a rear elevation view thereof;  
FIG. 5 is a right-side elevation view thereof, the left side elevation view being a mirror image;  
FIG. 6 is a cross-sectional view taken along line 6-6 of FIG. 3;  
FIG. 7 is a top plan view thereof; and,  
FIG. 8 is a front right isometric view thereof, shown in an environment of use with the exemplary bottle and showing the bottle closure in an open position of use.  
The broken dash lines in the figures depict portions of the bottle closure that form no part of the claimed design. Neither the portions of the bottle closure shown in broken dash lines nor the broken dash lines themselves form any part of the claimed invention.

(Continued)

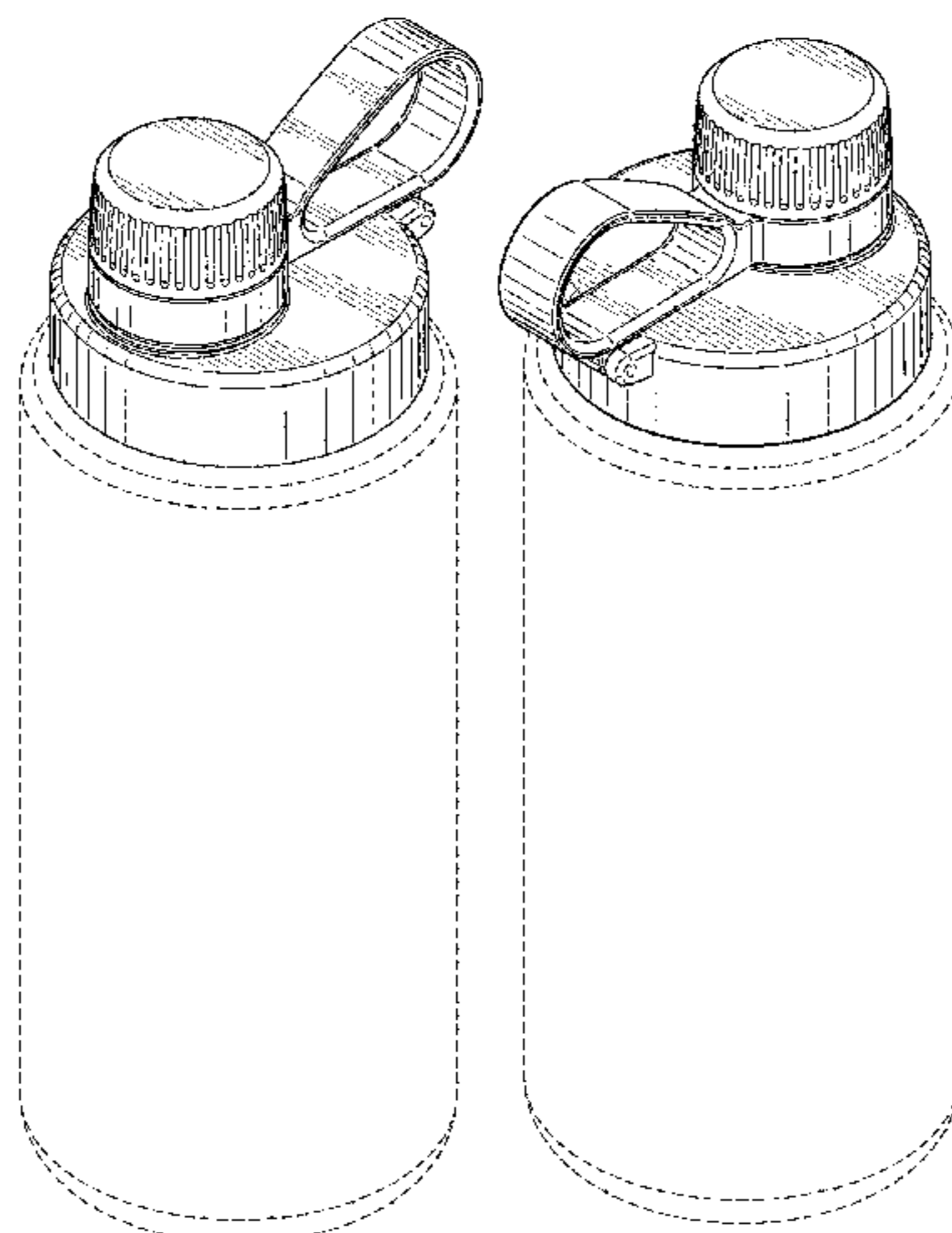
(56) **References Cited**

U.S. PATENT DOCUMENTS

D505,294 S 5/2005 Gauss  
D508,185 S 8/2005 Gauss

(Continued)

**1 Claim, 6 Drawing Sheets**



(58) **Field of Classification Search**

CPC ..... 2543/00092; B65D 1/24; B65D 25/04;  
 B65D 43/09; B65D 43/16; A61J 1/00;  
 A61J 1/1412; A61J 1/02

See application file for complete search history.

(56) **References Cited**

U.S. PATENT DOCUMENTS

D543,454 S 5/2007 Leoncavallo et al.  
 D589,743 S 4/2009 Pearson  
 D620,355 S 7/2010 Nardini  
 D634,972 S 3/2011 Staton  
 D638,658 S \* 5/2011 Staton ..... D7/392  
 D714,584 S \* 10/2014 Boroski ..... D7/392  
 D792,216 S \* 7/2017 Breit ..... D9/443  
 D795,009 S 8/2017 Alprin et al.  
 D801,111 S \* 10/2017 Eyal ..... D7/392.1  
 D808,213 S 1/2018 Lown et al.  
 D817,085 S \* 5/2018 Davis ..... D7/392.1  
 D820,635 S 6/2018 Hammer  
 D824,721 S \* 8/2018 Hu ..... D7/392.1  
 D835,938 S 12/2018 Zou et al.  
 D836,386 S \* 12/2018 Ayriss ..... B65D 47/0857  
 D7/392  
 D847,563 S \* 5/2019 Jacobsen ..... D7/396.2  
 D848,786 S \* 5/2019 Bujalska ..... D7/392.1

D848,787 S 5/2019 Tatsukawa et al.  
 D853,784 S 7/2019 Wu  
 D856,067 S \* 8/2019 Barber ..... D7/392.1  
 D858,181 S 9/2019 Lown  
 D858,182 S 9/2019 Keung  
 D862,977 S \* 10/2019 Bohman ..... D7/392  
 D867,811 S \* 11/2019 Lane ..... D7/392  
 D869,230 S 12/2019 Hao  
 D870,509 S \* 12/2019 Bo ..... D7/392.1  
 10,512,347 B1 \* 12/2019 Shepard ..... B65D 47/148  
 D874,214 S \* 2/2020 Breit ..... D7/392  
 D879,550 S \* 3/2020 Lane ..... D7/392  
 D881,640 S \* 4/2020 Nichols ..... D7/392.1  
 D882,335 S \* 4/2020 Lane ..... D7/396.2  
 D884,418 S \* 5/2020 Wang ..... D7/396.2  
 D886,518 S \* 6/2020 Li ..... D7/392.1  
 D890,564 S 7/2020 Hao  
 D894,669 S \* 9/2020 Lane ..... D7/392  
 D894,670 S \* 9/2020 Adams, Jr. .... D7/392.1  
 D895,352 S \* 9/2020 Yao ..... D7/392.1  
 D896,572 S \* 9/2020 Nichols ..... D7/392.1  
 D902,648 S 11/2020 Wang  
 D903,404 S \* 12/2020 Bram ..... D7/392.1  
 D903,406 S 12/2020 McCabe et al.  
 D903,407 S 12/2020 McCabe et al.  
 2016/0150914 A1 \* 6/2016 Waggoner ..... B01F 3/0865  
 366/130  
 2019/0359394 A1 11/2019 Suzuki et al.  
 \* cited by examiner

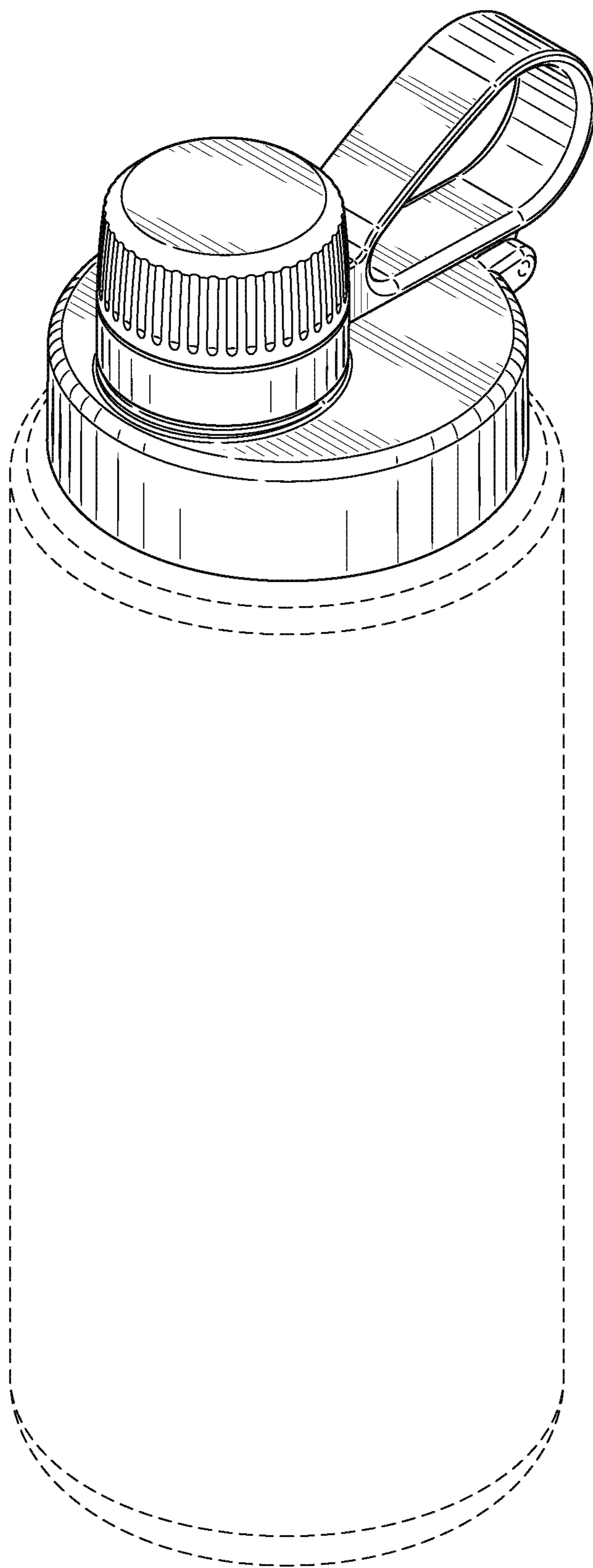


FIG. 1

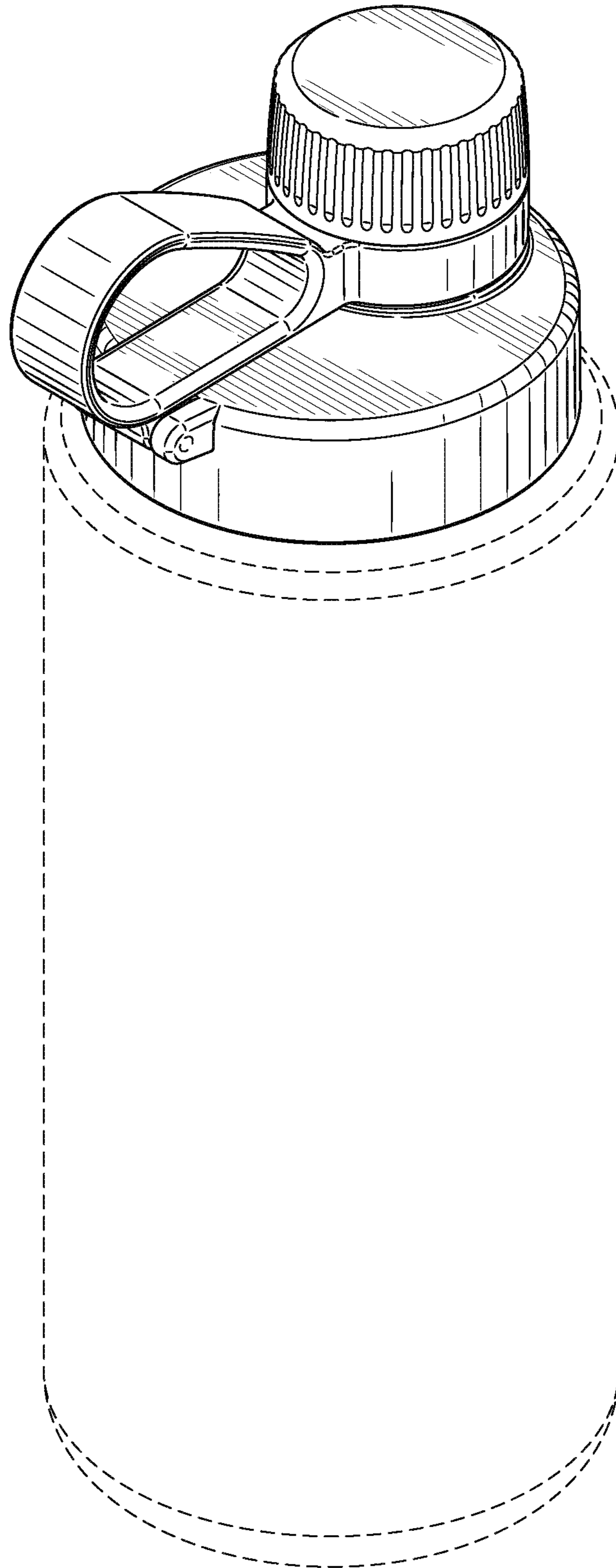
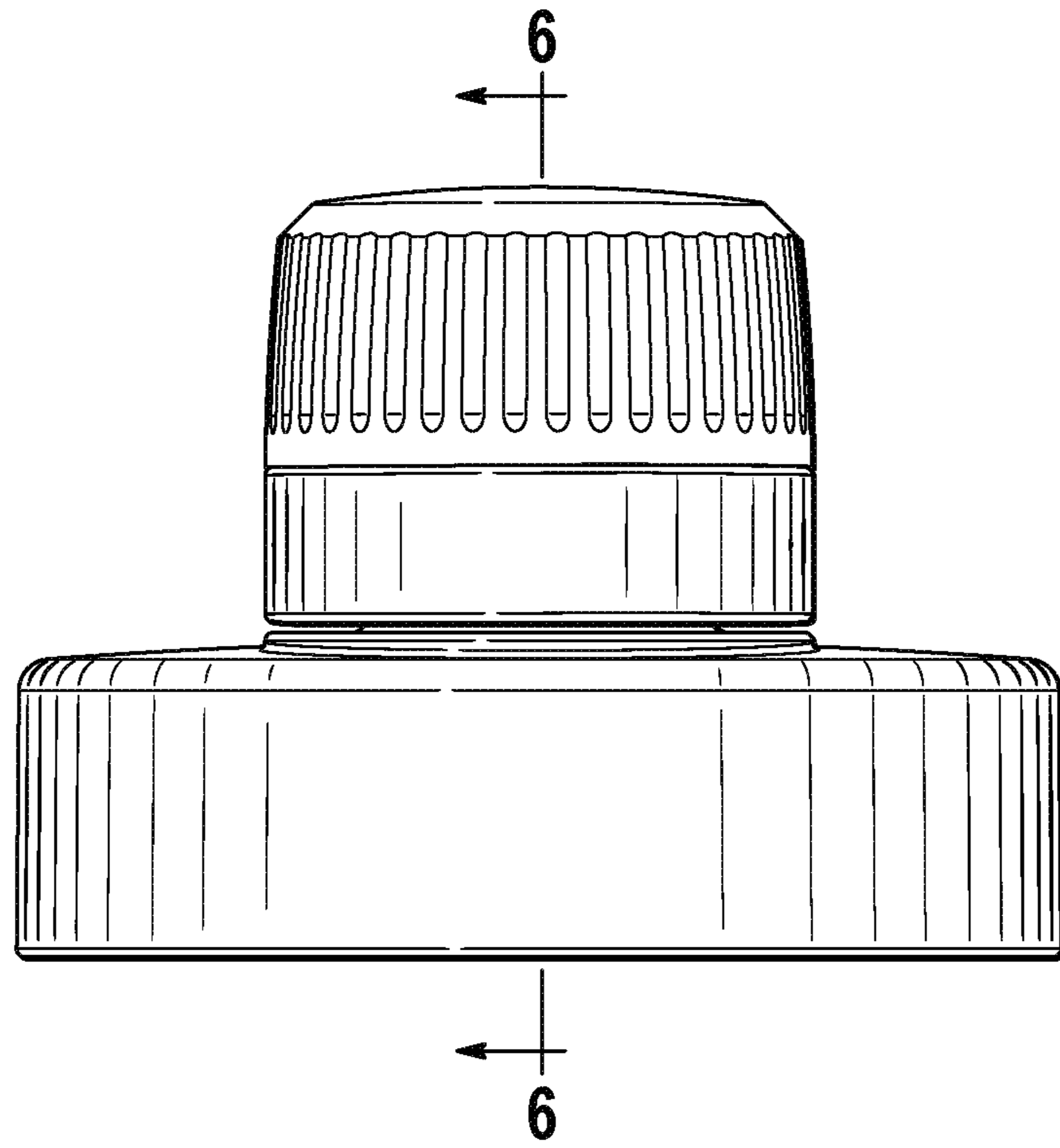
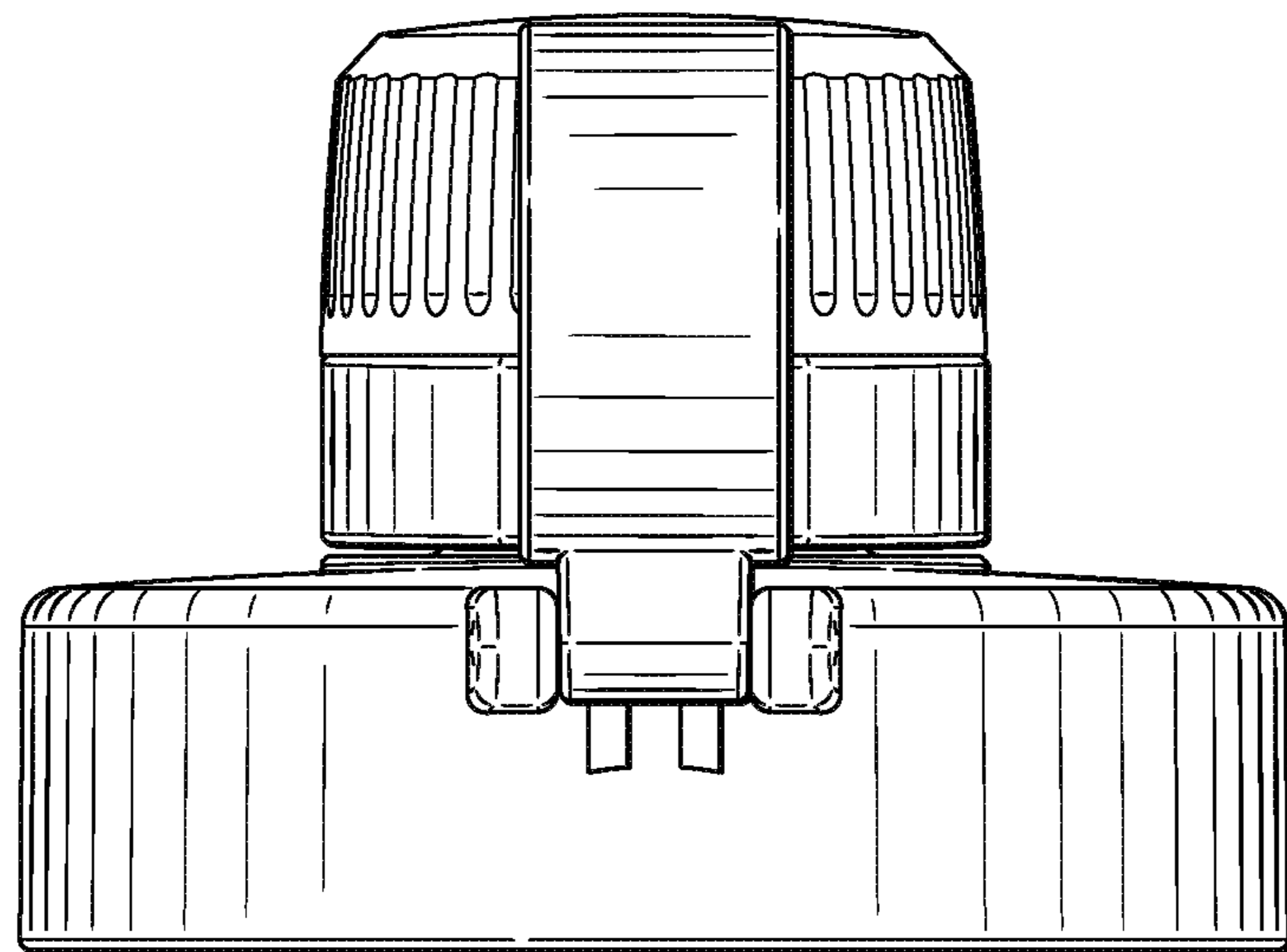


FIG. 2



**FIG. 3**



**FIG. 4**

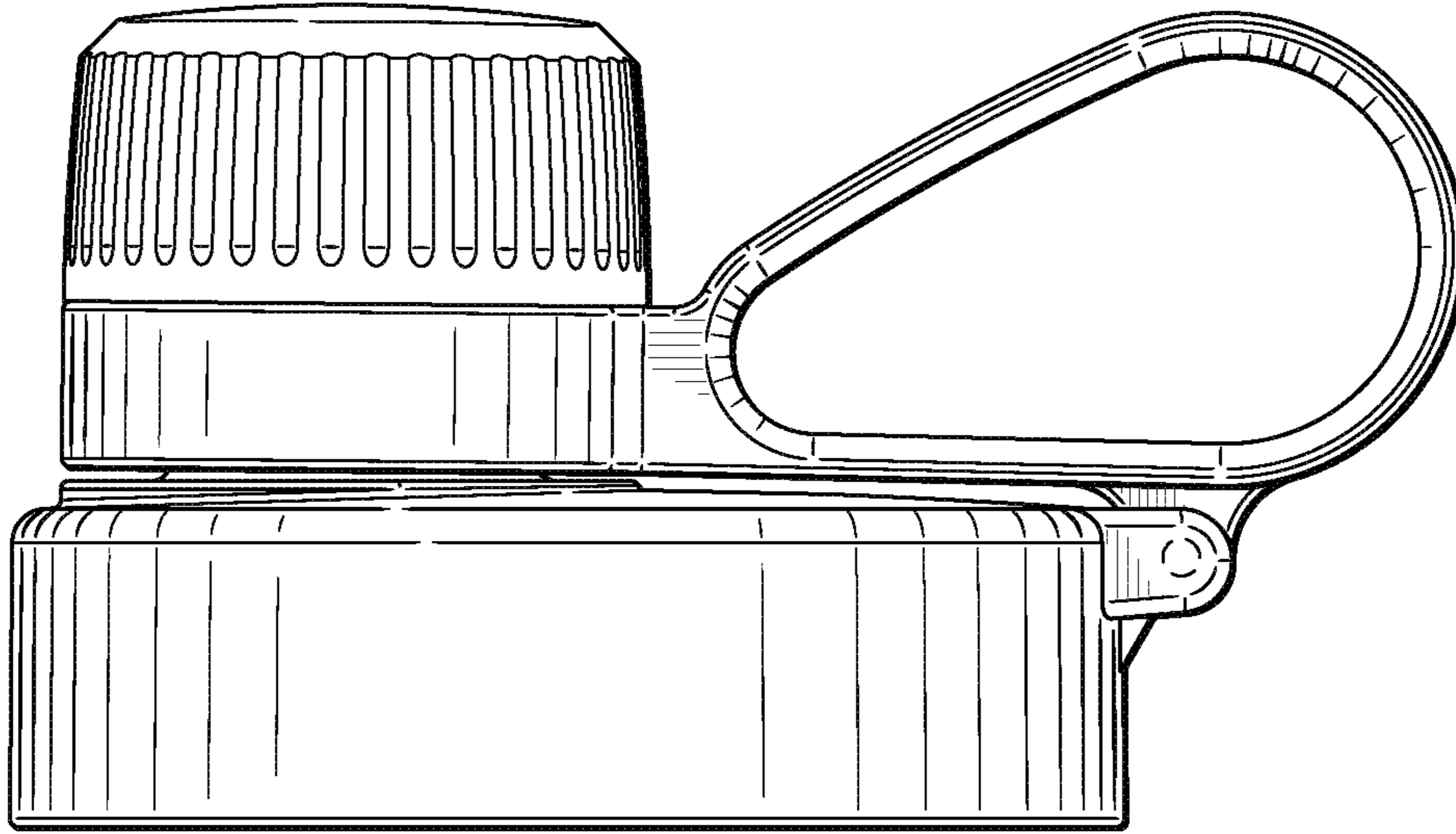


FIG. 5

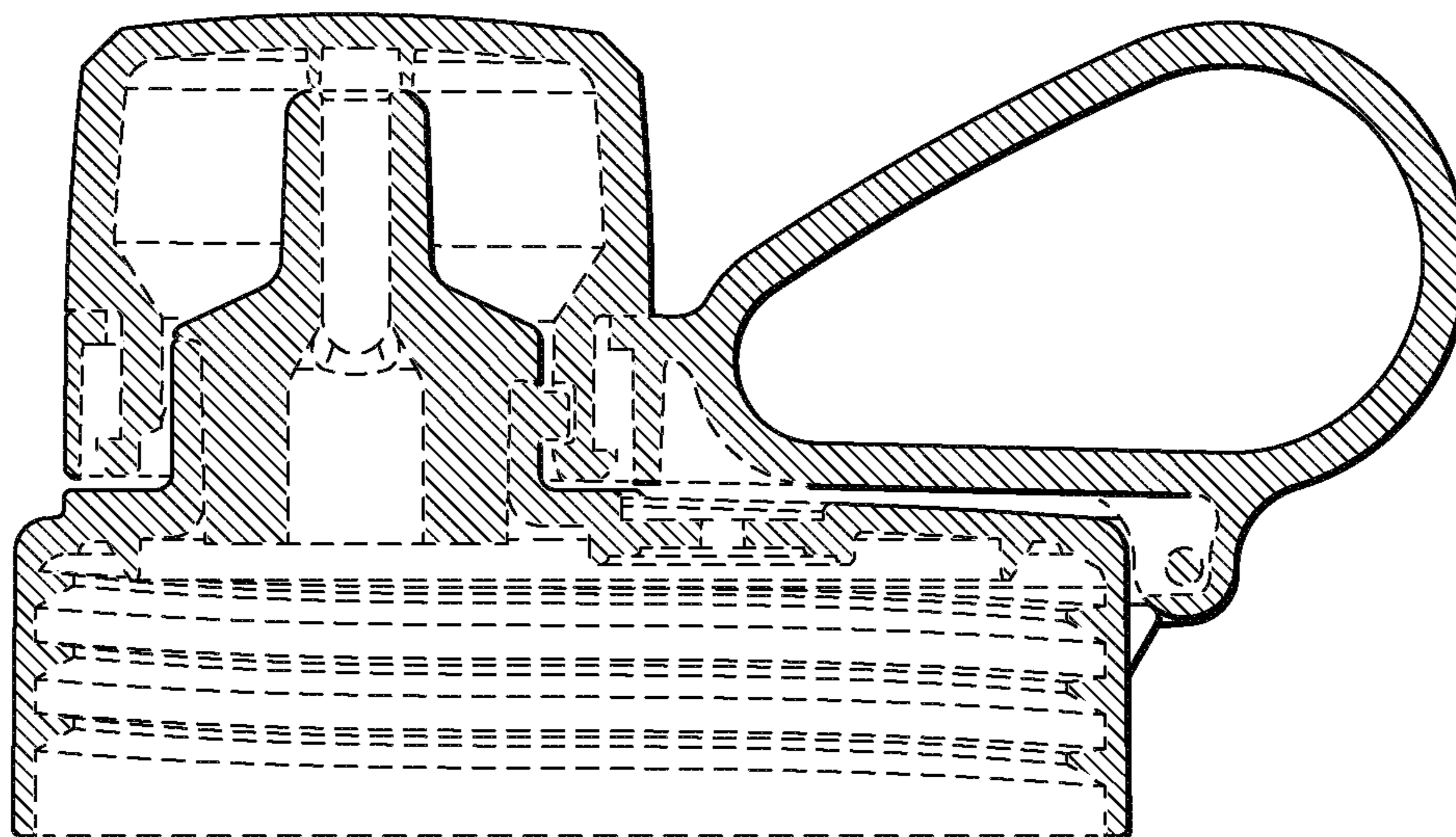


FIG. 6

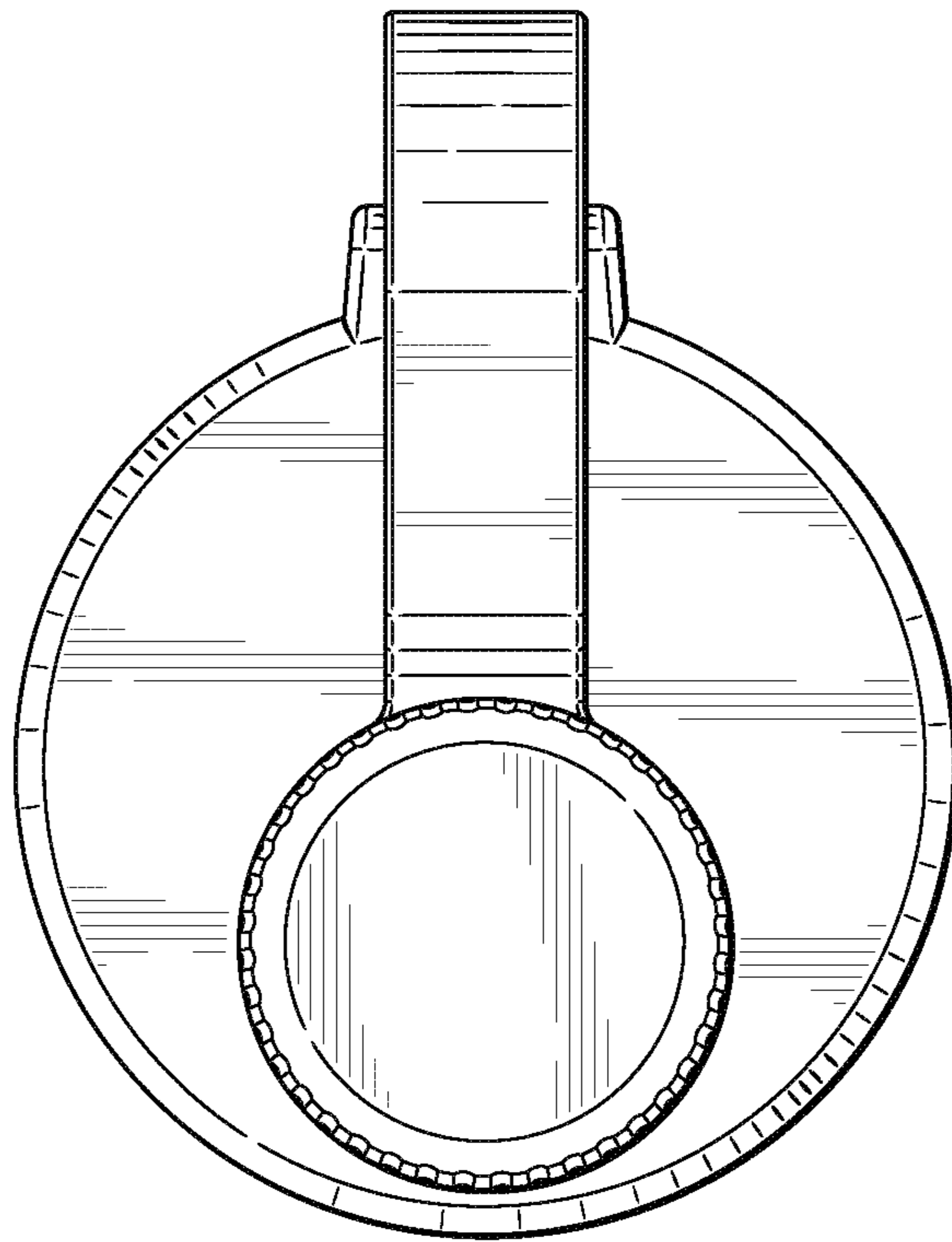


FIG. 7

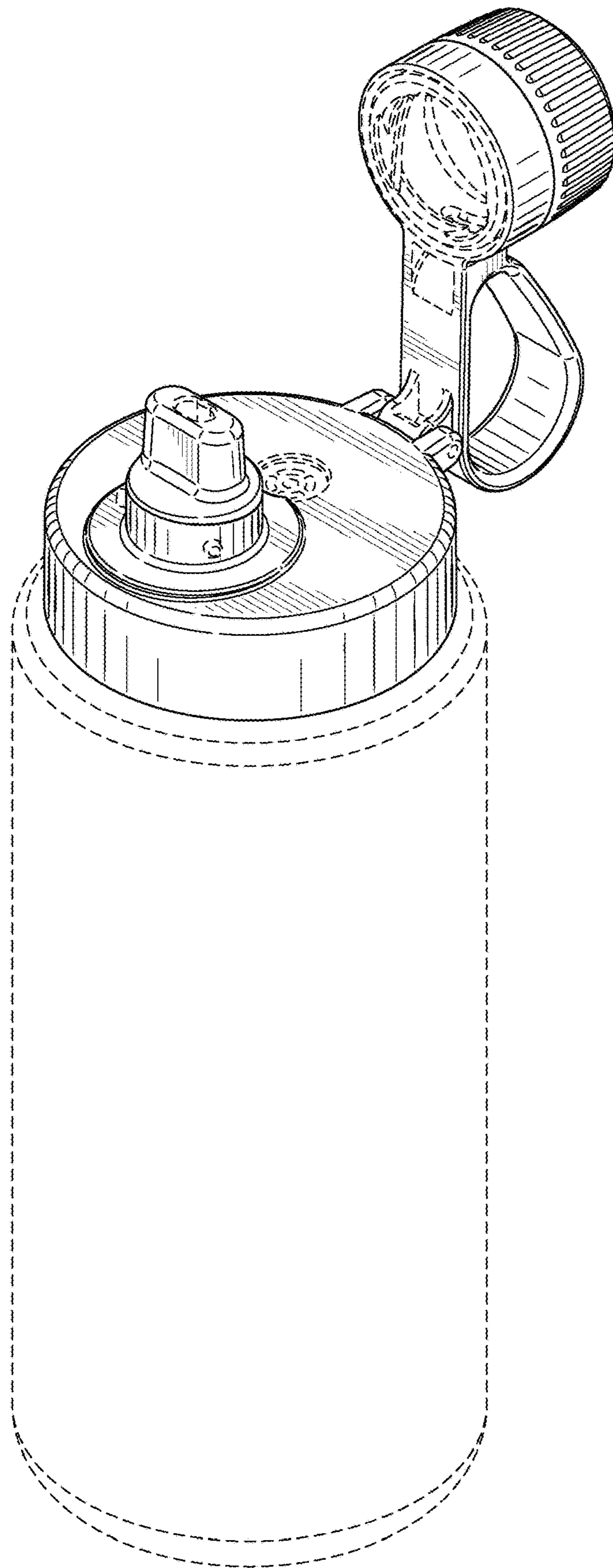


FIG. 8