



US00D925973S

(12) **United States Design Patent** (10) **Patent No.:** **US D925,973 S**
Yessin et al. (45) **Date of Patent:** **** Jul. 27, 2021**

- (54) **DRINKING FLASK**
- (71) Applicant: **Dart Industries Inc.**, Orlando, FL (US)
- (72) Inventors: **Julie L. Yessin**, San Francisco, CA (US); **Lee A. Cooper**, Gulf Shores, AL (US)
- (73) Assignee: **Dart Industries Inc.**, Orlando, FL (US)
- (**) Term: **15 Years**
- (21) Appl. No.: **29/675,435**
- (22) Filed: **Jan. 2, 2019**

- D661,583 S * 6/2012 Santarelli D9/449
- D667,268 S * 9/2012 Pallotto D7/510
- D667,269 S * 9/2012 Pallotto D7/510
- D675,060 S * 1/2013 Lane D7/392.1
- D675,873 S * 2/2013 Miller D7/510
- D682,102 S * 5/2013 Davis D9/449
- D702,551 S * 4/2014 Wisniewski D9/449
- D718,626 S * 12/2014 Lane B65D 41/62
D9/449
- D727,093 S * 4/2015 Lapsker D7/396.2
- D730,729 S * 6/2015 George D9/435
- D737,139 S * 8/2015 Sokoly D9/435
- D742,229 S * 11/2015 Wisniewski D9/449
- D769,715 S * 10/2016 Bois D9/449
- D770,222 S * 11/2016 Boroski D7/392.1
- D771,990 S * 11/2016 Horowitz D7/300.1
- D785,402 S * 5/2017 Shirley D7/392.1
- D794,453 S * 8/2017 Boroski D7/392.1
- D795,006 S * 8/2017 Heiberger D7/392.1

Related U.S. Application Data

- (63) Continuation of application No. 29/594,566, filed on Feb. 21, 2017, now abandoned.
- (51) **LOC (13) Cl.** **07-01**
- (52) **U.S. Cl.**
USPC **D7/392.1**; D7/396.2
- (58) **Field of Classification Search**
USPC D7/507, 509, 510, 511, 523, 529, 531, D7/532, 533, 536, 392.1, 396.2; D9/500, D9/501, 502, 503, 530, 516, 453, 447, D9/443, 449, 454, 435; 220/592.16, 220/592.17
CPC A47G 19/2205; A47G 19/22; A47G 19/2266; B65D 47/066; A45F 3/16; A47J 41/02
See application file for complete search history.

References Cited

U.S. PATENT DOCUMENTS

- D451,023 S * 11/2001 Kitamura D9/449
- D623,473 S * 9/2010 Chen D7/510
- D634,628 S * 3/2011 Goto D7/900
- D635,019 S * 3/2011 Goto D7/900

(Continued)

Primary Examiner — Jae Liang
(74) *Attorney, Agent, or Firm* — Taylor J. Ross

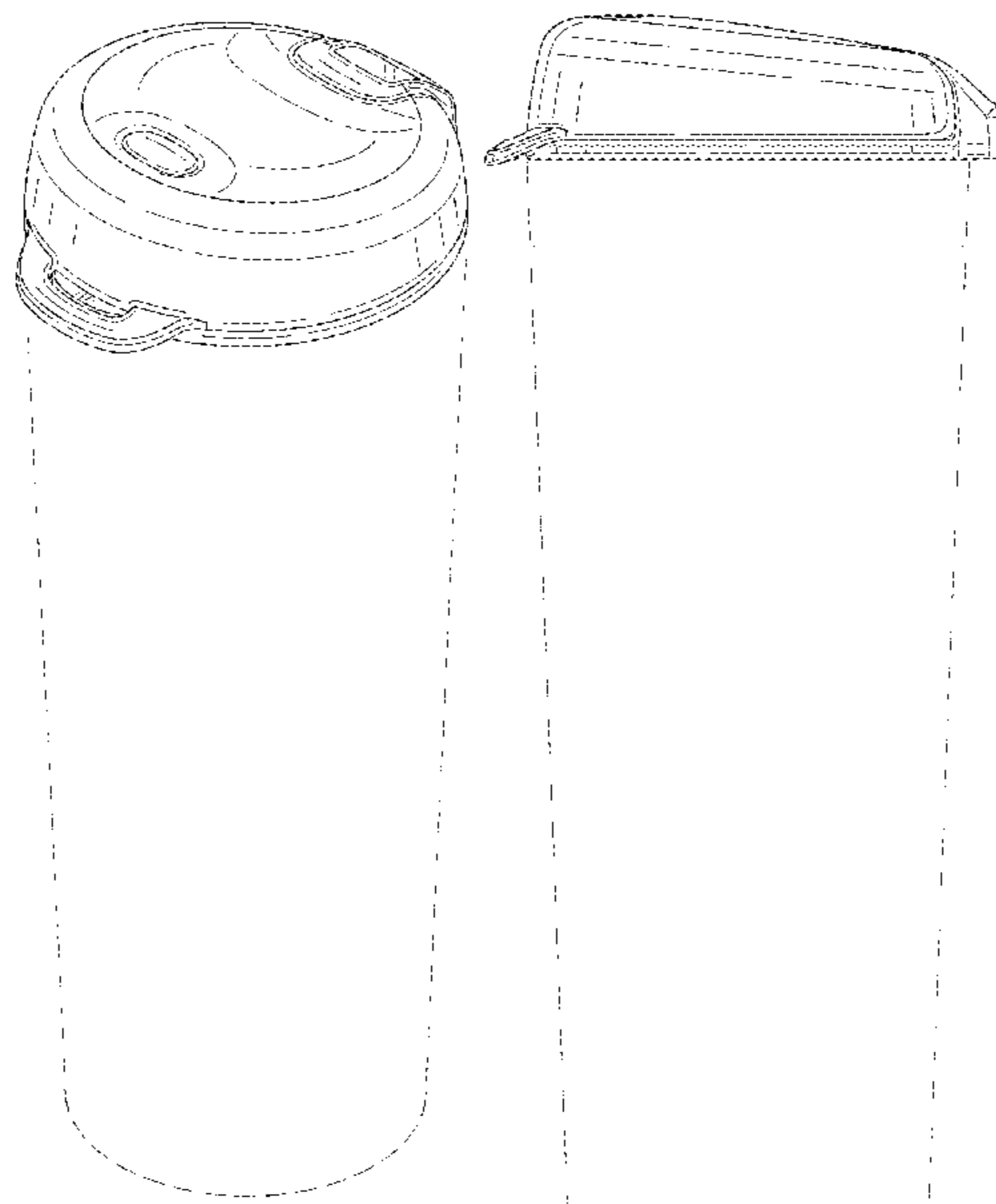
(57) **CLAIM**

The ornamental design for a drinking flask, as shown and described.

DESCRIPTION

FIG. 1 is a top, front and left side perspective view of a drinking flask showing our new design;
 FIG. 2 is a bottom, front and right side perspective view thereof;
 FIG. 3 is a top plan view thereof;
 FIG. 4 is a bottom plan view thereof;
 FIG. 5 is a front elevation view thereof;
 FIG. 6 is a rear elevation view thereof; and,
 FIG. 7 left side elevation view, the right side elevation being a mirror image thereof.
 The broken lines in the drawings depict environmental subject matter only and form no part of the claimed design.

1 Claim, 4 Drawing Sheets



(56)

References Cited

U.S. PATENT DOCUMENTS

D801,746 S * 11/2017 Thuma D7/392.1
D806,465 S * 1/2018 Boroski D7/391
D814,235 S * 4/2018 Shirley D7/392.1
D815,906 S * 4/2018 Yee D7/511
D817,088 S * 5/2018 Shirley D7/396.2
D911,109 S * 2/2021 Johnson D7/507
D918,719 S * 5/2021 Tamarindo D9/446
2005/0045634 A1 * 3/2005 Ward A47G 19/2272
220/254.3
2007/0196542 A1 * 8/2007 Rathbone A23G 3/563
426/106
2012/0181302 A1 * 7/2012 Pagan B65D 1/0223
222/39
2012/0312832 A1 * 12/2012 Lane B65D 51/242
220/833
2016/0332784 A1 * 11/2016 Lu B65D 47/0871
2016/0376061 A1 * 12/2016 Shirley B65D 23/104
215/228
2017/0022357 A1 * 1/2017 Sokoly C08L 67/04
2017/0027350 A1 * 2/2017 Onza B65D 51/18
2017/0127860 A1 * 5/2017 Khalaf B65D 43/0212
2017/0144808 A1 * 5/2017 Choltco-Devlin B65D 43/26
2017/0253395 A1 * 9/2017 Matthis A47G 19/2272

* cited by examiner

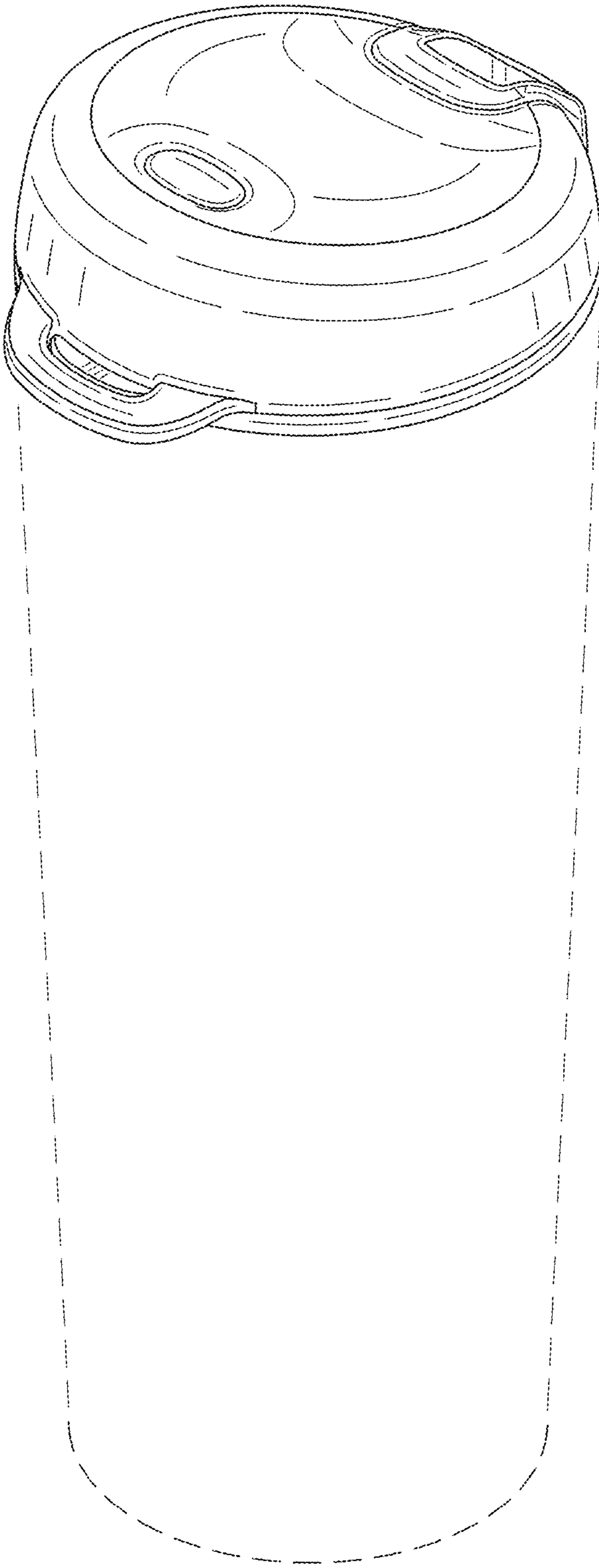


FIG. 1

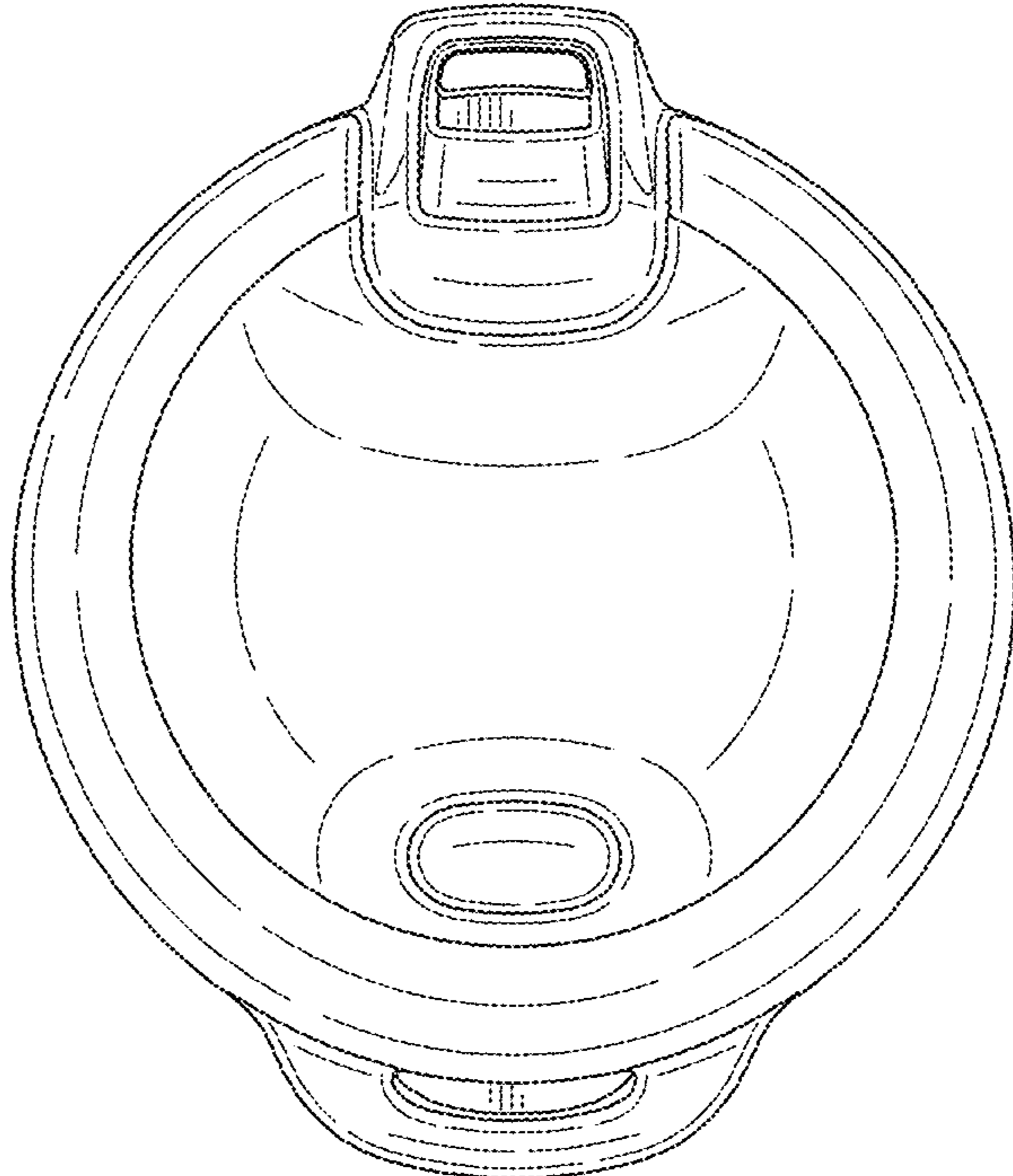


FIG. 3

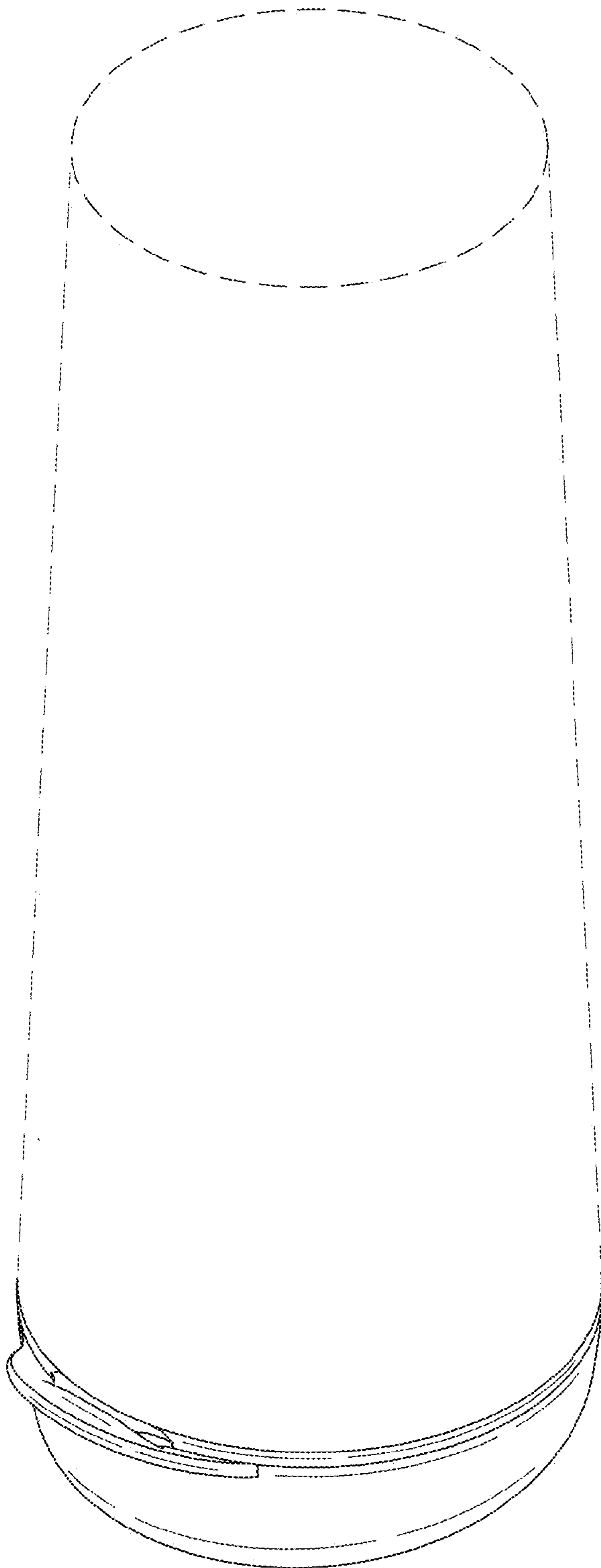
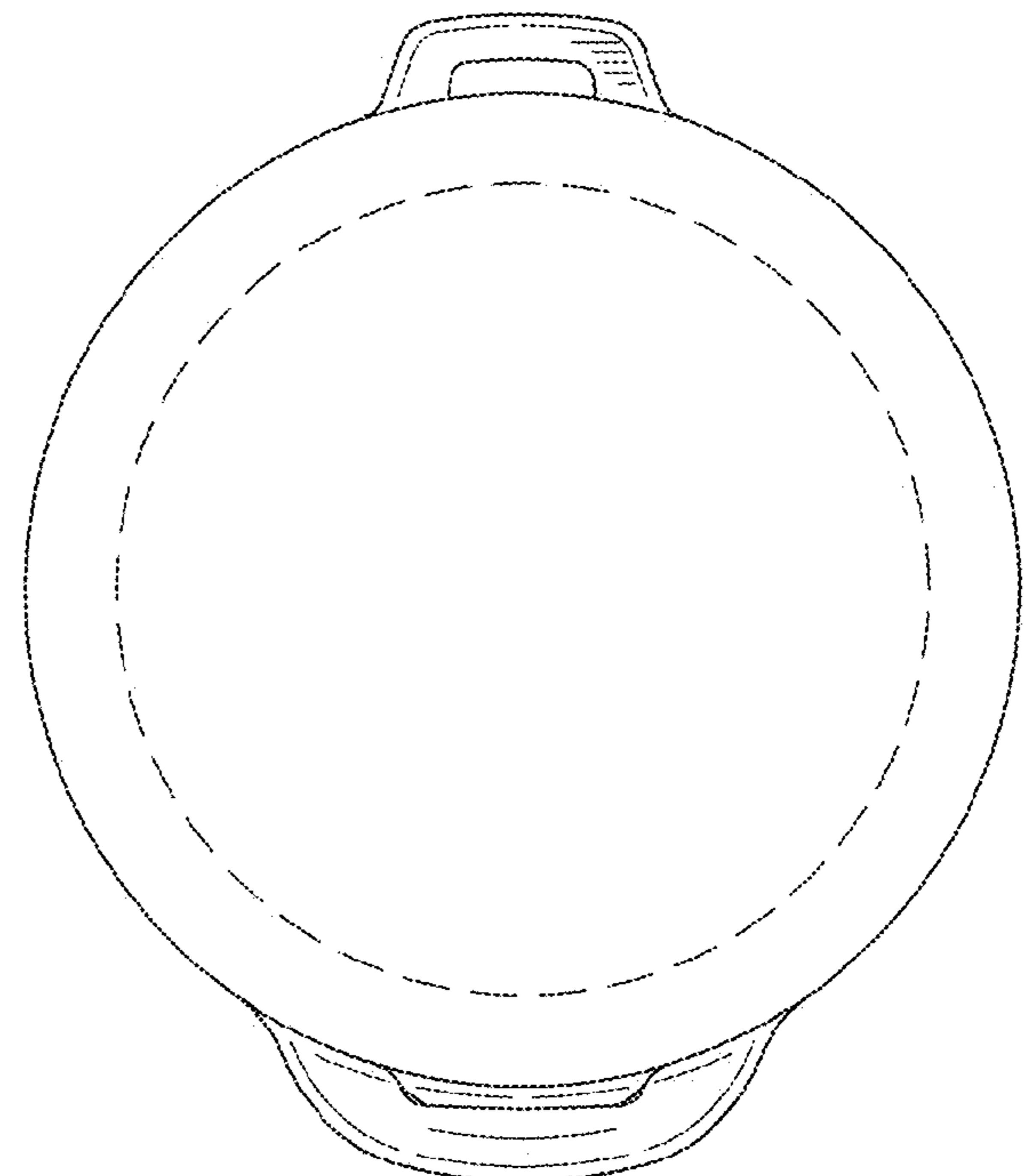


FIG. 2

FIG. 4



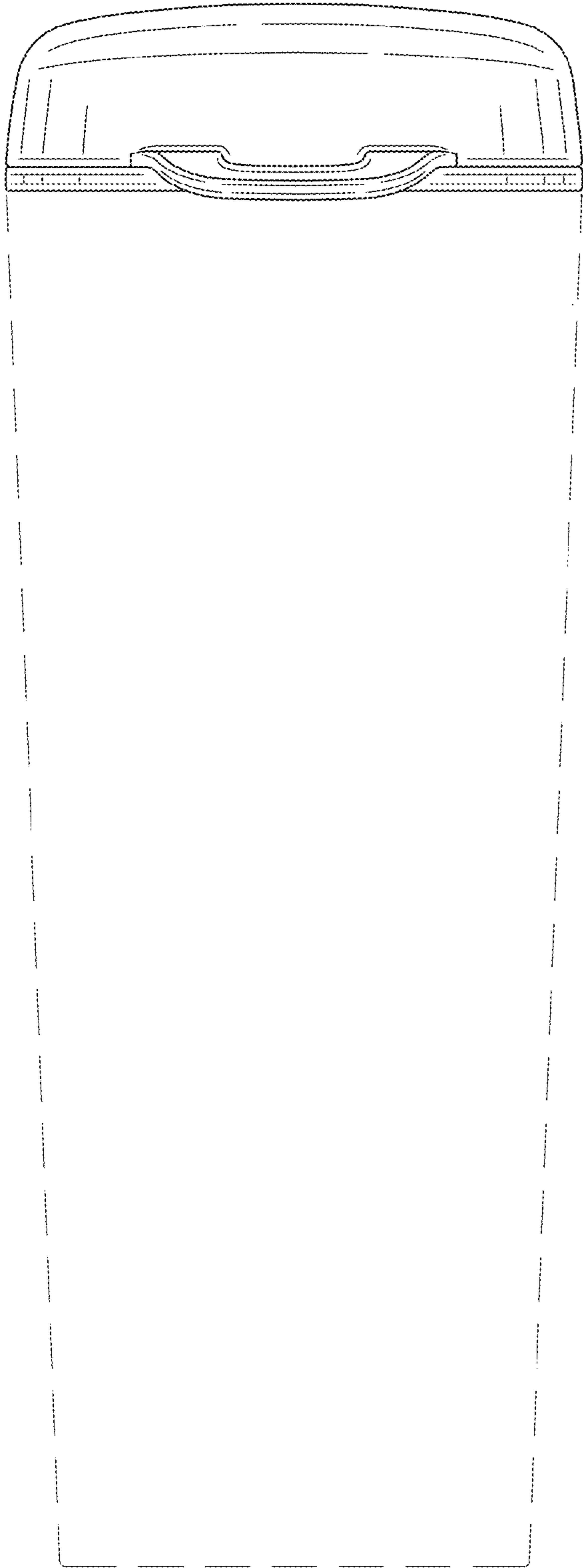


FIG. 5

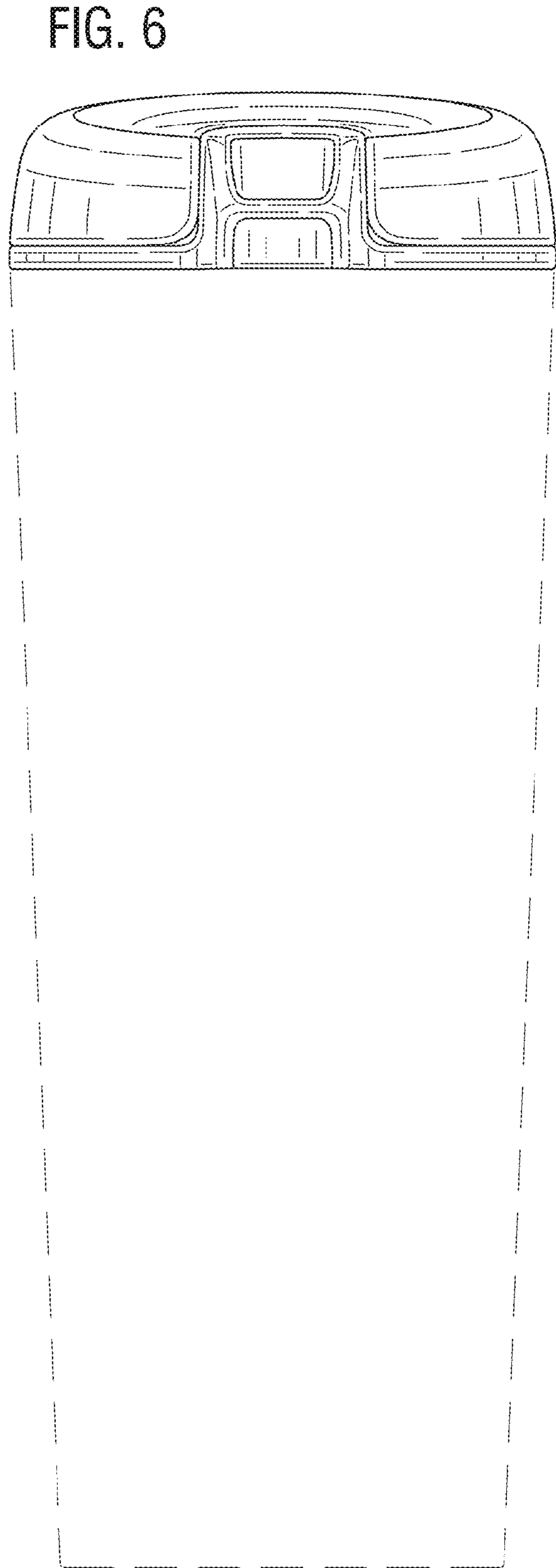


FIG. 6

FIG. 7

