



US00D925972S

(12) **United States Design Patent** (10) **Patent No.:** **US D925,972 S**
Gilmore, III et al. (45) **Date of Patent:** **** Jul. 27, 2021**

(54) **BEVERAGE CONTAINER LID**

(71) Applicant: **Leapfrog Product Development LLC**, Chicago, IL (US)
(72) Inventors: **Glen C. Gilmore, III**, Naperville, IL (US); **Micaela K. McCabe**, Chicago, IL (US); **Steven N. Pinelli**, Ogden Dunes, IN (US); **Derek J. Leatzow**, Chicago, IL (US); **Brian M. Clemens**, Burnsville, MN (US); **Richard E. Ellison**, Chicago, IL (US); **Kurtis M. Sward**, Anna Maria, FL (US)

(73) Assignee: **Leapfrog Product Development LLC**, Chicago, IL (US)

(**) Term: **15 Years**

(21) Appl. No.: **29/683,025**

(22) Filed: **Mar. 11, 2019**

(51) **LOC (13) Cl.** **07-99**

(52) **U.S. Cl.**
USPC **D7/392; D7/392.1**

(58) **Field of Classification Search**
USPC D7/387, 391, 394, 396.2, 509-511, 538, D7/900; D3/201, 202; D9/434, 435, D9/436, 439, 440, 442, 443, 446-450, D9/499, 686
CPC .. A61J 1/00; A61J 1/1412; B65D 1/00; B65D 1/02; B65D 1/10; B65D 1/46; B65D 2585/56; B65D 2585/545; B65D 41/00; B65D 41/38; B65D 41/56; B65D 41/62; B65D 47/00; B65D 47/06; B65D 47/08; B65D 2543/00046; B65D 2543/00092;

(Continued)

(56) **References Cited**

U.S. PATENT DOCUMENTS

D515,357 S 2/2006 Ward et al.
D564,841 S 3/2008 Clemens et al.
D581,727 S 12/2008 Pinelli et al.

(Continued)

OTHER PUBLICATIONS

Zulu, "Atlas20 oz Glass Water Bottle," accessed on-line at: <https://www.zuluathletic.com/shop-all/atlas-glass-water-bottle> (available at least as early as Mar. 11, 2019).

(Continued)

Primary Examiner — Karen S Acker

Assistant Examiner — Steven B Reinholdt, Jr.

(74) *Attorney, Agent, or Firm* — Barnes & Thornburg LLP

(57) **CLAIM**

We claim the ornamental design for a beverage container lid, as shown and described.

DESCRIPTION

FIG. 1 is a top perspective view of the beverage container lid according to the new design.

FIG. 2 is a bottom perspective view of the beverage container lid shown in FIG. 1.

FIG. 3 is a front elevation view of the beverage container lid shown in FIG. 1.

FIG. 4 is a rear elevation view of the beverage container lid shown in FIG. 1.

FIG. 5 is a left side elevation view of the beverage container lid shown in FIG. 1.

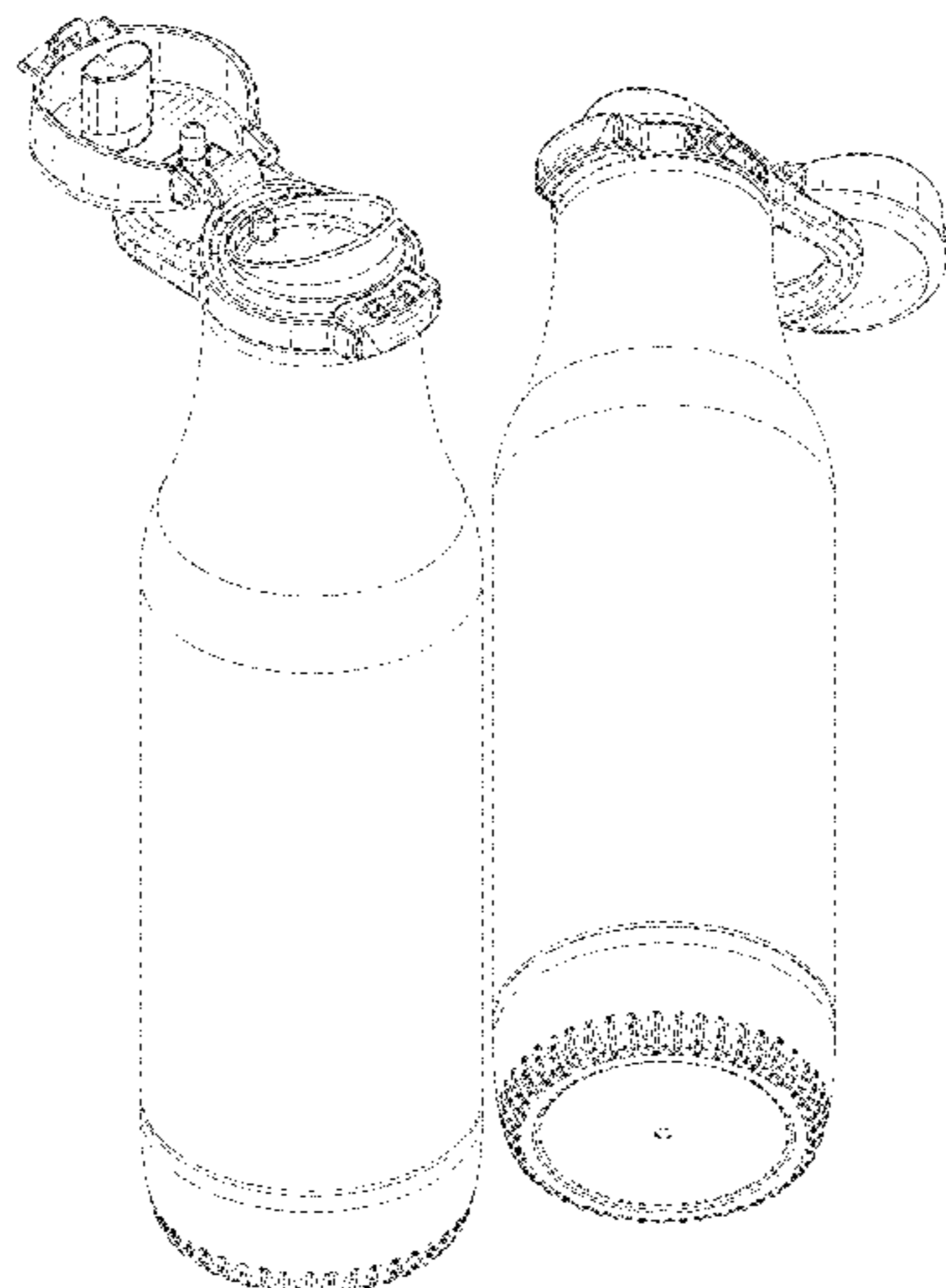
FIG. 6 is a right side elevation view of the beverage container lid shown in FIG. 1.

FIG. 7 is a top plan view of the beverage container lid shown in FIG. 1; and,

FIG. 8 is a bottom plan view of the beverage container lid shown in FIG. 1.

The broken lines in the drawings illustrate portions of the beverage container lid that form no part of the claimed design. The broken lines in the drawings depicting a container as environment form no part of the claimed design.

1 Claim, 8 Drawing Sheets



(58) **Field of Classification Search**
 CPC B65D 2543/00296; B65D 5/46; B65D
 2251/00
 See application file for complete search history.

(56) **References Cited**

U.S. PATENT DOCUMENTS

D592,456	S	5/2009	Pinelli et al.	
D592,905	S	5/2009	Pinelli et al.	
D592,913	S	5/2009	Pinelli et al.	
7,546,933	B2	6/2009	Pinelli	
D609,964	S *	2/2010	Lane	D7/392.1
D643,249	S	8/2011	Miller et al.	
7,997,442	B2	8/2011	Pinelli	
D656,787	S	4/2012	Phillips et al.	
D661,945	S *	6/2012	Eyal	D7/392.1
8,360,267	B1	1/2013	Chiou et al.	
D686,871	S *	7/2013	Lane	D7/392.1
D693,629	S	11/2013	Miller	
D693,630	S	11/2013	Hurley et al.	
8,579,133	B2	11/2013	Marcus et al.	
8,590,731	B2	11/2013	Pinelli	
D700,012	S	2/2014	Hurley et al.	
D700,802	S	3/2014	Miller	
8,978,906	B2	3/2015	Feeley et al.	
D725,966	S *	4/2015	Boroski	D7/511
D739,183	S *	9/2015	Lane	D7/605
9,266,643	B2	2/2016	Marcus et al.	
D785,402	S *	5/2017	Shirley	D7/392.1
D793,804	S *	8/2017	Herbst	D7/392.1
D794,453	S *	8/2017	Boroski	D7/392.1
D818,767	S *	5/2018	Nezu	D7/392.1
D835,939	S *	12/2018	Yee	D7/392.1
D848,787	S *	5/2019	Tatsukawa	D7/392.1
D853,784	S *	7/2019	Wu	D7/392.1
D869,230	S *	12/2019	Hao	D7/392.1
D870,509	S *	12/2019	Bo	D7/392.1
2017/0297785	A1 *	10/2017	Maruyama	A47G 19/2272

OTHER PUBLICATIONS

Kor, “Vida Bottle—25oz,” accessed on-line at: <https://waterbottles.com/kor-vida-bottle-25-oz> (available at least as early as Mar. 11, 2019).

Thermos, “Hydration Bottle with Rotating Intake Meter, 24oz,” accessed on-line at: <https://www.thermos.com/genuine-thermos-brand-hydration-bottle-with-rotating-intake-meter-24oz.html> (available at least as early as Mar. 11, 2019).

Thermos, “Shaker Bottle with Integrated Mixer, 24oz,” accessed on-line at: <https://www.thermos.com/genuine-thermos-brand-shaker-bottle-with-integrated-mixer-24oz-clear-green-accent.html> (available at least as early as Mar. 11, 2019).

Tervis, “Custom Water Bottle,” accessed on-line at: <https://www.tervis.com/turtle-sunset-stainless-steel-24oz-stainless-water-bottle-1362572.html> (available at least as early as Mar. 11, 2019).

Swell, “Bottles,” accessed on-line at: <https://www.swell.com/shop/swell/bottles/> (available at least as early as Mar. 11, 2019).

Tritan, “32 oz Soft Straw Plastic Water Bottle,” accessed on-line at: <http://www.pogogear.com/32oz-tritan-straw> (available at least as early as Mar. 11, 2019).

Tritan, “32oz Chug Plastic Water Bottle,” accessed on-line at: <http://www.pogogear.com/32oz-tritan-chug> (available at least as early as Mar. 11, 2019).

Tritan, “18oz Chug Plastic Water Bottle,” accessed on-line at: <http://www.pogogear.com/18oz-tritan-chug> (available at least as early as Mar. 11, 2019).

Ello, “chi 24oz BPA-Free Tritan Plastic Water Bottle,” accessed on-line at: <https://www.elloproducts.com/water-bottles/chi-24oz-plastic-water-bottle> (available at least as early as Mar. 11, 2019).

Ello, “Dash 16oz 2pk Tritan Plastic Water Bottles,” accessed on-line at: <https://www.elloproducts.com/kids/dash-16oz-tritan-plastic-water-bottle> (available at least as early as Mar. 11, 2019).

Ello, “Cru Stemless Wine glass Set with Silicone Protection,” accessed on-line at: <https://www.elloproducts.com/tumblers/cru-stemless-wine-glass-set-with-silicone-protection> (available at least as early as Mar. 11, 2019).

Ello, “Elsie 22oz Glass Water Bottle,” accessed on-line at: <https://www.elloproducts.com/water-bottles/elsie-22oz-glass-water-bottle> (available at least as early as Mar. 11, 2019).

Ello, “Beacon 24oz Vacuum Insulated Stainless Tumbler,” accessed on-line at: <https://www.elloproducts.com/tumblers/beacon-24oz-vacuum-insulated-stainless-tumbler> (available at least as early as Mar. 11, 2019).

Ello, “Rise 12oz Vacuum Insulated Stainless Steel Tumbler with Optional Straw,” accessed on-line at: <https://www.elloproducts.com/kids/rise-12oz-vacuum-insulated-stainless-steel-tumbler> (available at least as early as Mar. 11, 2019).

Ello, “Hammertime 18oz Stainless Steel Travel Mug,” accessed on-line at: <https://www.elloproducts.com/travel-mugs/hammertime-18oz-vacuum-insulated-stainless-steel-travel-mug> (available at least as early as Mar. 11, 2019).

Ello, “Pure 20oz Glass Water Bottle,” accessed on-line at: <https://www.elloproducts.com/water-bottles/pure-20oz-glass-water-bottle> (available at least as early as Mar. 11, 2019).

Ello, “Max 12oz Vacuum-Insulated Stainless Steel Kids Water Bottle,” accessed on-line at: <https://www.elloproducts.com/kids/max-12oz-vacuum-insulated-stainless-steel-kids-water-bottle> (available at least as early as Mar. 11, 2019).

Ello, “Syndicate 20oz Glass Water Bottle,” accessed on-line at: <https://www.elloproducts.com/water-bottles/syndicate-20oz-glass-water-bottle> (available at least as early as Mar. 11, 2019).

Camelbak, “Eddy+ 1L Bottle,” accessed on-line at: https://www.camelbak.com/en/bottles/R02056--Eddy_75L_2019?color=6bbd0584f3a64b0eb30d406f7e03797e (available at least as early as Mar. 11, 2019).

Contigo, “Autoseal West Loop 2.0 Stainless,” accessed on-line at: <https://www.gocontigo.com/20-oz-autoseal-west-loop-stainless-travel-mug-with-easy-clean-lid.html> (available at least as early as Mar. 11, 2019).

Contigo, “Autospout Straw Striker Chill,” accessed on-line at: <https://www.gocontigo.com/14-oz-autospout-striker-kids-water-bottle.html> (available at least as early as Mar. 11, 2019).

Zojirushi, “Travel Mug SM-YAE48,” accessed on-line at: <https://www.zojirushi.com/app/product/smyae> (available at least as early as Mar. 11, 2019).

Zojirushi, “Stainless Mug SM-KC3648,” accessed on-line at: <https://www.zojirushi.com/app/product/smkc> (available at east as early as Mar. 11, 2019).

Zojirushi, “Stainless Bottle SJ-JS10,” accessed on-lien at: <https://www.zojirushi.com/app/product/sjjs> (available at least as early as Mar. 11, 2019).

Zojirushi, “Flip-and-Go Stainless Mug SM-QHE48/60,” accessed on-line at: <https://www.zojirushi.com/app/product/smqhe> (available at least as early as Mar. 11, 2019).

Zojirushi, “Stainless Mug SM-TAE48SA, Ichimatsu Collection,” accessed on-line at: <https://www.zojirushi.com/app/product/smtae> (available at least as early as Mar. 11, 2019).

Zojirushi, “Stainless Mug SM-TA36/48/60,” accessed on-line at: <https://www.zojirushi.com/app/product/smta> (available at least as early as Mar. 11, 2019).

Zojirushi, “Stainless Mug SM-SE36/48/60,” accessed on-line at: <https://www.zojirushi.com/app/product/smse> (available at least as early as Mar. 11, 2019).

Zojirushi, “Stainless Mug SM-SD36/48/60,” accessed on-line at: <https://www.zojirushi.com/app/product/smsd> (available at least as early as Mar. 11, 2019).

Zojirushi, “Stainless Mug SM-SHE48/60,” accessed on-line at: <https://www.zojirushi.com/app/product/smshe> (available at least as early as Mar. 11, 2019).

Zojirushi, “Stainless Mug SM-KHE36/48,” accessed on-line at: <https://www.zojirushi.com/app/product/smkhe> (available at least as early as Mar. 11, 2019).

Zojirushi, “Stainless Mug SM-SC36/48/60” accessed on-line at: <https://www.zojirushi.com/app/product/smsc> (available at least as early as Mar. 11, 2019).

(56)

References Cited

OTHER PUBLICATIONS

Zojirushi, "Stainless Mug SM-KC36/48," accessed on-line at: <https://www.zojirushi.com/app/product/smkc> (available at least as early as Mar. 11, 2019).

Zojirushi, "Stainless Mug SM-PC20/30," accessed on-line at: <https://www.zojirushi.com/app/product/smpc> (available at least as early as Mar. 11, 2019).

Zojirushi, "Stainless Mug SM-PB30/34," accessed on-line at: <https://www.zojirushi.com/app/product/smpb> (available at least as early as Mar. 11, 2019).

Migo, "Enjoy Sport Water Bottle," accessed on-line at: <https://www.pinterest.ru/pin/12666442685646757/> (available at least as early as Mar. 11, 2019).

Coleman, "Switch SS," accessed on-line at: https://www.coleman.com/all-camp-kitchen/drinkware/switch-ss/col_2038485_pr/COL_2038485 (available at least as early as Mar. 11, 2019).

Corkcicle, "Classic Arctican," accessed on-line at: <https://corkcicle.com/products/classic-arctican?variant=475182759951> (available at least as early as Mar. 11, 2019).

* cited by examiner

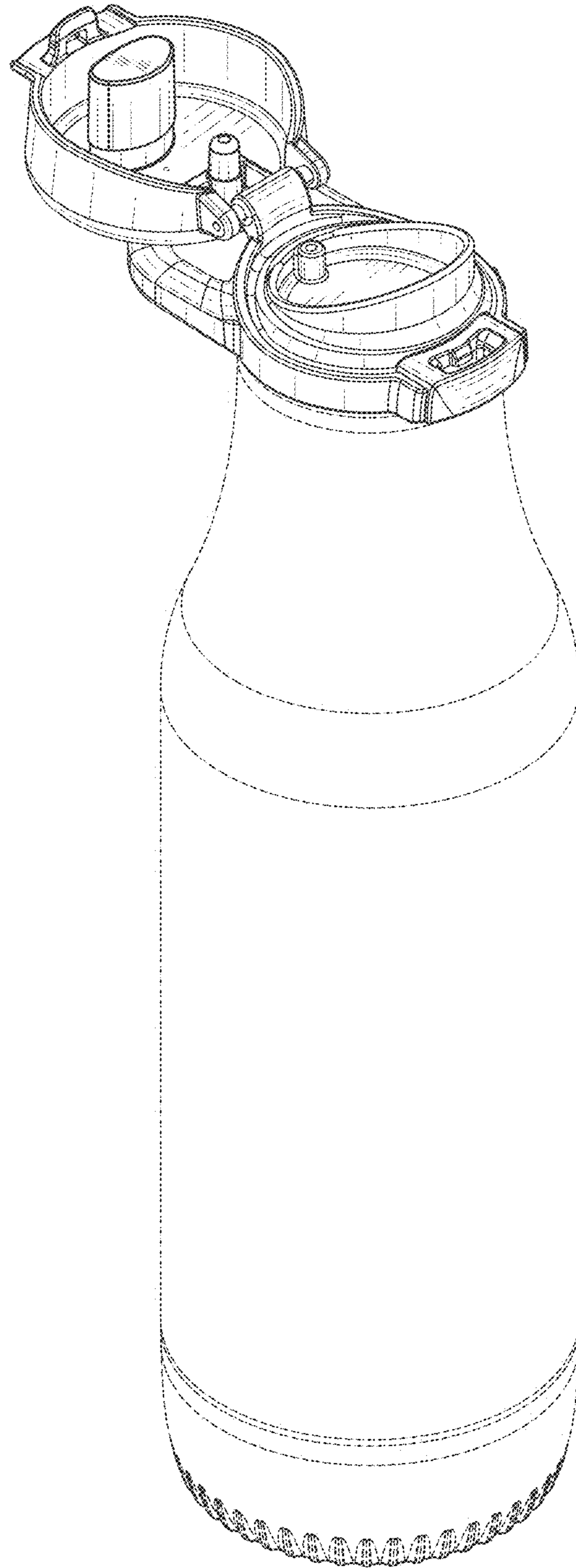


FIG. 1

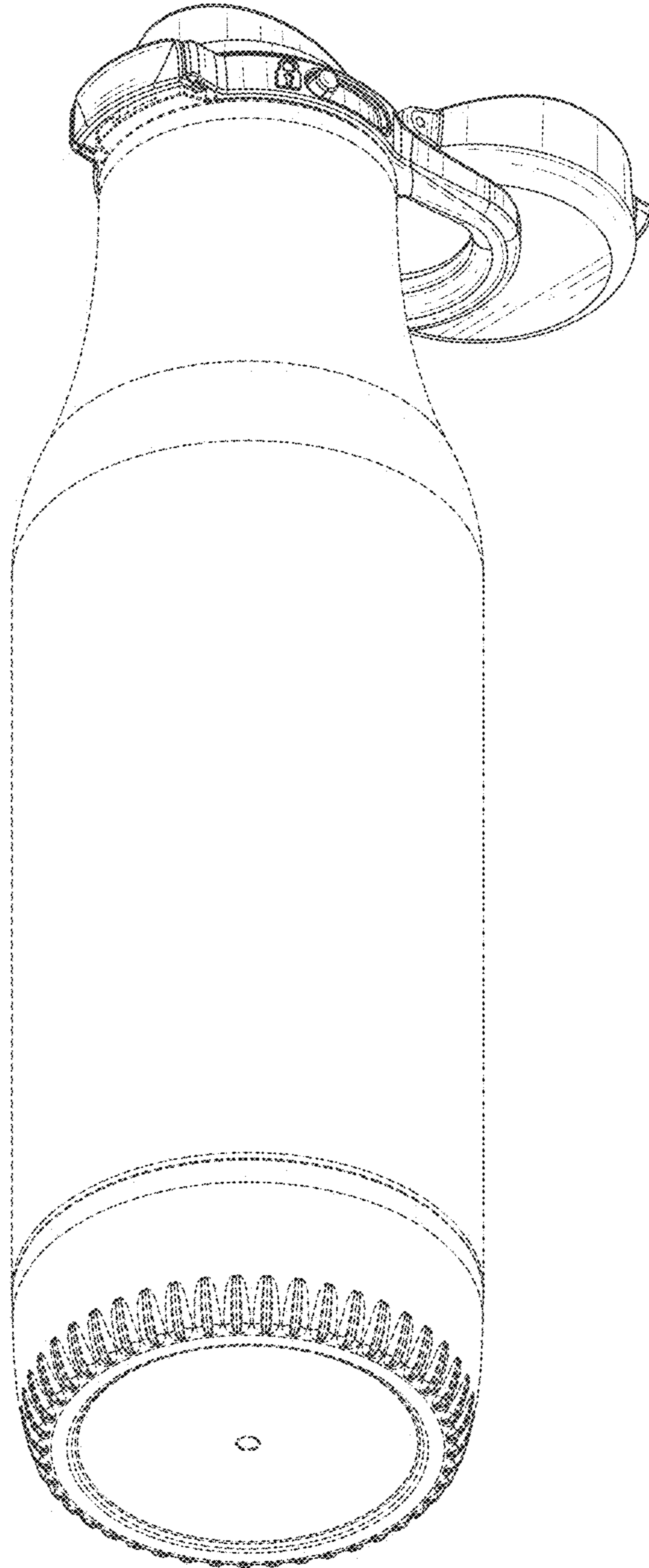


FIG. 2

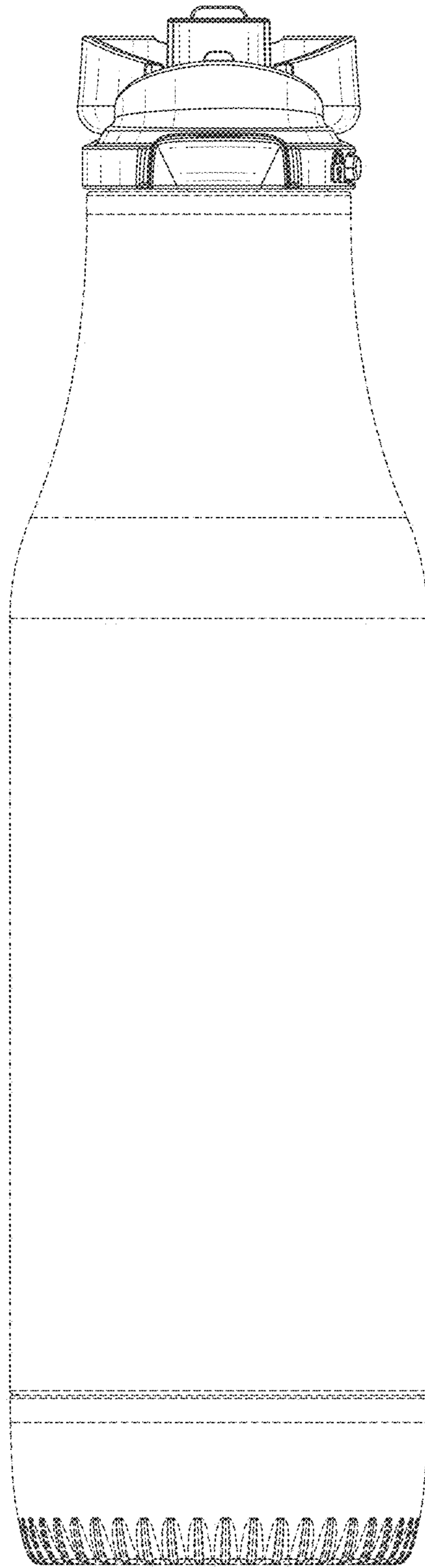


FIG. 3



FIG. 4

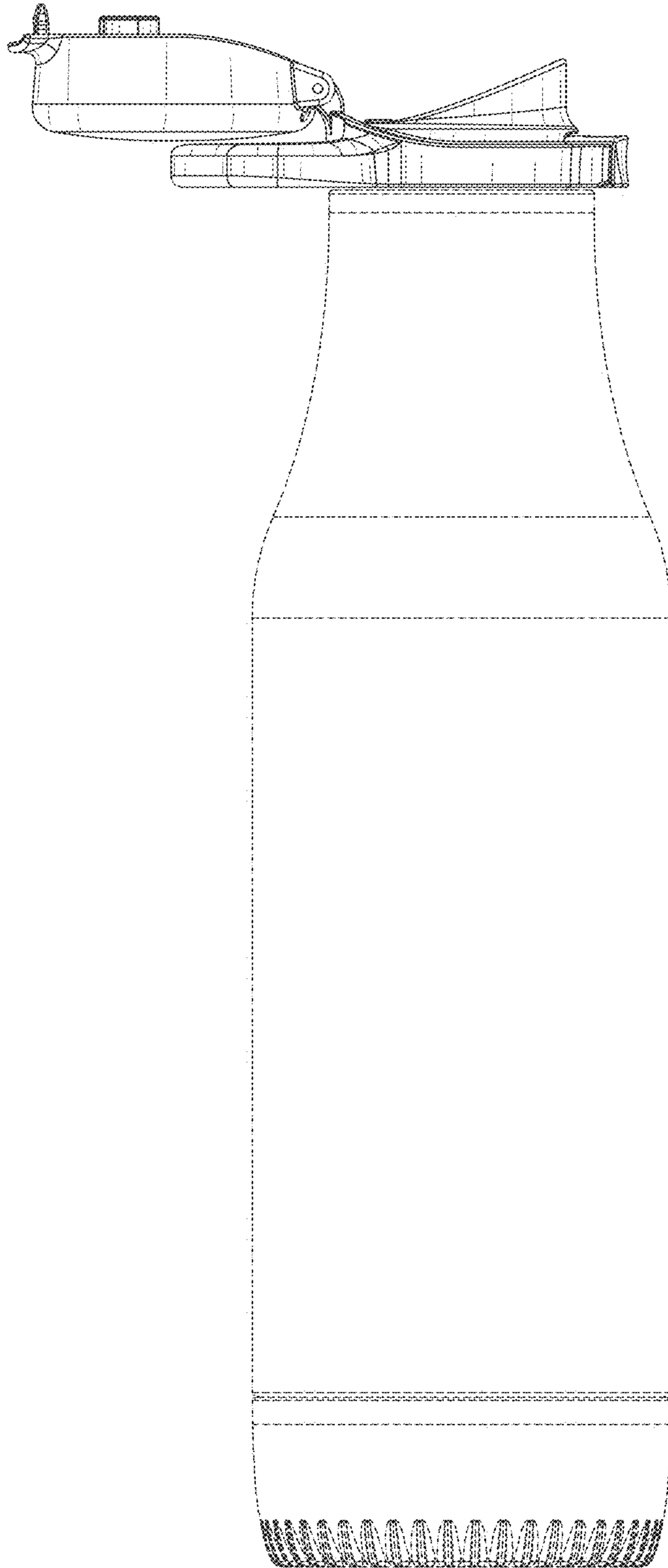


FIG. 5

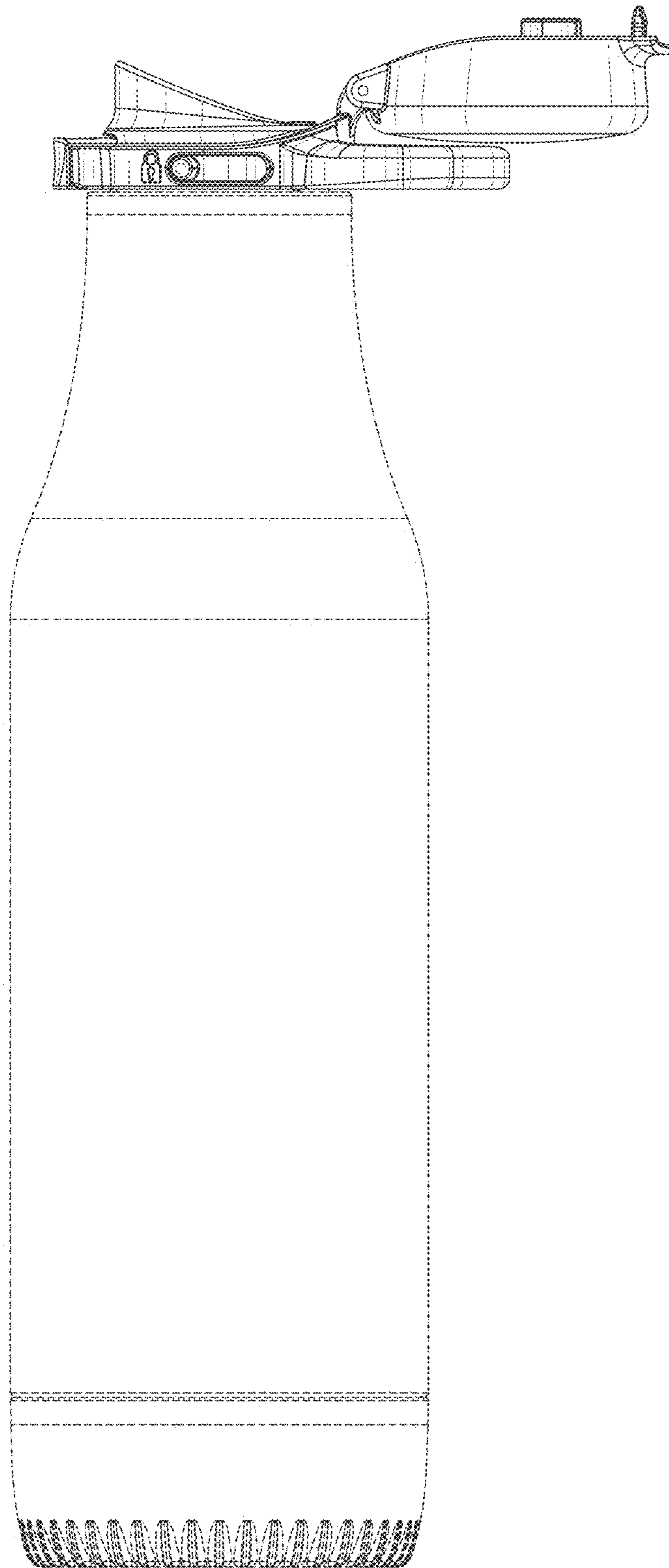


FIG. 6

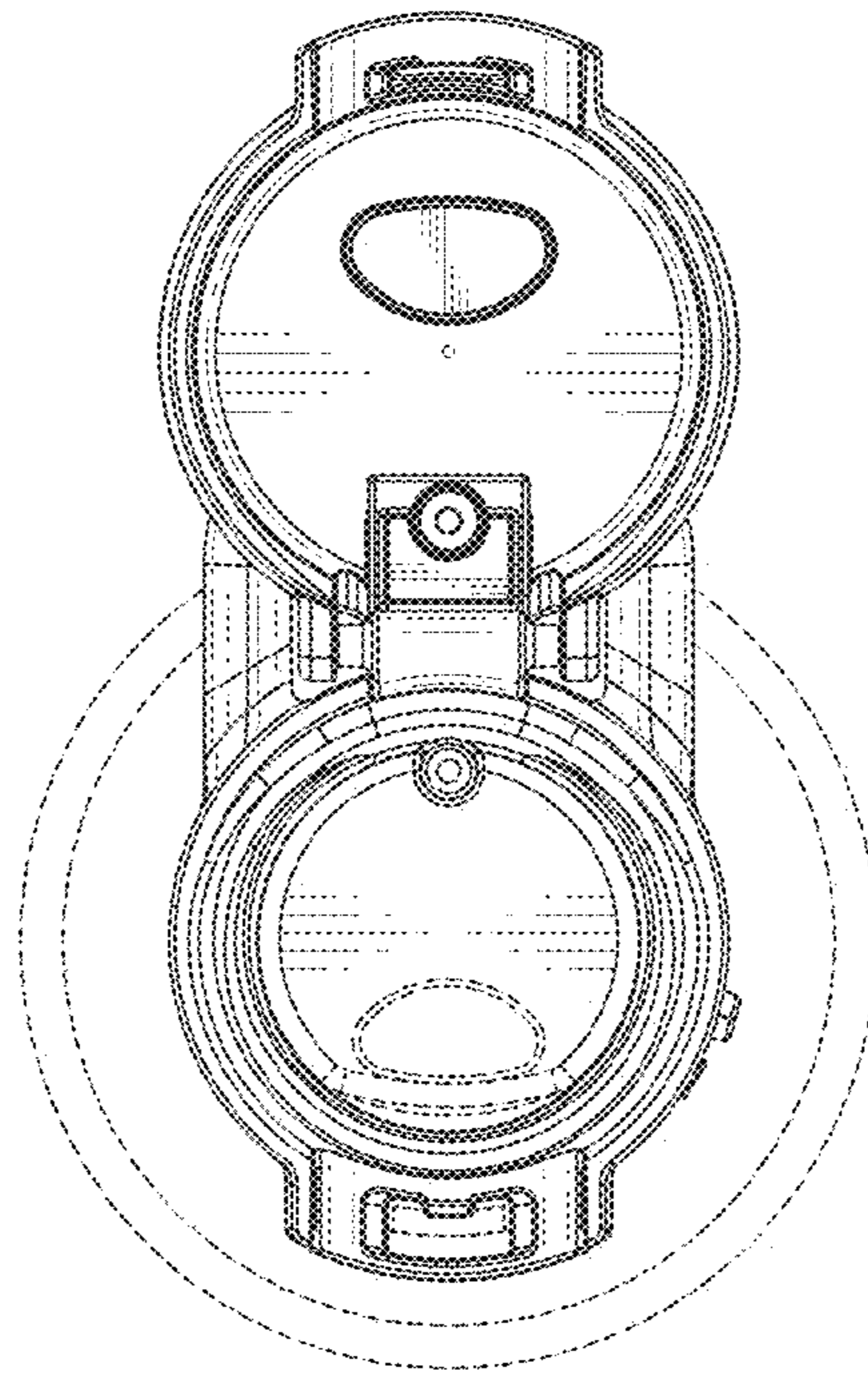


FIG. 7

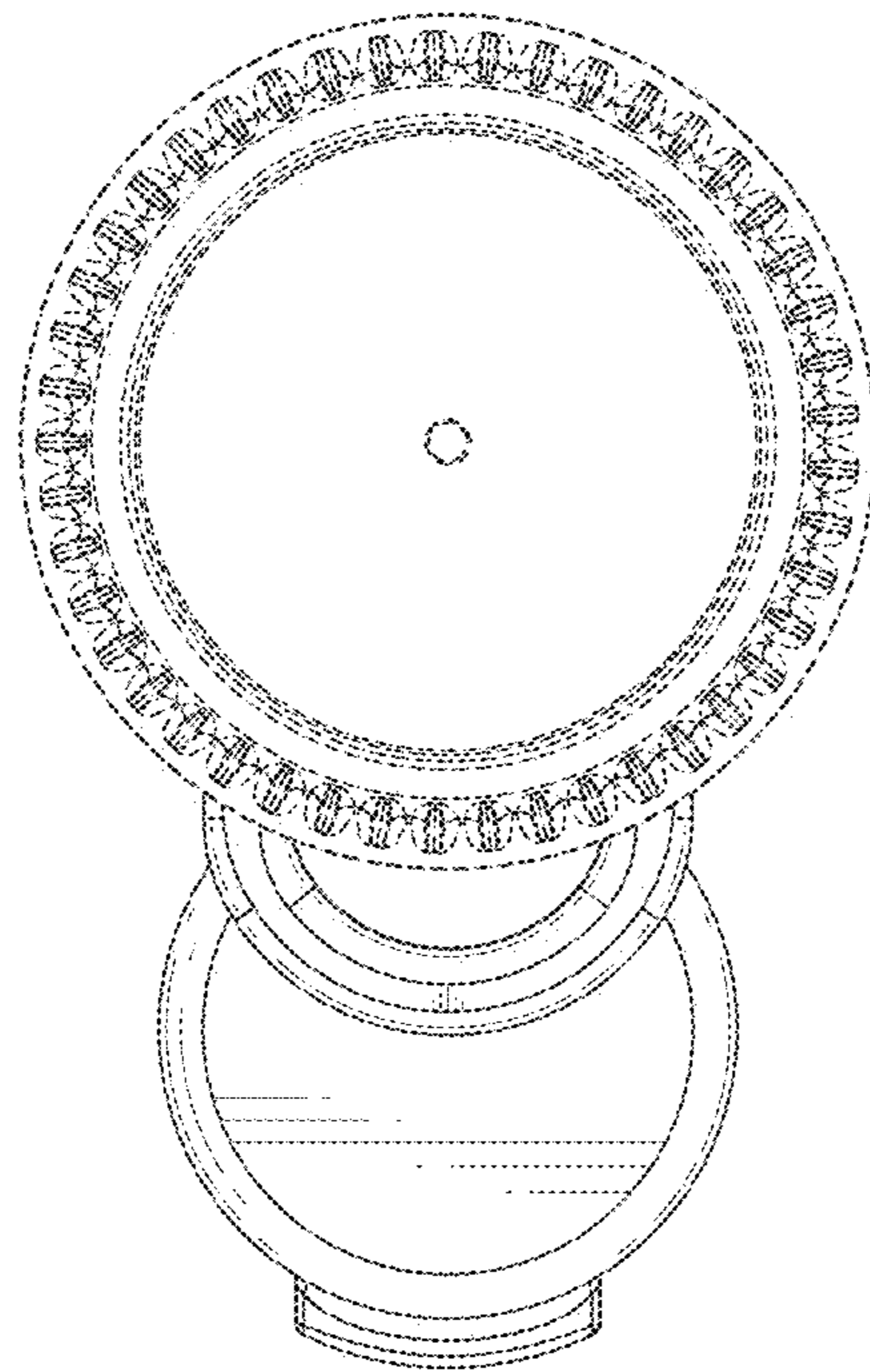


FIG. 8